



# INSTALLATION INSTRUCTIONS

Accessory  
**RUNNING BOARDS**

Application  
**2024 RIDGELINE  
MODEL SERIES**

Publications No.  
**VERSION 1**

Issue Date  
**FEB 2024**

## PARTS LIST

### Running Boards with Light Kit P/N 08L33-T6Z-100D

Left running board



Right running board



Left bracket A



Right bracket A



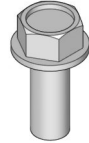
Left bracket C



Right bracket C



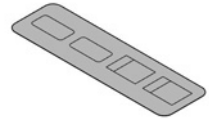
16 Flange bolts



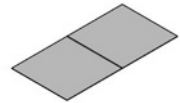
19 Wire ties  
(Some may not be used.)



Fuse label



2 Aluminum tapes



### Running Boards without Light Kit P/N 08L33-T6Z-100C P/N 08L33-T6Z-P00C

Left running board



Right running board



Left bracket A



Right bracket A



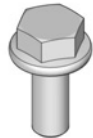
Left bracket C



Right bracket C



16 Flange bolts



### TOOLS AND SUPPLIES REQUIRED

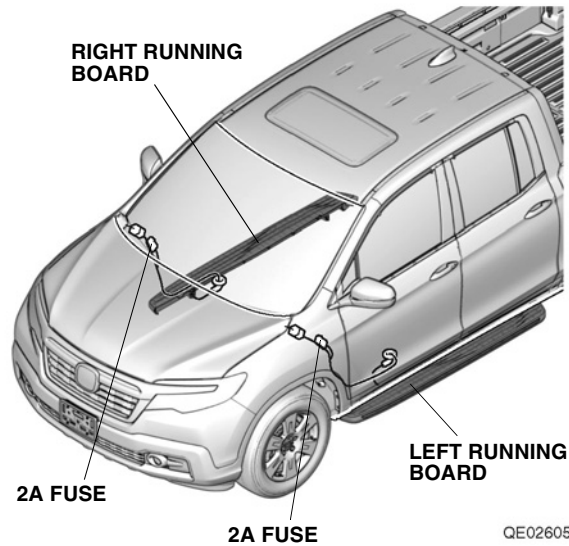
- Ratchet
- 10 mm Open end wrench
- Isopropyl alcohol
- Shop towel
- File
- 13 mm Socket
- Torque wrench
- Utility knife
- Diagonal cutters
- Touch-up paint

*The following tool is available through the Honda Tool and Equipment Program. On the iN, click on: Service > Service Bay > Tool and Equipment Program, then enter the number under "Search." Or, call 888-424-6857.*

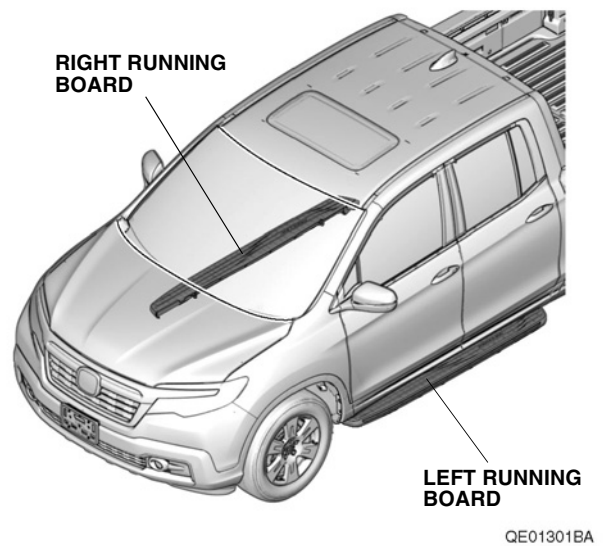
Trim Tool Set (T/N SOJATP2014)

### Illustration of the Running Boards on the Vehicle

#### RUNNING BOARDS WITH LIGHT



#### RUNNING BOARDS WITHOUT LIGHT



## INSTALLATION

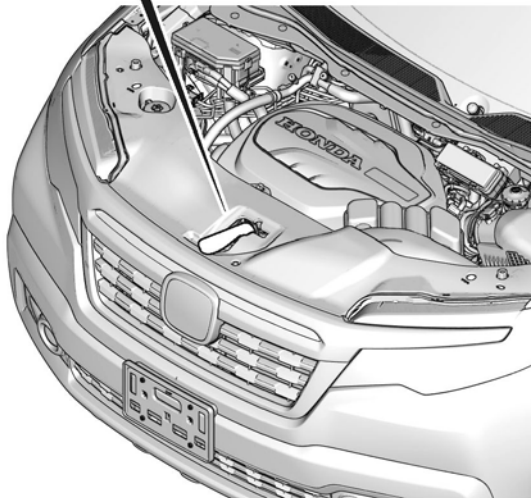
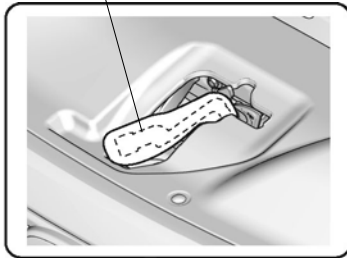
**Customer Information:** The information in this installation instruction is intended for use only by skilled technicians who have the proper tools, equipment, and training to correctly and safely add equipment to your vehicle. These procedures should not be attempted by “do-it-yourselfers.”

If installing the running boards with light kit, continue with step 1; If installing the running boards without light kit, go to step 9.

### Running boards with light kit

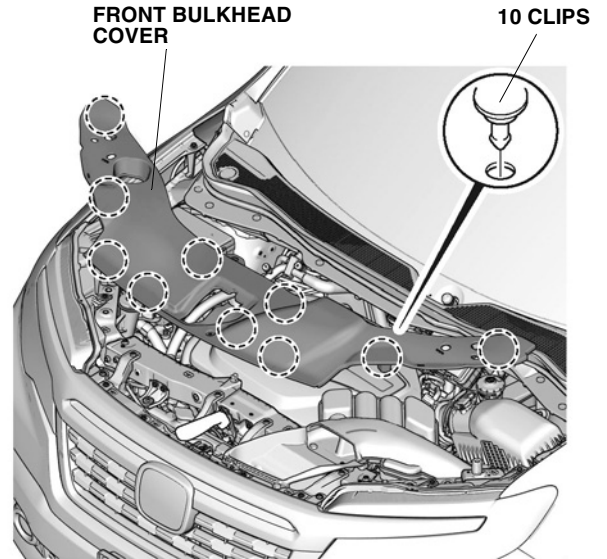
1. Disconnect the negative cable from the battery:
  - Wrap a shop towel around the hood latch.

**HOOD LATCH**  
(Wrap with a shop towel.)



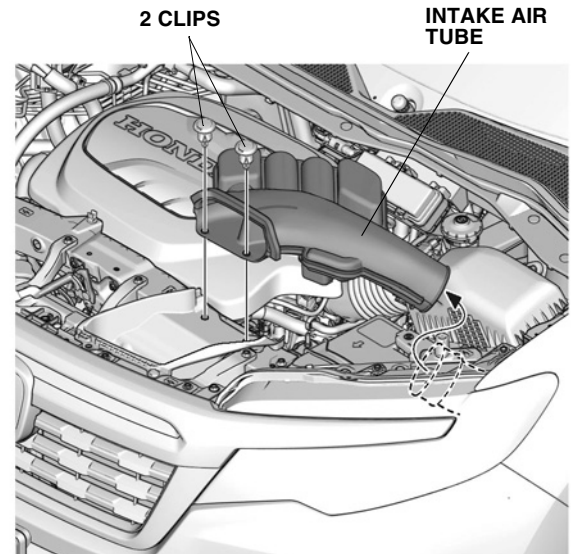
QE01402BB

- Remove the front bulkhead cover (10 clips).



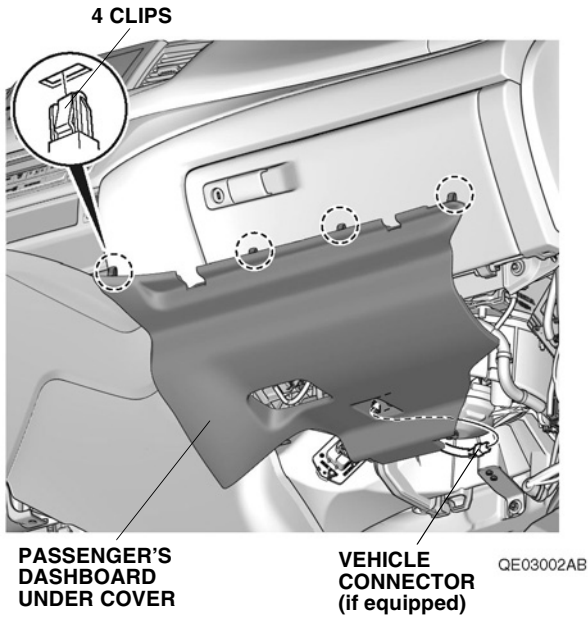
QE01403AB

- Remove the intake air tube (two clips).
- Disconnect the negative cable from the battery.

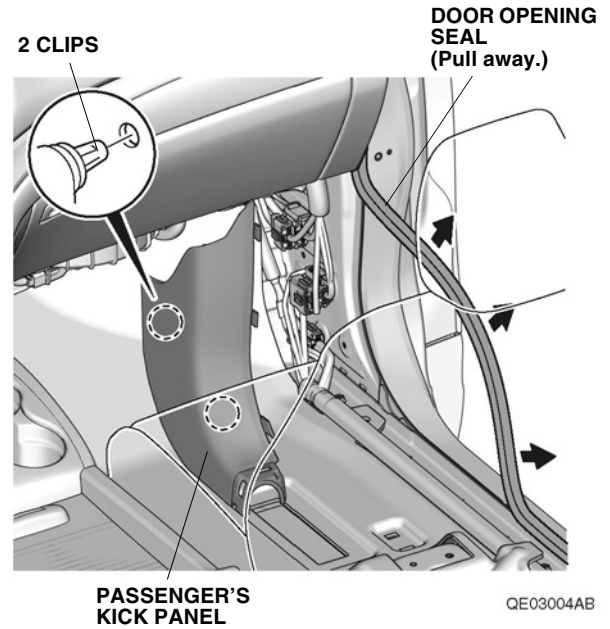


QE01404AB

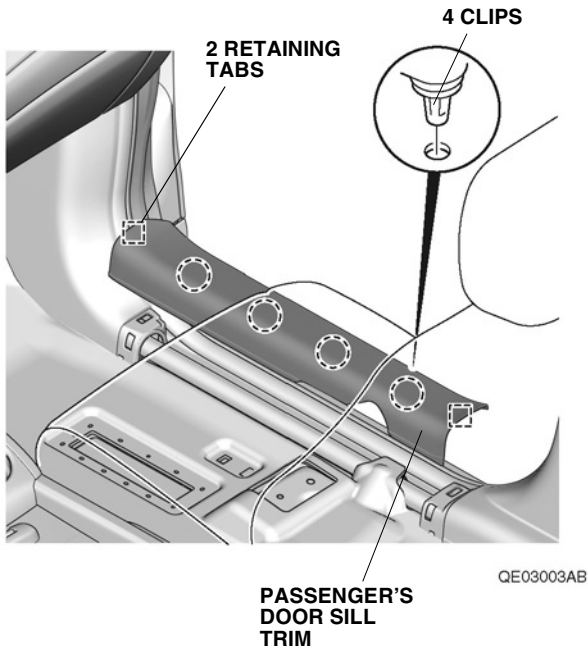
- Remove the passenger's dashboard under cover (four clips and unplug the vehicle connector if equipped).



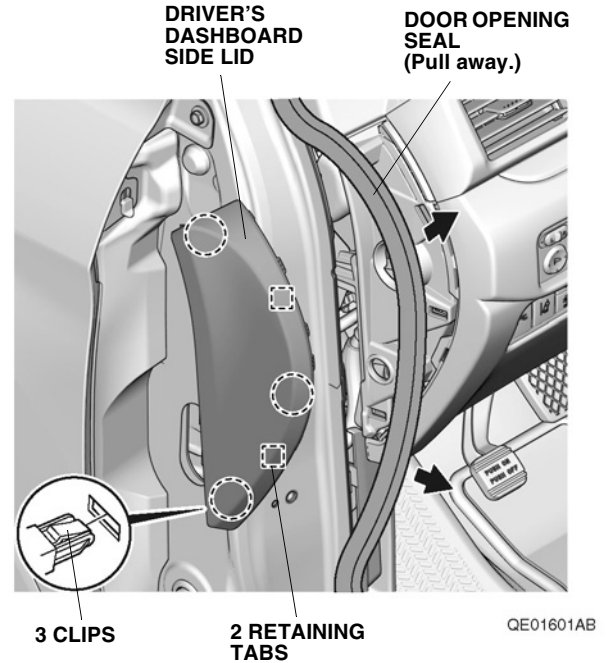
- Pull away the door opening seal and remove the passenger's kick panel (two clips).



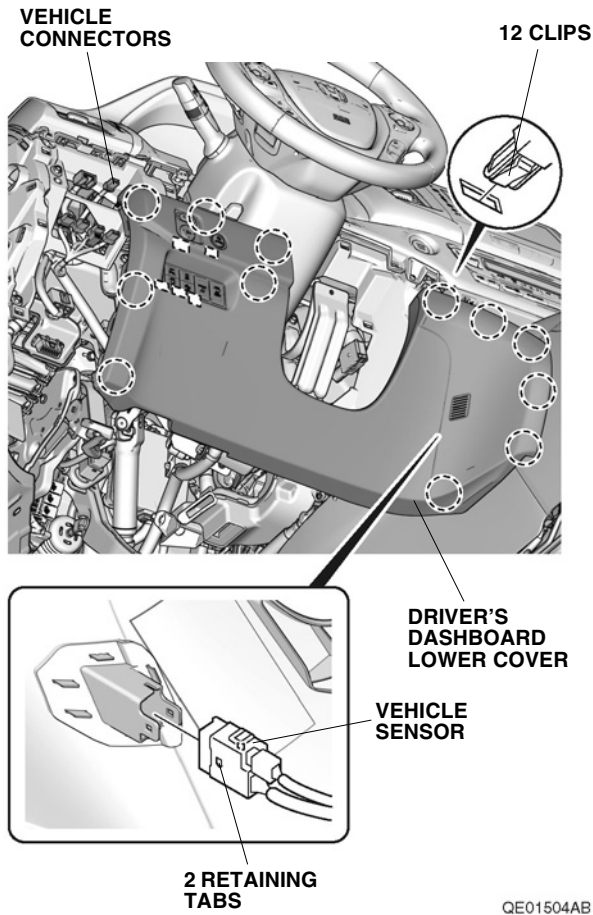
- Remove the passenger's door sill trim (two retaining tabs and four clips).



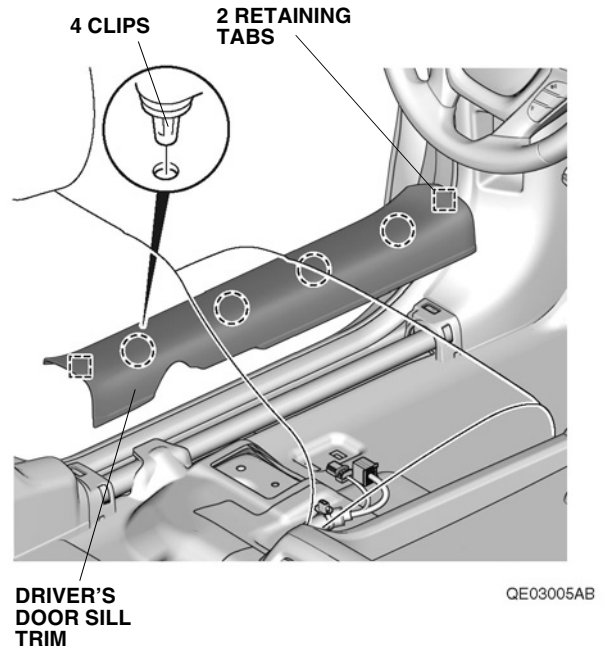
- Pull away the door opening seal and remove the driver's dashboard side lid (three clips and two retaining tabs).



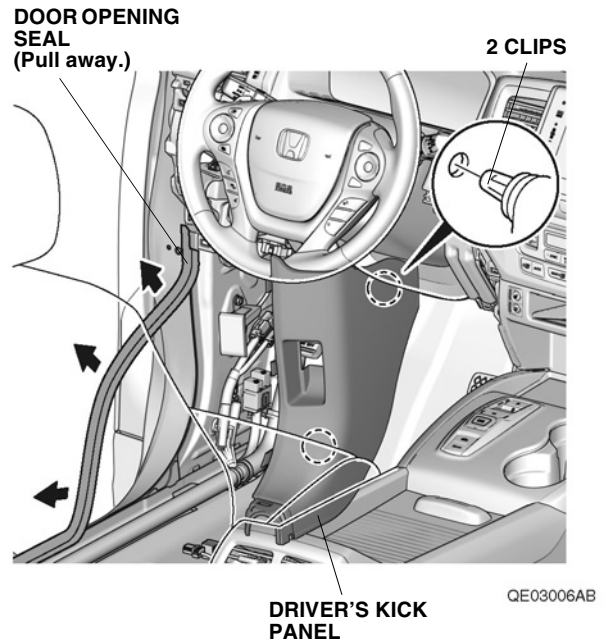
- Remove the driver's dashboard lower cover (12 clips, unplug the vehicle connectors, and release the vehicle sensor).



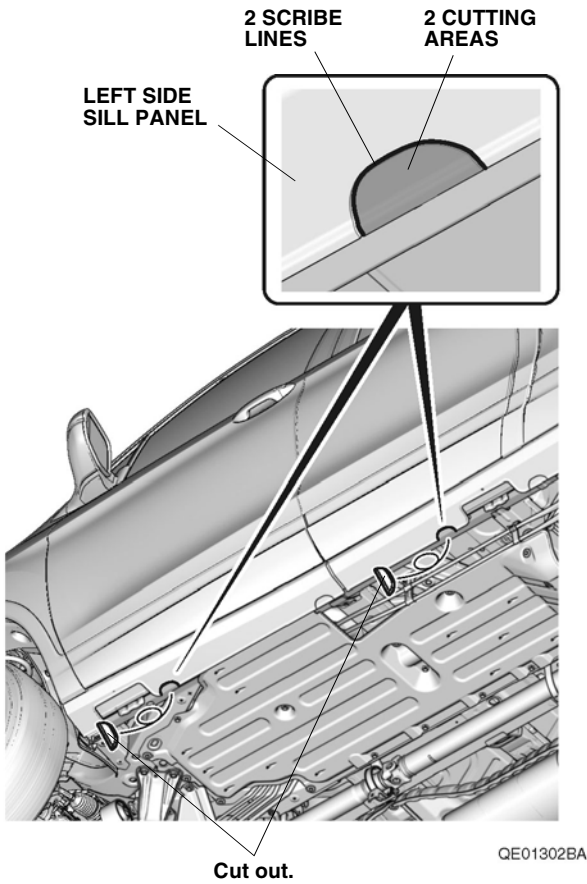
- Remove the driver's door sill trim (two retaining tabs and four clips).



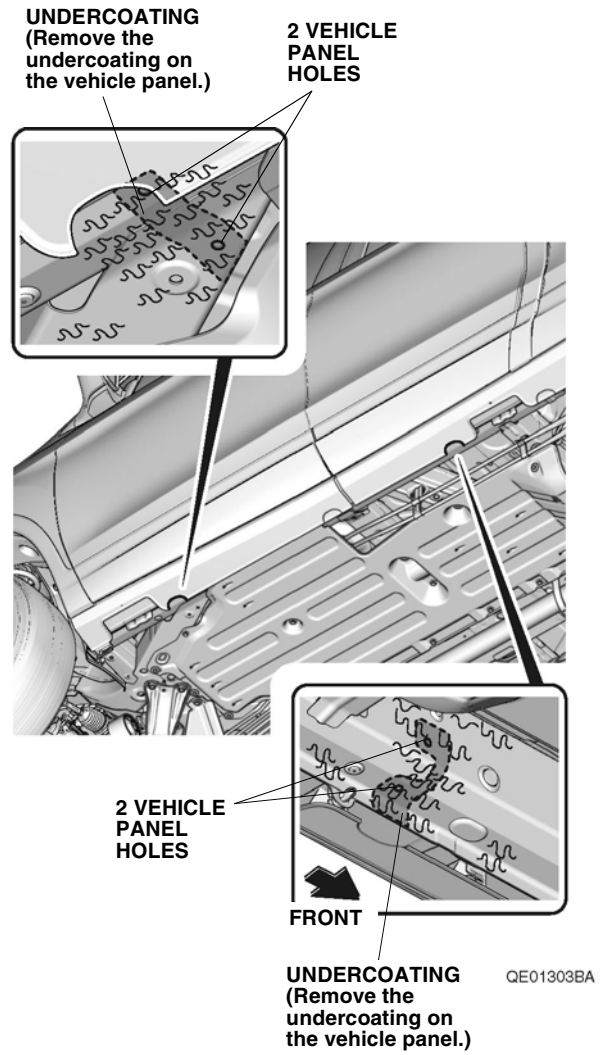
- Pull away the door opening seal and remove the driver's kick panel (two clips).



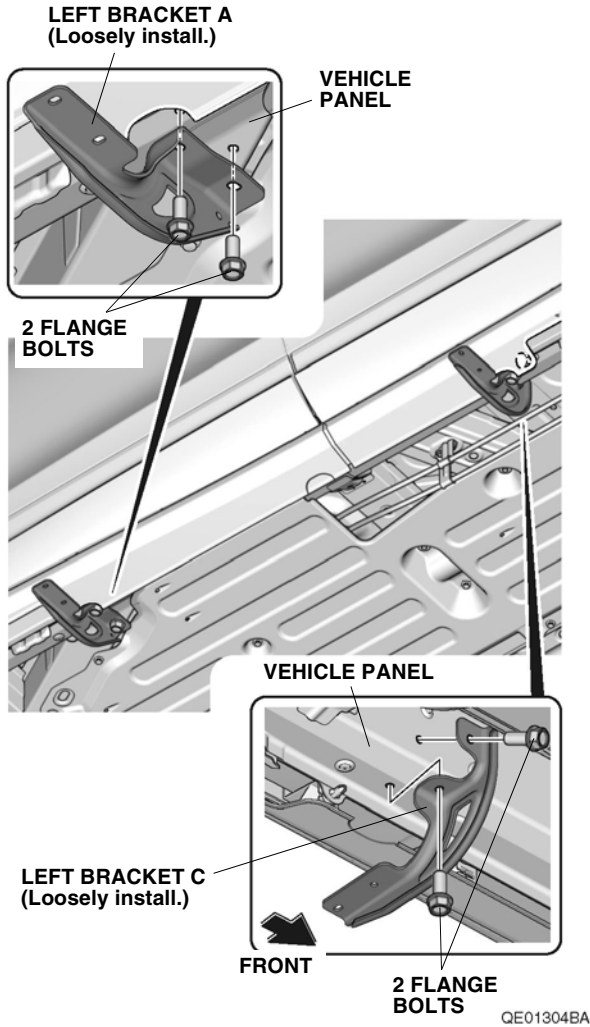
- Using a utility knife, cut out the left side sill panel as shown. Remove any burrs.



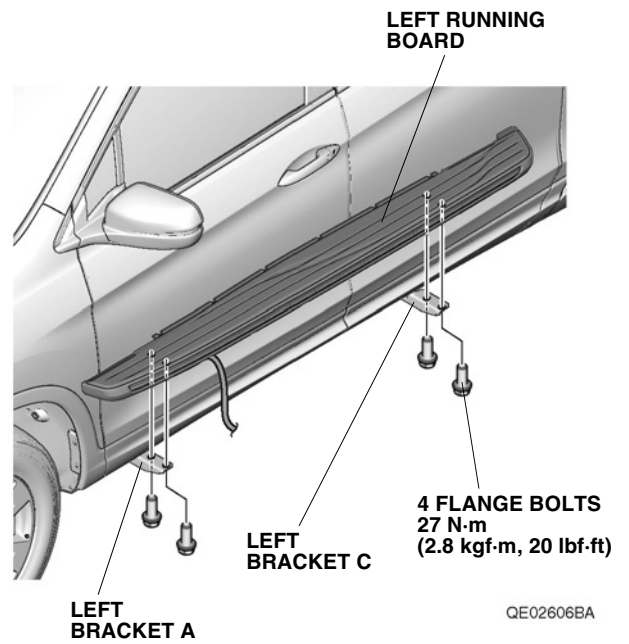
- Remove the undercoating as shown. Apply touch-up paint where you removed the undercoating and allow it to dry thoroughly.



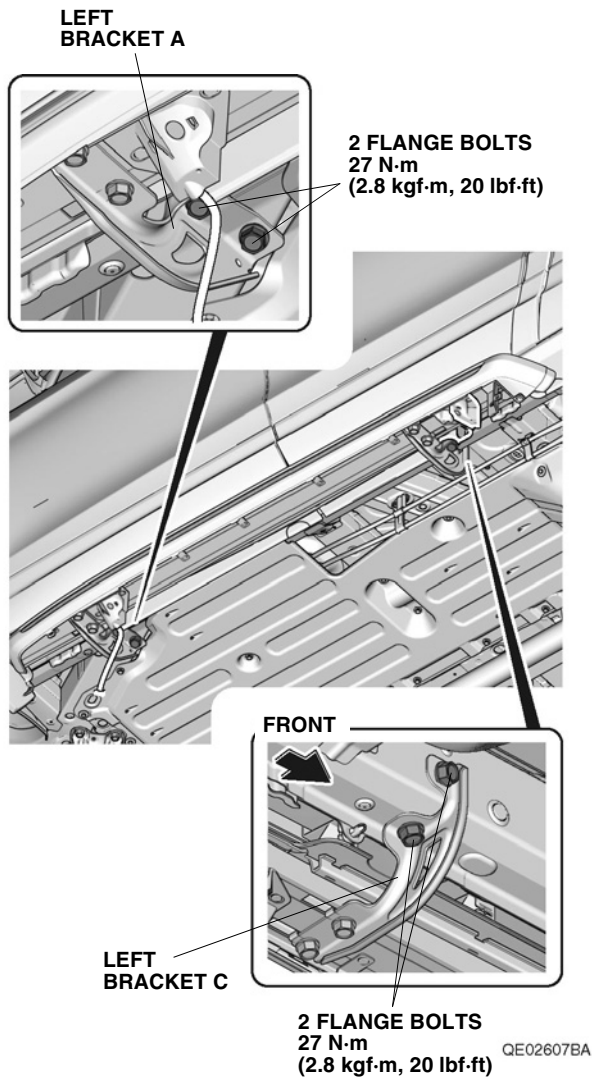
- Loosely install left bracket A and left bracket C to the vehicle panel with the four flange bolts.  
NOTE: Make sure that the brackets are installed in the correct positions and orientations.



- With the help of an assistant, install the left running board to the left bracket A and left bracket C with four flange bolts. Torque the flange bolts to 27 N·m (2.8 kgf·m, 20 lbf·ft).



- Tighten the four flange bolts loosely installed in step 11. Torque the flange bolts to 27 N·m (2.8 kgf·m, 20 lbf·ft).



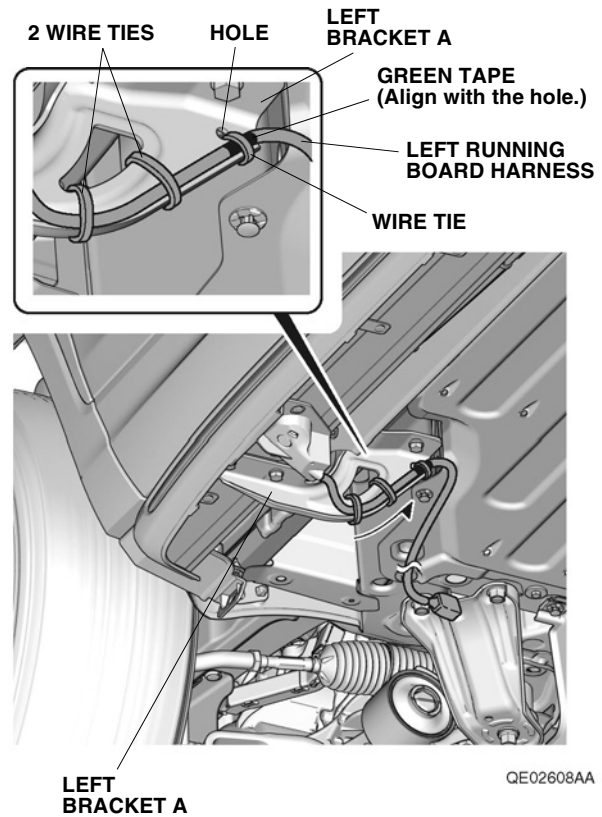
If installing the running boards without light kit, continue with 14; If installing the running boards with light kit, go to step 15.

### Running boards without light kit

- Repeat steps 9 through 13 on the right side of the vehicle.

### Running boards with light kit

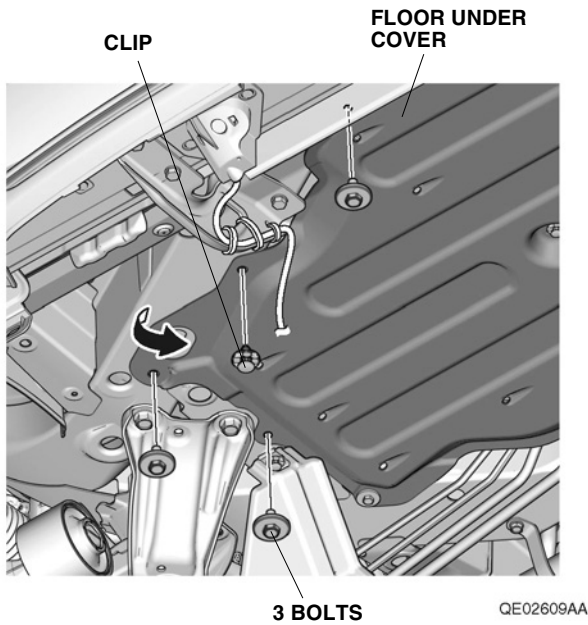
- Align the green tape on the left running board harness with the hole on left bracket A and secure the left running board harness to left bracket A with one wire tie.



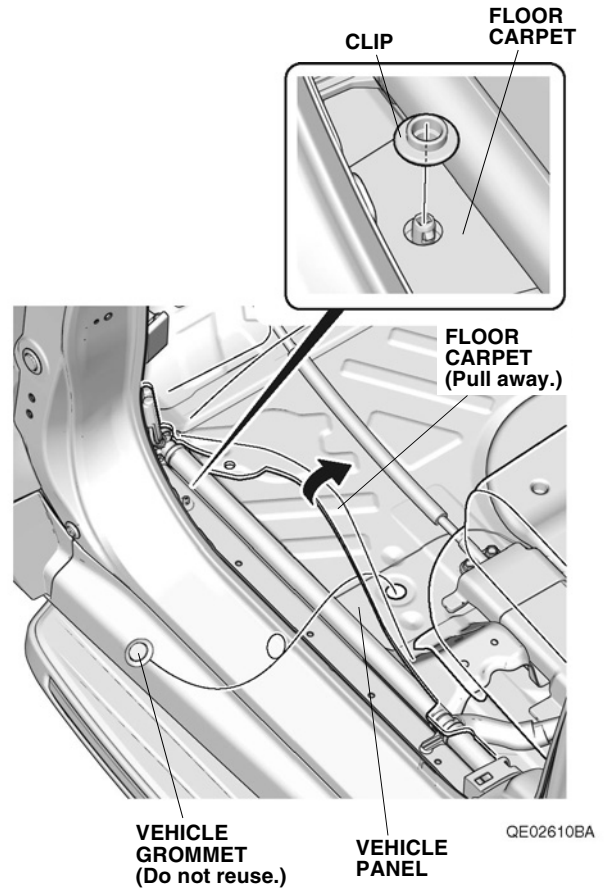
- Secure the left running board harness to left bracket A with two wire ties.
- Repeat steps 9 through 16 on the right side of the vehicle.



18. Remove one clip and three bolts to release the floor under cover.

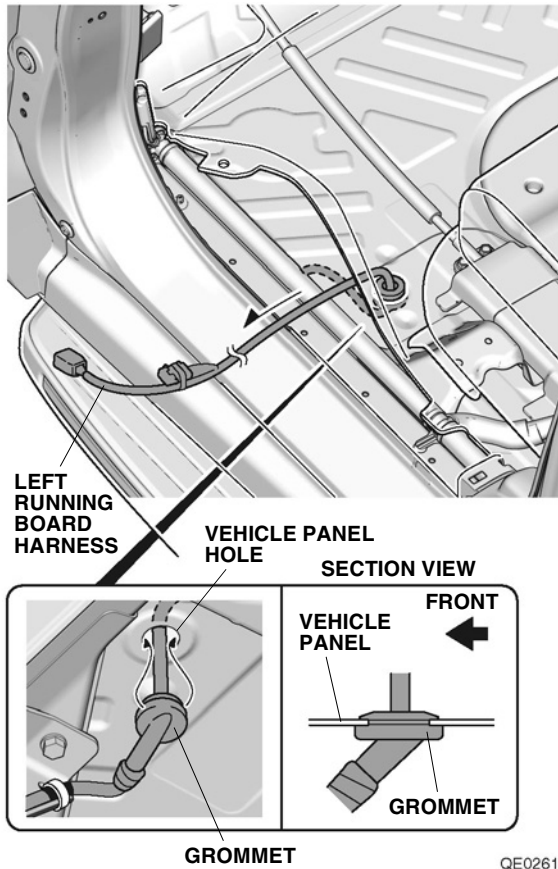


19. Remove the clip on the driver's side and pull away the floor carpet.



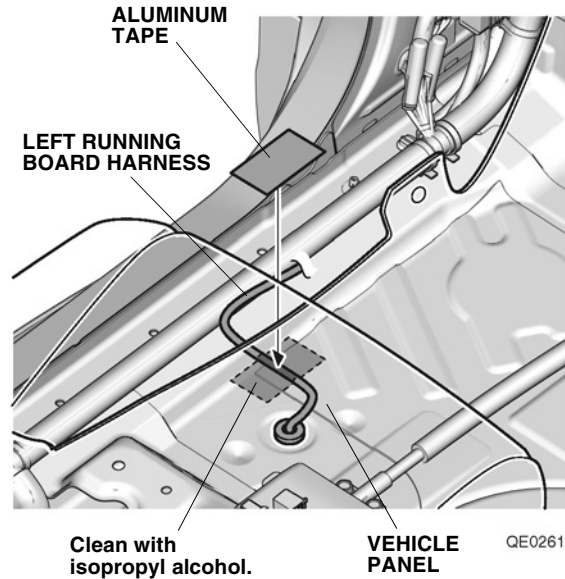
20. Locate the vehicle grommet and remove it from the vehicle panel.

21. Route the left running board harness through the vehicle panel hole and seat the grommet on the left running board harness in the vehicle panel hole.  
NOTE: Do not pull on the left running board harness when installing the grommet.



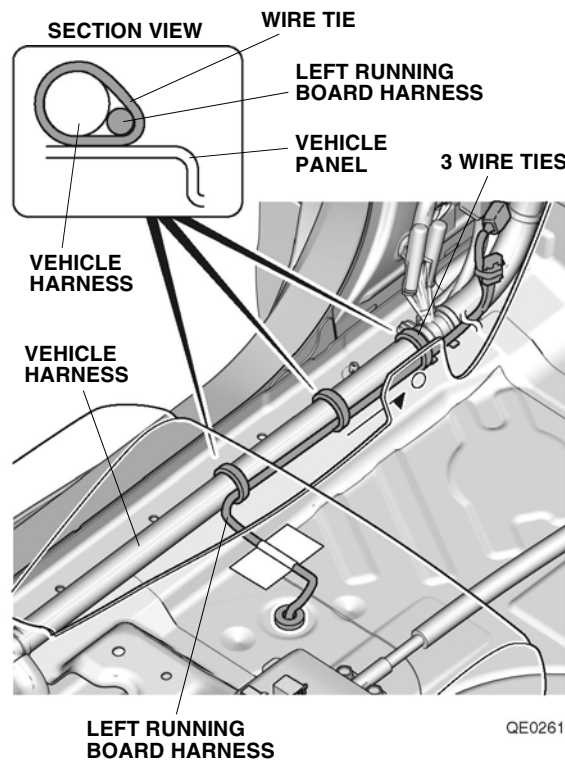
QE02611AA

22. Using isopropyl alcohol on a shop towel, thoroughly clean the vehicle panel where the aluminum tape will attach.



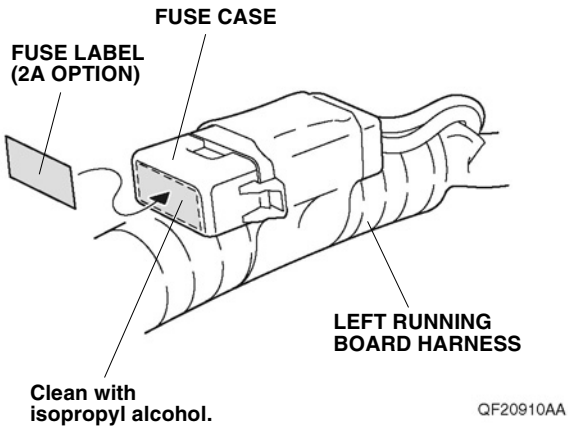
QE02612BA

23. Secure the left running board harness to the vehicle panel with one aluminum tape as shown.  
24. Route and secure the left running board harness to the vehicle harness with three wire ties.



QE02613AA

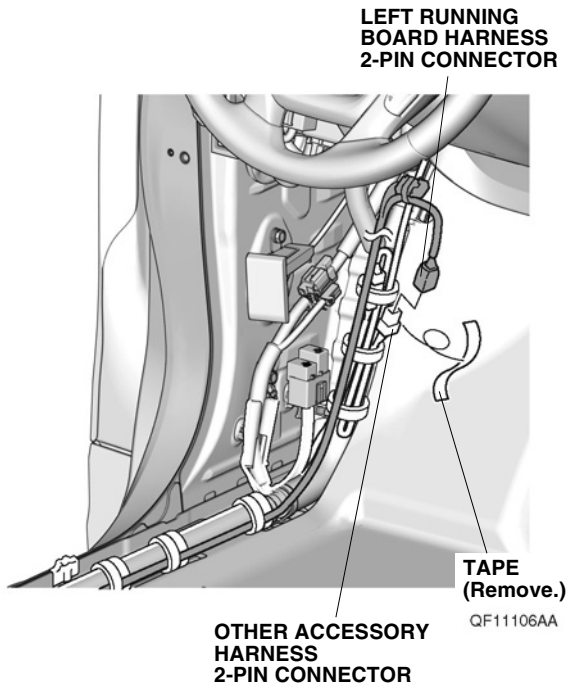
- Using isopropyl alcohol on a shop towel, thoroughly clean the fuse case where the fuse label will attach. Attach the fuse label (2A OPTION) to the fuse case on the left running board harness.



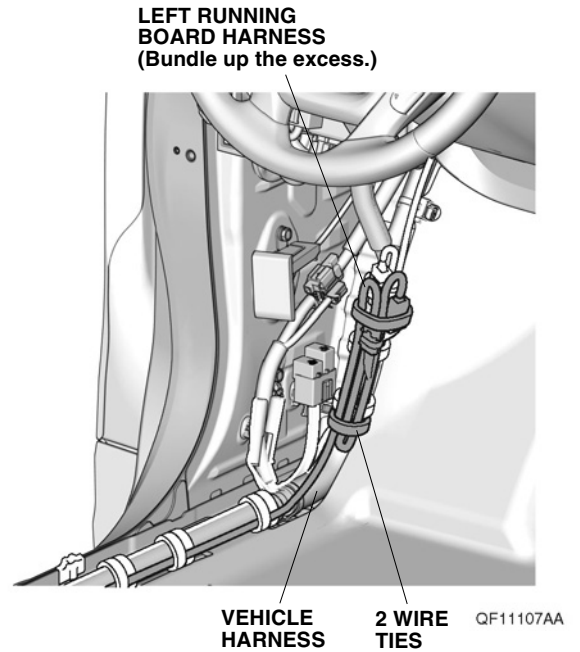
If the vehicle is equipped with the other accessory harness, continue with step 26; otherwise, go to step 28.

#### With other accessory harness

- Remove the tape from the other accessory harness 2-pin connector and plug the other accessory harness 2-pin connector into the left running board harness 2-pin connector.

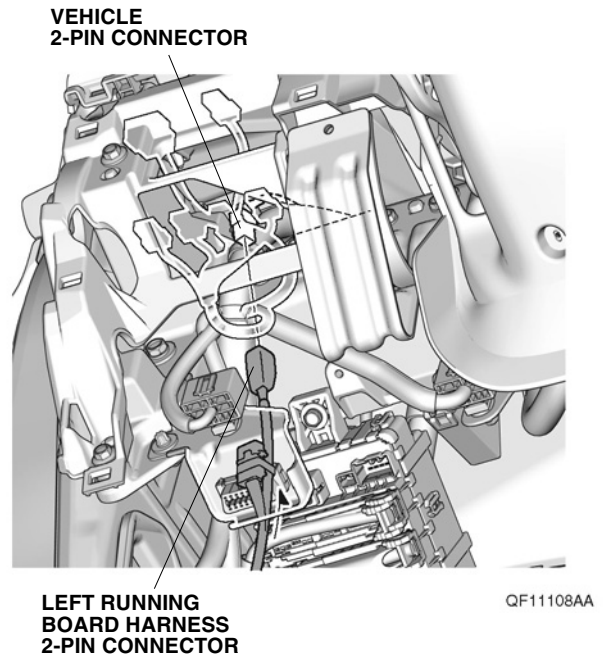


- Bundle up the excess left running board harness and secure it to the vehicle harness with two wire ties. Go to step 31.

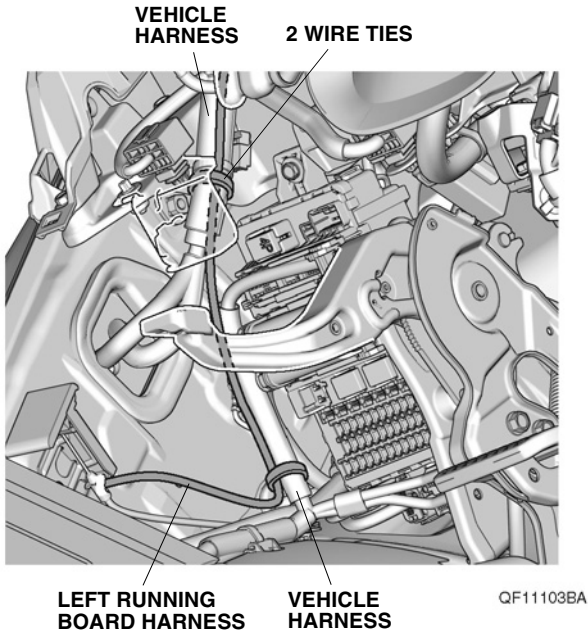


#### Without other accessory harness

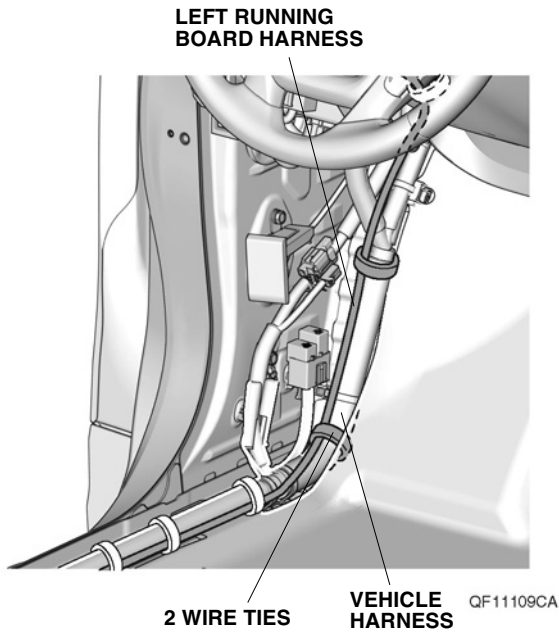
- Route the left running board harness and plug the vehicle 2-pin connector into the left running board harness 2-pin connector.



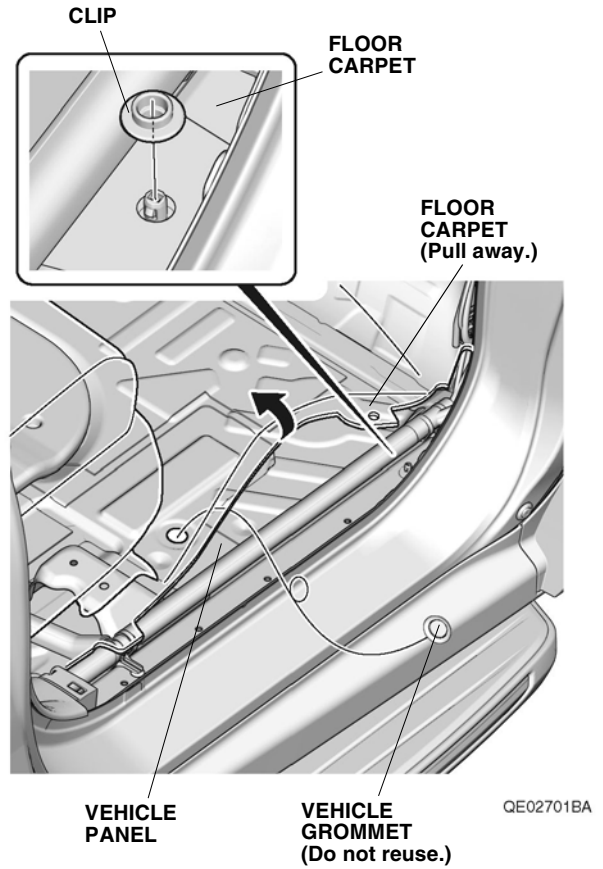
29. Secure the left running board harness to the vehicle harness with two wire ties.



30. Secure the left running board harness to the vehicle harness with two wire ties.

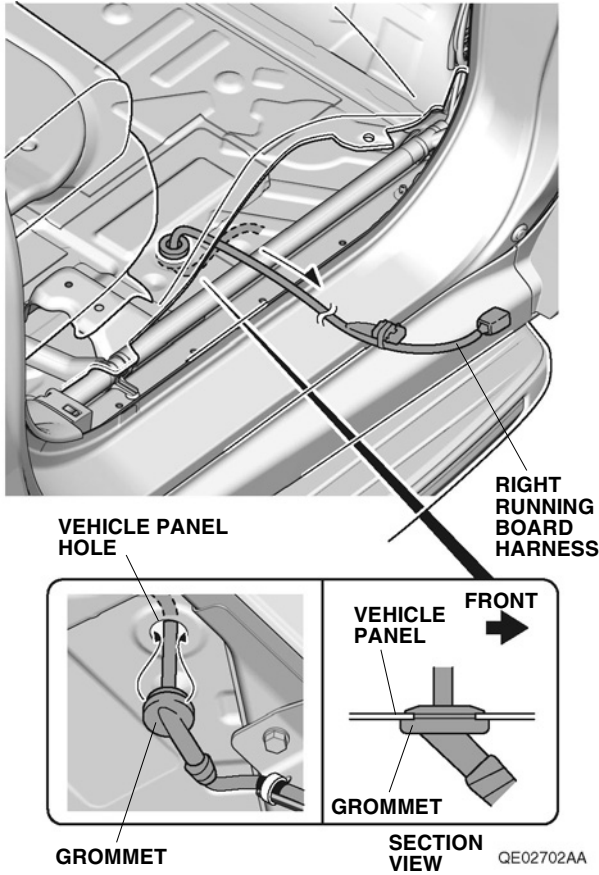


31. Remove the clip on the passenger's side and pull away the floor carpet.

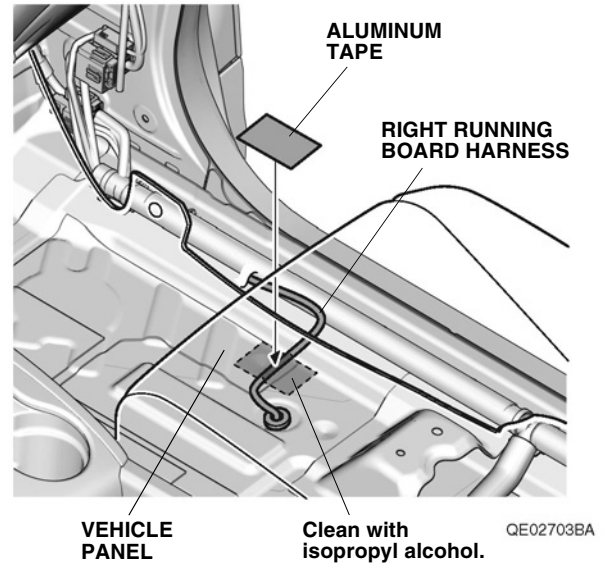


32. Locate the vehicle grommet and remove it from the vehicle panel.

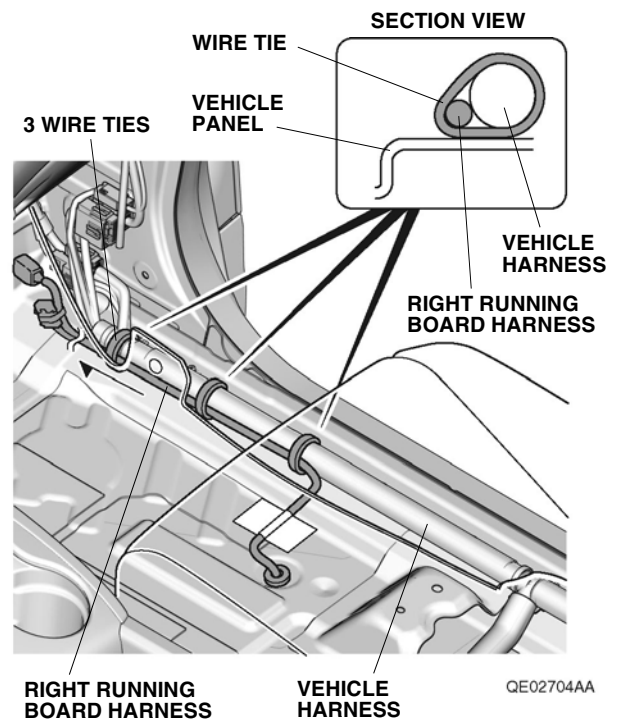
33. Route the right running board harness through the vehicle panel hole and seat the grommet on the right running board harness in the vehicle panel hole.  
 NOTE: Do not pull on the right running board harness when installing the grommet.



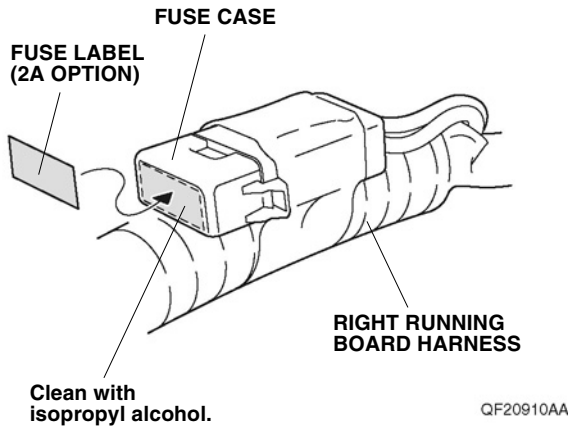
34. Using isopropyl alcohol on a shop towel, thoroughly clean the vehicle panel where the aluminum tape will attach.



35. Secure the right running board harness to the vehicle panel with one aluminum tape as shown.  
 36. Route and secure the right running board harness to the vehicle harness with three wire ties.



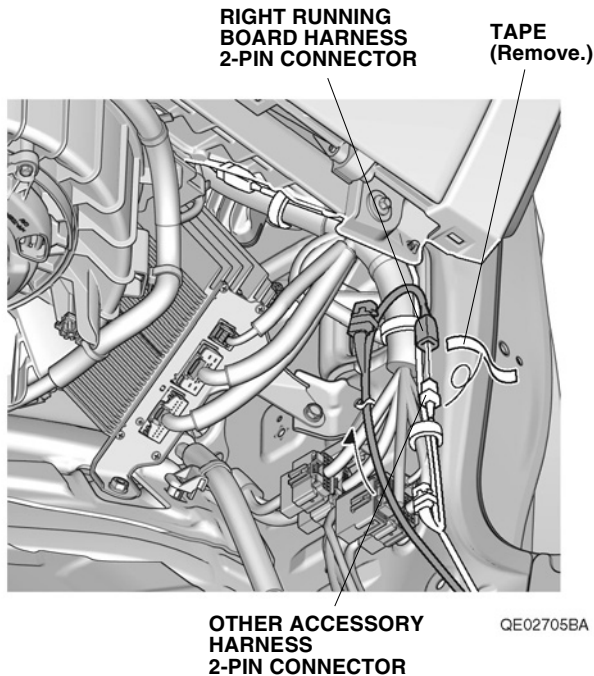
37. Using isopropyl alcohol on a shop towel, thoroughly clean the fuse case where the fuse label will attach. Attach the fuse label (2A OPTION) to the fuse case on the right running board harness.



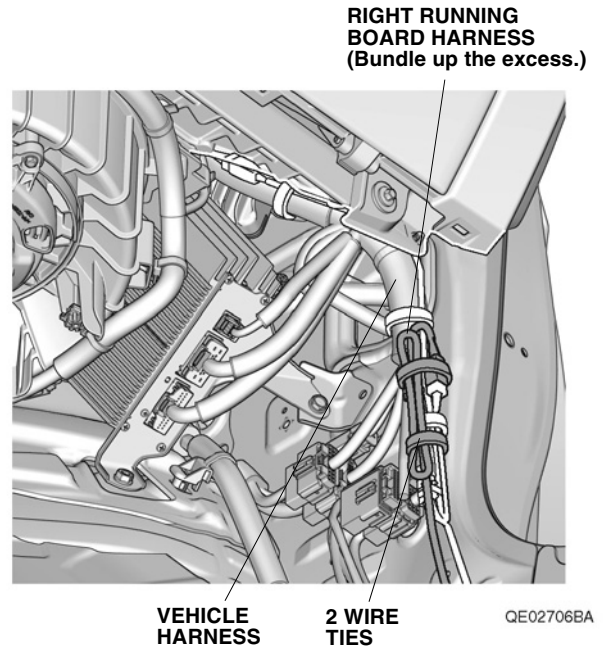
If the vehicle is equipped with the other accessory harness, continue with step 38; otherwise, go to step 40.

**With other accessory harness**

38. Remove the tape from the other accessory harness 2-pin connector and plug the other accessory harness 2-pin connector into the right running board harness 2-pin connector.

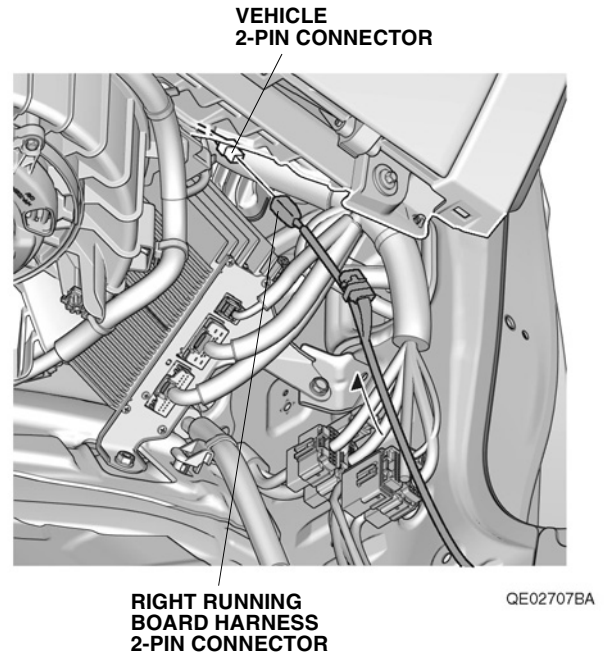


39. Bundle up the excess right running board harness and secure it to the vehicle harness with two wire ties. Go to step 43.

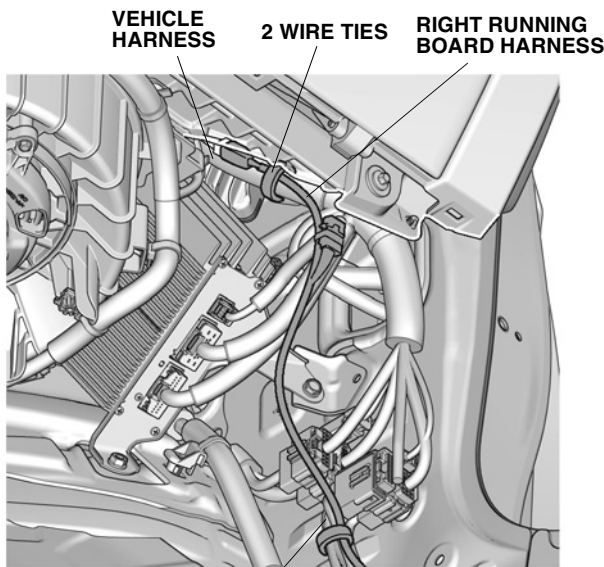


**Without other accessory harness**

40. Route the right running board harness and plug the vehicle 2-pin connector into the right running board harness 2-pin connector.

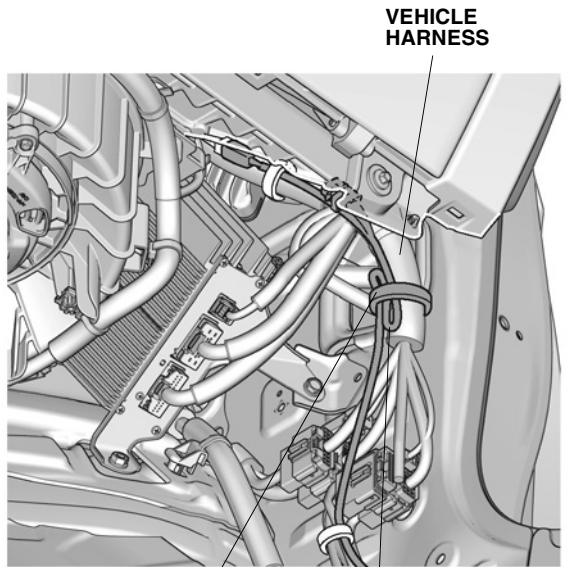


41. Secure the right running board harness to the vehicle harness with two wire ties.



VEHICLE HARNESS      QE02708BA

42. Bundle up the excess right running board harness and secure it to the vehicle harness with one wire tie.



WIRE TIE      RIGHT RUNNING BOARD HARNESS (Bundle up the excess.)      QE02709BA

43. Check that all wire harnesses are routed properly and all connectors are plugged in.
44. Reinstall all removed parts except for the front bulkhead cover and the intake air tube.
45. Reconnect the negative cable to the battery.
46. Reinstall the front bulkhead cover and the intake air tube.
47. Press and hold the audio unit power button for 2 seconds to restore the audio and navi (if equipped) system functions.
48. Reset the clock on vehicles without navigation.
49. Restore the systems back to normal operation as described in the service information if necessary.

### Check the Operation of the Running Board with Light

50. Make sure the light on the running board turns on when the door is opened.
51. Make sure the light on the running board turns off after closing the door for a period of time.
52. Make sure the light on the running board turns on when the key on the driver's side is unlocked.