



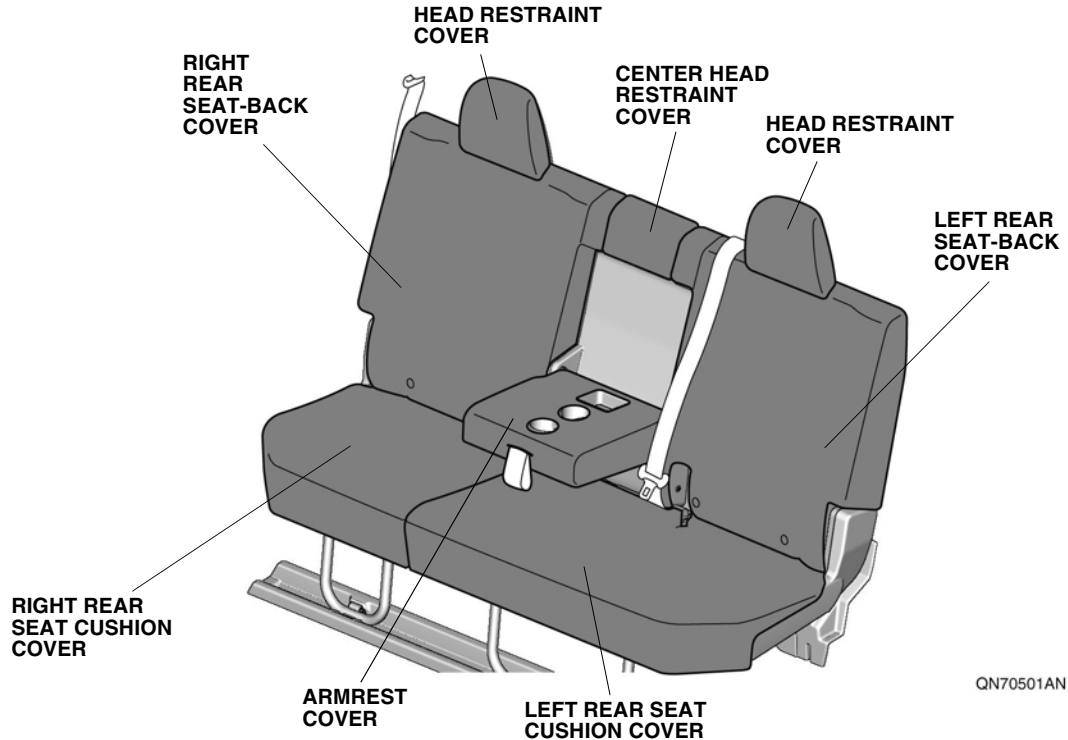
## INSTALLATION INSTRUCTIONS

Accessory  
REAR SEAT COVERS

Application  
2024 RIDGELINE  
MODEL SERIES

Publications No.  
**VERSION 1**  
Issue Date  
NOV 2023

### GENERAL VIEW



### FOR YOUR SAFETY (Read carefully.)

#### Warning Symbols

Safety: Your safety, and the safety of others, is important. To help you make informed decisions about service procedures, we have provided safety messages where appropriate. Of course, it is not practical or possible to warn you about all the hazards associated with servicing a vehicle - you must use your own good judgment.

You will find important safety messages preceded by one of the following symbols:

\*All symbols are not used in all installation instructions.

**⚠ DANGER**

You will be killed or seriously hurt if you do not follow the instructions.

**⚠ WARNING**

You can be killed or seriously hurt if you do not follow the instructions.

**⚠ CAUTION**

You can be hurt if you do not follow the instructions.

**NOTICE**

Gives advice to prevent damage to the product, vehicle, the environment or other property.

**NOTE**

Gives helpful information or instructions to be followed when installing this product.

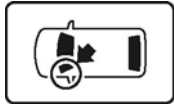


Indicates a prohibited action.

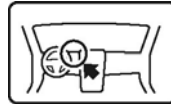
## Procedure and Location Icons

These icons indicate the work location and the worker's point of view.

\*All icons are not used in all installation instructions.



The location on the vehicle.



The location in the vehicle.  
(Instrument panel.)



Wear eye protection.



Wear heavy gloves.



Use an assistant.



Place the part on a blanket.



Work perpendicular.



Remove any burrs.



Use touch-up paint and allow to dry.



Tighten to the specified torque.



Apply firm pressure while rolling, especially at the ends, to set the adhesive.



Press firmly.



Clean with isopropyl alcohol.



Return the original part to the customer.  
(Do not reuse.)

## Safety: General

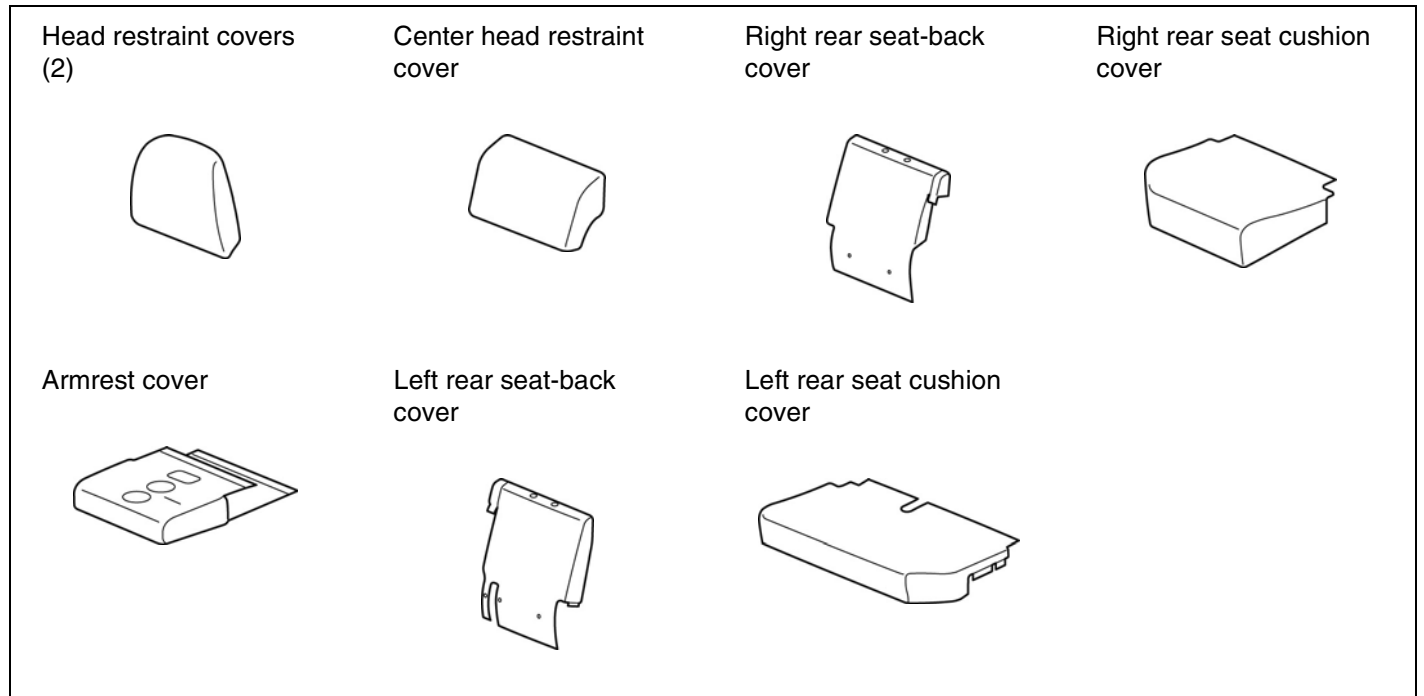
- Observe all safety notes and precautions described in the service information, in addition to those described in this Installation Instruction. Be extremely careful for your safety and safety of others.
- Be careful not to damage the vehicle or the parts.
- Note the locations of the parts before removing them so they can be properly installed in their original positions.
- The illustrations may differ slightly from the actual accessory.

## Safety: Accessory

Always use the parts and tools specified in the installation instructions.

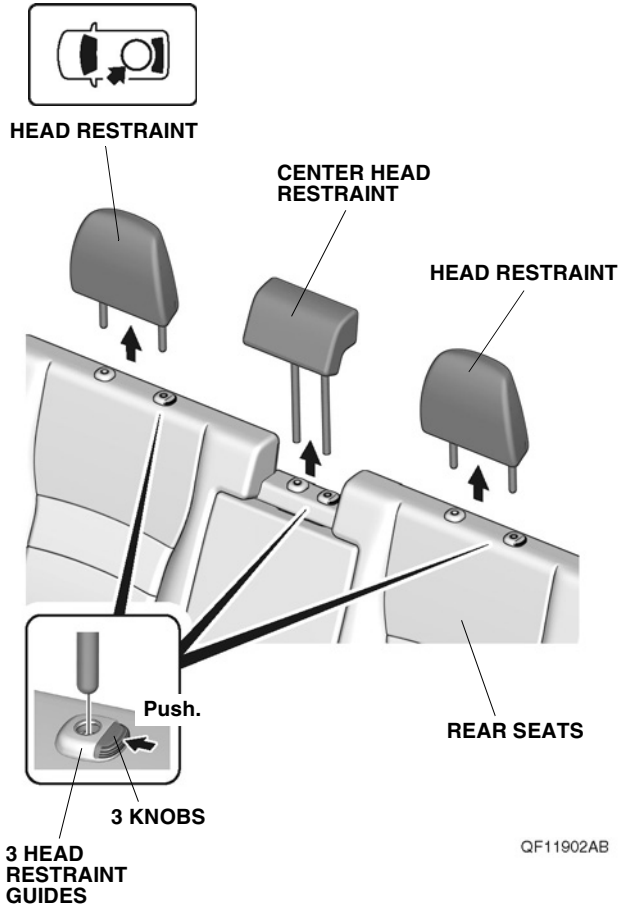
## PARTS LIST

### Rear Seat Covers Kit (P/N 08P32-T6Z-100A)

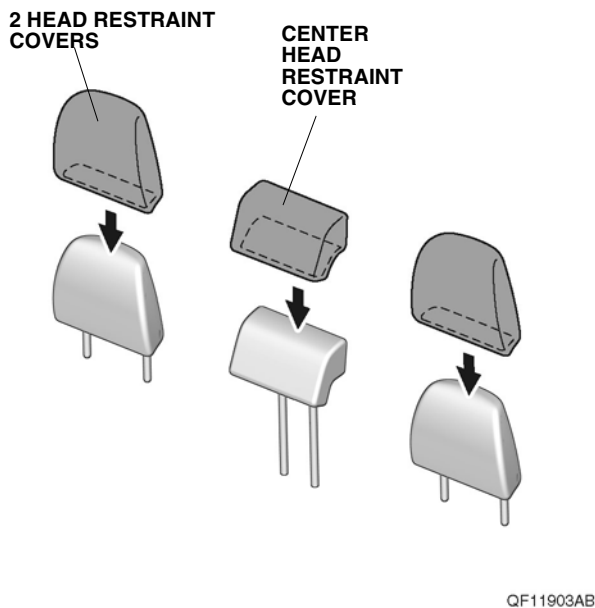


## INSTALLATION

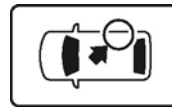
1. Make sure to identify the installation position of each seat cover by referring to the position (identification) label of the cover.
2. Remove the head restraints.



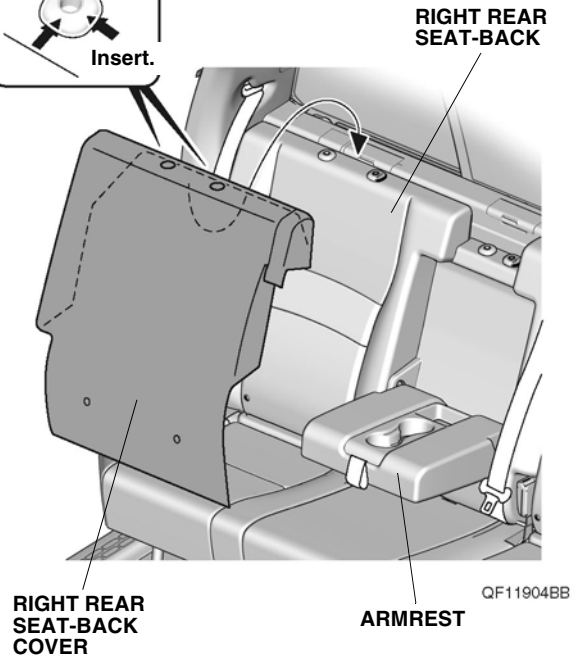
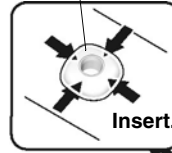
3. Install the head restraint covers.



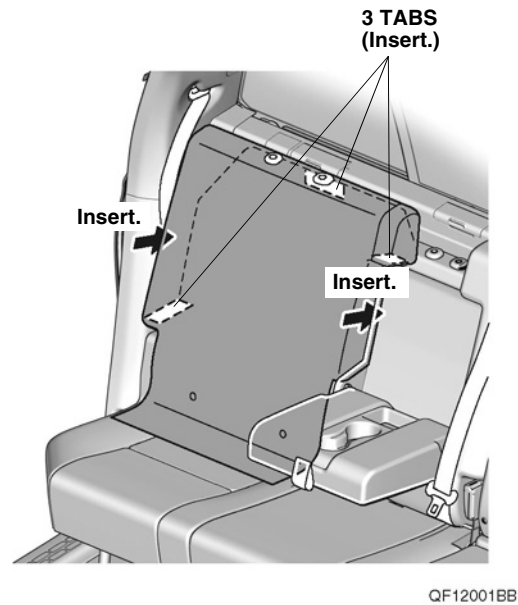
4. Pull down the armrest.
5. Install the right rear seat-back cover.



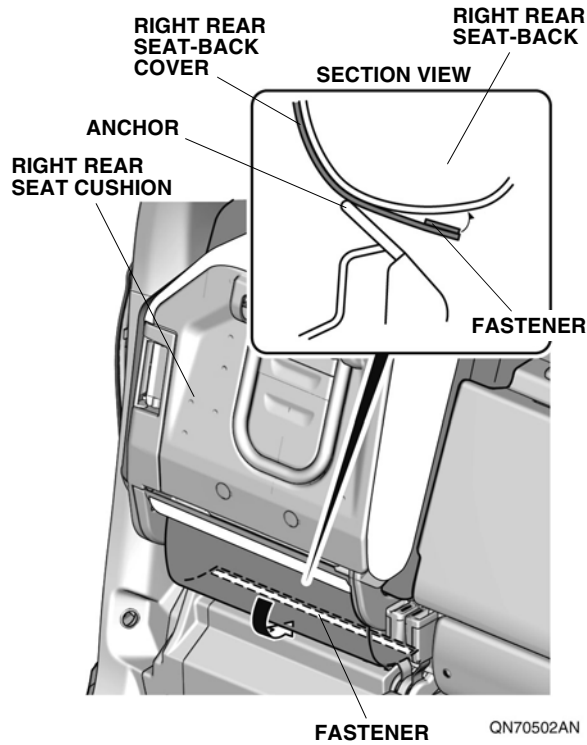
2 HEAD RESTRAINT GUIDES



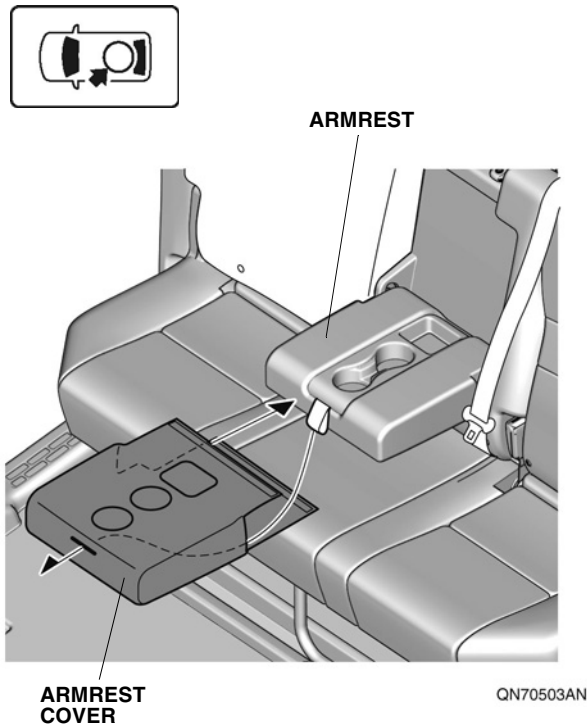
6. Secure the right rear seat-back cover.



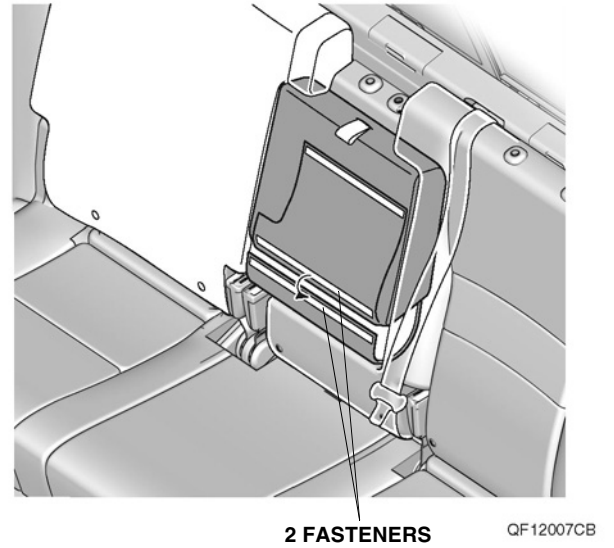
7. Raise the armrest and right rear seat cushion.
8. Secure the right rear seat-back cover.



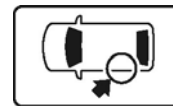
9. Pull down the right rear seat cushion and armrest.
10. Install the armrest cover.



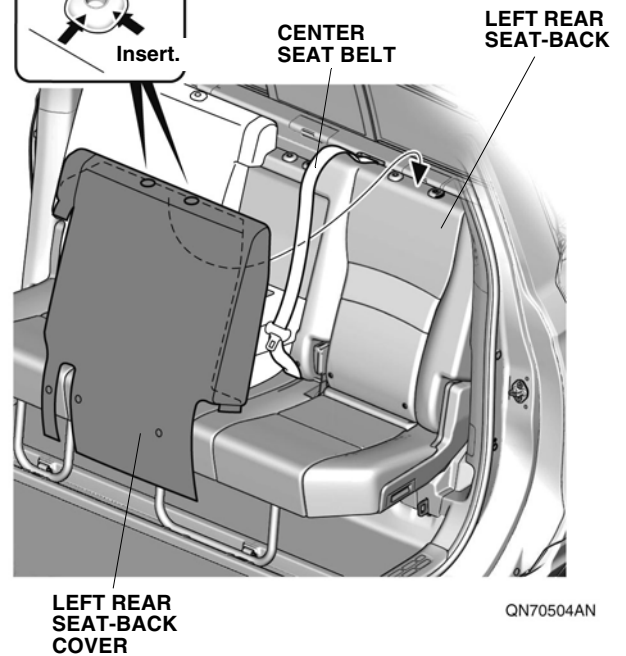
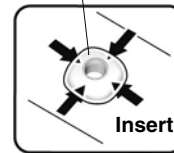
11. Raise the armrest.
12. Secure the armrest cover.



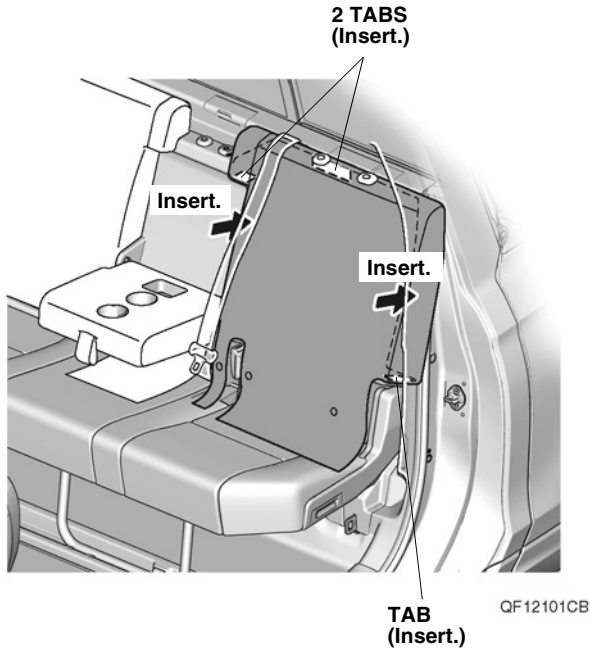
13. Pull down the armrest.
14. Install the left rear seat-back cover.



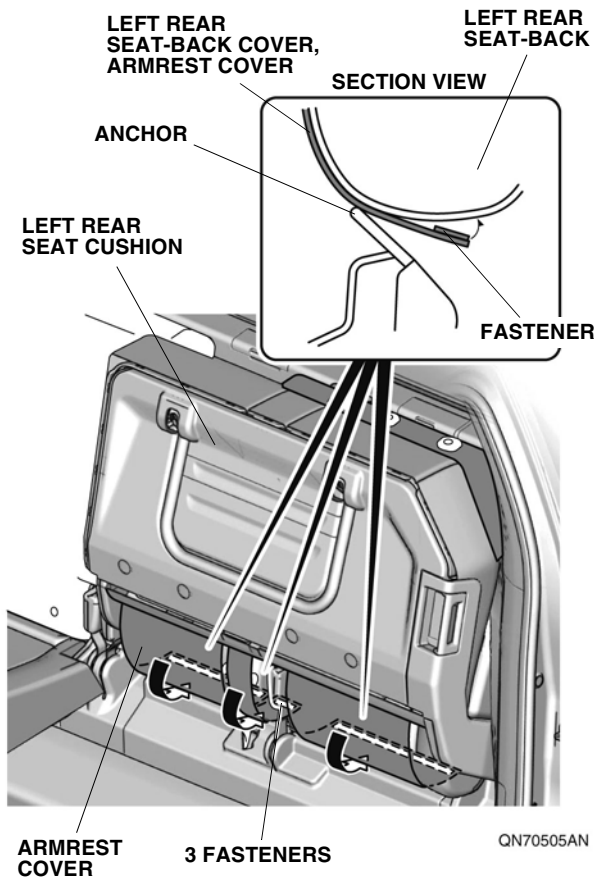
**2 HEAD RESTRAINT GUIDES**



15. Secure the left rear seat-back cover.

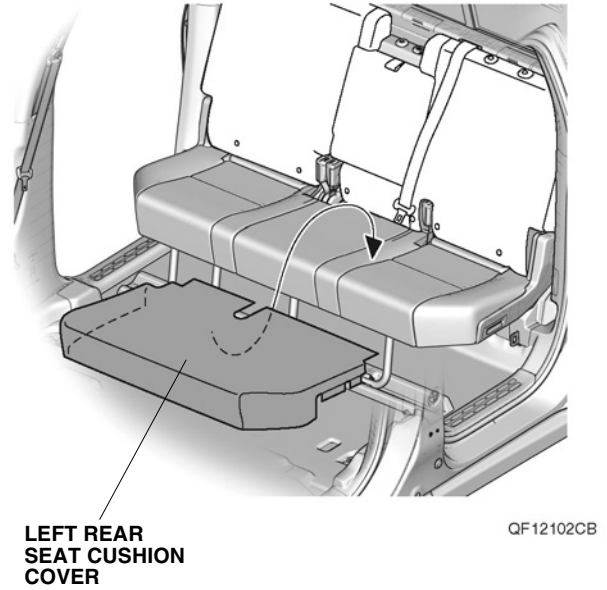


16. Raise the armrest and left rear seat cushion.  
 17. Secure the left rear seat-back cover and armrest cover.

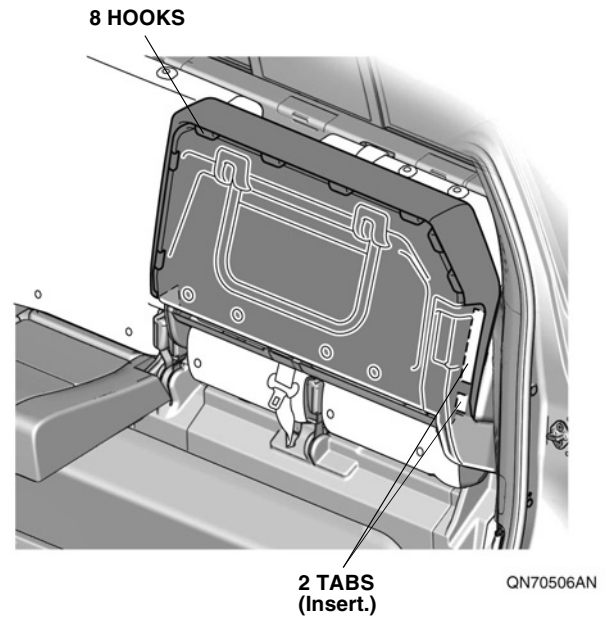


18. Pull down the left rear seat cushion.

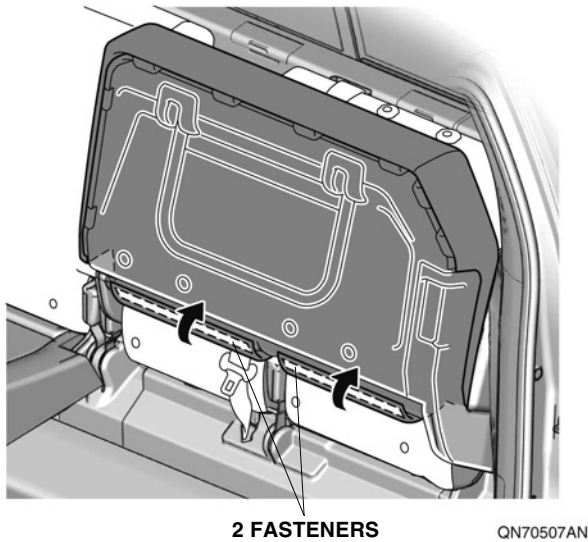
19. Install the left rear seat cushion cover.



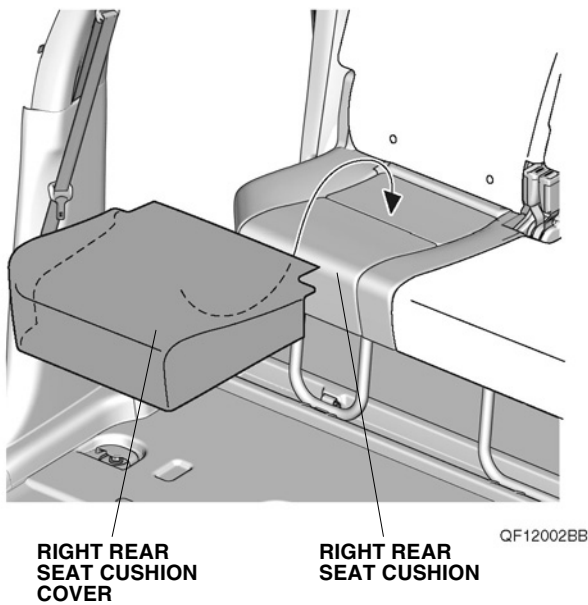
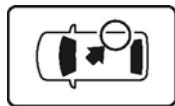
20. Raise the left rear seat cushion.  
 21. Secure the left rear seat cushion cover.



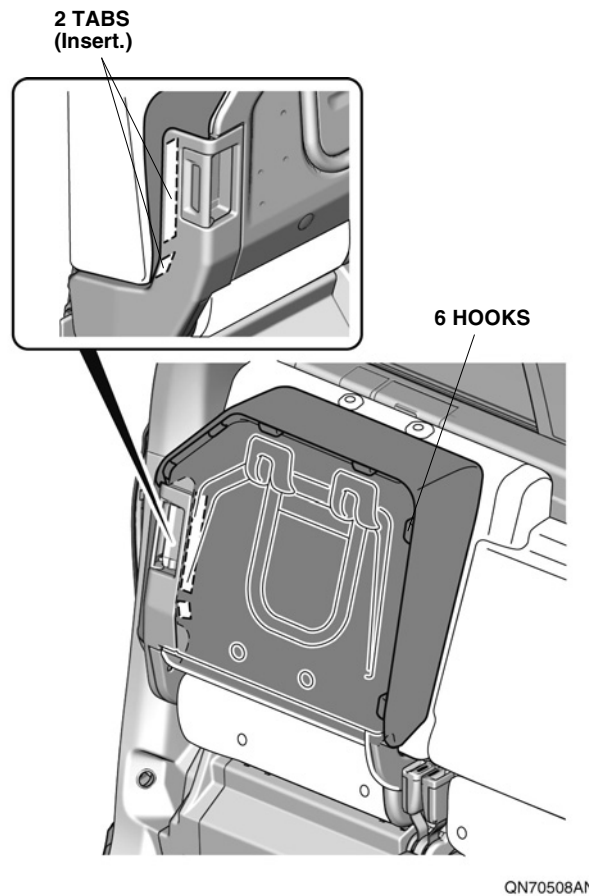
22. Secure the left rear seat cushion cover.



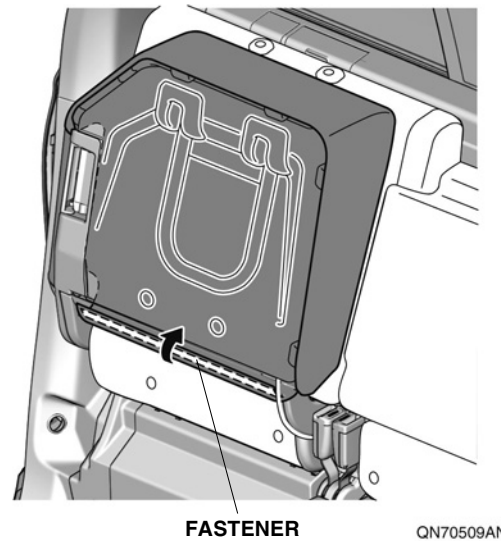
23. Pull down the left rear seat cushion.  
24. Install the right rear seat cushion cover.



25. Raise the right rear seat cushion.  
26. Secure the right rear seat cushion cover.



27. Secure the right rear seat cushion cover.



28. Pull down the right rear seat cushion.  
29. Install the head restraints.  
30. Check that all parts are installed properly.