



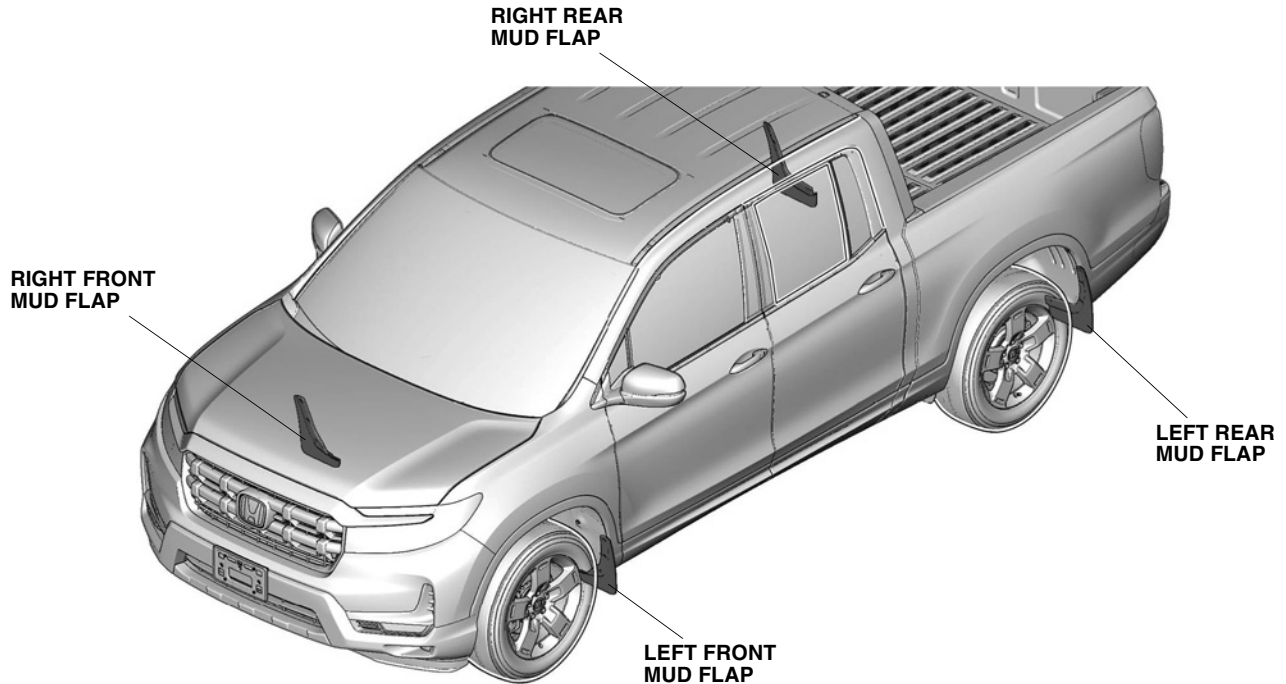
INSTALLATION INSTRUCTIONS

Accessory
MUD FLAPS

Application
2024 RIDGELINE
MODEL SERIES

Publications No.
VERSION 1
Issue Date
NOV 2023

GENERAL VIEW



QN41301AN

FOR YOUR SAFETY (Read carefully.)

Warning Symbols

Safety: Your safety, and the safety of others, is important. To help you make informed decisions about service procedures, we have provided safety messages where appropriate. Of course, it is not practical or possible to warn you about all the hazards associated with servicing a vehicle - you must use your own good judgment.

You will find important safety messages preceded by one of the following symbols:

*All symbols are not used in all installation instructions.

⚠ DANGER

You will be killed or seriously hurt if you do not follow the instructions.

⚠ WARNING

You can be killed or seriously hurt if you do not follow the instructions.

⚠ CAUTION

You can be hurt if you do not follow the instructions.

NOTICE

Gives advice to prevent damage to the product, vehicle, the environment or other property.

NOTE

Gives helpful information or instructions to be followed when installing this product.

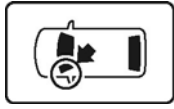


Indicates a prohibited action.

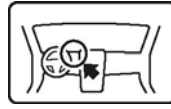
Procedure and Location Icons

These icons indicate the work location and the worker's point of view.

*All icons are not used in all installation instructions.



The location on the vehicle.



The location in the vehicle.
(Instrument panel.)



Wear eye protection.



Wear heavy gloves.



Use an assistant.



Place the part on a blanket.



Work perpendicular.



Remove any burrs.



Use touch-up paint and allow to dry.



Tighten to the specified torque.



Apply firm pressure while rolling, especially at the ends, to set the adhesive.



Press firmly.



Clean with isopropyl alcohol.



Return the original part to the customer.
(Do not reuse.)

Safety: General

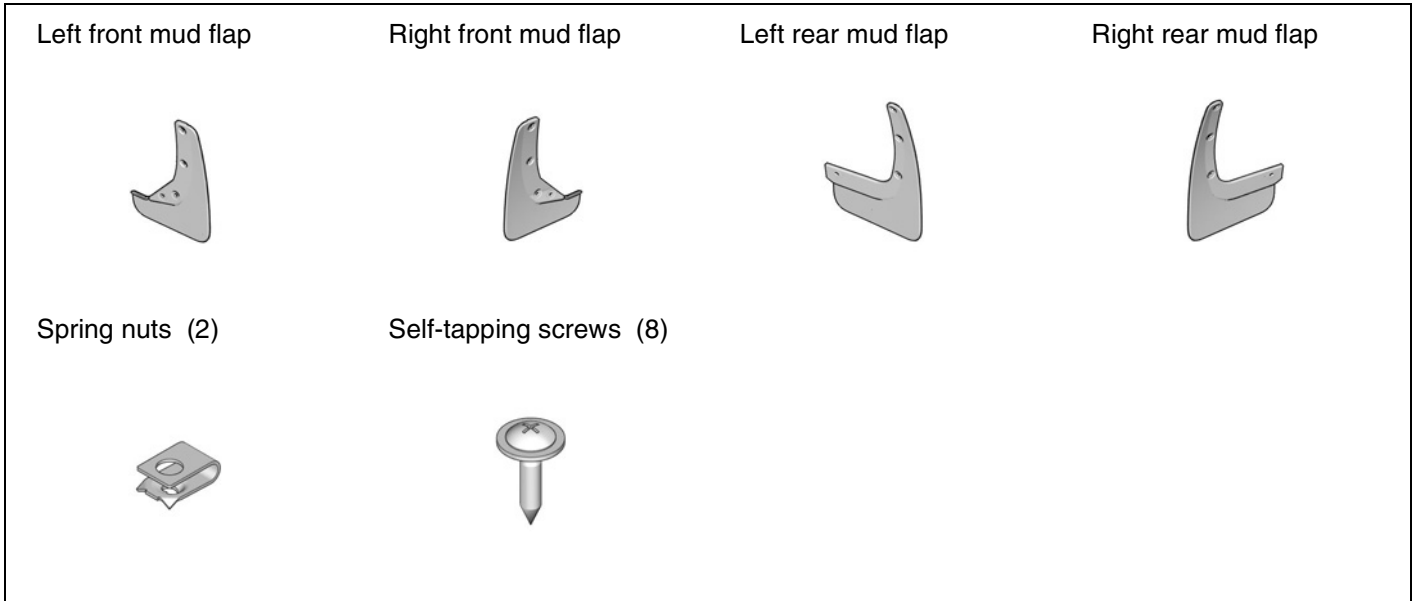
- Observe all safety notes and precautions described in the service information, in addition to those described in this Installation Instruction. Be extremely careful for your safety and safety of others.
- Be careful not to damage the vehicle or the parts.
- The illustrations may differ slightly from the actual accessory.

Safety: Accessory

Always use the parts and tools specified in the installation instructions.

PARTS LIST

Mud Flaps Kit (P/N 08P00-T6Z-100)

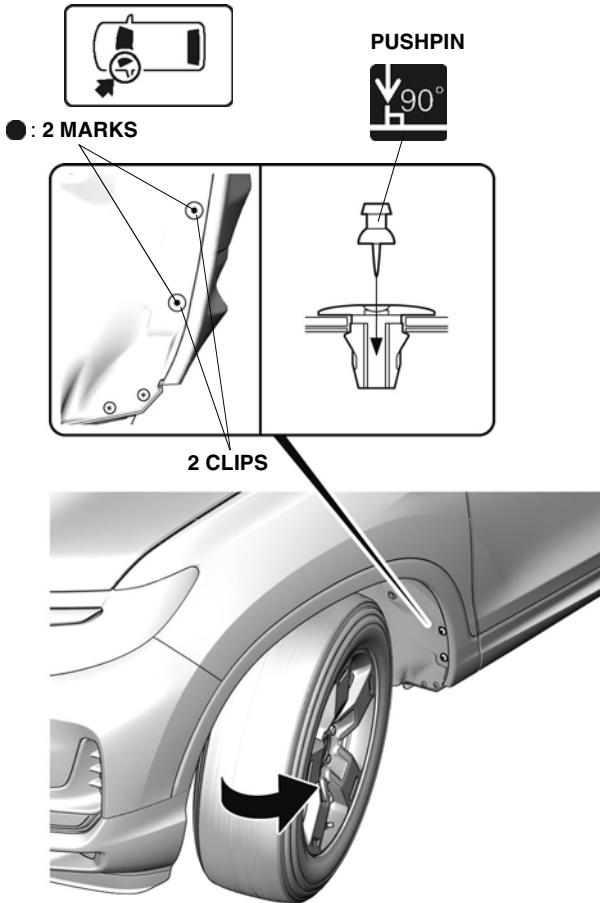


REQUIRED TOOLS AND SUPPLIES

- Phillips screwdriver
- Stubby Phillips screwdriver
- Pushpin

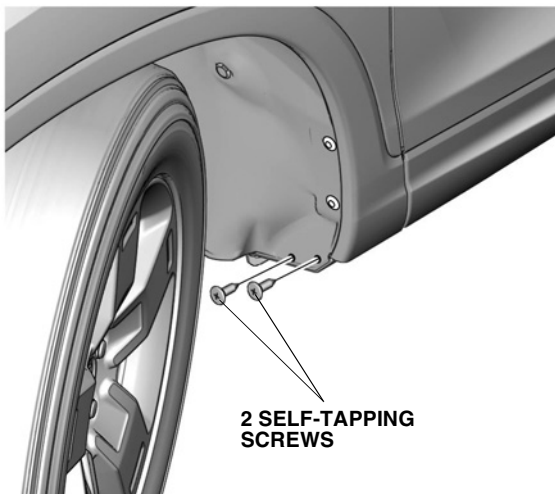
INSTALLATION

1. Turn the steering wheel fully counterclockwise.



QN41302AN

2. Pierce the clips.
3. Remove the self-tapping screws.

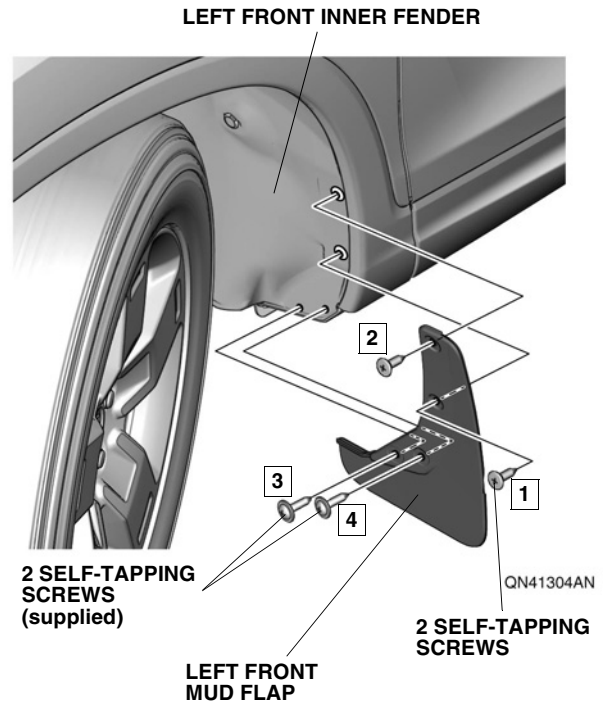


QN41303AN

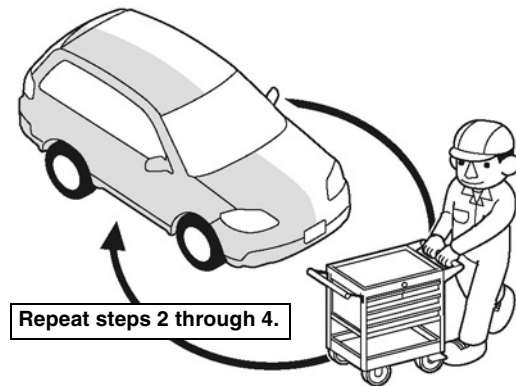
4. Install the left front mud flap.

NOTE

- Install in the order shown.
- Make sure that there is no gap between the mud flap and vehicle body. If there is a gap, loosen the self-tapping screws, hold the mud flap against the vehicle body, and retighten the screws.
- Make sure that the mud flap is properly installed.

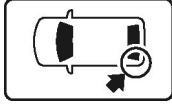


5. Turn the steering wheel fully clockwise, and repeat the same procedures on the other side.

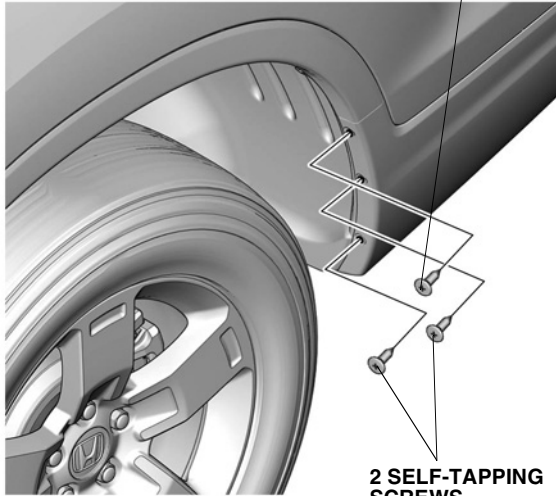


Q9D1012AE

6. Remove the self-tapping screws.



SELF-TAPPING SCREW



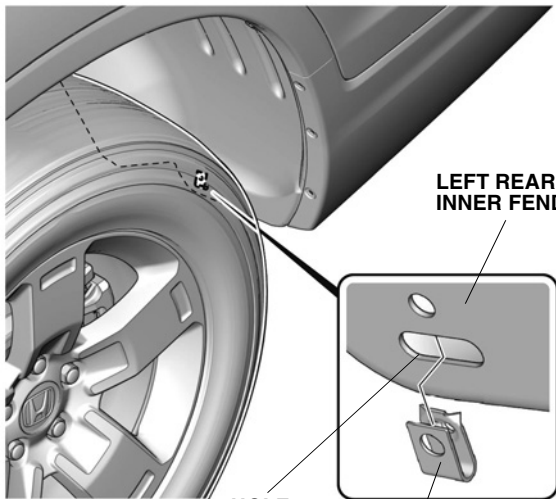
2 SELF-TAPPING SCREWS

QN41305AN

7. Install the spring nut.

NOTE

Make sure to install the spring nut in the correct orientation with the large hole facing out.



LEFT REAR INNER FENDER

HOLE

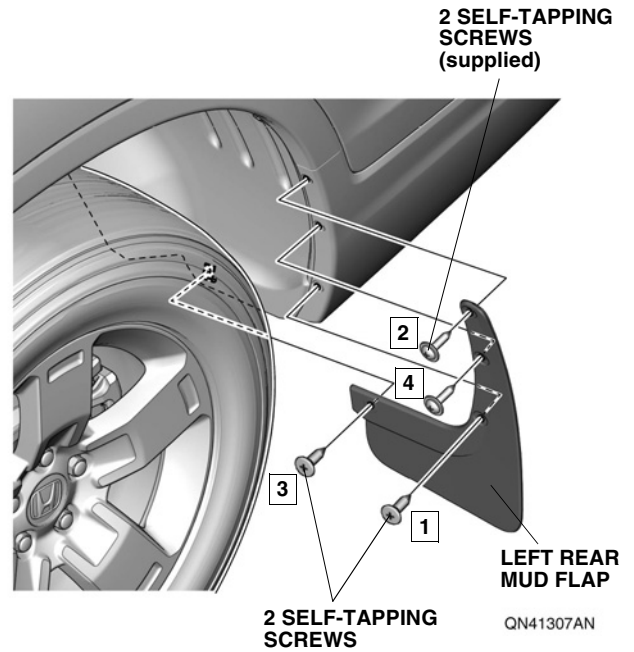
SPRING NUT

QN41306AN

8. Install the left rear mud flap.

NOTE

- Install in the order shown.
- Make sure that there is no gap between the mud flap and vehicle body. If there is a gap, loosen the self-tapping screws, hold the mud flap against the vehicle body, and retighten the screws.
- Make sure that the mud flap is properly installed.



2 SELF-TAPPING SCREWS (supplied)

2

4

3

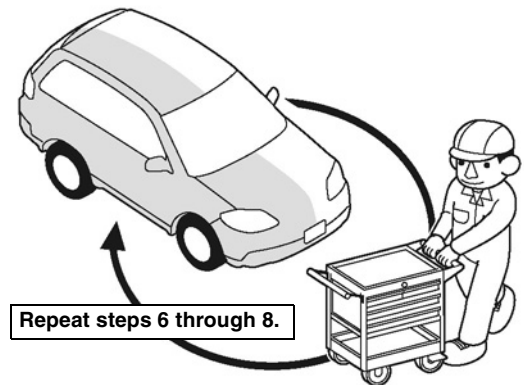
1

LEFT REAR MUD FLAP

2 SELF-TAPPING SCREWS

QN41307AN

9. Repeat the same procedures on the other side.



Repeat steps 6 through 8.

Q9D1012AE

10. Check that all parts are installed properly.