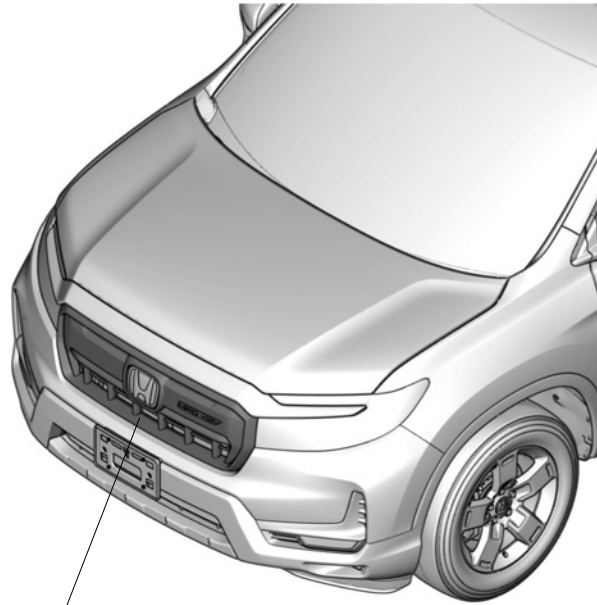




## INSTALLATION INSTRUCTIONS

<p>Accessory</p> <p><b>FRONT GRILLE</b></p>	<p>Application</p> <p><b>2024 RIDGELINE MODEL SERIES</b></p>	<p>Publications No.</p> <p><b>VERSION 1</b></p>
		<p>Issue Date</p> <p><b>NOV 2023</b></p>

### GENERAL VIEW



FRONT GRILLE

QN41701AA

### FOR YOUR SAFETY (Read carefully.)

#### Warning Symbols

Safety: Your safety, and the safety of others, is important. To help you make informed decisions about service procedures, we have provided safety messages where appropriate. Of course, it is not practical or possible to warn you about all the hazards associated with servicing a vehicle - you must use your own good judgment.

You will find important safety messages preceded by one of the following symbols:

\*All symbols are not used in all installation instructions.

**⚠ DANGER**

You will be killed or seriously hurt if you do not follow the instructions.

**⚠ WARNING**

You can be killed or seriously hurt if you do not follow the instructions.

**⚠ CAUTION**

You can be hurt if you do not follow the instructions.

**NOTICE**

Gives advice to prevent damage to the product, vehicle, the environment or other property.

**NOTE**

Gives helpful information or instructions to be followed when installing this product.

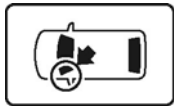


Indicates a prohibited action.

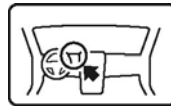
## Procedure and Location Icons

These icons indicate the work location and the worker's point of view.

\*All icons are not used in all installation instructions.



The location on the vehicle.



The location in the vehicle.  
(Instrument panel.)



Wear eye protection.



Wear heavy gloves.



Use an assistant.



Place the part on a blanket.



Work perpendicular.



Remove any burrs.



Use touch-up paint and allow to dry.



Tighten to the specified torque.



Apply firm pressure while rolling, especially at the ends, to set the adhesive.



Press firmly.

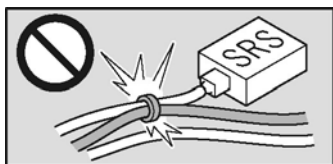


Clean with isopropyl alcohol.



Return the original part to the customer.  
(Do not reuse.)

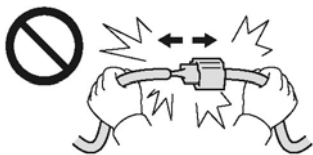
## Wire Harness Routing Precaution



Do not secure the accessory harness to the SRS harness.  
(except for instruction cases.)



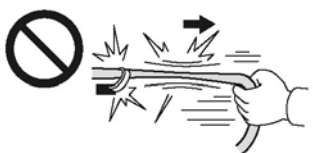
Push the connectors and terminals together until they lock.



Do not pull the harness to unplug the connectors.



Install removed connectors in their original location.



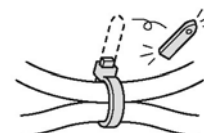
Do not pull the harness.



Secure the accessory harness as shown.



Do not pinch the harness.



Cut off the excess wire tie.

## Safety: General

- Observe all safety notes and precautions described in the service information, in addition to those described in this Installation Instruction. Be extremely careful for your safety and safety of others.
- Be careful not to damage the vehicle or the parts.
- Be extremely careful when handling retaining tabs and clips.
- Note the locations of the parts before removing them so they can be properly installed in their original positions.
- The illustrations may differ slightly from the actual accessory.

## Safety: Electric Parts

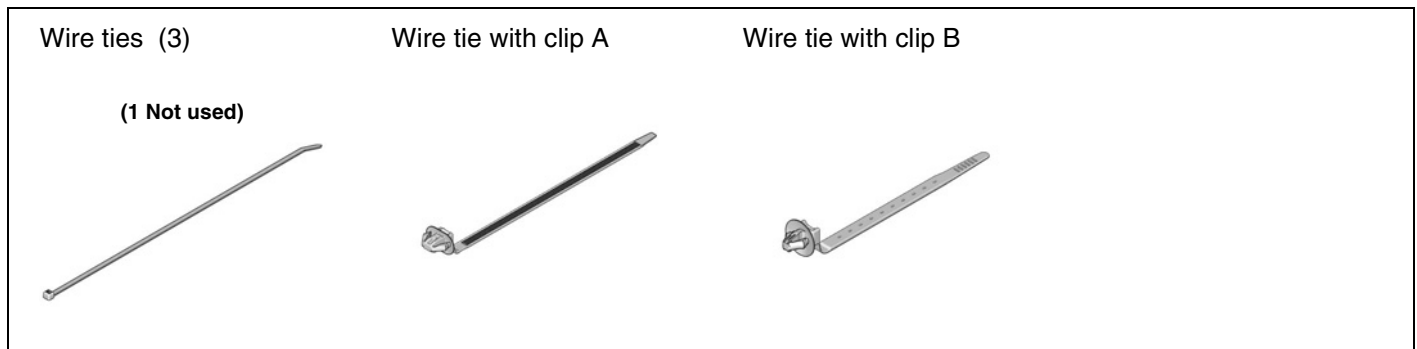
Always disconnect the negative cable from the battery before beginning work.

## Safety: Accessory

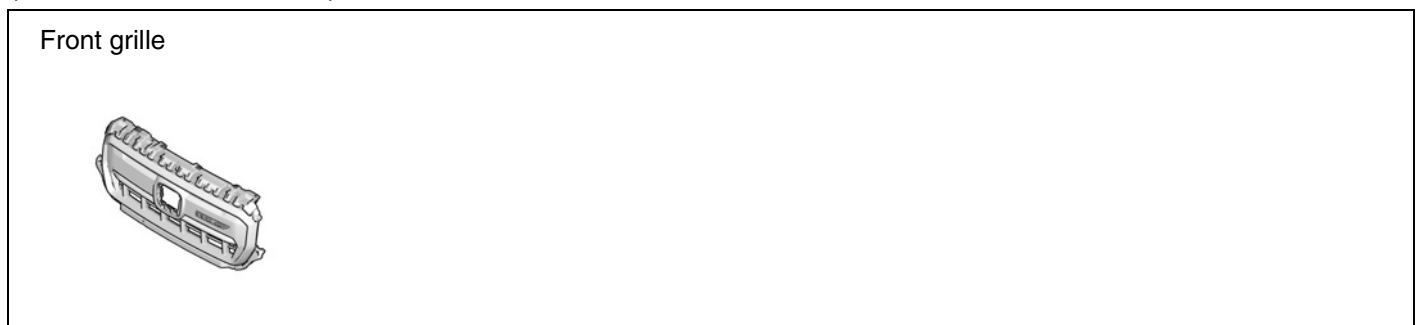
Always use the parts and tools specified in the installation instructions.

## PARTS LIST

Front Grille Attachment Kit  
(P/N 08F21-TGS-100A)  
(P/N 08F21-TGS-P00A)



Front Grille Kit  
(P/N 08F21-T6Z-100B)  
(P/N 08F21-T6Z-P00B)



## REQUIRED TOOLS AND SUPPLIES

- Phillips screwdriver
- Flat-tip screwdriver
- 10 mm Socket
- Ratchet
- Shop towel
- Masking tape
- Stubby Phillips screwdriver
- 10 mm Open end wrench
- Blanket
- Diagonal cutters

The following tools are available through the Honda Tool and Equipment Program:

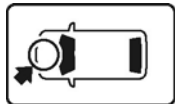
- Trim Tool Set (T/N SOJATP2014)
- Plastic Trim Tool (T/N SILTRIMTL10)

## INSTALLATION

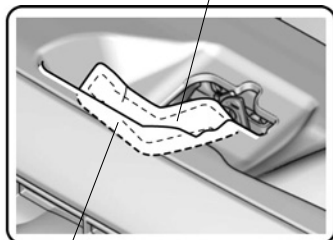
1. Wrap a shop towel.

### NOTE

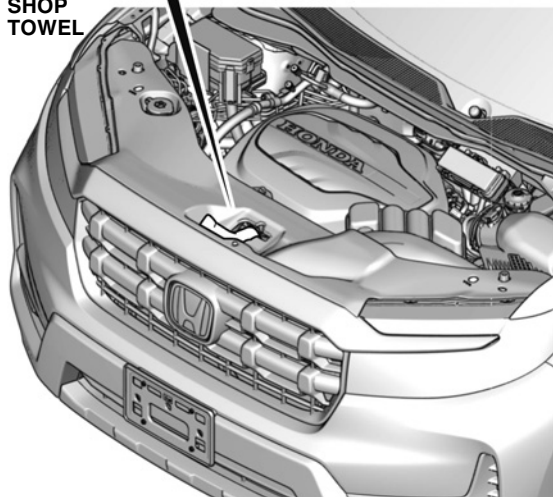
Do not remove the shop towel until after the parts are installed.



HOOD LATCH  
LEVER

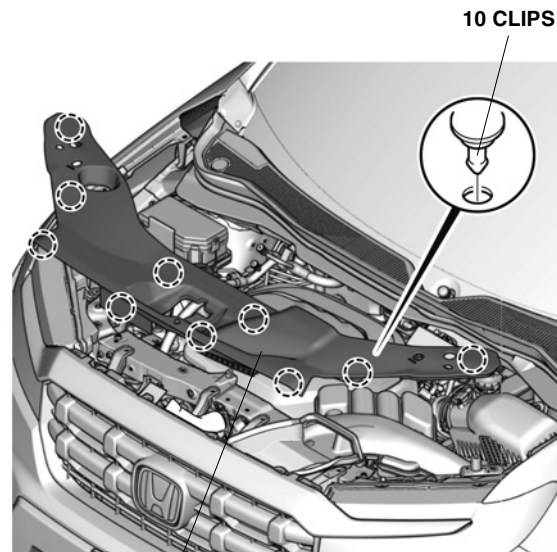


SHOP  
TOWEL



QN41702AA

2. Remove the front bulkhead cover.

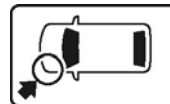


10 CLIPS

FRONT BULKHEAD  
COVER

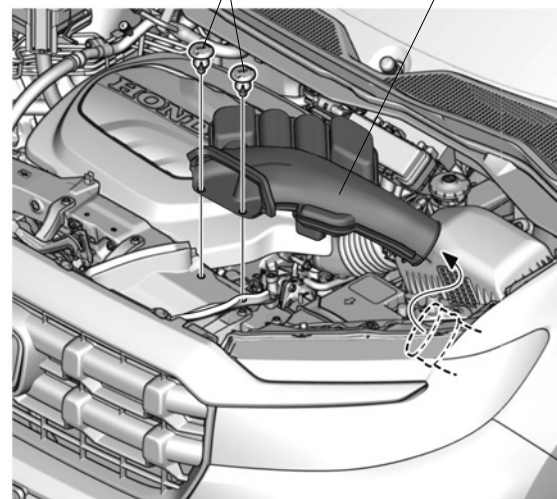
QN41703AA

3. Remove the intake air tube.



2 CLIPS

INTAKE  
AIR TUBE

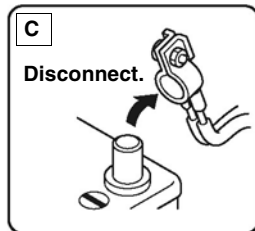
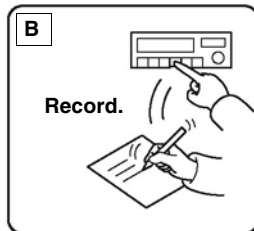
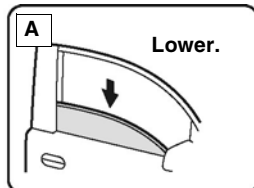


QN41704AA

4. Disconnect the negative cable from the battery.

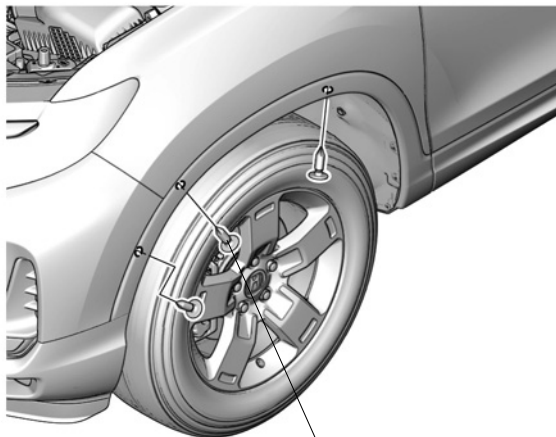
## NOTE

With the driver's door open, turn the vehicle to the OFF (LOCK) mode, then disconnect the negative battery cable from the 12V battery, then wait 3 minutes before starting work.



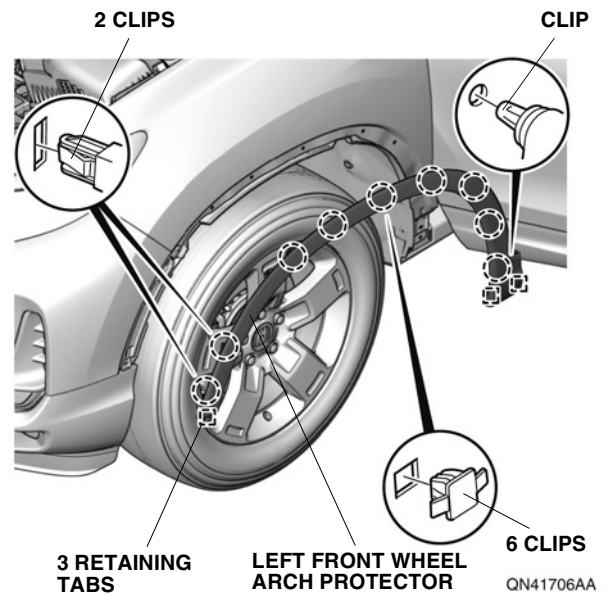
QCD0502BM

5. Remove the self-tapping screws.

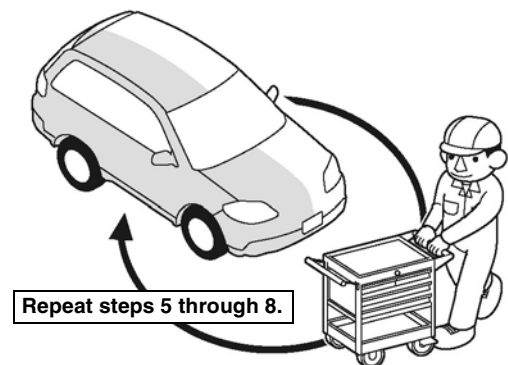


QN41705AA

6. Open the left front door.
7. Remove the left front wheel arch protector.

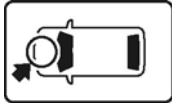


8. Close the left front door.
9. Repeat the same procedures on the other side.



Q9D1014AM

10. Remove the front upper grille.



4 RETAINING  
TABS

4 CLIPS



6 CLIPS

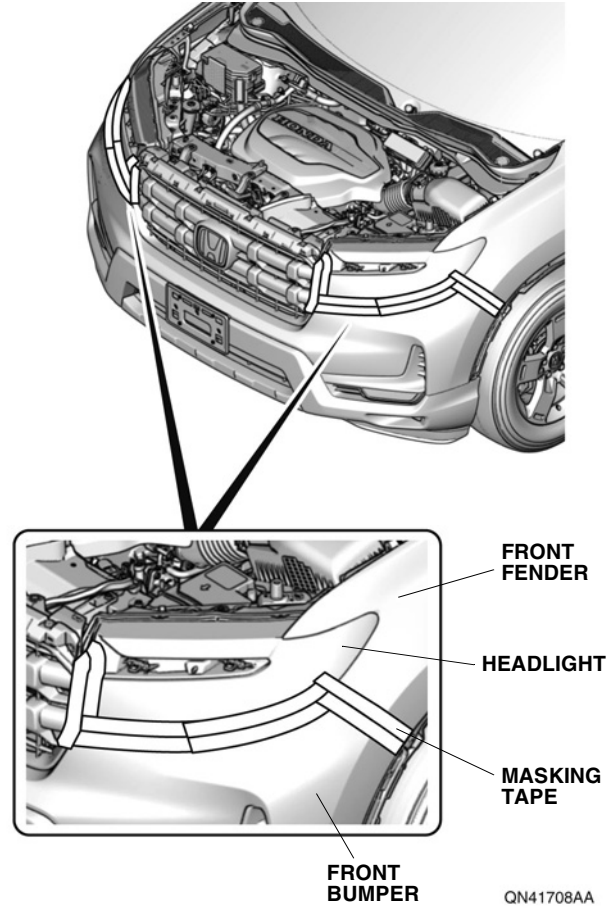
FRONT UPPER  
GRILLE

QN41707AA

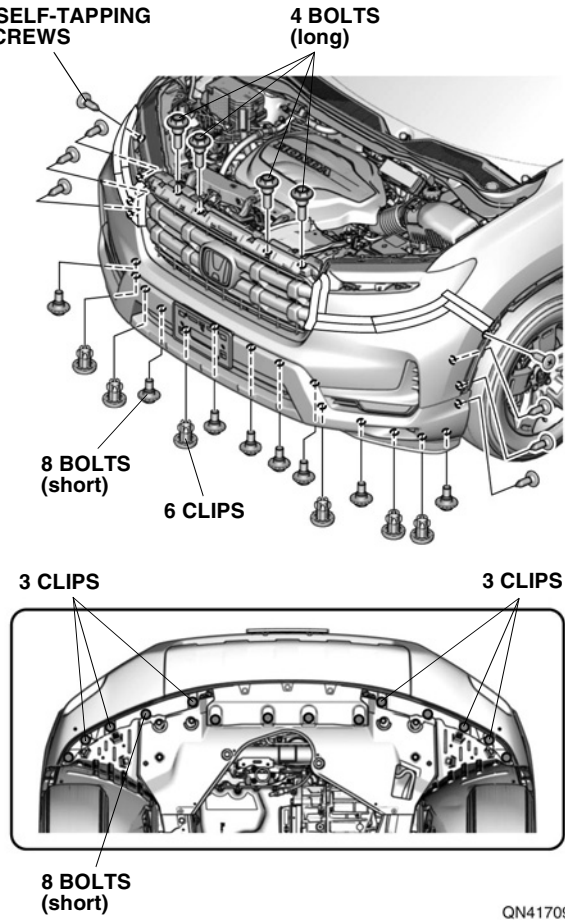
11. Attach masking tape to protect the vehicle.

## NOTE

Do not remove the masking tape until after the parts are installed.

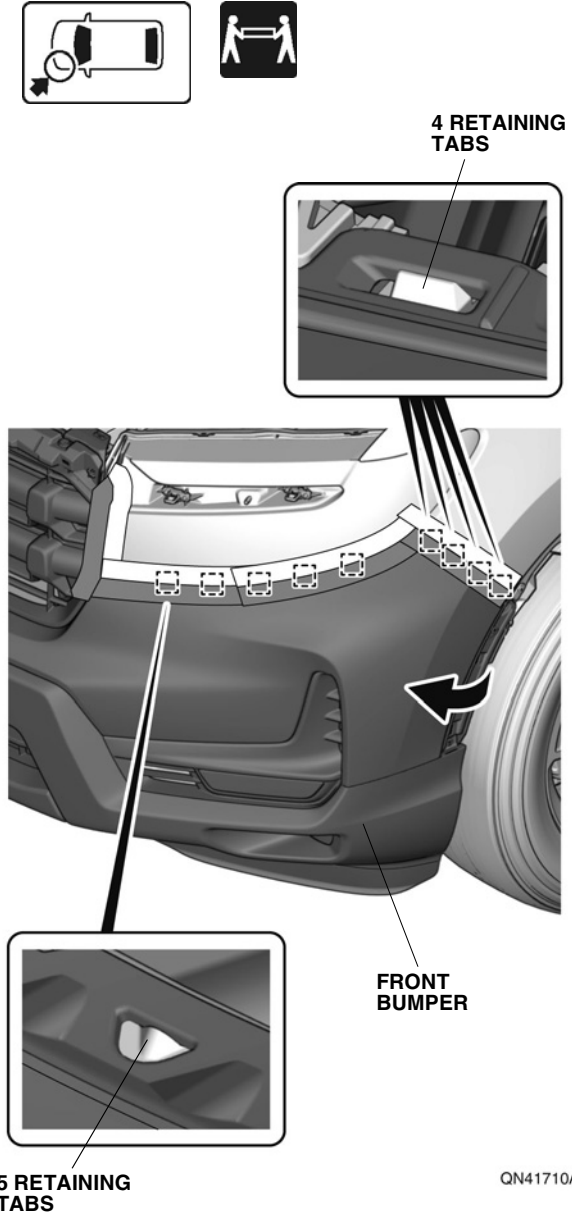


12. Remove the clips, bolts, and self-tapping screws.



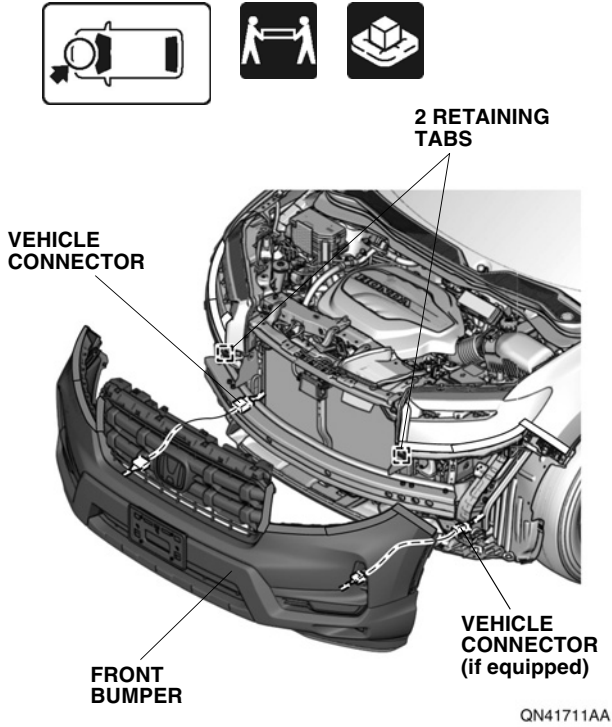
13. Release the retaining tabs.

NOTE
<ul style="list-style-type: none"><li>• Release the retaining tabs starting from outside working in.</li><li>• Make sure to release the retaining tabs in the correct orientation.</li></ul>

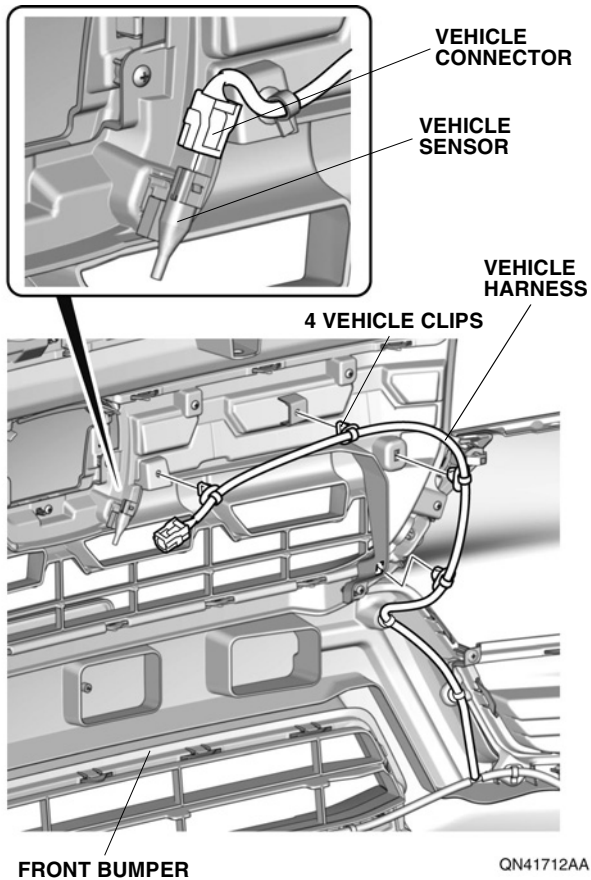


14. Repeat step 13 on the other side.

15. Remove the front bumper.

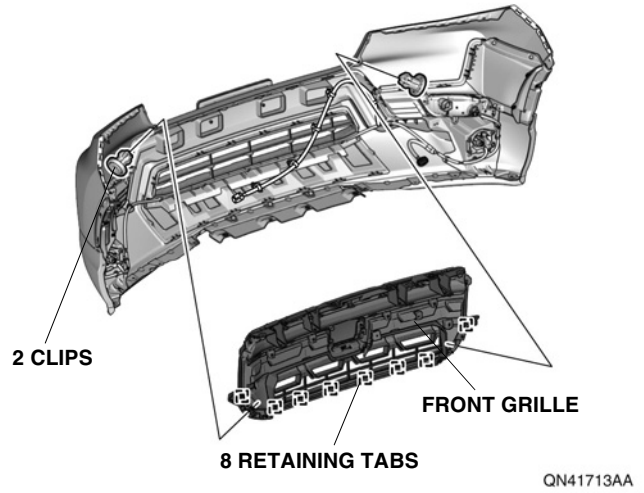


16. Unplug the vehicle connector.



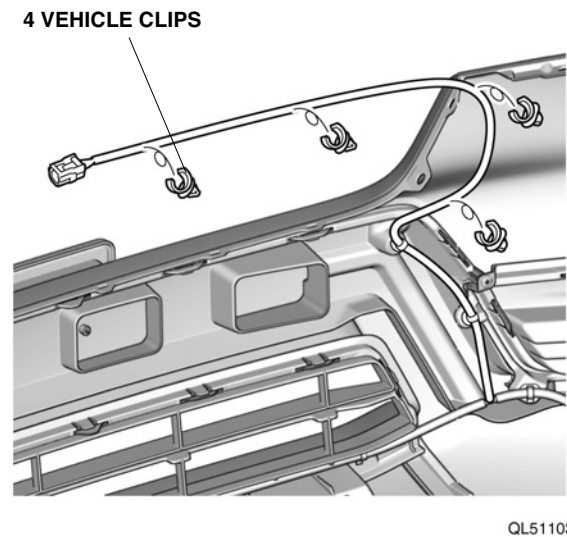
17. Release the vehicle harness.

18. Remove the front grille.



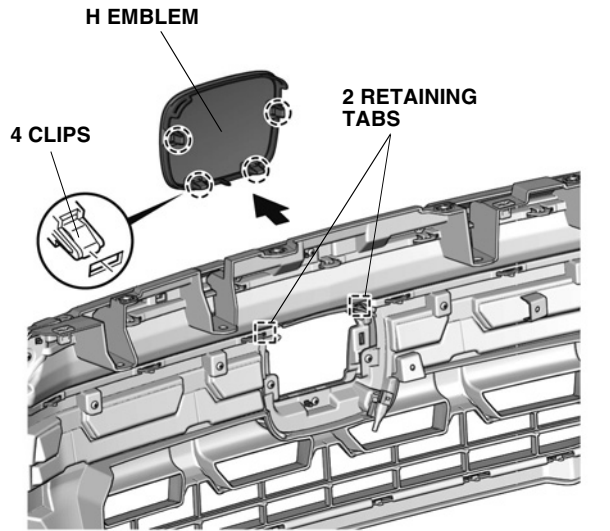
19. Remove the vehicle clips.

<b>NOTE</b>
Be careful not to damage the vehicle harness.



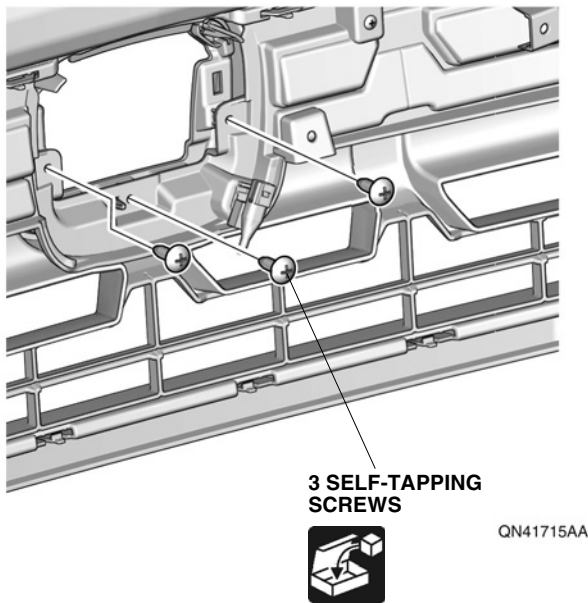


20. Remove the H emblem.



QN41714AA

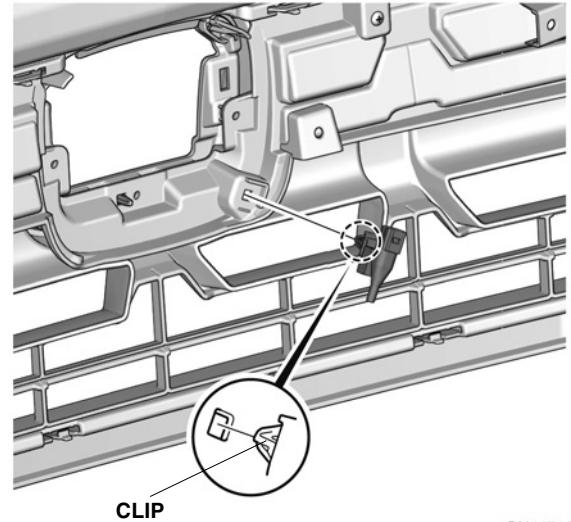
21. Remove the self-tapping screws.



QN41715AA

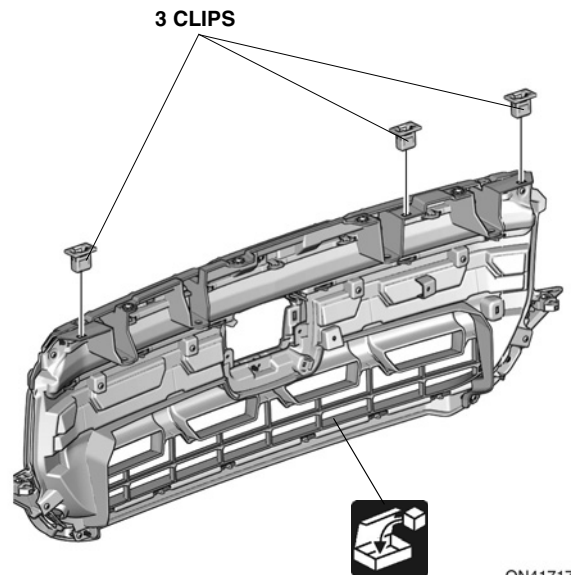
22. Remove the vehicle sensor.

**NOTE**  
Be careful not to damage the clip of the vehicle sensor.



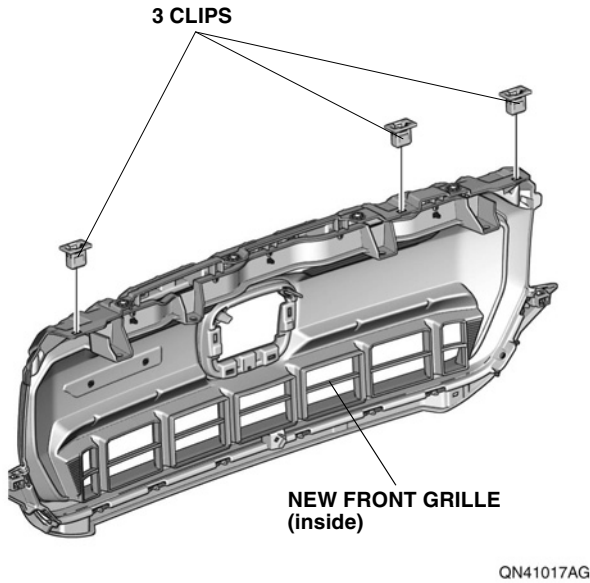
QN41716AA

23. Remove the clips.



QN41717AA

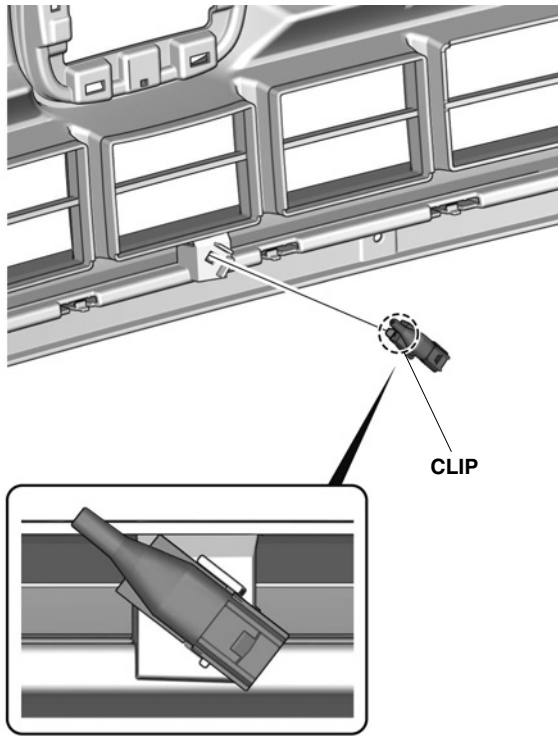
24. Install the clips.



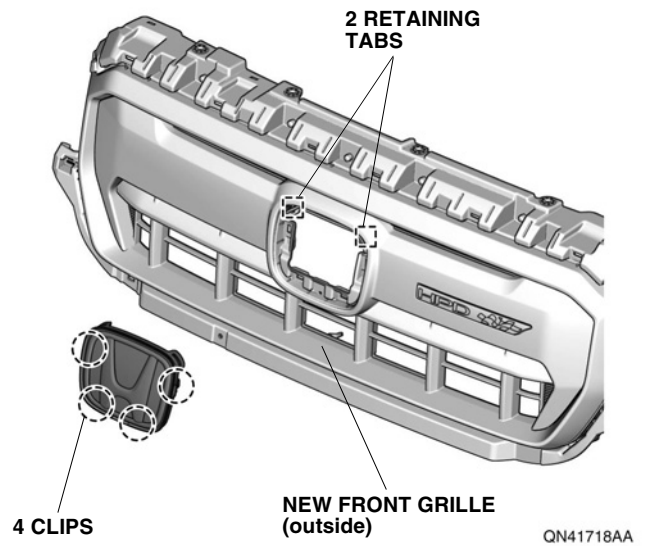
25. Install the vehicle sensor.

### NOTE

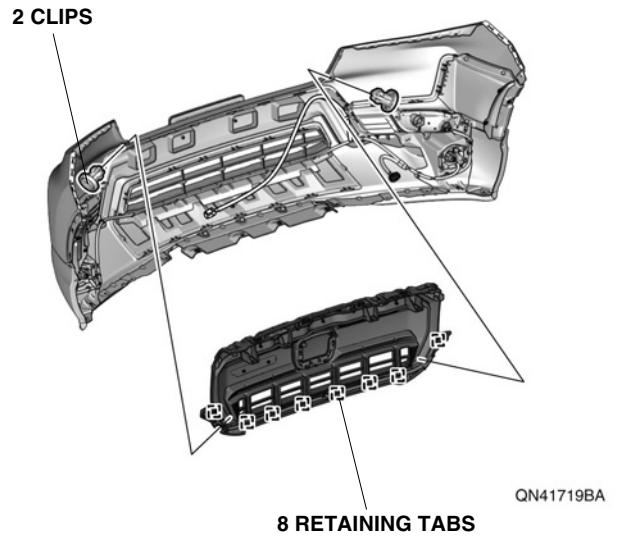
Make sure to install the vehicle sensor in the correct orientation.



26. Install the H emblem.



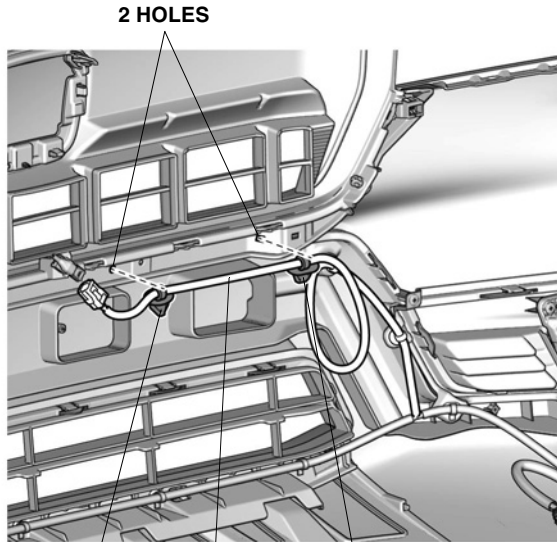
27. Install the new front grille.



28. Loosely install the wire tie with clip A and wire tie with clip B.

## NOTE

Make sure to install the wire ties with clip in the correct position.



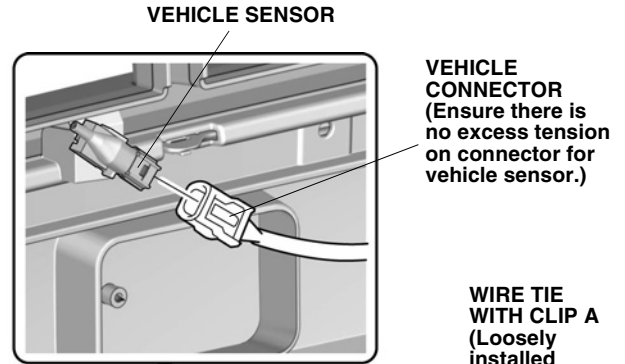
WIRE TIE WITH CLIP B  
(Loosely install.)

WIRE TIE WITH CLIP A  
(Loosely install.)

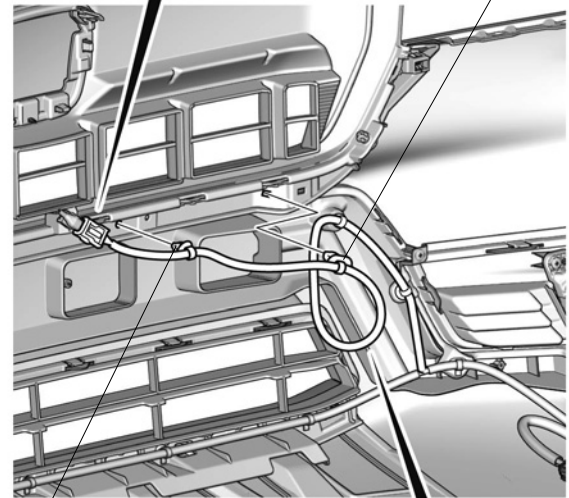
QN71201AA

VEHICLE HARNESS

29. Plug-in the vehicle connector.



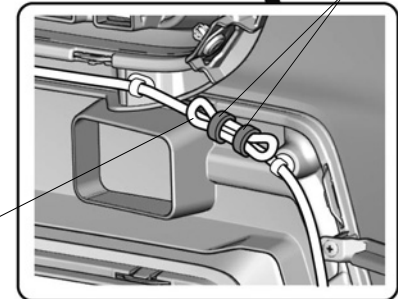
WIRE TIE WITH CLIP A  
(Loosely installed in step 28.)



WIRE TIE WITH CLIP B  
(Loosely installed in step 28.)

2 WIRE TIES

Bundle up the excess.



QN41720BA

30. Ensure the wire tie with clip A and wire tie with clip B are tight.
31. Secure the vehicle harness.

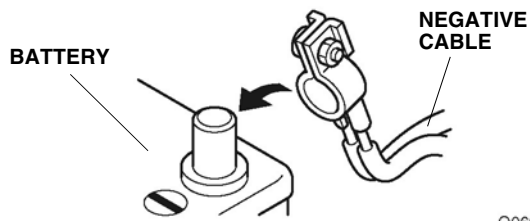
32. Check that all parts are installed and properly routed.

## NOTE

- Check that all harnesses are not pulled or pinched.
- Make sure all clips and wire ties are securely installed.

33. Install all removed parts except for the front bulkhead cover and intake air tube.

34. Connect the negative cable to the battery.



35. Install the front bulkhead cover and intake air tube.

36. Make sure all accessories and systems operate properly.

37. If necessary, restore the systems back to normal operation as described in the service information.

38. Press and hold the audio unit power button for 2 seconds to restore the audio and navi (if equipped) system functions.