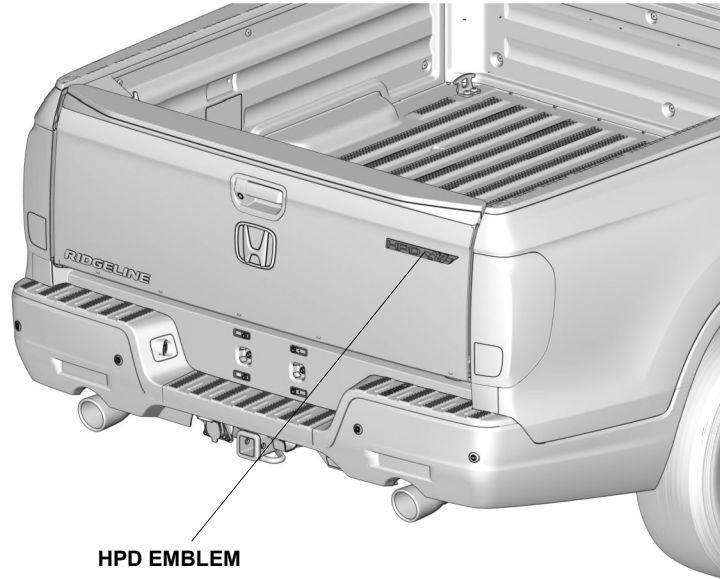




## INSTALLATION INSTRUCTIONS

<p>Accessory</p> <p>HPD EMBLEM</p>	<p>Application</p> <p>2020 RIDGELINE MODEL SERIES</p>	<p>Publications No.</p> <p><b>VERSION 1</b></p>
		<p>Issue Date</p> <p><b>JUL 2022</b></p>

### GENERAL VIEW



HPD EMBLEM

QK63001AN

### FOR YOUR SAFETY (Read carefully.)

#### Warning Symbols

Safety: Your safety, and the safety of others, is important. To help you make informed decisions about service procedures, we have provided safety messages where appropriate. Of course, it is not practical or possible to warn you about all the hazards associated with servicing a vehicle - you must use your own good judgment.

You will find important safety messages preceded by one of following symbols:

\*All symbols are not used in all installation instructions.



**DANGER** You will be killed or seriously hurt if you do not follow the instructions.



**WARNING** You can be killed or seriously hurt if you do not follow the instructions.



**CAUTION** You can be hurt if you do not follow the instructions.



**NOTICE** Gives advice to prevent damage to the product or vehicle or the environment.



**NOTE** Gives helpful information or instructions to be followed when using the product.

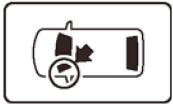


Indicates a prohibited action

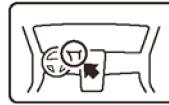
## Procedure and Location Icons

These icons indicate the work location and the worker's point of view.

\*All icons are not used in all installation instructions.



The location on the vehicle.



The location in the vehicle.  
(instrument panel.)



Wear eye protection.



Wear heavy gloves.



Use an assistant.



Place the part on a blanket.



Work perpendicular.



Remove any burrs.



Use touch-up paint and allow to dry.



Tighten to the specified torque.



Apply firm pressure while rolling, especially at the ends, to set the adhesive.



Press firmly.



Clean with isopropyl alcohol.



Return the original part to the customer.  
(Do not use.)

## Safety: General

- Be careful not to damage the vehicle or the parts.
- The illustrations may differ slightly from the actual accessory.

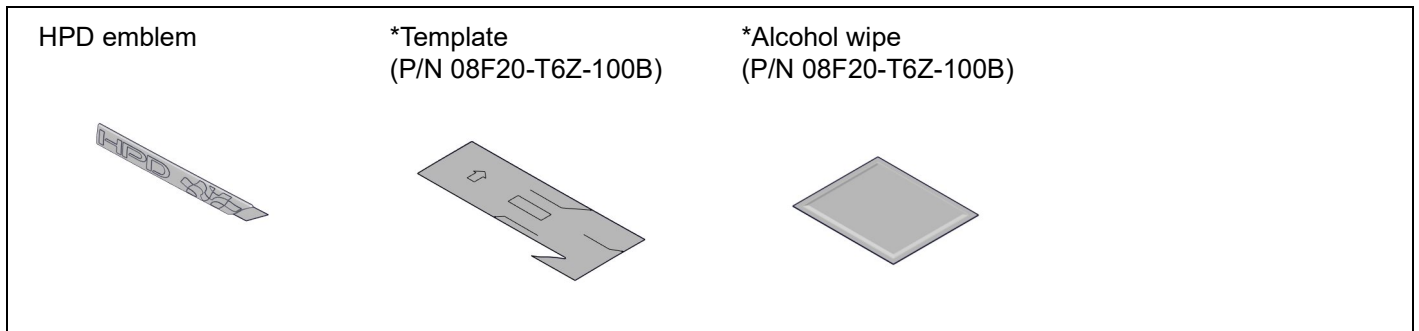
## Safety: For the Accessory

- Do not install the accessory on a dirty surface or in direct sunlight.
- Make sure the ambient air temperature is 60°F (15°C) or above when installing accessories that use a bonding material.
- When pressing the accessory firmly with the palm of your hand, be careful not to damage it or the vehicle.
- When applying adhesive material, make sure it is lined up properly before attaching. Once the adhesive material touches the surface, do not try to remove it. If you do, you could damage the part before the adhesive releases.
- Not to wash the vehicle for 24 hours to allow the adhesive to cure.

## PARTS LIST

HPD Emblem Kit  
(P/N 08F20-T6Z-100B)  
(P/N 08F20-T6Z-P00B)

(\*: The part differs depending on the kit.)



## REQUIRED TOOLS AND SUPPLIES

- Masking tape
- Tape measure
- Ruler

The following tool is available through the Honda Tool and Equipment Program:

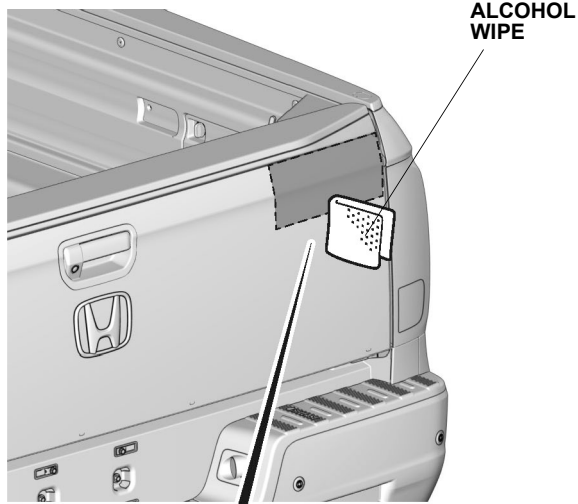
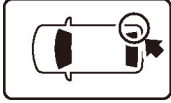
- Rubber Roller (T/N NHLE54D)

## INSTALLATION

1. Clean the attaching area.

### NOTE

Allow to dry thoroughly.



TAILGATE TRIM

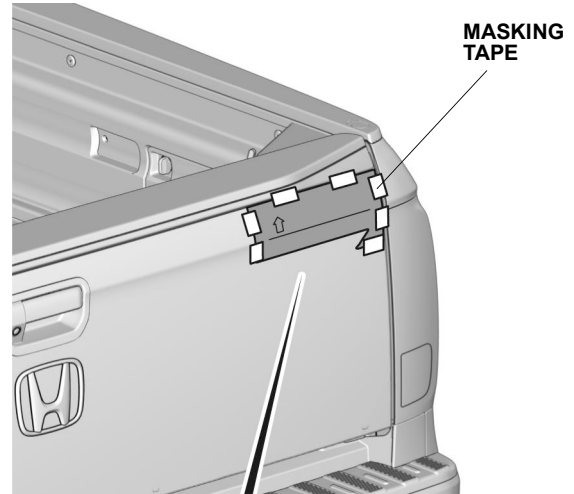
150 mm  
(5.91 in.)

375 mm  
(14.76 in.)

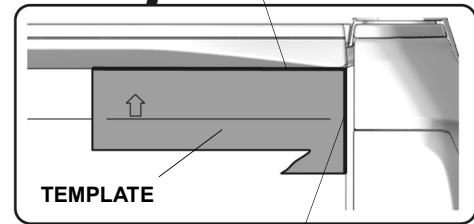
TAILGATE

QK63002AN

2. Secure the template.



Line up with the edge of the tailgate trim.

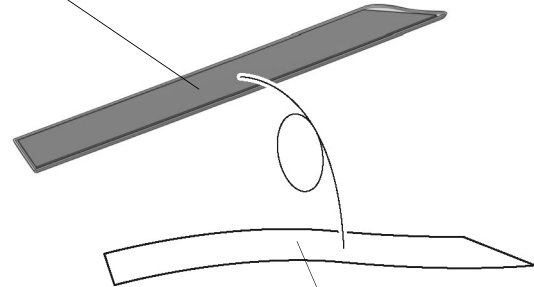


Line up with the edge of the tailgate.

QK63003AN

3. Remove the adhesive backing.

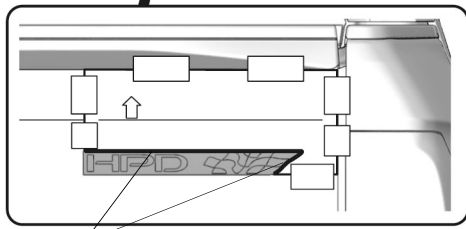
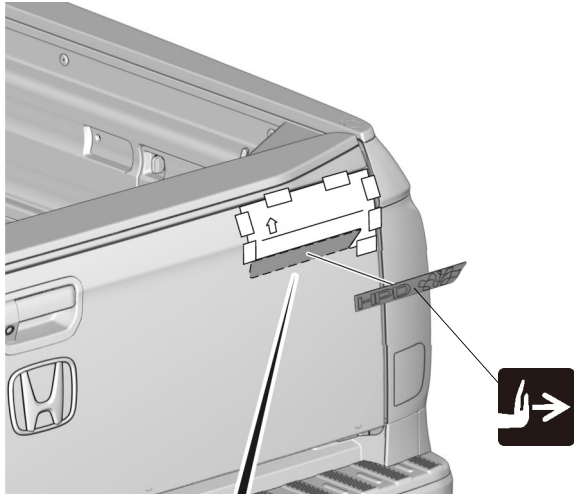
HPD EMBLEM



ADHESIVE BACKING

QK63004AN

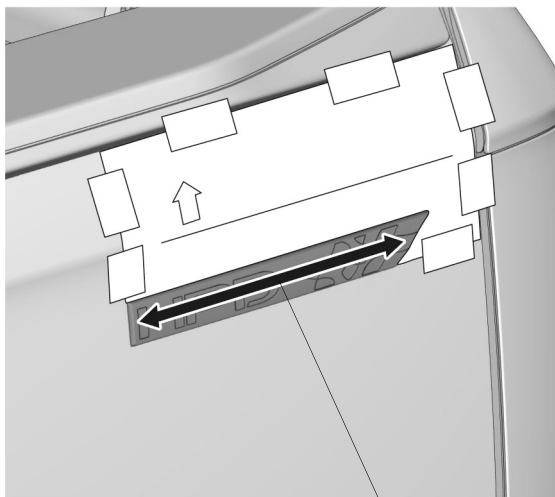
4. Attach the HPD emblem.



Line up.

QK63005AN

5. Secure the HPD emblem.



QK70201AN

6. Remove the template.
7. Check that all parts are installed properly.