



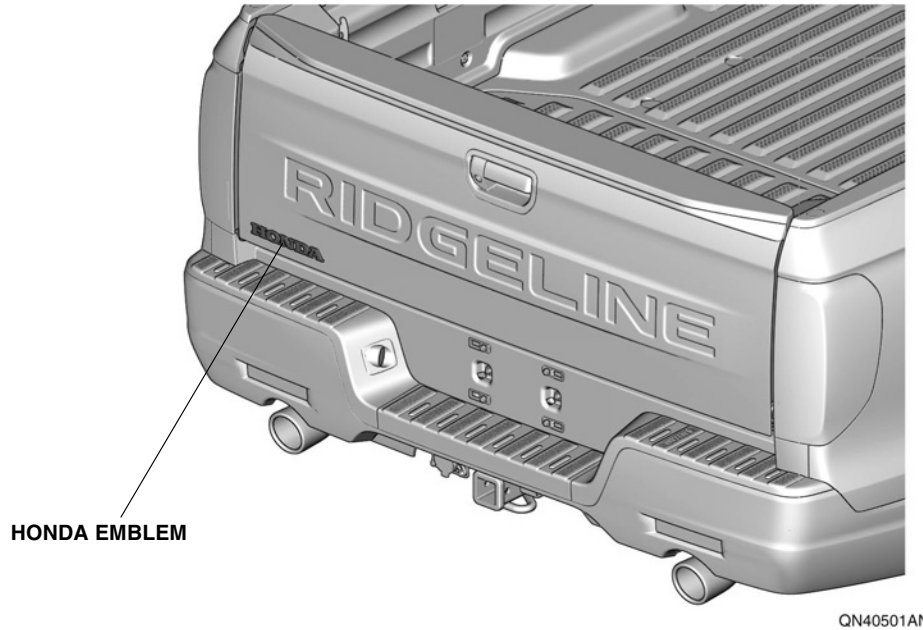
INSTALLATION INSTRUCTIONS

Accessory
BLACK EMBLEM

Application
**2024 RIDGELINE
MODEL SERIES**

Publications No.
VERSION 1
Issue Date
NOV 2023

GENERAL VIEW



FOR YOUR SAFETY (Read carefully.)

Warning Symbols

Safety: Your safety, and the safety of others, is important. To help you make informed decisions about service procedures, we have provided safety messages where appropriate. Of course, it is not practical or possible to warn you about all the hazards associated with servicing a vehicle - you must use your own good judgment.

You will find important safety messages preceded by one of the following symbols:

*All symbols are not used in all installation instructions.



DANGER

You will be killed or seriously hurt if you do not follow the instructions.



WARNING

You can be killed or seriously hurt if you do not follow the instructions.



CAUTION

You can be hurt if you do not follow the instructions.

NOTICE

Gives advice to prevent damage to the product, vehicle, the environment or other property.

NOTE

Gives helpful information or instructions to be followed when installing this product.

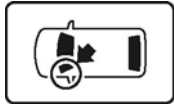


Indicates a prohibited action.

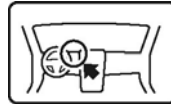
Procedure and Location Icons

These icons indicate the work location and the worker's point of view.

*All icons are not used in all installation instructions.



The location on the vehicle.



The location in the vehicle.
(Instrument panel.)



Wear eye protection.



Wear heavy gloves.



Use an assistant.



Place the part on a blanket.



Work perpendicular.



Remove any burrs.



Use touch-up paint and allow to dry.



Tighten to the specified torque.



Apply firm pressure while rolling, especially at the ends, to set the adhesive.



Press firmly.



Clean with isopropyl alcohol.



Return the original part to the customer.
(Do not reuse.)

Safety: General

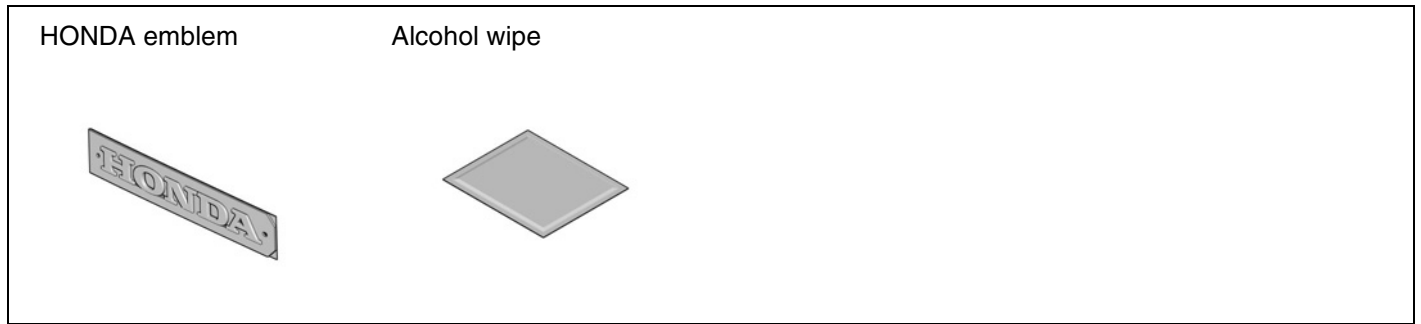
- Be careful not to damage the vehicle or the parts.
- The illustrations may differ slightly from the actual accessory.

Safety: For the Accessory

- Always use the parts and tools specified in the installation instruction.
- Do not install the accessory on a dirty surface or in direct sunlight.
- Make sure the ambient air temperature is 60°F (15°C) or above when installing accessories that use adhesive material.
- When pressing the accessory firmly with the palm of your hand, be careful not to damage it or the vehicle.
- When applying adhesive material, make sure it is lined up properly before attaching. Once the adhesive material touches the surface, do not try to remove it. If you do, you could damage the part.
- Do not wash the vehicle for 24 hours to allow the adhesive to cure.

PARTS LIST

Black Emblem Kit (P/N 08F20-T6Z-100D)



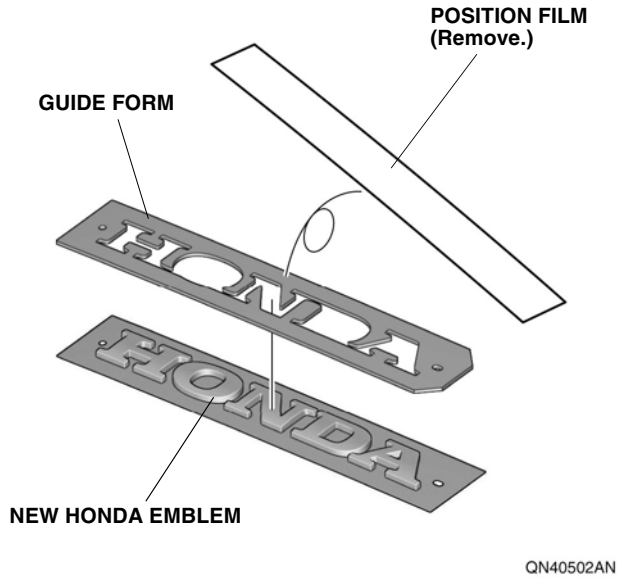
REQUIRED TOOLS AND SUPPLIES

- Masking tape
- Nylon string

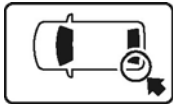
The following tool is available through the Honda Tool and Equipment Program:
Rubber Roller (T/N MHLE54D)

INSTALLATION

1. Remove the guide form.



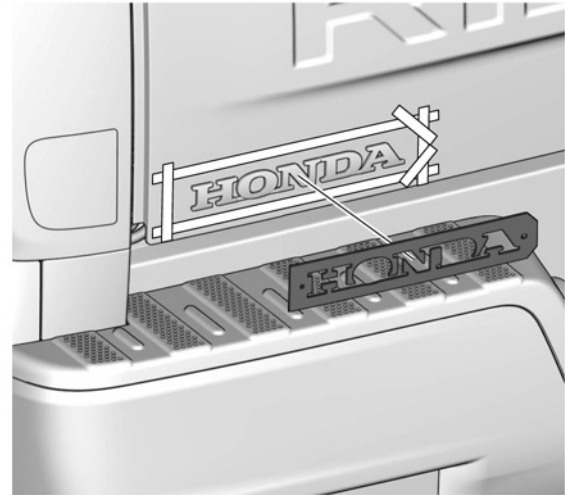
2. Install the guide form.



3. Attach masking tape.



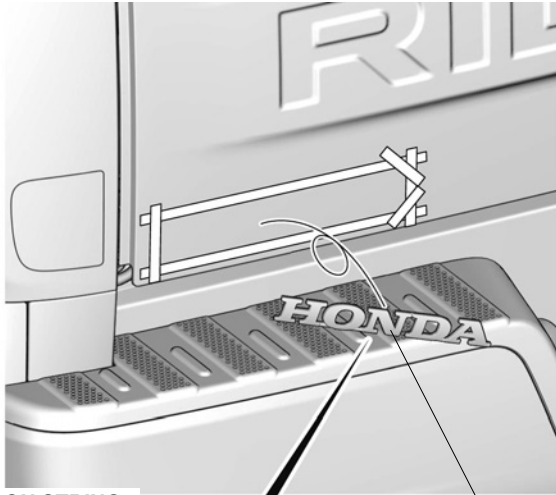
4. Remove the guide form.



5. Remove the vehicle HONDA emblem.

NOTE

- Do not damage the tailgate when removing the vehicle HONDA emblem with the nylon string.
- Make sure to thoroughly remove the adhesive tapes from the tailgate.



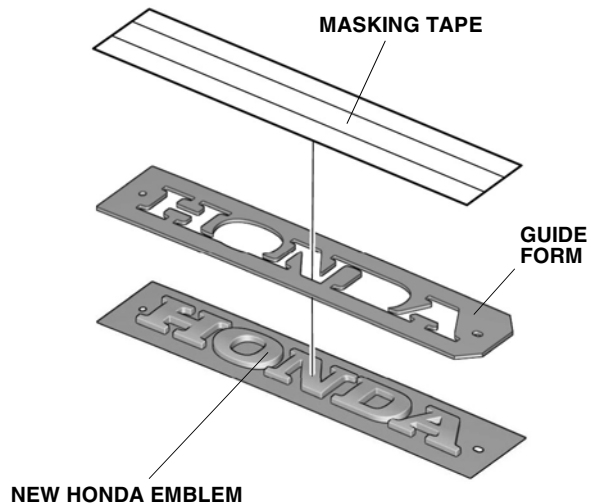
NYLON STRING
MOVEMENT

Do not reuse.



QN40506AN

6. Install the guide form.



NEW HONDA EMBLEM

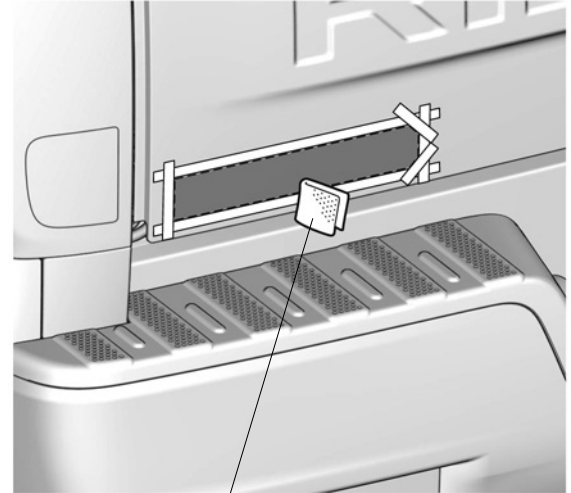
QN40507AN

7. Attach masking tape.

8. Clean the attaching area.

NOTE

Allow to dry thoroughly.



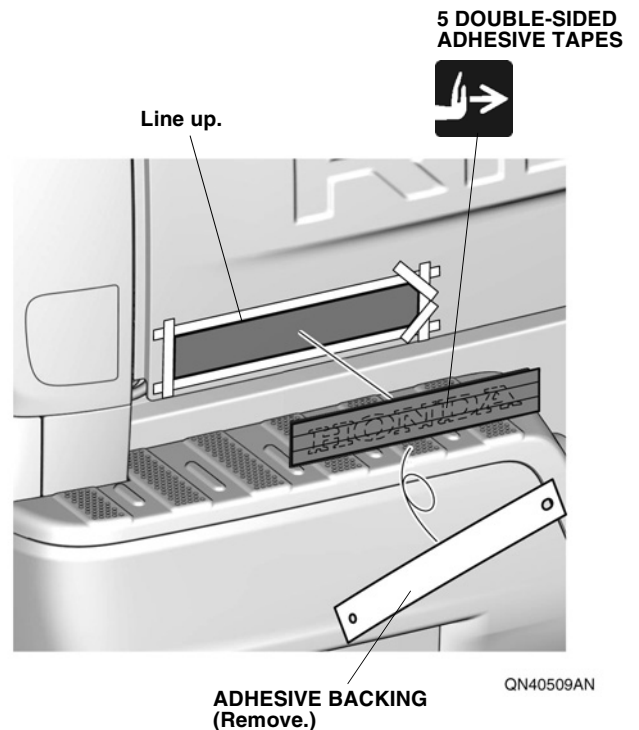
ALCOHOL WIPE

QN40508AN

9. Attach the new HONDA emblem.

NOTE

Check the position of the double-sided adhesive tapes and make sure to press firmly.



Line up.

5 DOUBLE-SIDED
ADHESIVE TAPES



ADHESIVE BACKING
(Remove.)

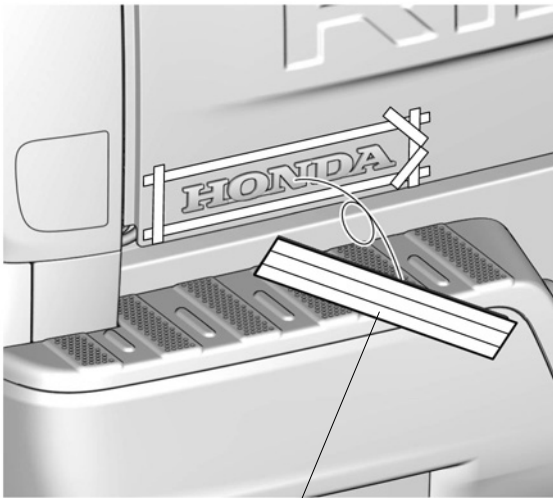
QN40509AN

10. Secure the new HONDA emblem.



QN40510AN

11. Remove the guide form.



Remove.

QN40511AN

12. Remove the masking tape.
13. Check that all parts are installed properly.