

# Germain Honda of College Hills



## INSTALLATION INSTRUCTIONS

### Accessory

REAR SPLASH GUARDS  
P/N 08P09-T6Z-100

### Application

2020 RIDGELINE MODEL  
SERIES

### Publications No.

VERSION 1

### Issue Date

JUL 2022

## PARTS LIST

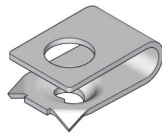
Left rear splash guard



Right rear splash guard



4 Spring nuts



4 Self-tapping screws, 5 x 20 mm

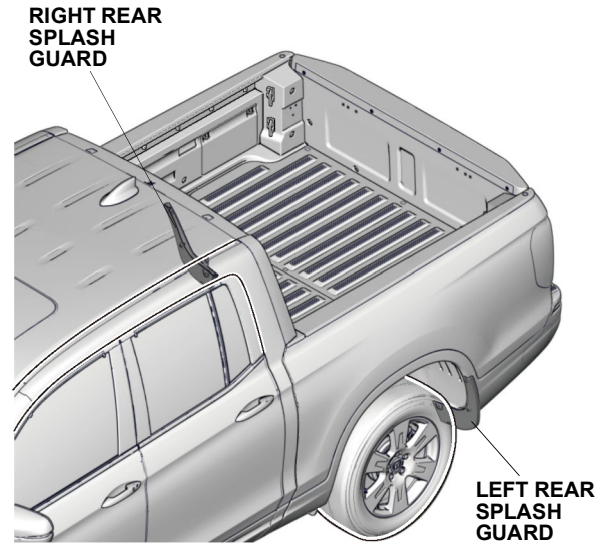


## TOOLS AND SUPPLIES REQUIRED

Phillips screwdriver

Stubby Phillips screwdriver

## Illustration of the Rear Splash Guards on the Vehicle



QE02805BA

## INSTALLATION

**Customer Information:** The information in this installation instruction is intended for use only by skilled technicians who have the proper tools, equipment, and training to correctly and safely add equipment to your vehicle. These procedures should not be attempted by "do-it-yourselfers."

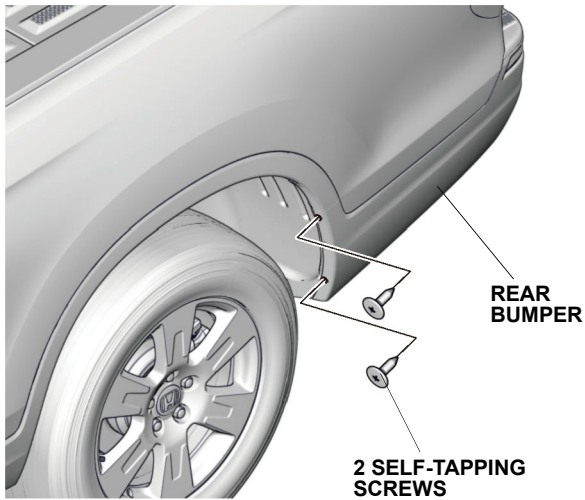
### NOTE:

- Do not damage the body paint finish.
- Clean and wax the areas to be covered with a high-quality paste wax.

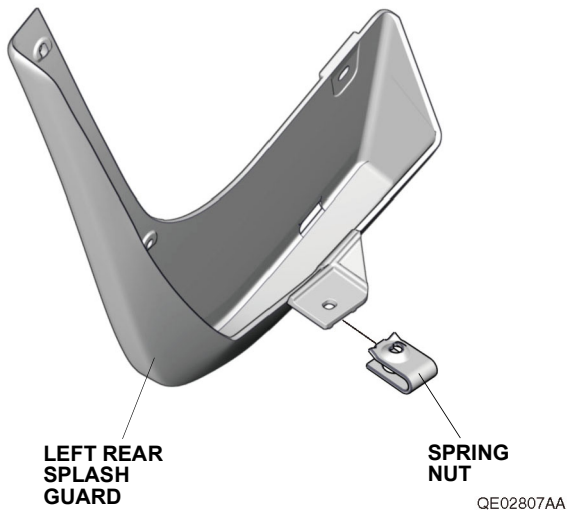
# Germain Honda of College Hills

## Installing the Rear Splash Guards

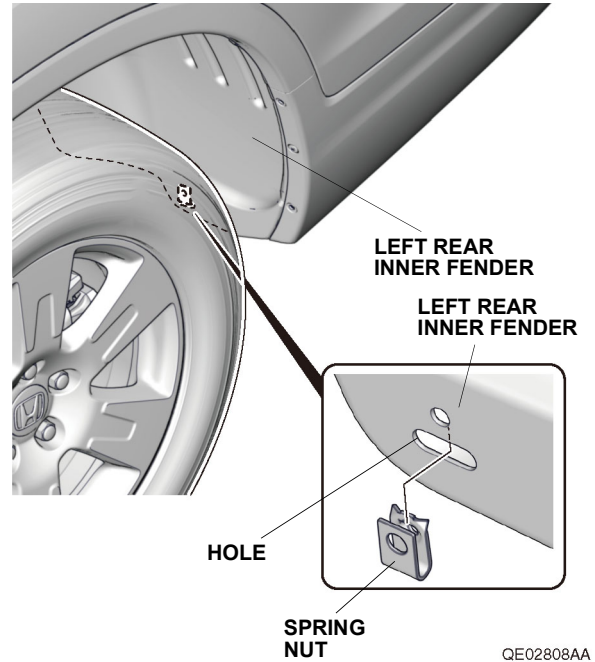
1. Remove the two self-tapping screws from the rear bumper.



2. Install one spring nut on the left rear splash guard as shown.  
NOTE: Make sure the spring nut is installed flat side down.

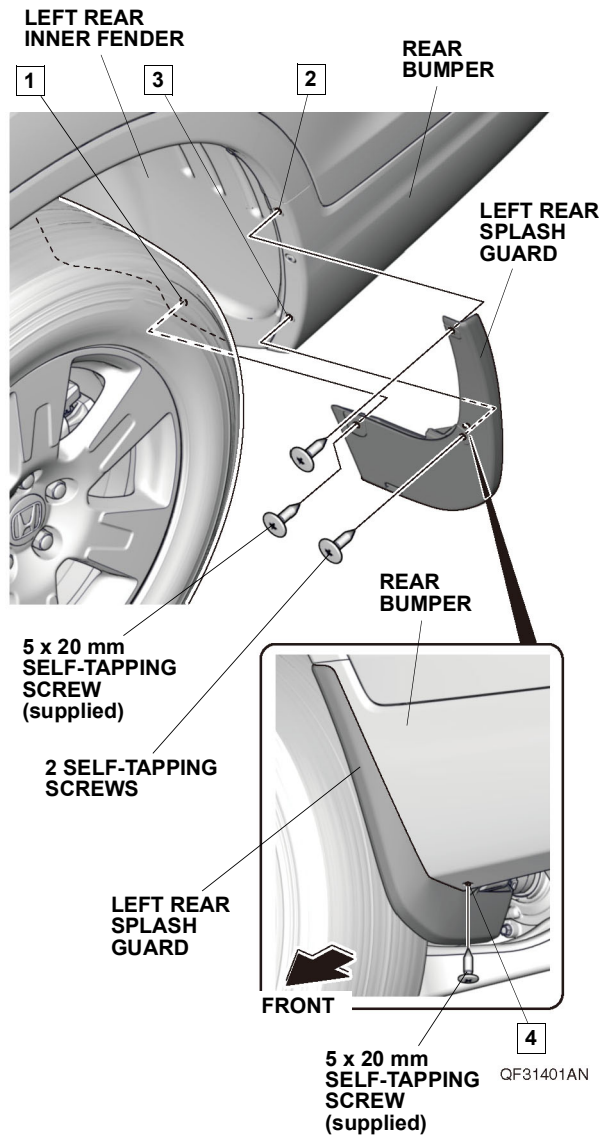


3. Install one spring nut on the left rear inner fender as shown.  
NOTE: Make sure the spring nut is installed flat forward.



# Germain Honda of College Hills

- Loosely install the left rear splash guard onto the rear bumper and left rear inner fender with the two 5 x 20 mm self-tapping screws and two self-tapping screws removed in step 1.



- While holding the left rear splash guard against the rear bumper and the left rear inner fender, tighten the self-tapping screws in the order shown.  
NOTE: Make sure there is no gap between the left rear splash guard and the vehicle body. If there is a gap, loosen the self-tapping screws, hold the splash guard against the body, and retighten the screws.
- Repeat steps 1 through 5 to install the right rear splash guard.