

Germain Honda of College Hills



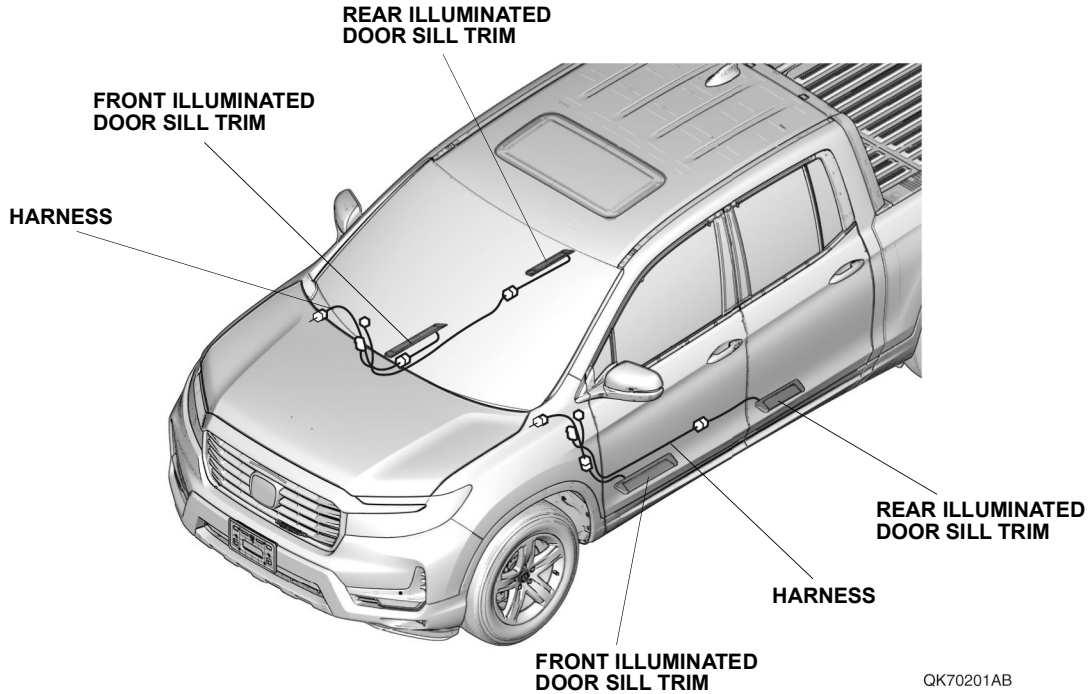
INSTALLATION INSTRUCTIONS

Accessory
ILLUMINATED
DOOR SILL TRIMS

Application
2023 RIDGELINE MODEL
SERIES

Publications No.
VERSION 1
Issue Date
JUL 2022

GENERAL VIEW



FOR YOUR SAFETY (Read carefully.)

Warning Symbols

Safety: Your safety, and the safety of others, is important. To help you make informed decisions about service procedures, we have provided safety messages where appropriate. Of course, it is not practical or possible to warn you about all the hazards associated with servicing a vehicle - you must use your own good judgment.

You will find important safety messages preceded by one of following symbols:

*All symbols are not used in all installation instructions.

⚠ DANGER

You will be killed or seriously hurt if you do not follow the instructions.

⚠ WARNING

You can be killed or seriously hurt if you do not follow the instructions.

⚠ CAUTION

You can be hurt if you do not follow the instructions.

NOTICE

Gives advice to prevent damage to the product or vehicle or the environment.

NOTE

Gives helpful information or instructions to be followed when using the product.



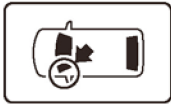
Indicates a prohibited action

Germain Honda of College Hills

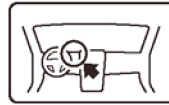
Procedure and Location Icons

These icons indicate the work location and the worker's point of view.

*All icons are not used in all installation instructions.



The location on the vehicle.



The location in the vehicle.
(instrument panel.)



Wear eye protection.



Wear heavy gloves.



Use an assistant.



Place the part on a blanket.



Work perpendicular.



Remove any burrs.



Use touch-up paint and allow to dry.



Tighten to the specified torque.



Apply firm pressure while rolling, especially at the ends, to set the adhesive.



Press firmly.

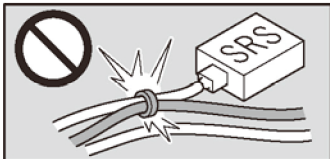


Clean with isopropyl alcohol.

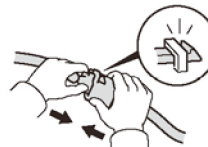


Return the original part to the customer.
(Do not use.)

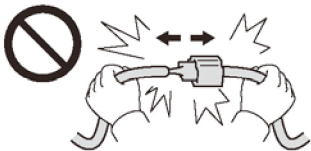
Wire Harness Routing Precautions



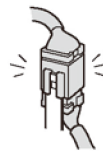
Do not secure the accessory harness and SRS harness together. (except for instruction cases).



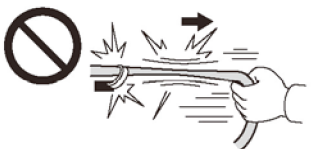
Push the connectors and terminals together until they lock.



Do not pull the harness to unplug the connectors.



Install removed connectors in their original location.



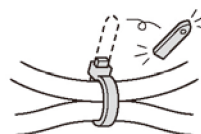
Do not pull the harness.



Secure the accessory harness as shown.



Do not pinch the harness.



Cut off the excess wire tie.

Germain Honda of College Hills

Safety: General

- Observe all safety notes and precautions described in the service information, in addition to those described in this Installation Instruction. Be extremely careful for your safety and safety of others.
- Be careful not to damage the vehicle or the parts.
- Be extremely careful when handling retaining tabs and clips.
- Note the locations of the parts before removing them so they can be properly installed in their original positions.
- The illustrations may differ slightly from the actual accessory.

Safety: Electric Parts



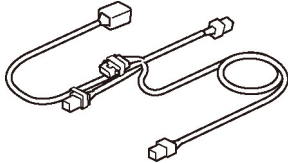

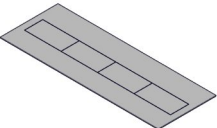
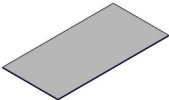
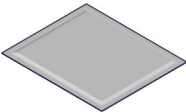
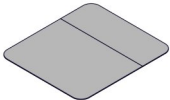
- Always disconnect the negative cable from the battery before beginning work.

Safety: Accessory

- Always use the parts and tools specified in the installation instructions.
- Do not install the accessory on a dirty surface or in direct sunlight.
- Make sure the ambient air temperature is 60°F (15°C) or above when installing accessories that use a bonding material.
- When pressing the accessory firmly with the palm of your hand, be careful not to damage it or the vehicle.
- When applying adhesive material, make sure it is lined up properly before attaching. Once the adhesive material touches the surface, do not try to remove it. If you do, you could damage the part before the adhesive releases.
- Not to wash the vehicle for 24 hours to allow the adhesive to cure.

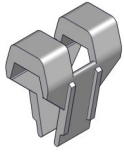
PARTS LIST

Illuminated Door Sill Trims Kit (P/N 08E12-T6Z-100B) (P/N 08E12-T6Z-100C)

Front illuminated door sill trims (2) 	Rear illuminated door sill trims (2) 	Harnesses (2) 	Wire ties (25) 
Fuse labels (2) 	Aluminum tapes (2) 	Alcohol wipes (4) 	Protective tapes (2) 

Germain Honda of College Hills

Protective clips (4)



REQUIRED TOOLS AND SUPPLIES

- 10 mm Open end wrench
- Ruler
- Scissors
- Diagonal cutters
- Shop towel
- Isopropyl alcohol
- Masking tape

The following tools are available through the Honda Tool and Equipment Program:

- Trim Tool Set (T/N SOJATP2014)
- Plastic Trim Tool (T/N SILTRIMTL10)

Germain Honda of College Hills

INSTALLATION

Using isopropyl alcohol and a shop towel, thoroughly clean the surface where the accessory adhesive will attach.

NOTE

- Always use isopropyl alcohol where you see this symbol.
- Do not pour isopropyl alcohol directly on the vehicle surface.
- Let the isopropyl alcohol completely evaporate before attaching the adhesive material.



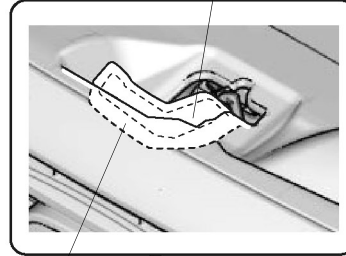
1. Wrap a shop towel.

NOTE

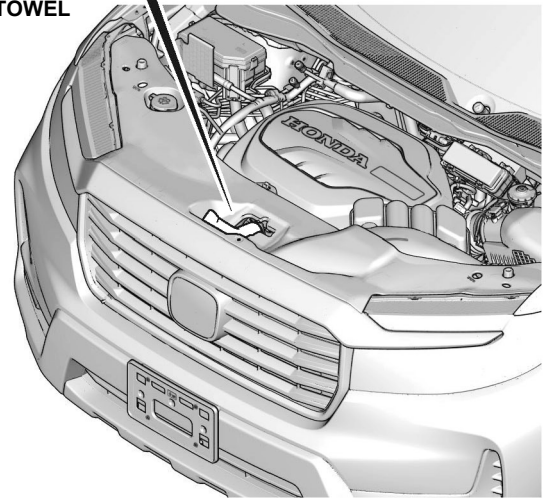
Do not remove the shop towel until after the parts are installed.



HOOD LATCH LEVER



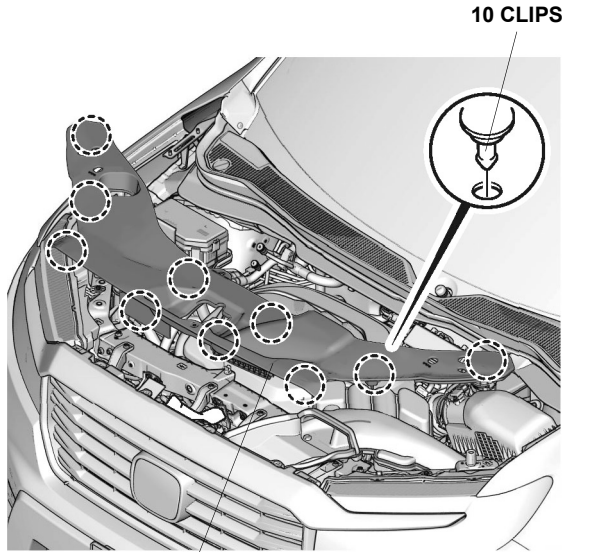
SHOP TOWEL



QK63002AG

Germain Honda of College Hills

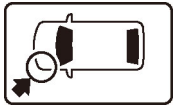
2. Remove the front bulkhead cover.



FRONT BULKHEAD COVER

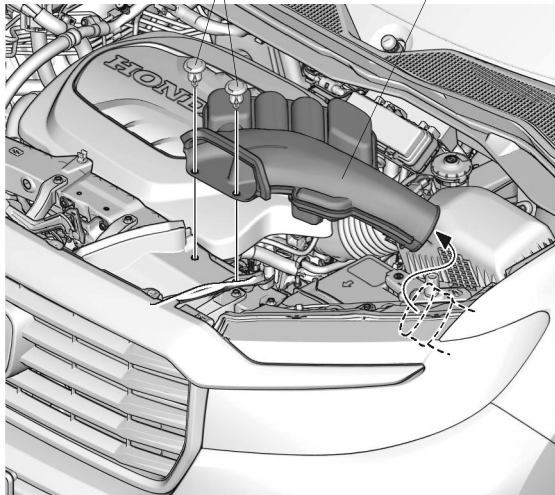
QK63003AG

3. Remove the intake air tube.



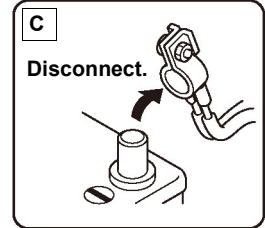
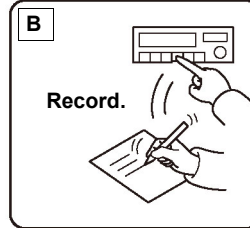
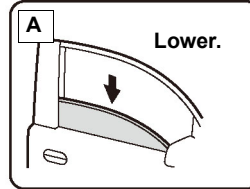
2 CLIPS

INTAKE AIR TUBE



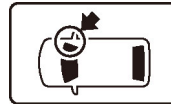
QK63004AG

4. Disconnect the negative cable from the battery.

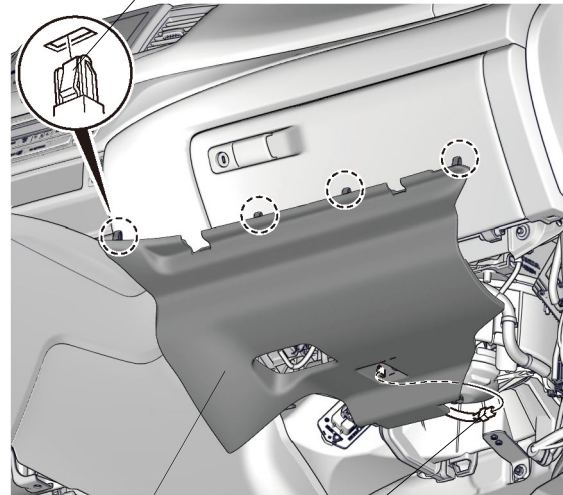


QCD0502BM

5. Remove the passenger's dashboard under cover.



4 CLIPS



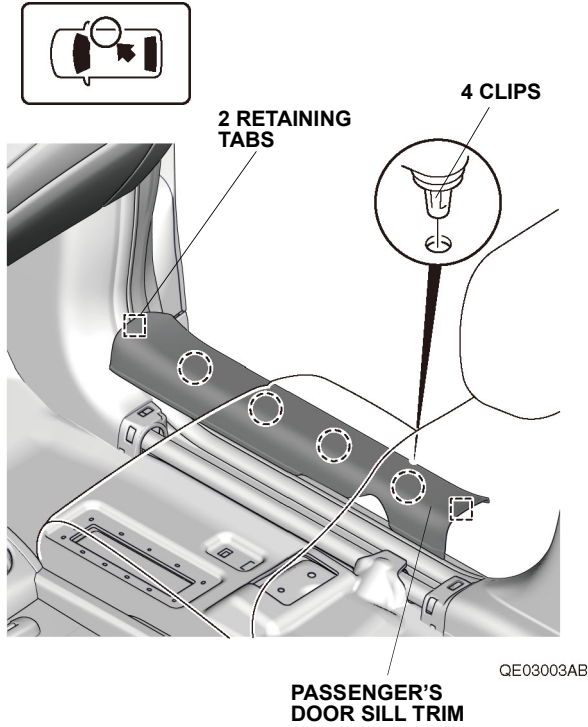
PASSENGER'S DASHBOARD UNDER COVER

VEHICLE CONNECTOR (if equipped)

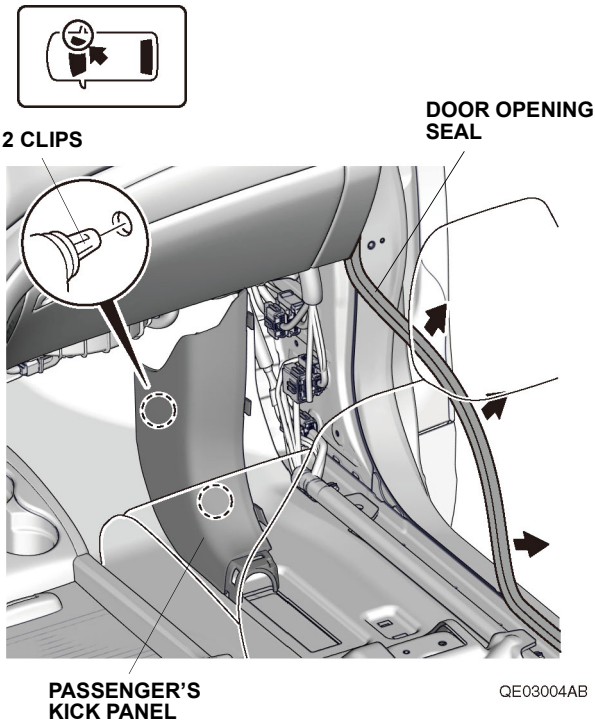
QE03002AB

Germain Honda of College Hills

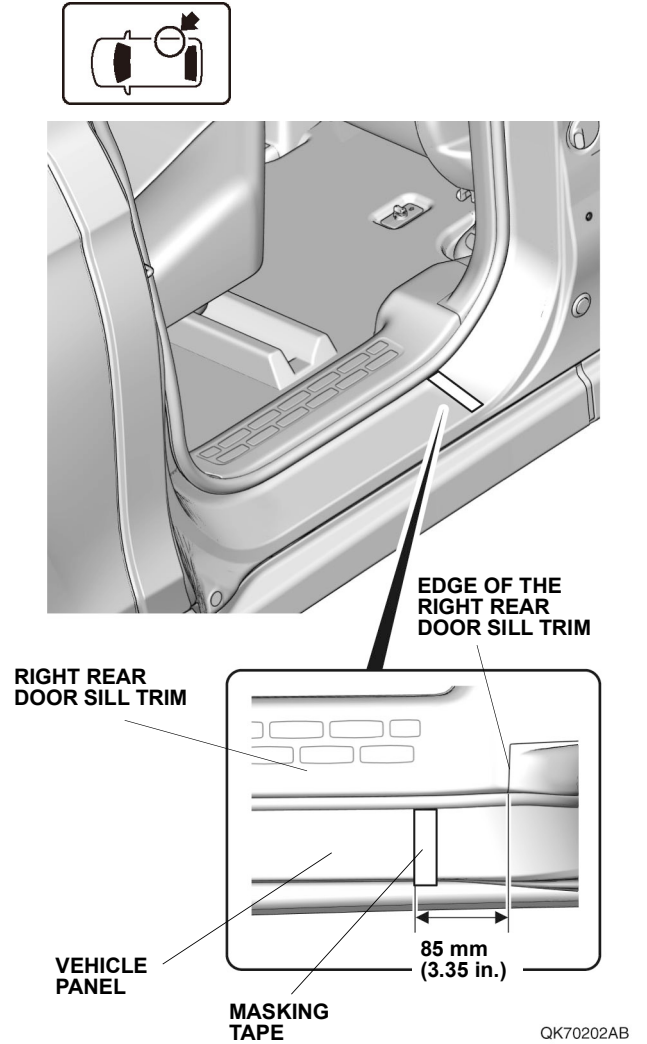
6. Remove the passenger's door sill trim.



7. Remove the passenger's kick panel.

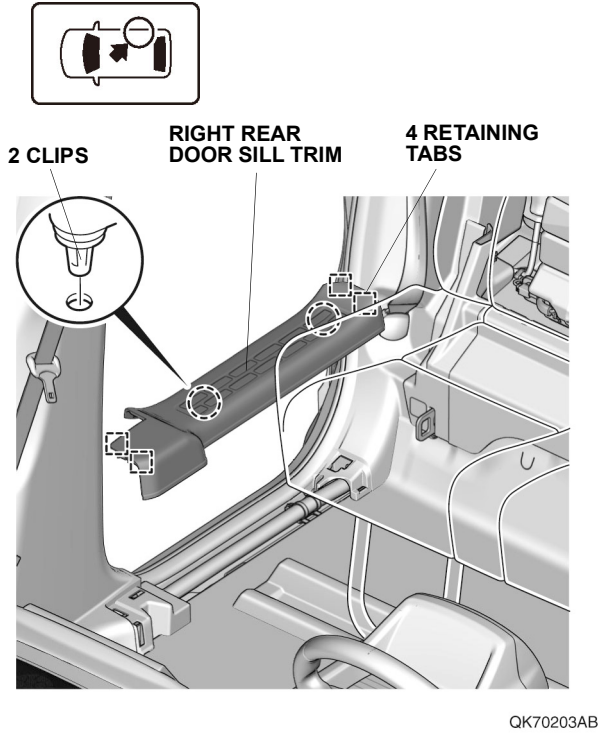


8. Attach masking tape.

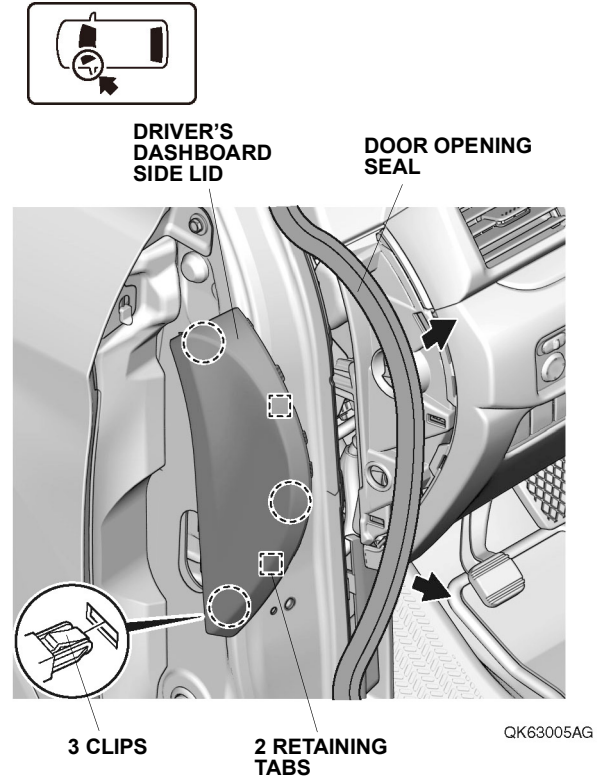


Germain Honda of College Hills

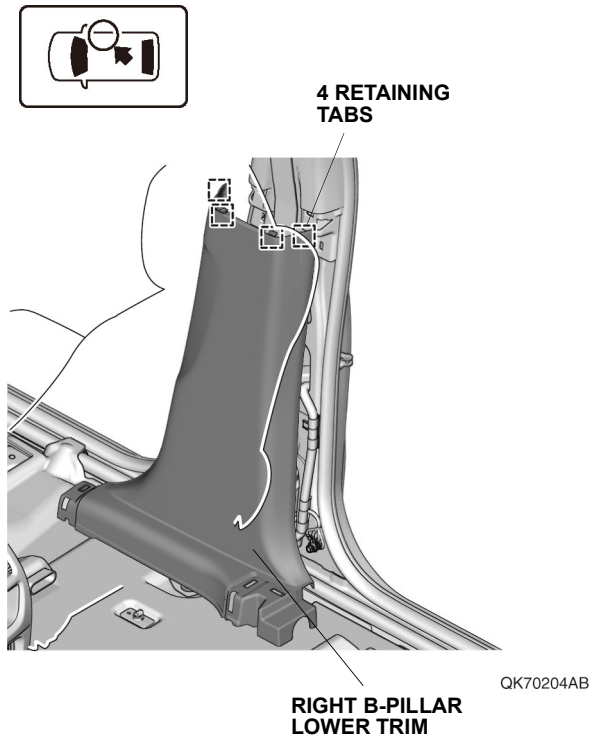
9. Remove the right rear door sill trim.



11. Remove the driver's dashboard side lid.

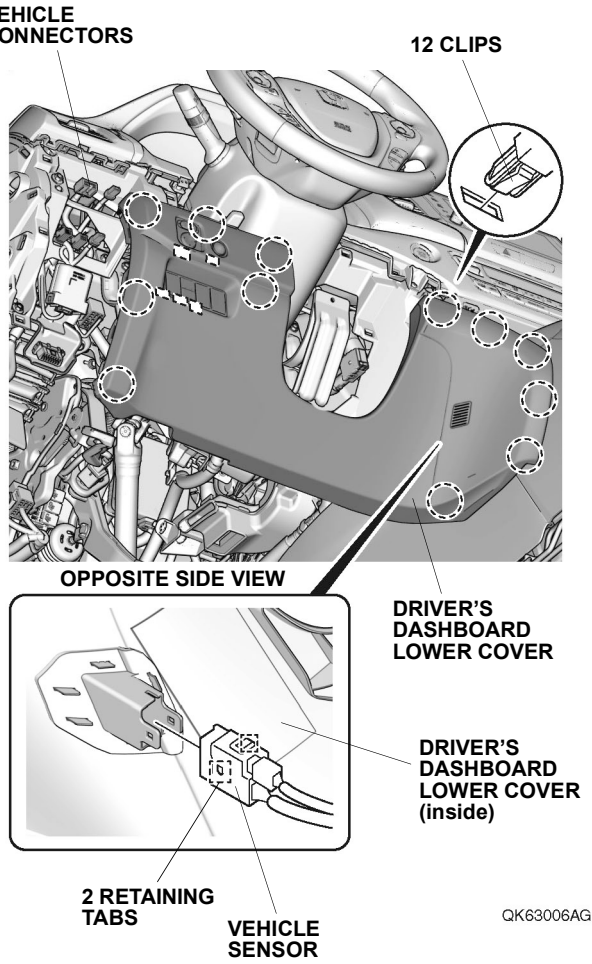


10. Remove the right B-pillar lower trim.

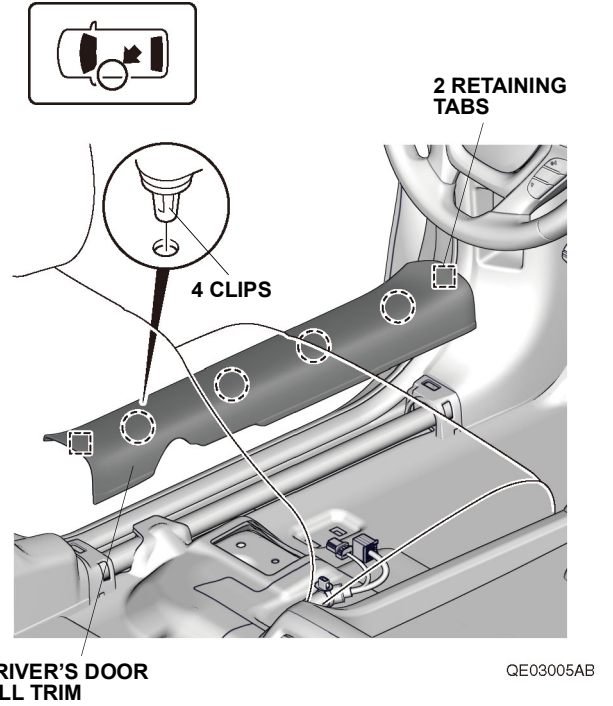


Germain Honda of College Hills

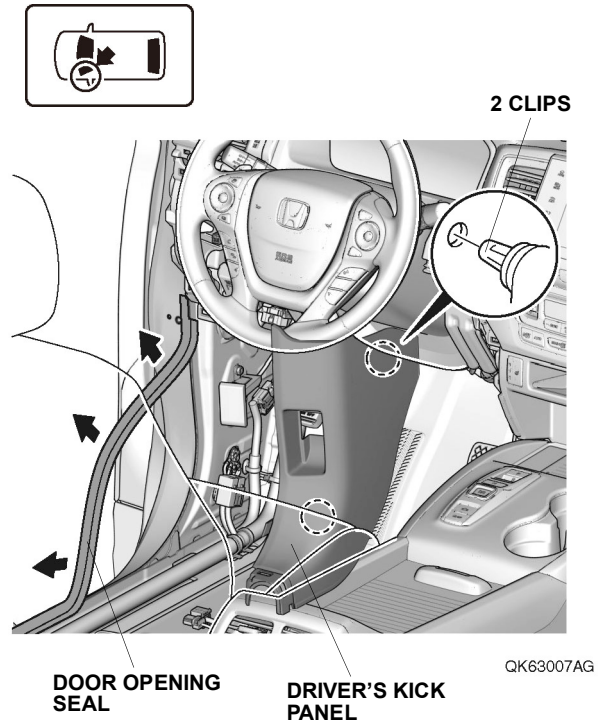
12. Remove the driver's dashboard lower cover.



13. Remove the driver's door sill trim.

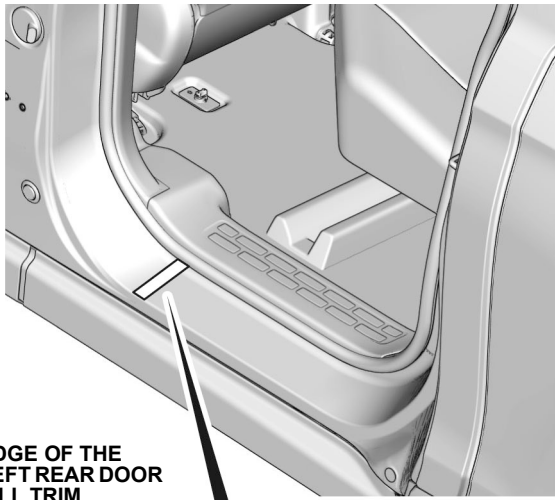
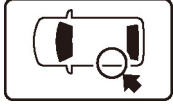


14. Remove the driver's kick panel.

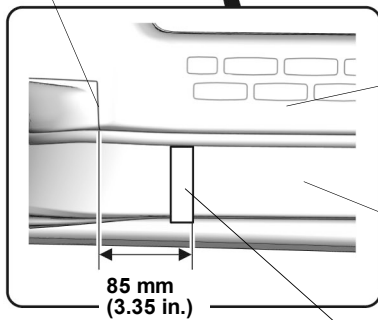


Germain Honda of College Hills

15. Attach masking tape.



EDGE OF THE
LEFT REAR DOOR
SILL TRIM



LEFT REAR DOOR
SILL TRIM

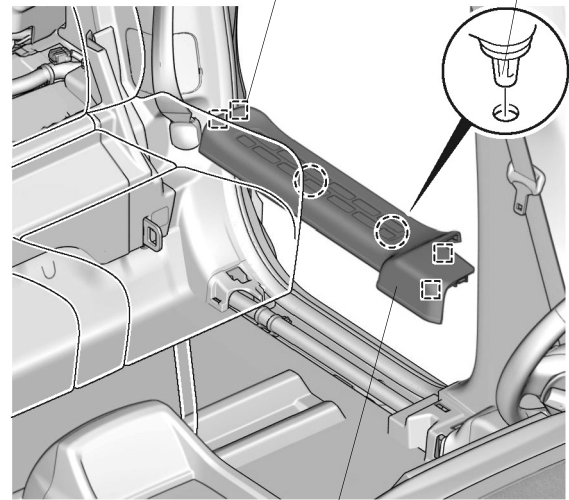
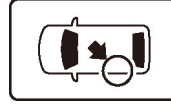
VEHICLE
PANEL

85 mm
(3.35 in.)

MASKING
TAPE

QK70205AB

16. Remove the left rear door sill trim.



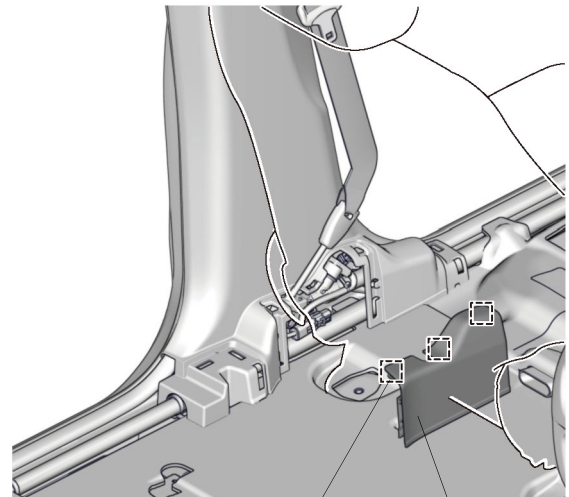
4 RETAINING
TABS

2 CLIPS

LEFT REAR DOOR
SILL TRIM

QK63008AG

17. Remove the left B-pillar lower trim cover.



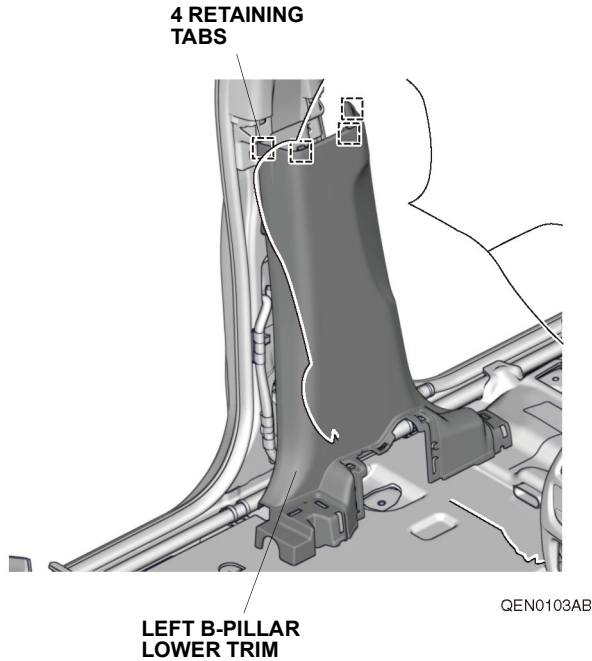
3 RETAINING
TABS

LEFT B-PILLAR
LOWER TRIM
COVER

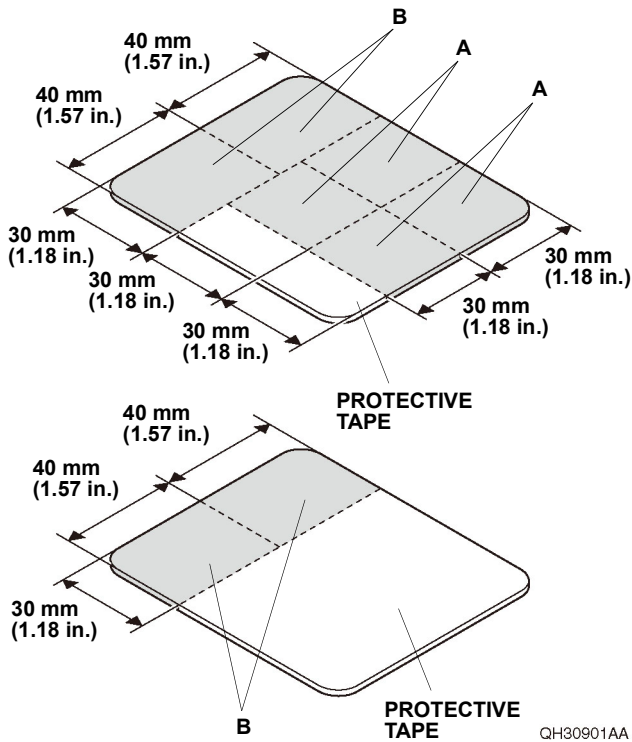
QEN0102AB

Germain Honda of College Hills

18. Remove the left B-pillar lower trim.



19. Cut the protective tape.

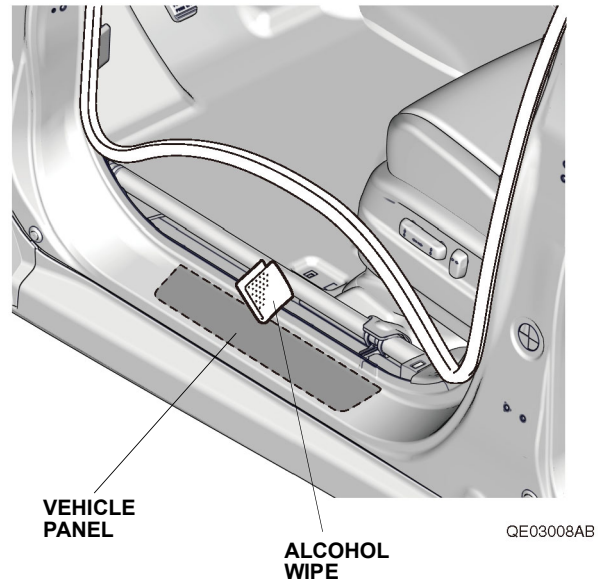


20. Pull away the door opening seal.



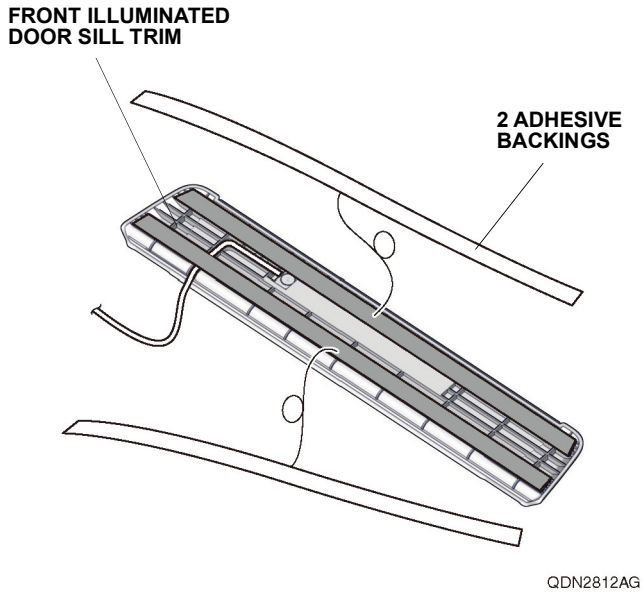
21. Clean the attaching area.

NOTE
Allow to dry thoroughly.

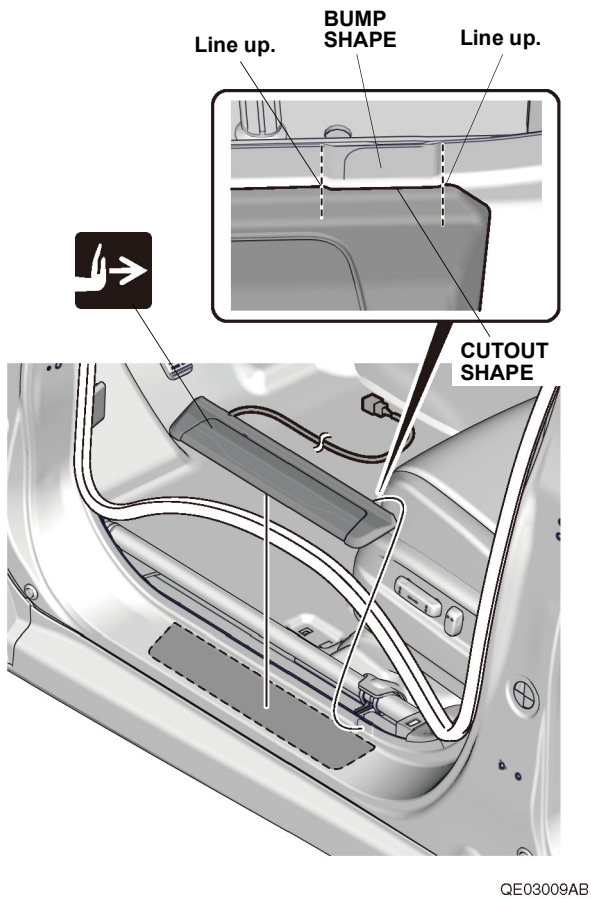


Germain Honda of College Hills

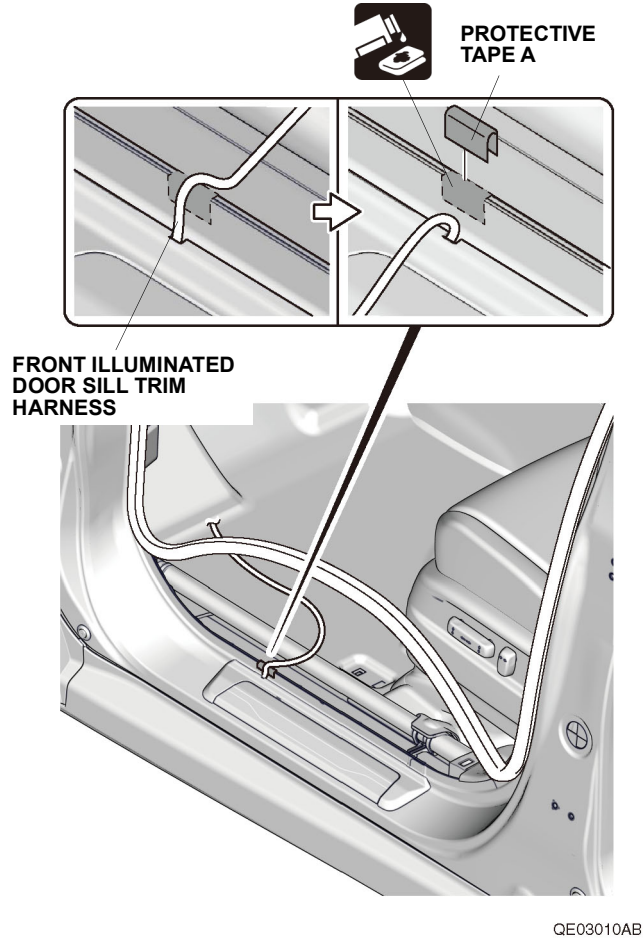
22. Remove the adhesive backings.



23. Install the front illuminated door sill trim.

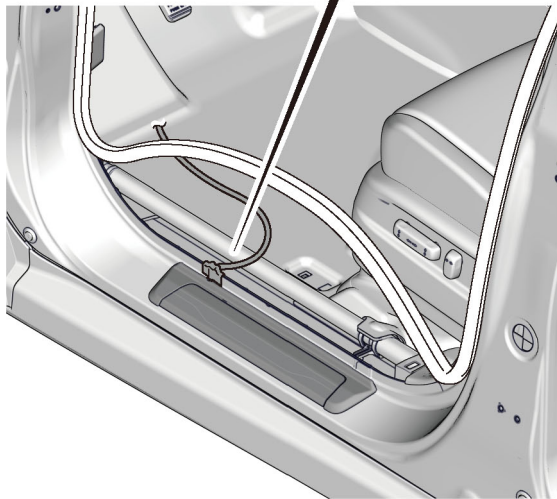
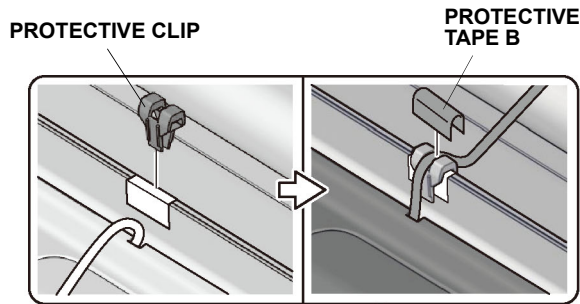


24. Attach the protective tape A.

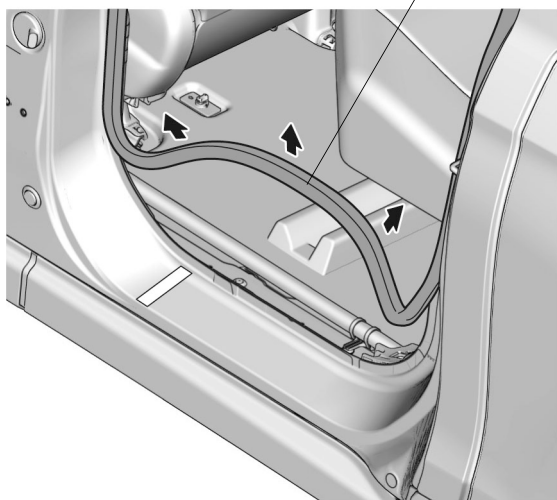
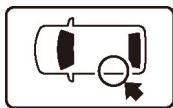


Germain Honda of College Hills

25. Install the protective clip.

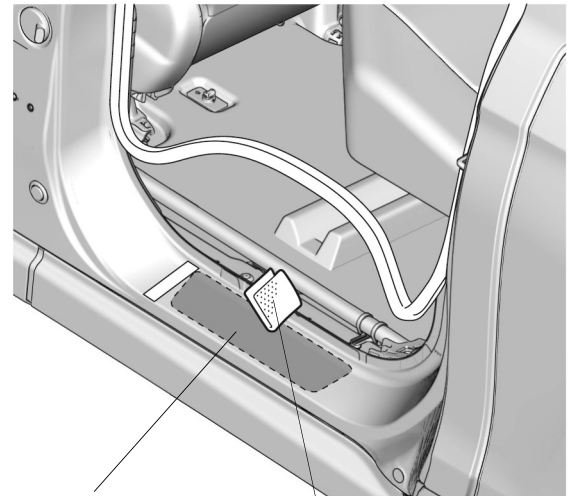


26. Secure the front illuminated door sill trim harness.
27. Pull away the door opening seal.

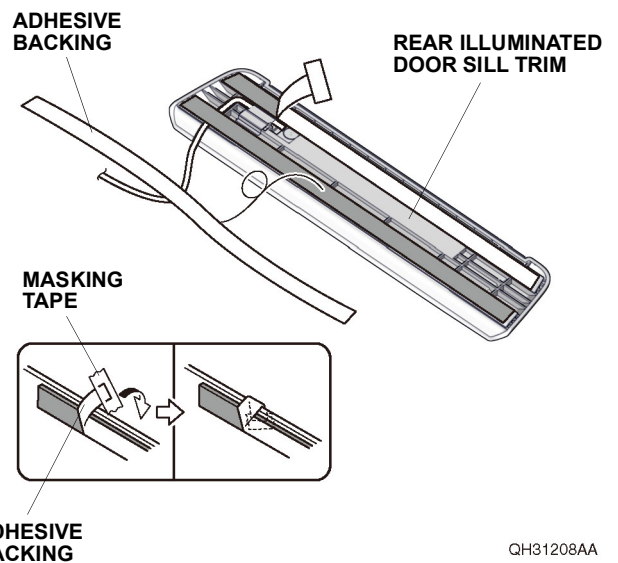


28. Clean the attaching area.

NOTE
Allow to dry thoroughly.



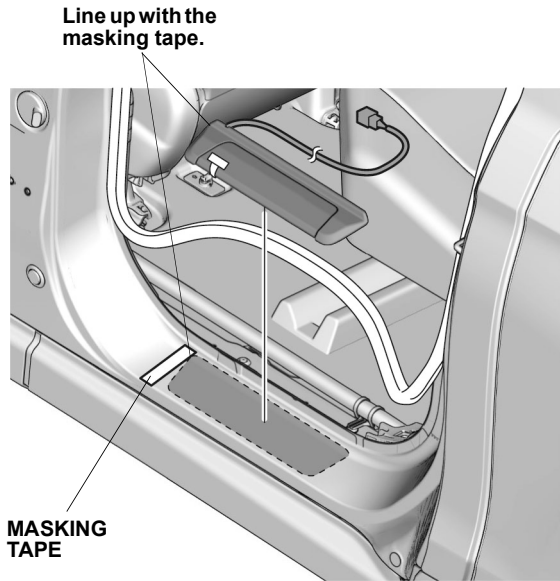
29. Temporarily attach the adhesive backing.



30. Remove the adhesive backing.

Germain Honda of College Hills

31. Line up the rear illuminated door sill trim.

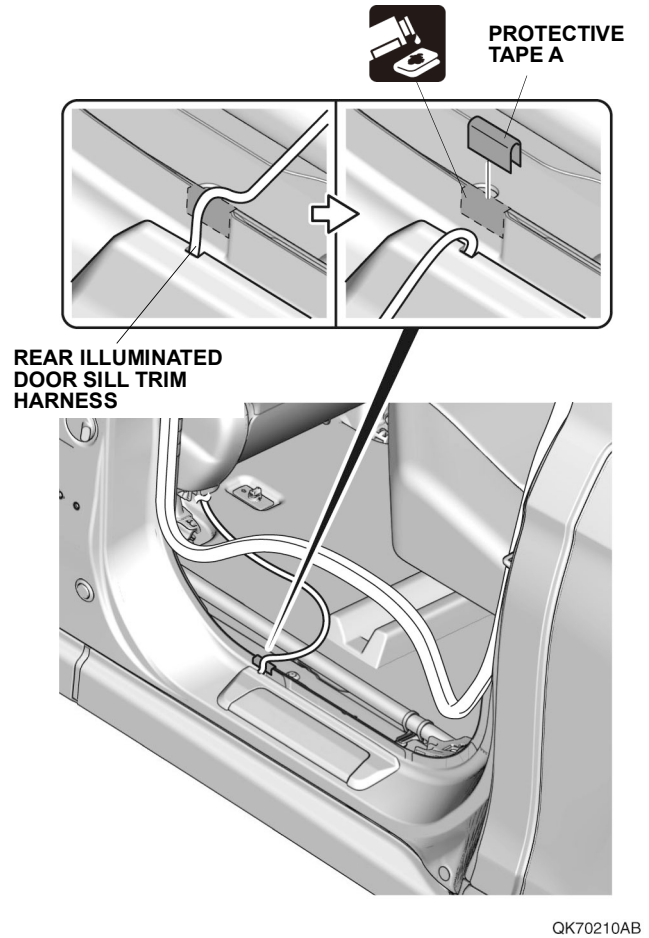


32. Secure the rear illuminated door sill trim.



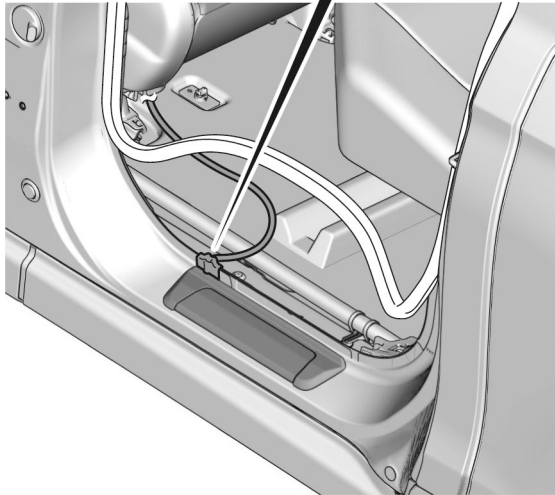
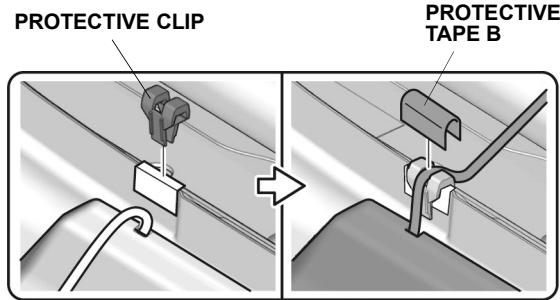
33. Remove the masking tape.

34. Attach the protective tape A.



Germain Honda of College Hills

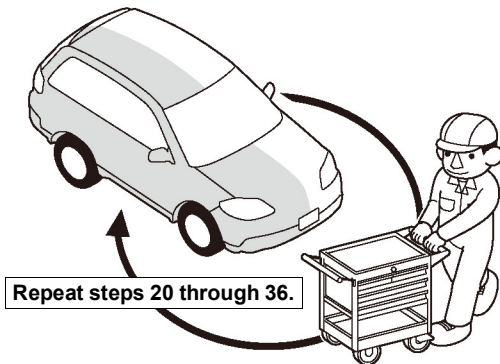
35. Install the protective clip.



QK70211AB

36. Secure the rear illuminated door sill trim harness.

37. Repeat same procedures for the other side.

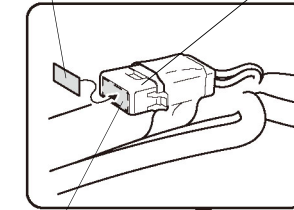


Q9D1014AM

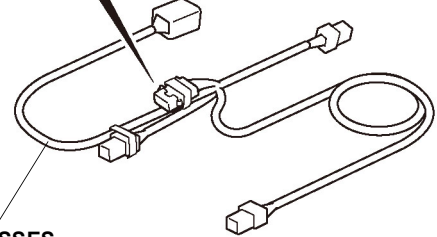
38. Attach the fuse labels.

2 FUSE LABELS
(2A STEP ILLUMI)

2 FUSE CASES



2 HARNESSES



QH31213AA

39. Choose one of these options.

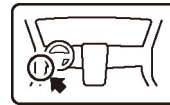
• Without another accessory harness

Go to step 40

• With another accessory harness

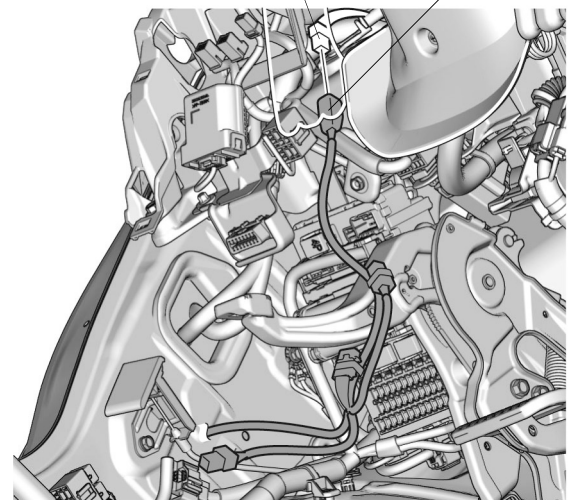
Go to step 41

40. Plug-in the harness connector.



VEHICLE 2-PIN
CONNECTOR

HARNESS 2-PIN
CONNECTOR

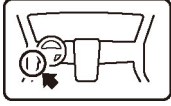


QK70213AB

Go to step 42

Germain Honda of College Hills

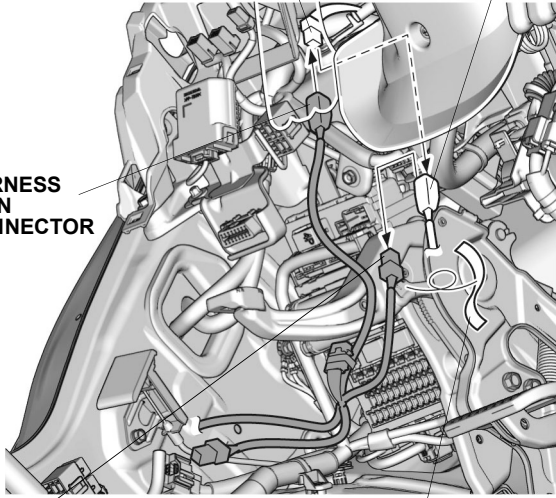
41. Plug-in the harness connector.



VEHICLE 2-PIN CONNECTOR

OTHER ACCESSORY HARNESS 2-PIN CONNECTOR

HARNESS 2-PIN CONNECTOR



HARNESS 2-PIN CONNECTOR

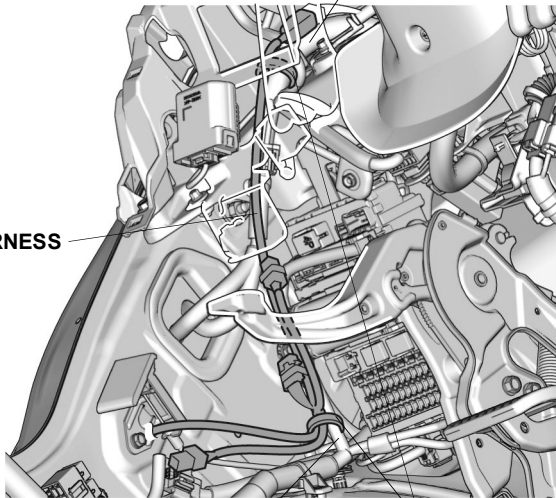
TAPE

QK70212AB

42. Secure the harness.

VEHICLE HARNESS

HARNESS

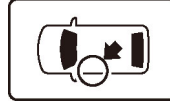


VEHICLE HARNESS

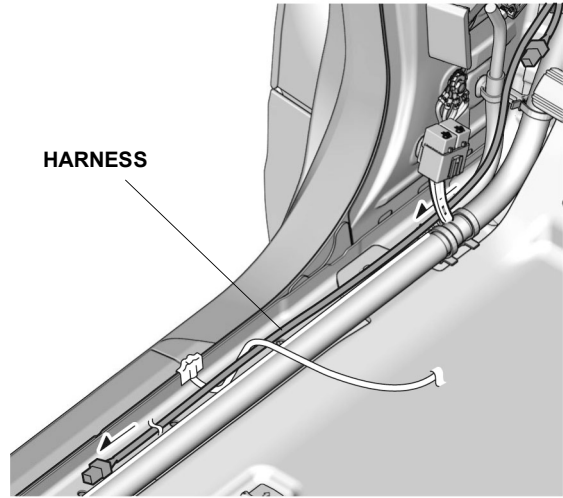
2 WIRE TIES

QK70214AB

43. Route the harness.

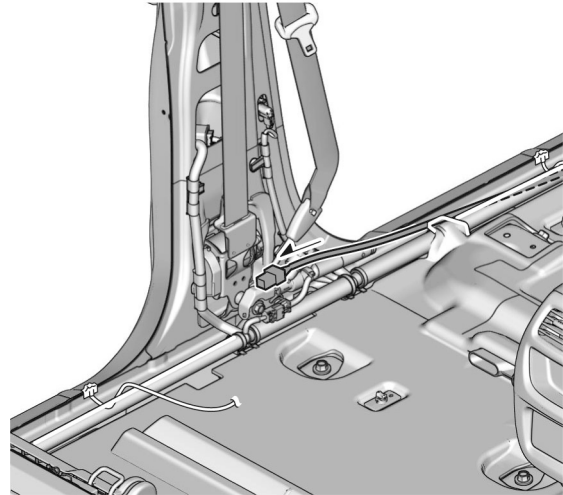


HARNESS



QK70215AB

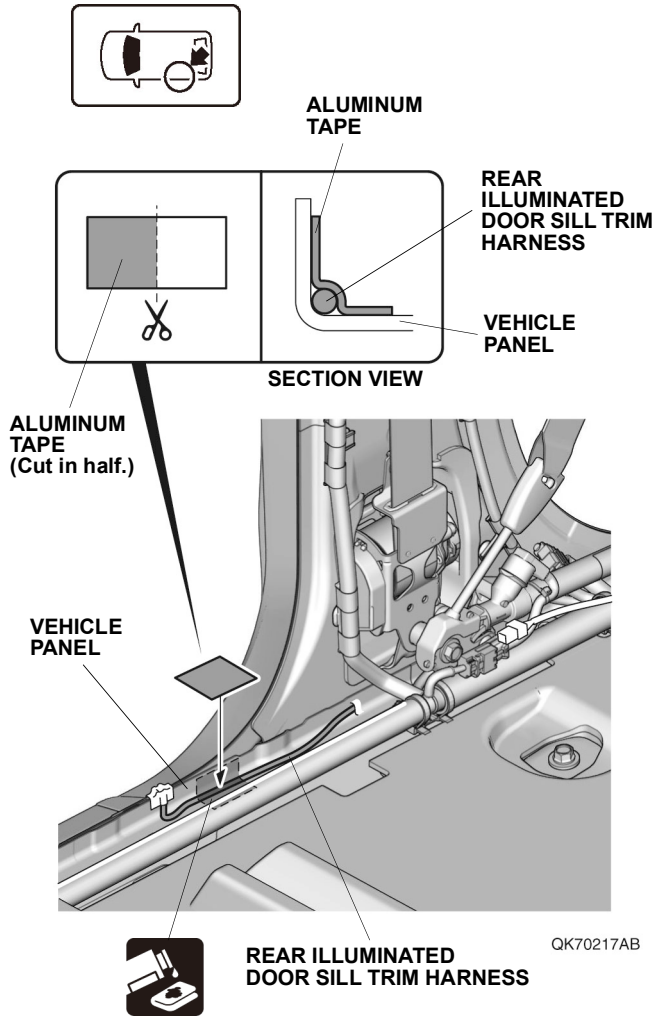
44. Route the harness.



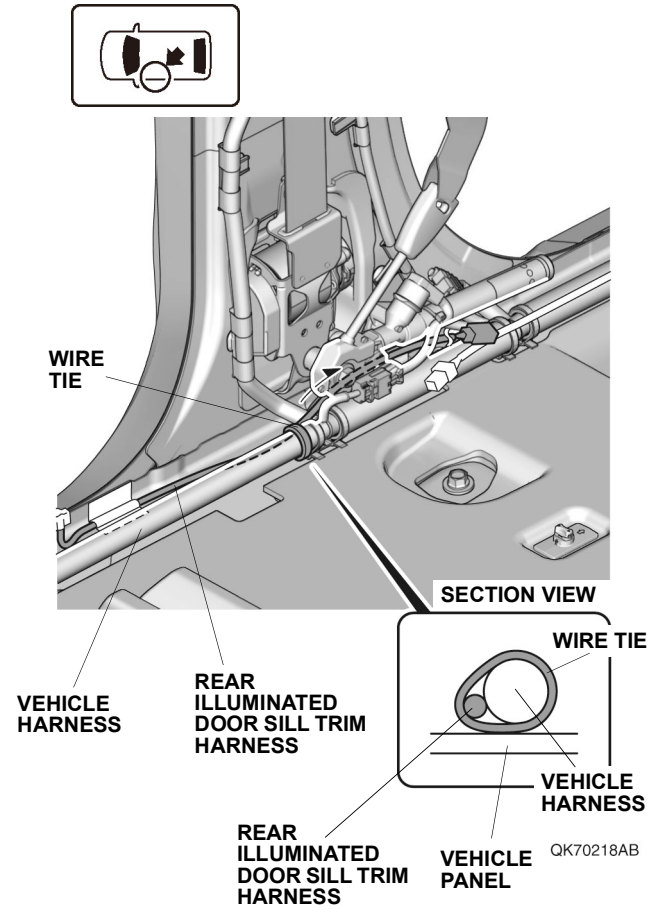
QK70216AB

Germain Honda of College Hills

45. Secure the rear illuminated door sill trim harness.

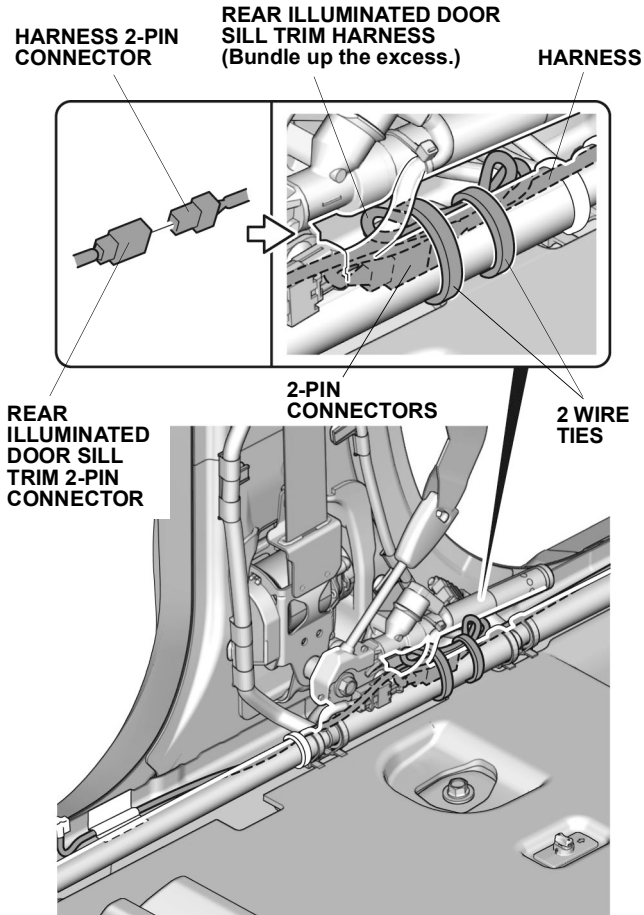


46. Secure the rear illuminated door sill trim harness.



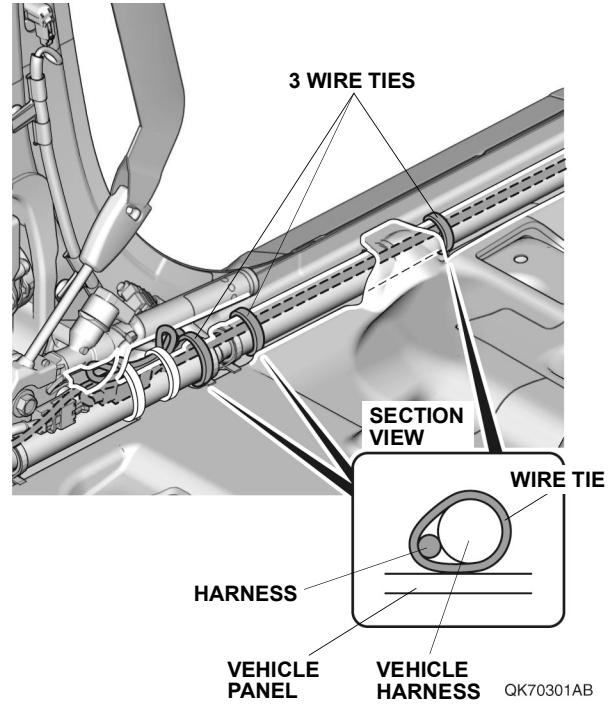
Germain Honda of College Hills

47. Plug-in the harness connector.

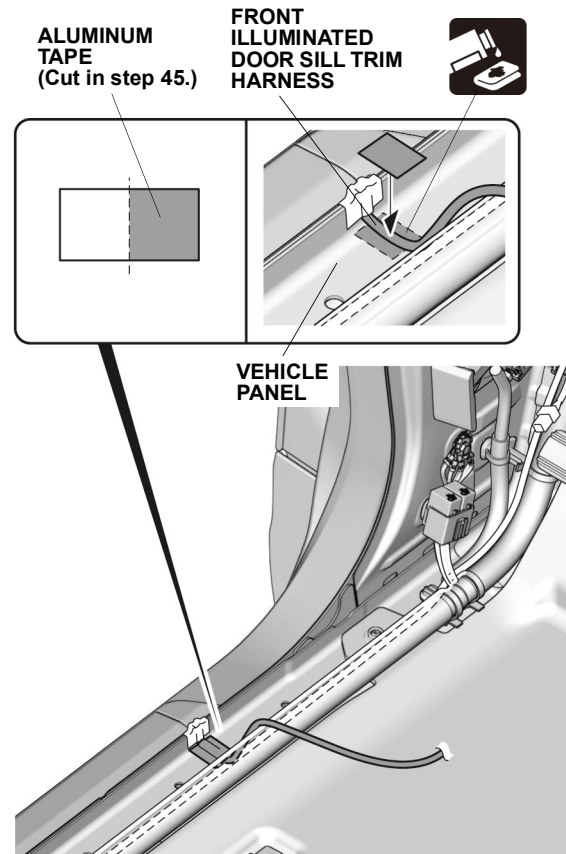


48. Secure the rear illuminated door sill trim harness, harness, and connectors.

49. Secure the harness.

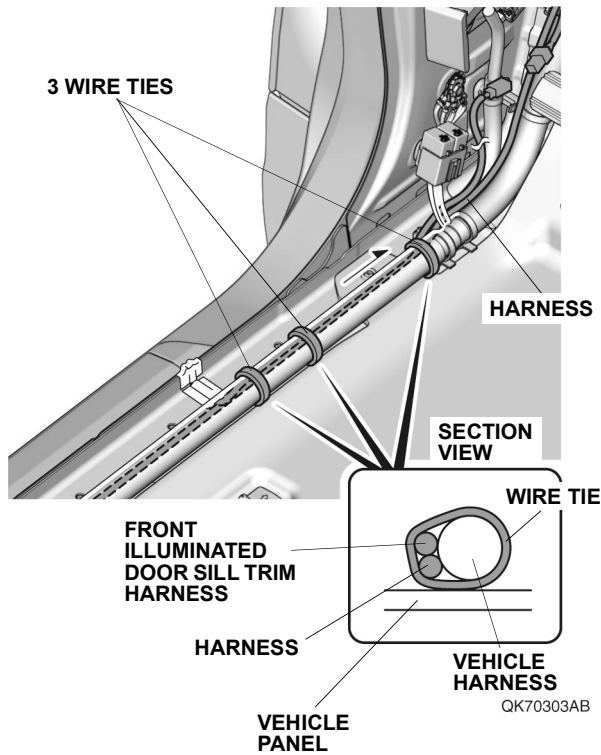


50. Secure the front illuminated door sill trim harness.

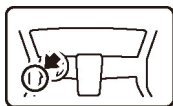


Germain Honda of College Hills

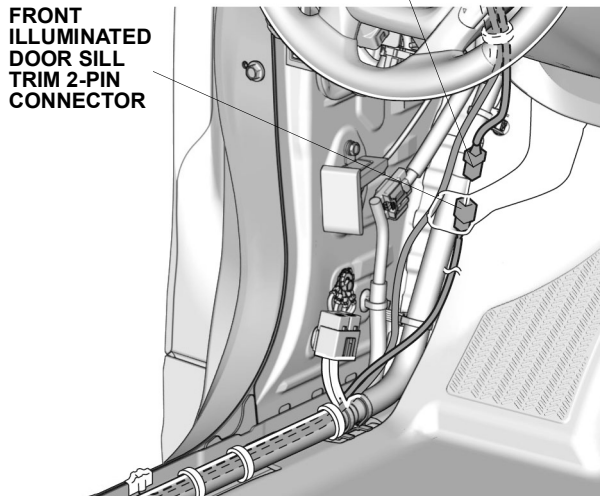
51. Secure the front illuminated door sill trim harness and harness.



52. Plug-in the harness connector.

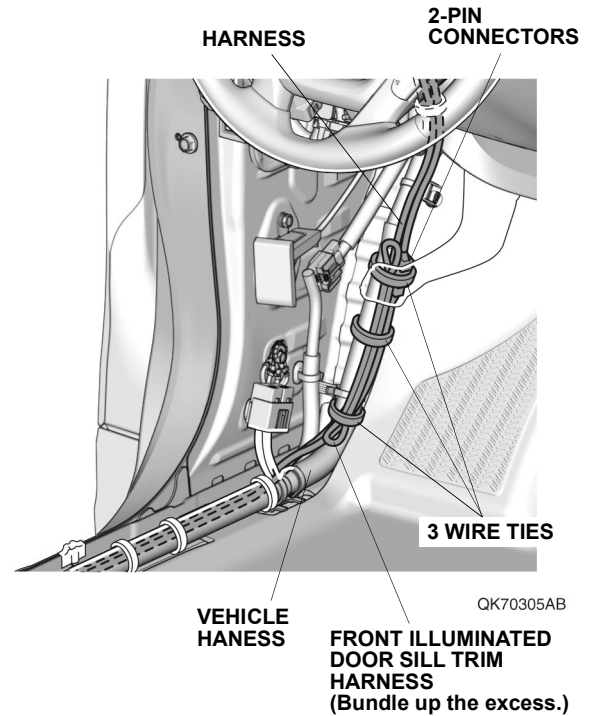


HARNESS 2-PIN CONNECTOR



QK70304AB

53. Secure the front illuminated door sill trim harness, harness, and connectors.



Germain Honda of College Hills

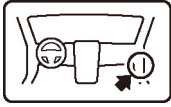
54. Choose one of these options.

- Without another accessory harness
- With another accessory harness

Go to step 55

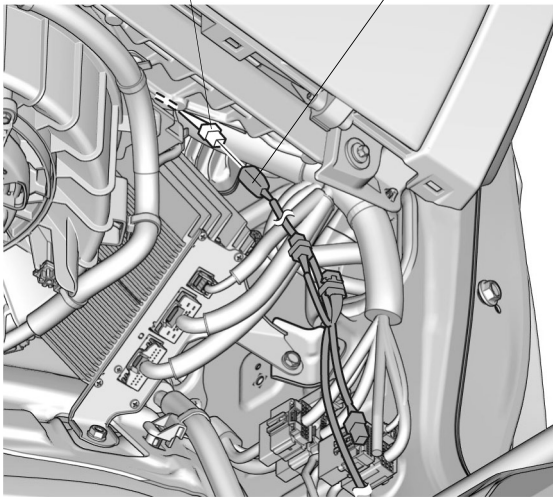
Go to step 57

55. Plug-in the harness connector.



VEHICLE 2-PIN
CONNECTOR

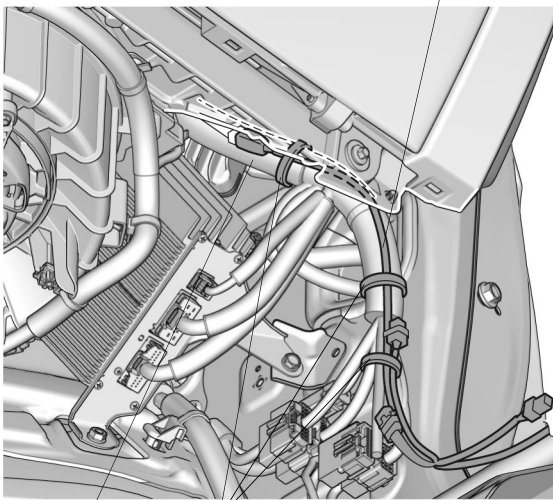
HARNESS 2-PIN
CONNECTOR



QK70309AB

56. Secure the harness.

HARNESS

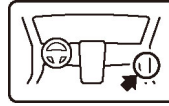


VEHICLE
HARNESS

3 WIRE
TIES

QK70310AB

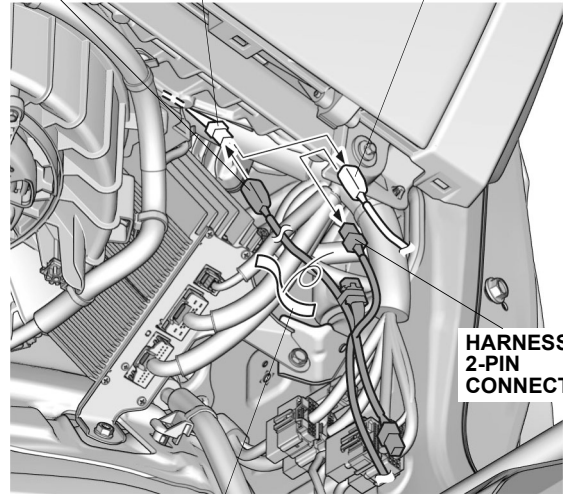
57. Plug-in the harness connector.



HARNESS
2-PIN
CONNECTOR

VEHICLE 2-PIN
CONNECTOR

OTHER
ACCESSORY
HARNESS 2-PIN
CONNECTOR



HARNESS
2-PIN
CONNECTOR

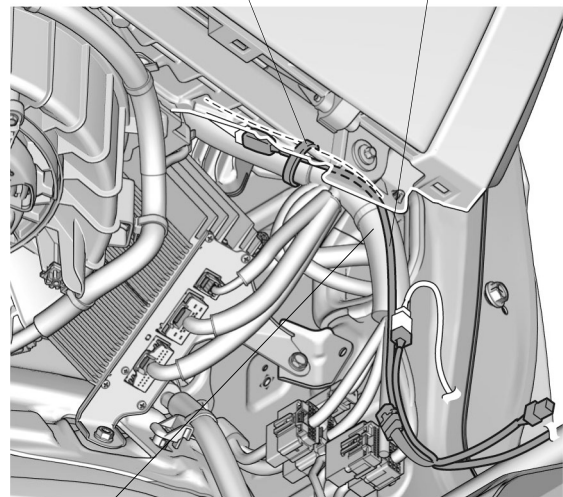
TAPE

QK70306AB

58. Secure the harness.

WIRE TIE

HARNESS



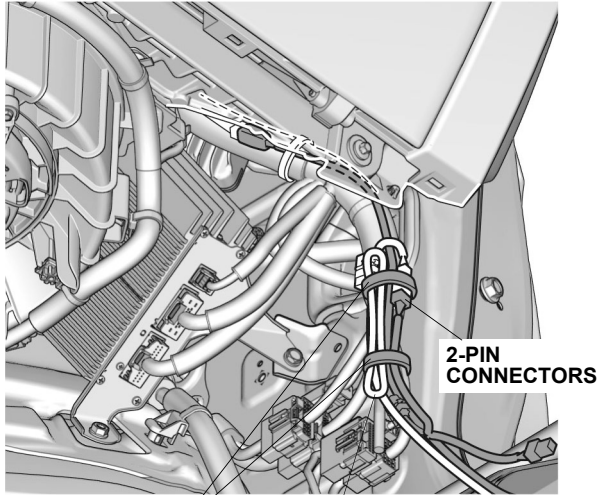
VEHICLE HARNESS

QK70307AB

Go to step 60

Germain Honda of College Hills

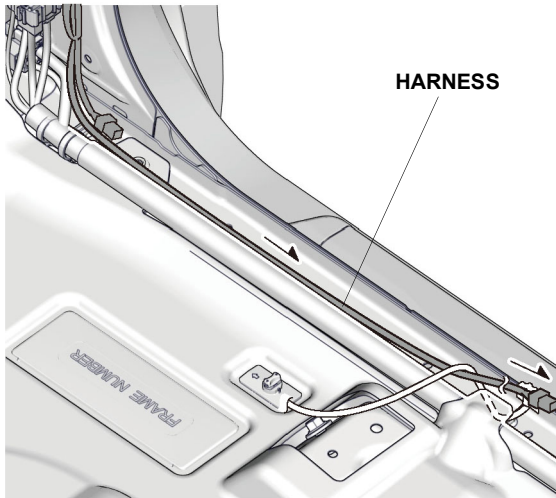
59. Secure the harness, other accessory harness, and connectors.



QK70308AB

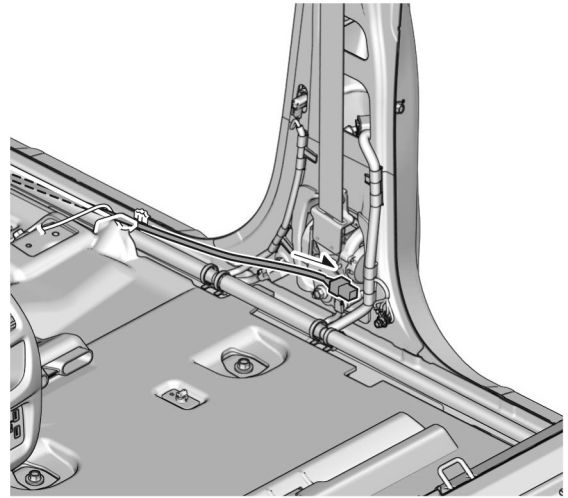
OTHER ACCESSORY HARNESS (Bundle up the excess.)

60. Route the harness.



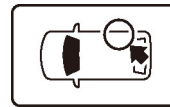
QH31304AA

61. Route the harness.



QK70311AB

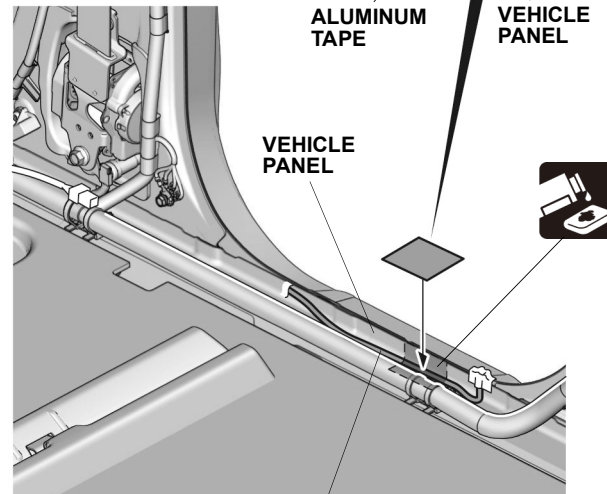
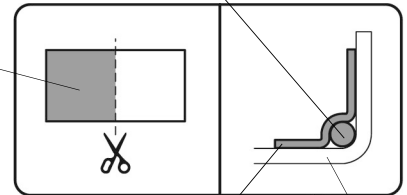
62. Secure the rear illuminated door sill trim harness.



REAR ILLUMINATED DOOR SILL TRIM HARNESS

SECTION VIEW

ALUMINUM TAPE (Cut in half.)

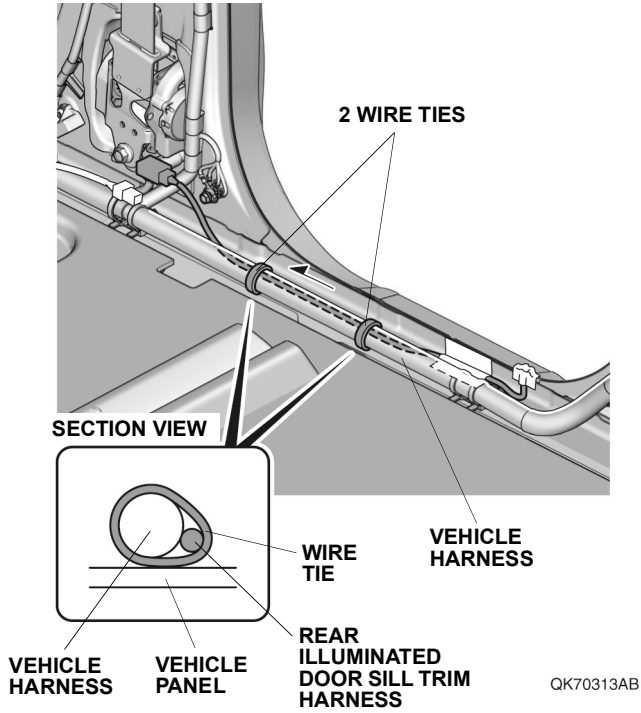


QK70312AB

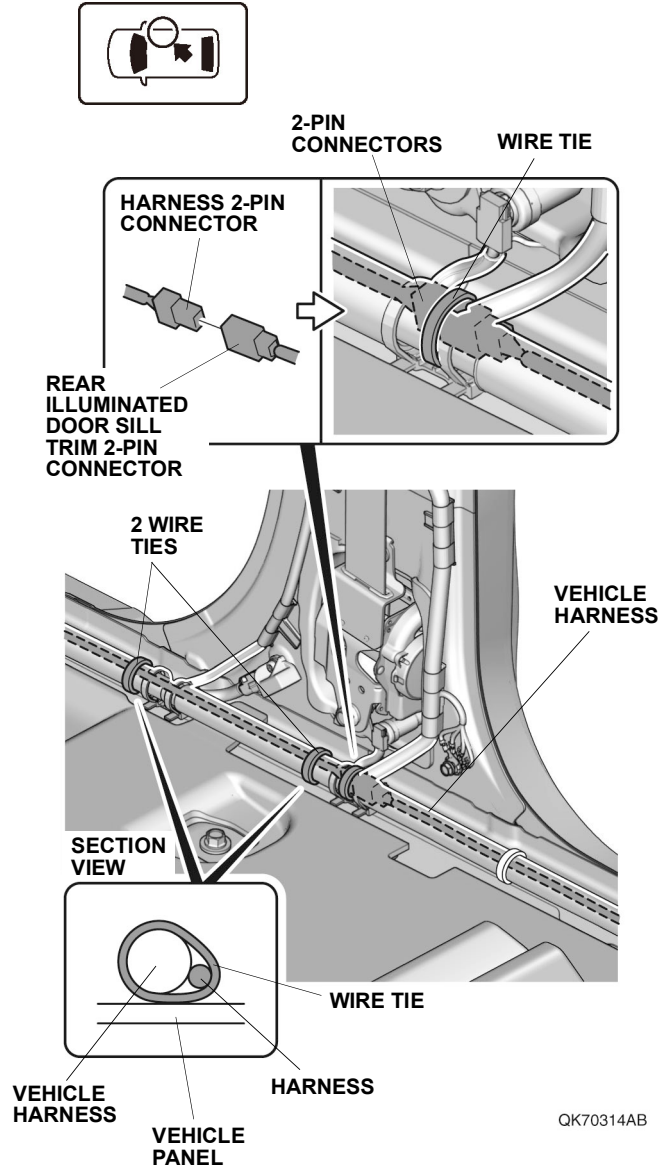
REAR ILLUMINATED DOOR SILL TRIM HARNESS

Germain Honda of College Hills

63. Secure the rear illuminated door sill trim harness.



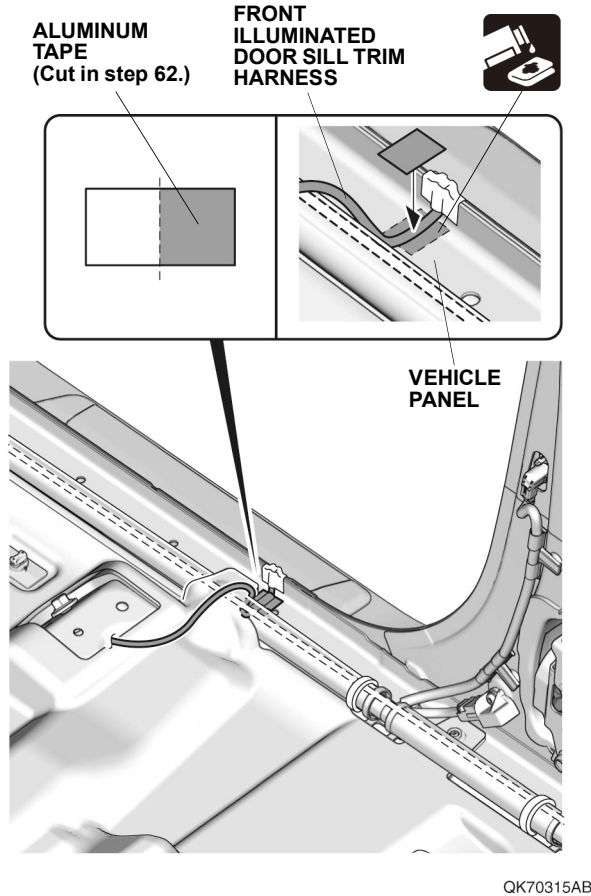
64. Plug-in the harness connector.



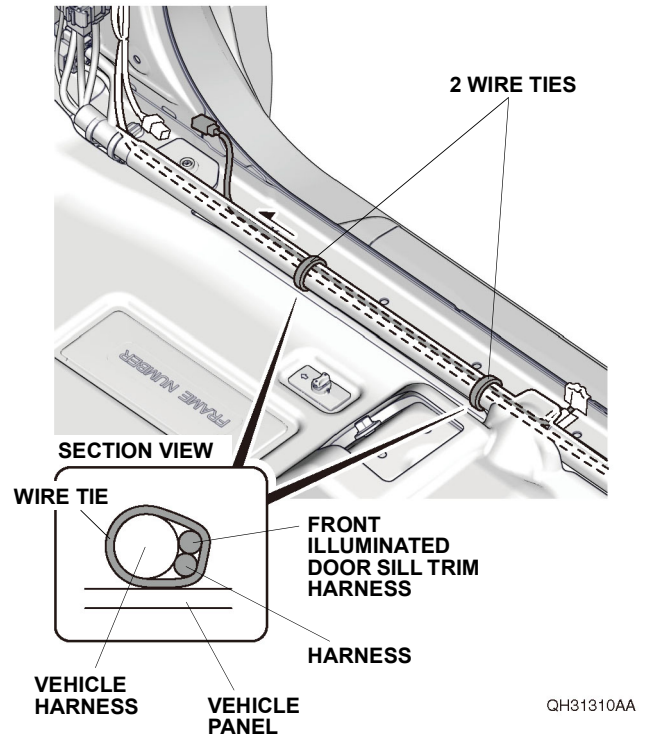
65. Secure the harness and connectors.

Germain Honda of College Hills

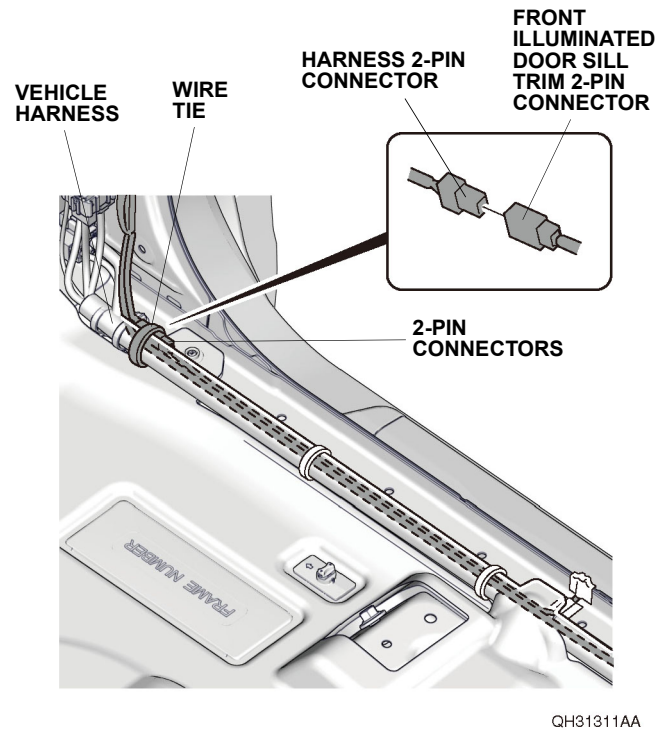
66. Secure the front illuminated door sill trim harness.



67. Secure the front illuminated door sill trim harness and harness.



68. Plug-in the harness connector.



69. Secure the front illuminated door sill trim harness, harness, and connectors.

Germain Honda of College Hills

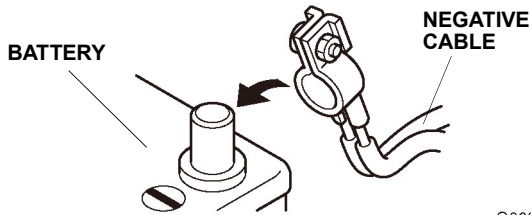
70. Check that all parts are installed and properly routed.

NOTE

- Check that all harnesses are not pulled and not pinched.
- Make sure all clamps and wire ties are securely installed.

71. Install all removed parts except for the front bulkhead cover and intake air tube.

72. Connect the negative cable to the battery.



73. Install the front bulkhead cover and intake air tube.

74. Check that the illuminated door sill trims come on by opening a door.

75. Make sure all accessories and systems operate properly.

76. If necessary, restore the systems back to normal operation as described in the service information.

77. Press and hold the audio unit power button for 2 seconds to restore the audio and navi (if equipped) system functions.