

# Germain Honda of College Hills



## INSTALLATION INSTRUCTIONS

Accessory

**RUNNING BOARDS**  
P/N 08L33-T6Z-100A

Application

**2022 RIDGELINE**

Publications No.

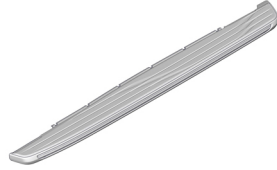
**VERSION 1**

Issue Date

**AUG 2021**

### PARTS LIST

Left running board



Right running board



Left bracket A



Right bracket A



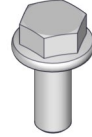
Left bracket C



Right bracket C



16 Flange bolts



### TOOLS AND SUPPLIES REQUIRED

Ratchet

File

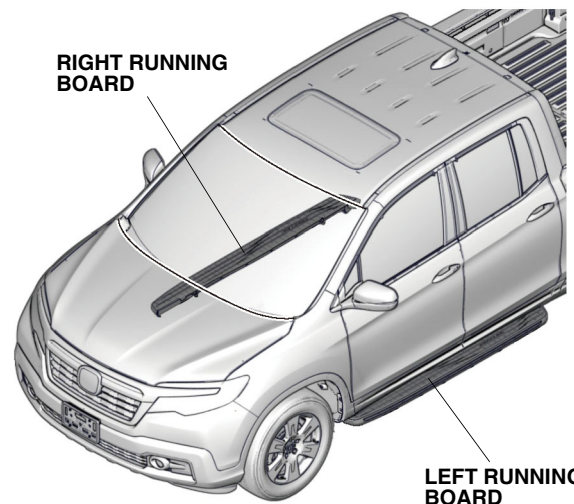
13 mm Socket

Torque wrench

Utility knife

Touch-up paint

### Illustration of the Running Boards on the Vehicle



QE01301BA

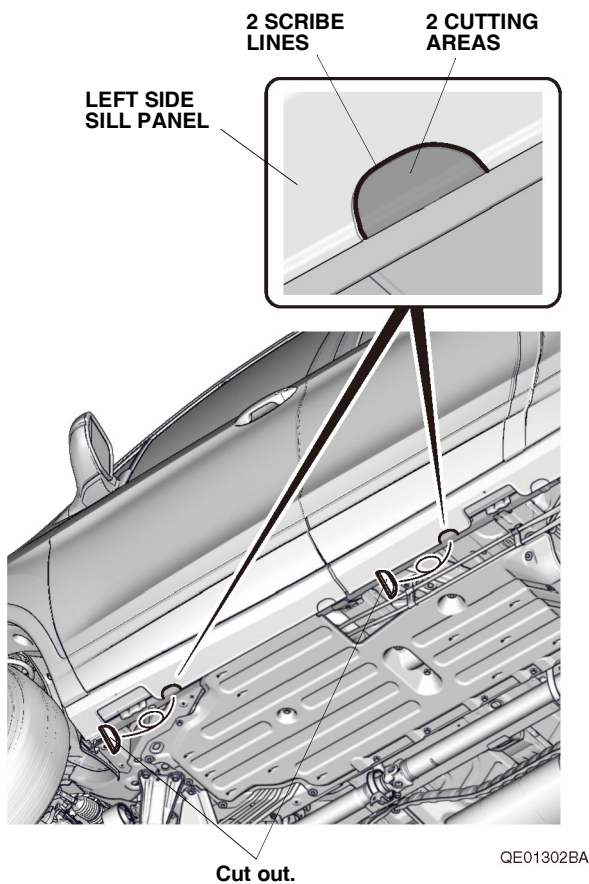
# Germain Honda of College Hills

## INSTALLATION

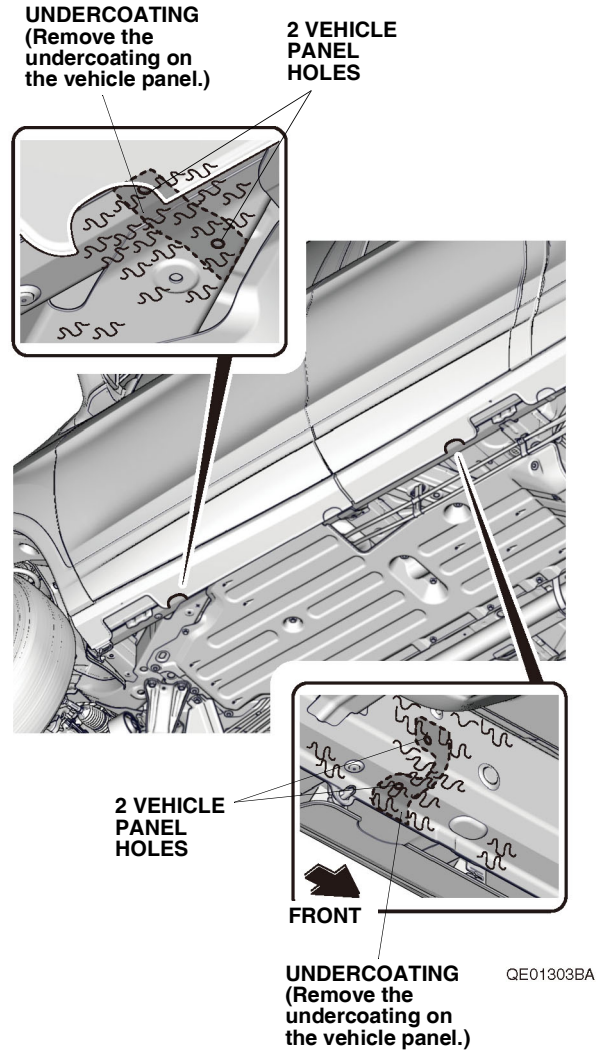
**Customer Information:** The information in this installation instruction is intended for use only by skilled technicians who have the proper tools, equipment, and training to correctly and safely add equipment to your vehicle. These procedures should not be attempted by “do-it-yourselfers.”

### NOTE:

- Thoroughly clean the bottom of the body between the front and rear wheels.
  - Be careful not to damage the body paint finish.
1. Using a utility knife, cut out the left side sill panel as shown. Remove any burrs.

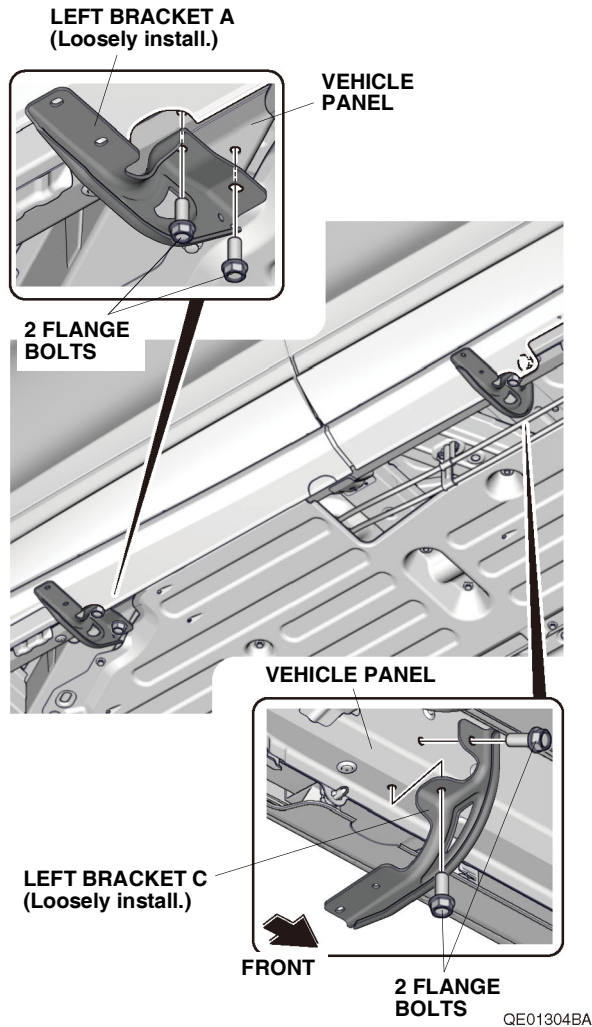


2. Remove the undercoating as shown. Apply touch-up paint where you removed the undercoating, and allow it to dry thoroughly.

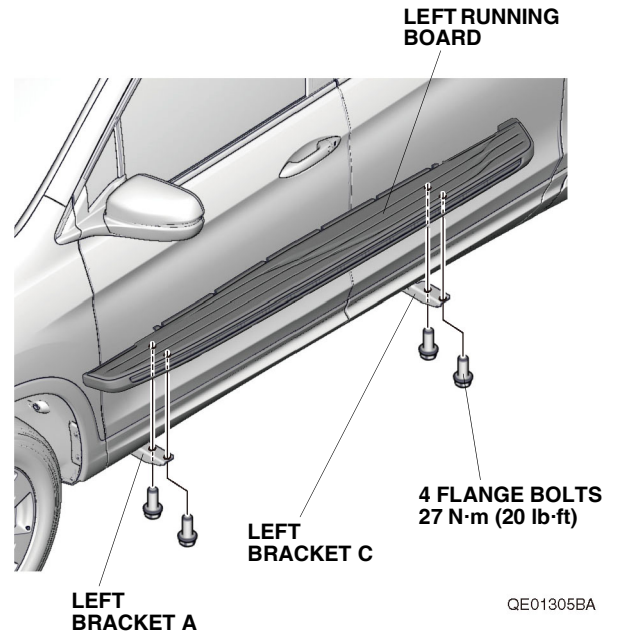


# Germain Honda of College Hills

3. Loosely install the left bracket A and left bracket C to the vehicle panel with four flange bolts.  
NOTE: Make sure that the brackets are installed in the correct positions and orientations.

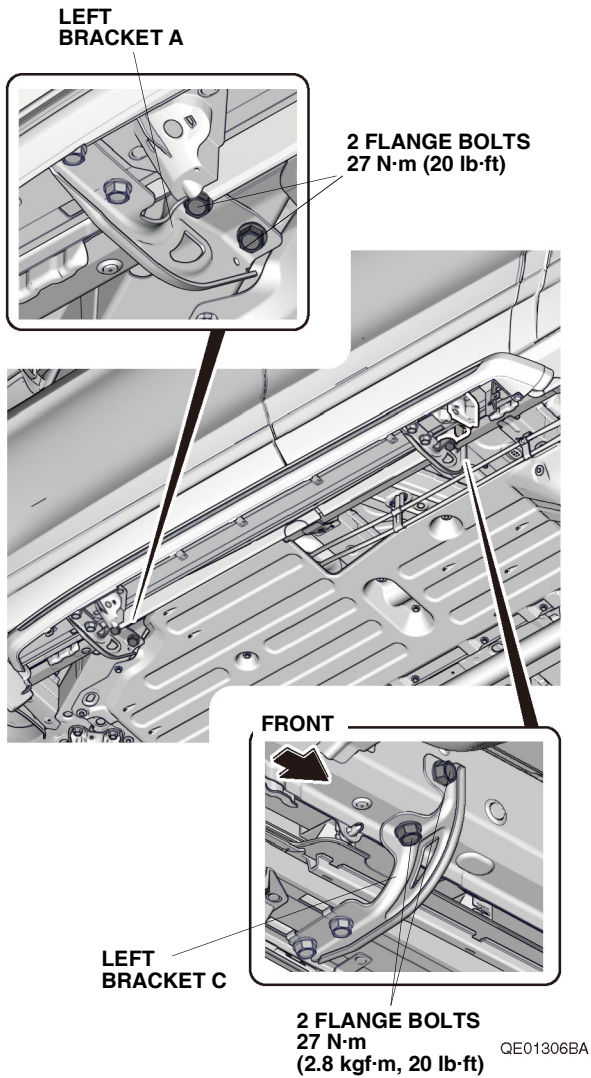


4. With the help of an assistant, install the left running board to the left bracket A and left bracket C with four flange bolts. Torque the flange bolts to 27 N·m (20 lb·ft).



# Germain Honda of College Hills

5. Tighten the four flange bolts loosely installed in step 3. Torque the flange bolts to 27 N·m (20 lb·ft).



6. Repeat steps 1 through 5 on the right side of the vehicle.