

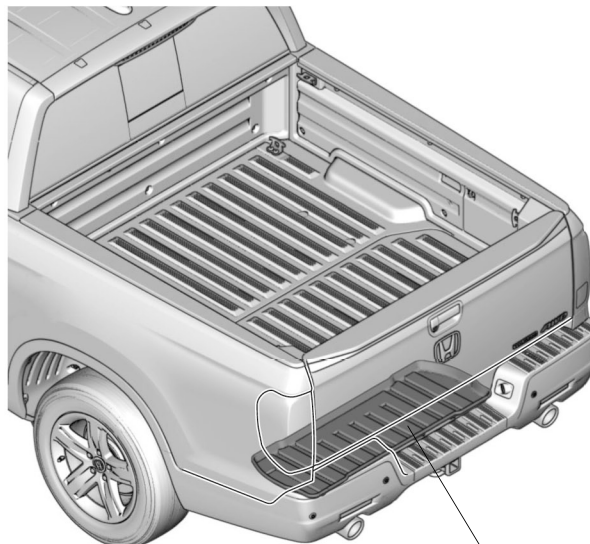
Germain Honda of College Hills



INSTALLATION INSTRUCTIONS

	Accessory	Application	Publications No.
	CARGO TRAY	2022 RIDGELINE	VERSION 1
			Issue Date
			AUG 2021

GENERAL VIEW



CARGO TRAY

QK90701AB

FOR YOUR SAFETY (Read carefully.)

Warning Symbols

Safety: Your safety, and the safety of others, is important. To help you make informed decisions about service procedures, we have provided safety messages where appropriate. Of course, it is not practical or possible to warn you about all the hazards associated with servicing a vehicle - you must use your own good judgment.

You will find important safety messages preceded by one of following symbols:

*All symbols are not used in all installation instructions.



You will be killed or seriously hurt if you do not follow the instructions.



You can be killed or seriously hurt if you do not follow the instructions.



You can be hurt if you do not follow the instructions.



Gives advice to prevent damage to the product or vehicle or the environment.



Gives helpful information or instructions to be followed when using the product.



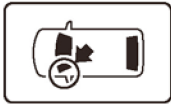
Indicates a prohibited action

Germain Honda of College Hills

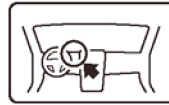
Procedure and Location Icons

These icons indicate the work location and the worker's point of view.

*All icons are not used in all installation instructions.



The location on the vehicle.



The location in the vehicle.
(instrument panel.)



Wear eye protection.



Wear heavy gloves.



Use an assistant.



Place the part on a blanket.



Work perpendicular.



Remove any burrs.



Use touch-up paint and allow to dry.



Tighten to the specified torque.



Apply firm pressure while rolling, especially at the ends, to set the adhesive.



Press firmly.



Clean with isopropyl alcohol.



Return the original part to the customer.
(Do not use.)

Safety: General

- Be careful not to damage the vehicle or the parts.
- The illustrations may differ slightly from the actual accessory.

PARTS LIST

Cargo Tray Kit
(P/N 08U45-T6Z-100A)

Cargo tray



REQUIRED TOOLS AND SUPPLIES

- Utility knife
- File

Germain Honda of College Hills

INSTALLATION

1. Choose one of these options.

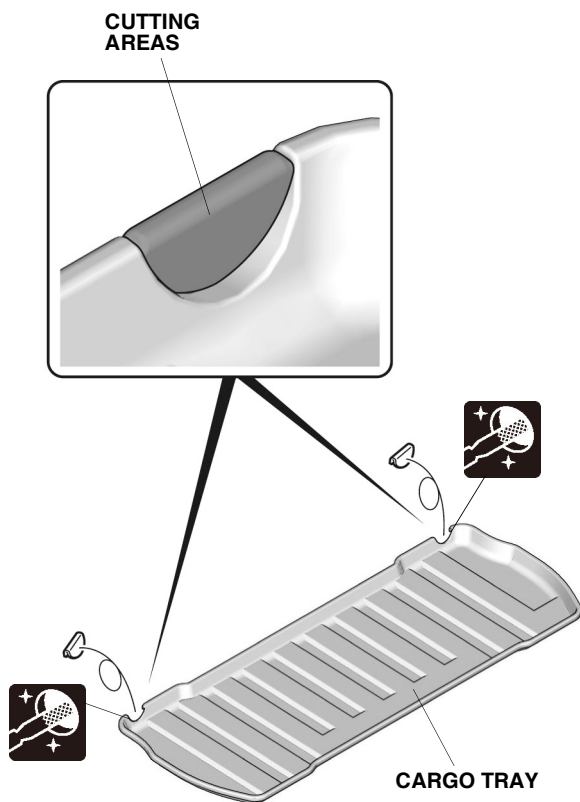
- With accessory cargo trunk net

Go to step 2

- Without accessory cargo trunk net

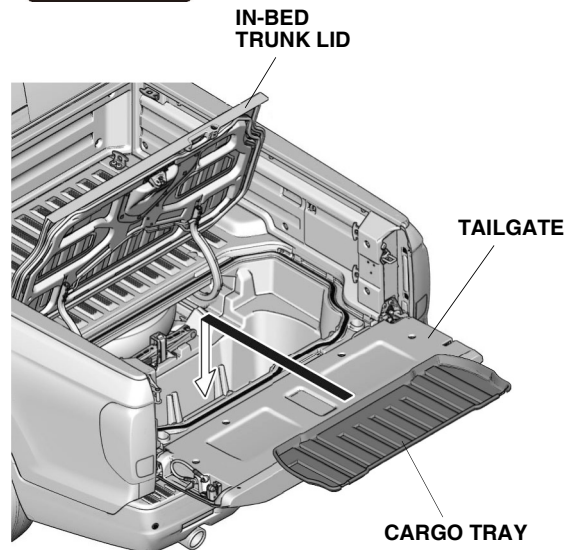
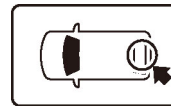
Go to step 3

2. Cut off the cargo tray.



QK90702AB

3. Lower the tailgate, then open the in-bed trunk lid.



QK90703AB

4. Install the cargo tray.

5. Check that all parts are installed properly.