

# Germain Honda of College Hills



## INSTALLATION INSTRUCTIONS

<p>Accessory</p> <p><b>BLACK EMBLEM</b></p>	<p>Application</p> <p><b>2022 RIDGELINE</b></p>	<p>Publications No.</p> <p><b>VERSION 1</b></p>
		<p>Issue Date</p> <p><b>AUG 2021</b></p>

### PARTS LIST

Rear Emblem + Car Name Kit  
P/N 08F20-T6Z-100

Rear H emblem



RIDGELINE emblem



2 Alcohol wipes



AWD Emblem Kit  
P/N 08F20-TGS-100A

AWD emblem



Alcohol wipe



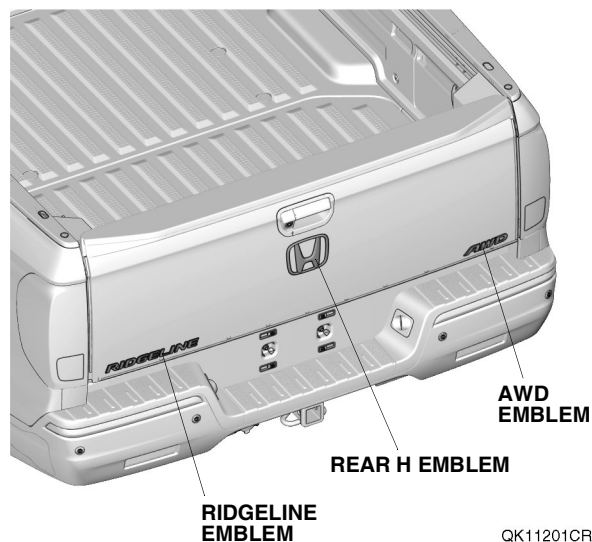
### TOOLS AND SUPPLIES REQUIRED

Masking tape

String

Needle nose pliers

### Illustration of the Black Emblems Installed on the Vehicle



QK11201CR

### INSTALLATION

**Customer Information:** The information in this installation instruction is intended for use only by skilled technicians who have the proper tools, equipment, and training to correctly and safely add equipment to your vehicle. These procedures should not be attempted by "do-it-yourselfers."

#### NOTE:

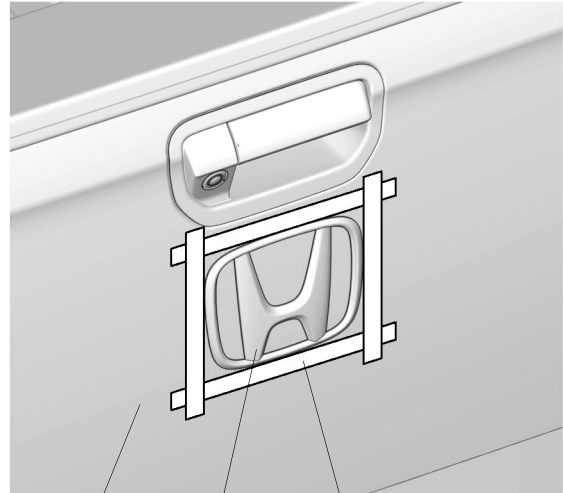
- Be careful not to damage the body paint finish.
- This kit should be installed only if the ambient air temperature is 60°F (15°C) or above.

# Germain Honda of College Hills

- To allow the adhesive to cure, do not wash the vehicle for 24 hours. Make sure the customer is aware of this.

## Installing the Rear H Emblem

1. Attach masking tape along the rear H emblem as shown.



TAILGATE

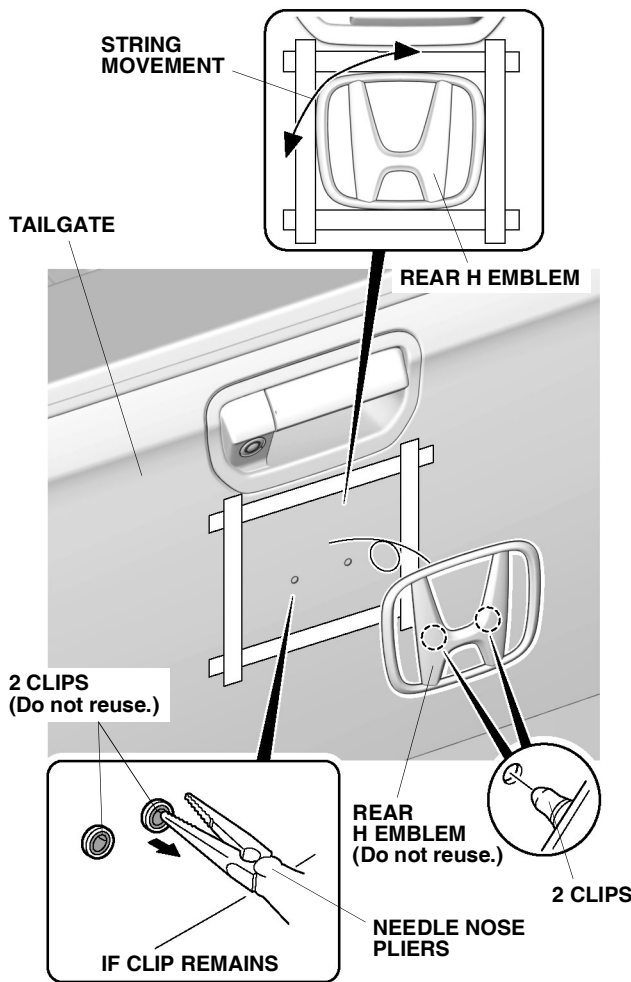
MASKING TAPE

QK11202AR

REAR H EMBLEM

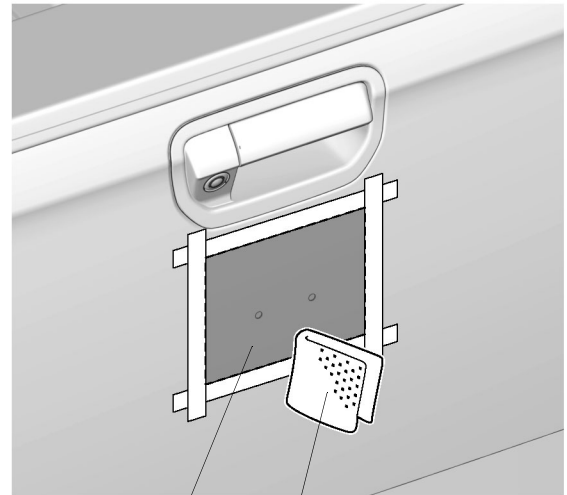
2. Using a piece of string, remove the rear H emblem by cutting along the outer edges as shown.  
NOTE:
  - Do not damage the vehicle body when removing the H emblem with the string.
  - Make sure to thoroughly remove the adhesive tape from the tailgate.

# Germain Honda of College Hills



QK11203AR

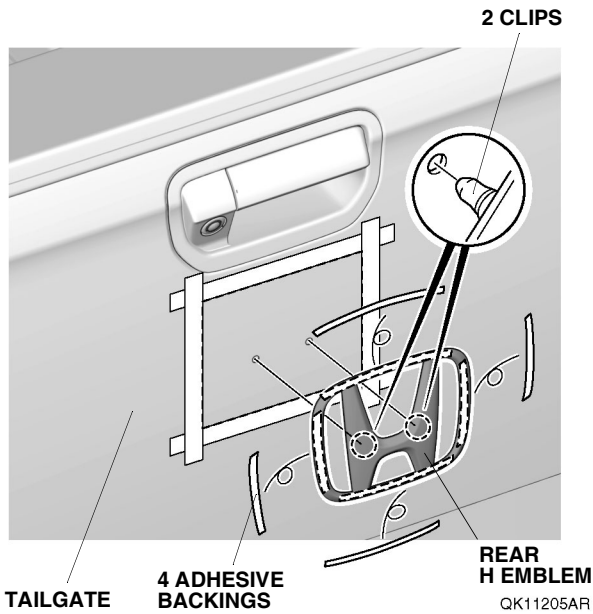
3. Using an alcohol wipe, thoroughly clean the tailgate where the rear H emblem will attach.



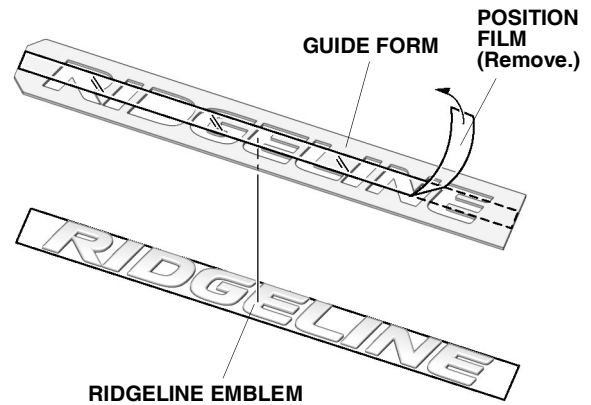
QK11204AR

4. Remove the adhesive backings from the rear H emblem. Install the rear H emblem to the tailgate as shown.

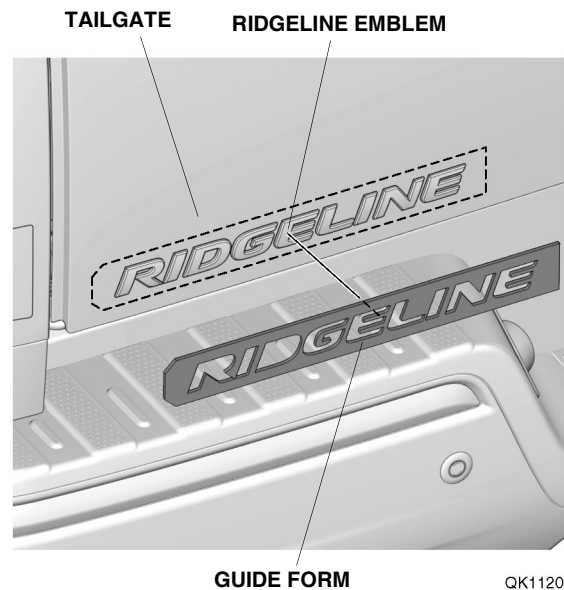
# Germain Honda of College Hills



5. Using the palm of your hand, firmly press the rear H emblem against the tailgate for 30 seconds.
6. Remove the masking tape from the tailgate.
7. Remove the position film from the RIDGELINE emblem, then remove the RIDGELINE emblem from the guide form.

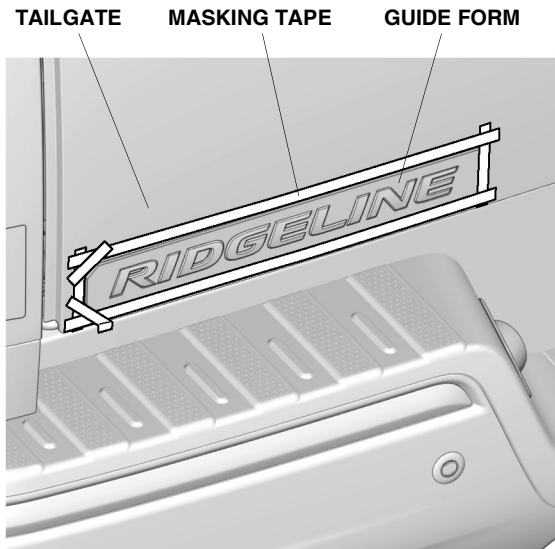


8. Install the guide form to the RIDGELINE emblem on the tailgate.



9. Attach masking tape along the guide form as shown.

# Germain Honda of College Hills



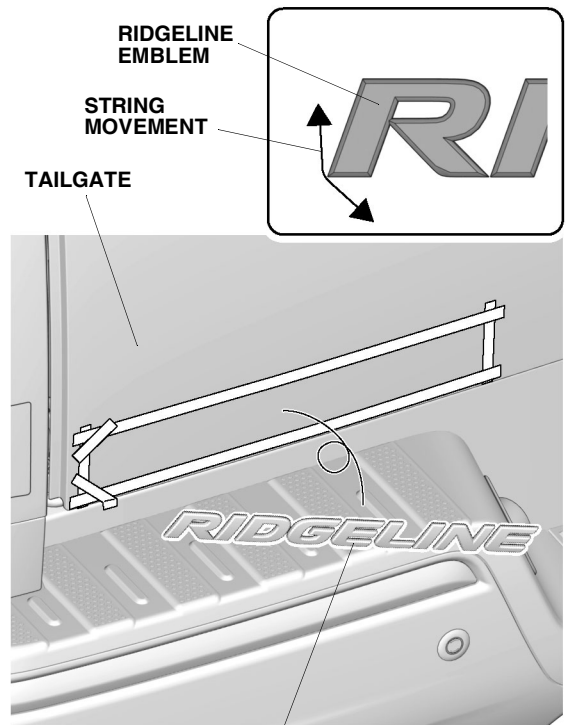
QK11208AR

10. Remove the guide form from the tailgate.



QK11209AR

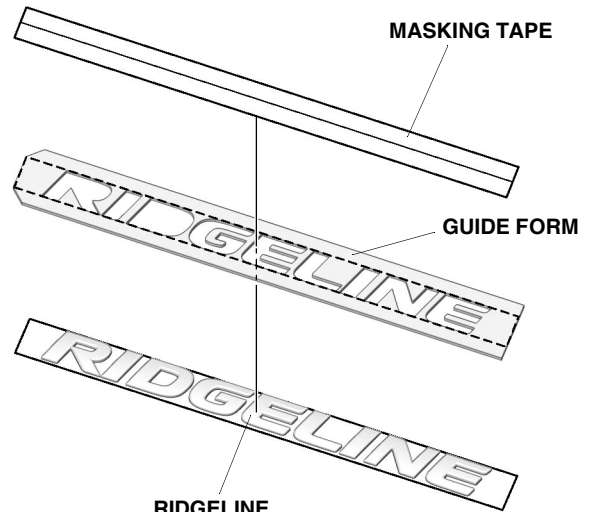
11. Using a piece of string, remove the RIDGELINE emblem by cutting along the outer edges as shown.
- NOTE:**
- Do not damage the tailgate when removing the RIDGELINE emblem with the string.
  - Make sure to thoroughly remove the adhesive tape from the tailgate.



RIDGELINE EMBLEM  
(Do not reuse.)

QK11210AR

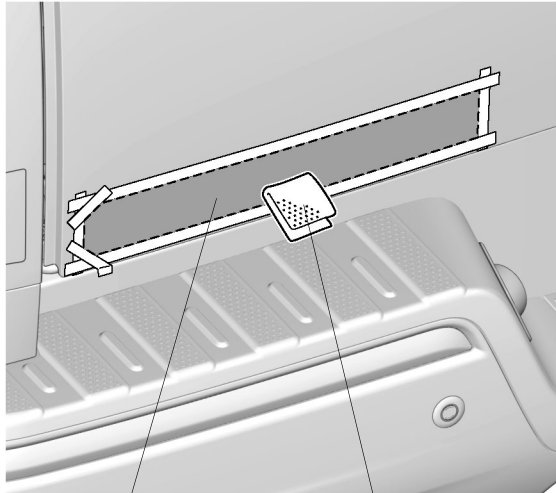
12. Install the RIDGELINE emblem in the guide form, and temporarily secure it with masking tape.



QK11211AR

13. Using an alcohol wipe, thoroughly clean the tailgate where the RIDGELINE emblem will attach.

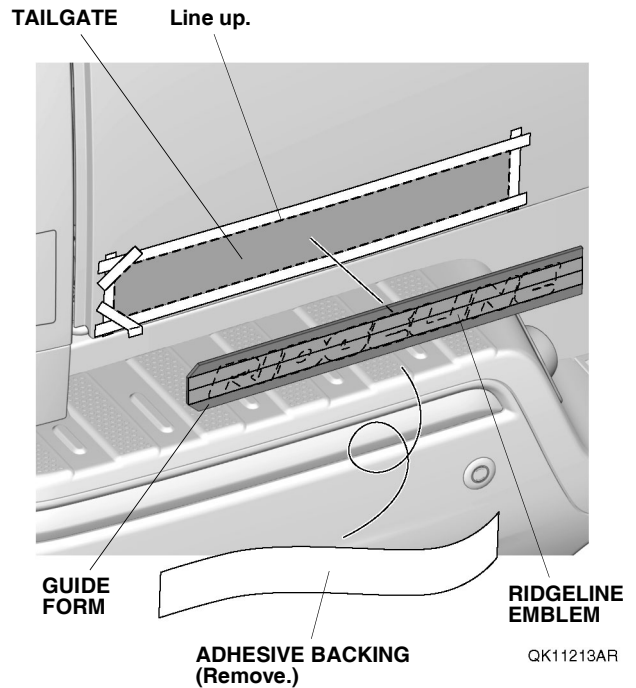
# Germain Honda of College Hills



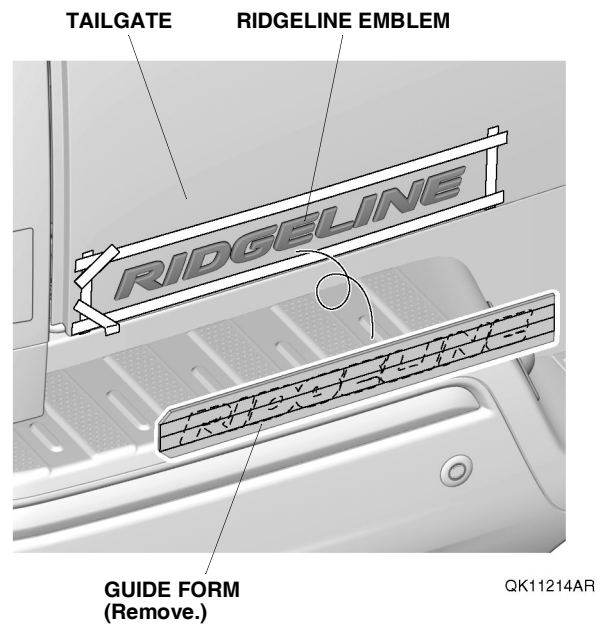
**TAILGATE**  
(Clean with  
an alcohol wipe.)

**ALCOHOL WIPE** QK11212AR

14. Remove the adhesive backing from the RIDGELINE emblem. Line up the guide form with the masking tape, and attach the RIDGELINE emblem to the tailgate.



15. Remove the guide form and using the palm of your hand, firmly press the RIDGELINE emblem against the tailgate for 30 seconds.

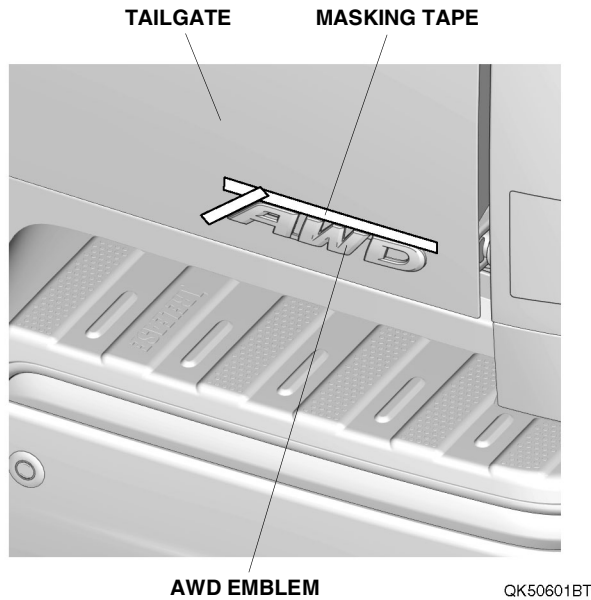


16. Remove the masking tape from the tailgate.

**If the vehicle is equipped with the AWD emblem, continue with step 17; if not, work is completed.**

17. Attach masking tape along the AWD emblem as shown.

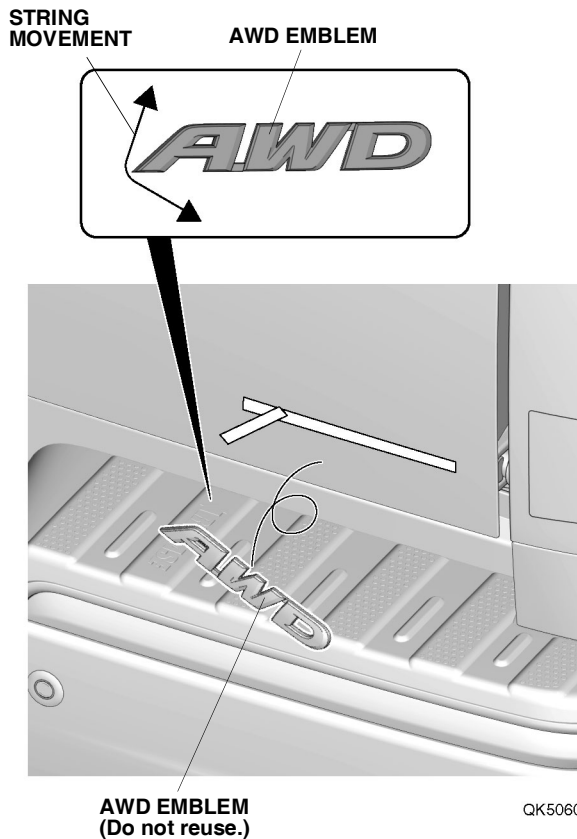
# Germain Honda of College Hills



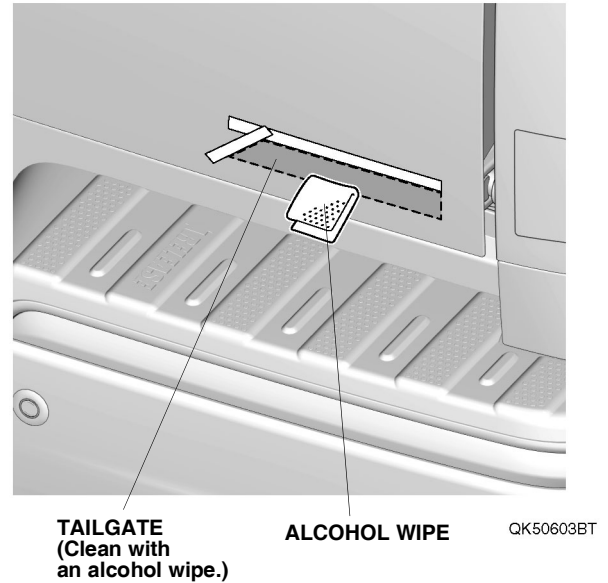
18. Using a piece of string, remove the AWD emblem by cutting along the outer edges as shown.

NOTE:

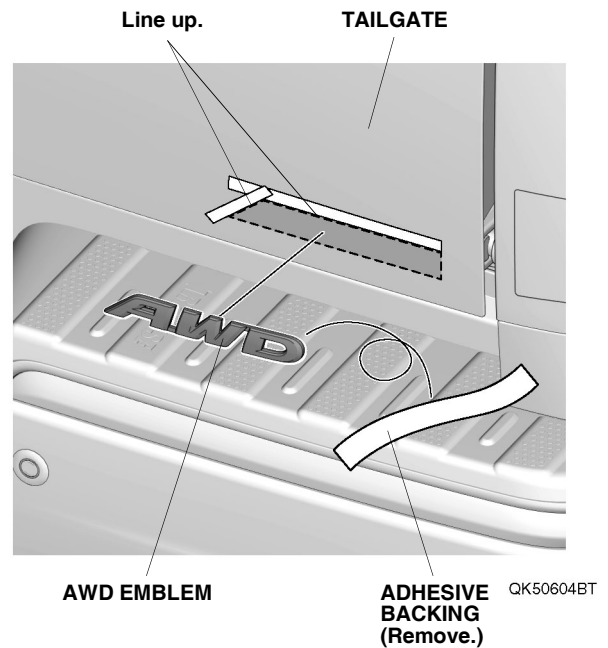
- Do not damage the vehicle body when removing the AWD emblem with the string.
- Make sure to thoroughly remove the adhesive tape from the vehicle body.



19. Using an alcohol wipe, thoroughly clean the tailgate where the AWD emblem will attach.



20. Remove the adhesive backing from the AWD emblem. Line up the AWD emblem with the masking tape, and attach the AWD emblem to the tailgate.



21. Using the palm of your hand, firmly press the AWD emblem against the tailgate for 30 seconds.
22. Remove the masking tape from the tailgate.