



## INSTALLATION INSTRUCTIONS

Accessory  
ROOF RAILS

Application  
2021 RIDGELINE

Publications No.  
**VERSION 1**  
Issue Date  
**JAN 2021**

### PARTS LIST

Roof Rails Kit  
P/N 08L02-T6Z-102  
P/N 08L02-T6Z-102A

Left roof rail



Left front roof rail cover



Left rear roof rail cover



Right roof rail



Right front roof rail cover



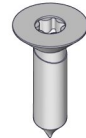
Right rear roof rail cover



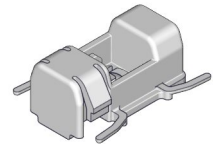
8 TORX nuts



4 TORX screws



6 Molding clips



### TOOLS AND SUPPLIES REQUIRED

Ratchet

10 mm Socket

Masking tape

Torque wrench

Ruler

Tape measure

Felt-tip pen

File

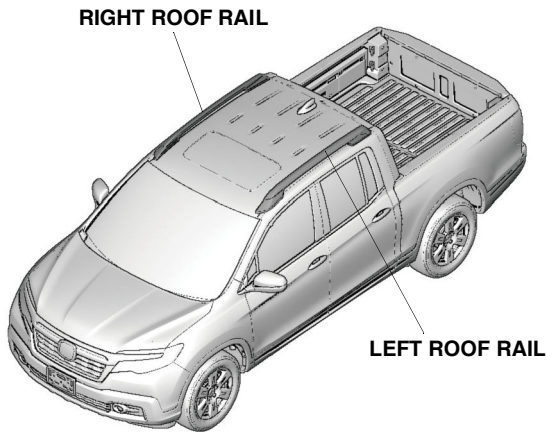
T-15 and T-40 TORX bits

Eye protection (face shield, safety goggles, etc.)

*The following tools are available through the Honda Tool and Equipment Program. On the iN, click on: Service > Service Bay > Tool and Equipment Program, then enter the number under "Search." Or, call 888-424-6857.*

- Plastic Trim Tool (T/N SILTRIMTL10)
- Trim Tool Set (T/N SOJATP2014)
- Air Saw (T/N AT192A)

## Illustration of the Roof Rails on the Vehicle



QE02104BN

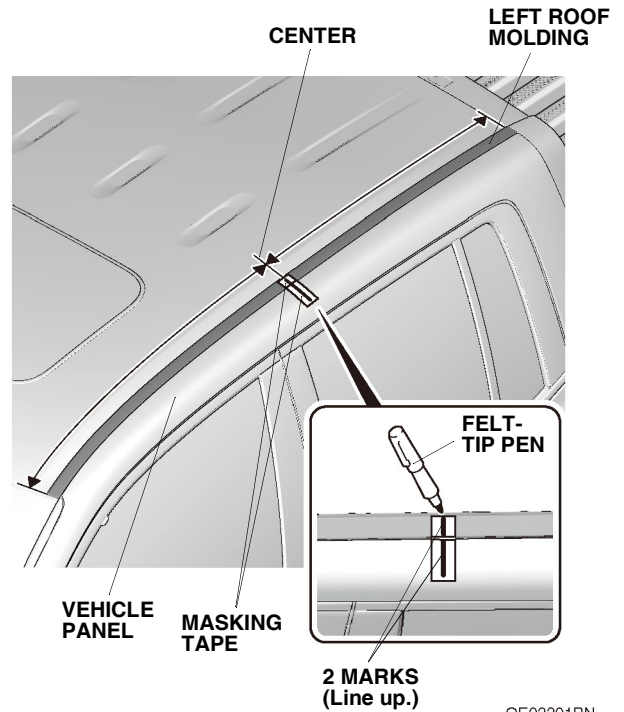
## INSTALLATION

**Customer Information:** The information in this installation instruction is intended for use only by skilled technicians who have the proper tools, equipment, and training to correctly and safely add equipment to your vehicle. These procedures should not be attempted by “do-it-yourselfers.”

### NOTE:

- Be extremely careful not to damage the roof and other finished surfaces of the body when installing the roof rails.
- The weight of the cargo must not exceed the maximum weight capacity of 165 lbs (75 kg).

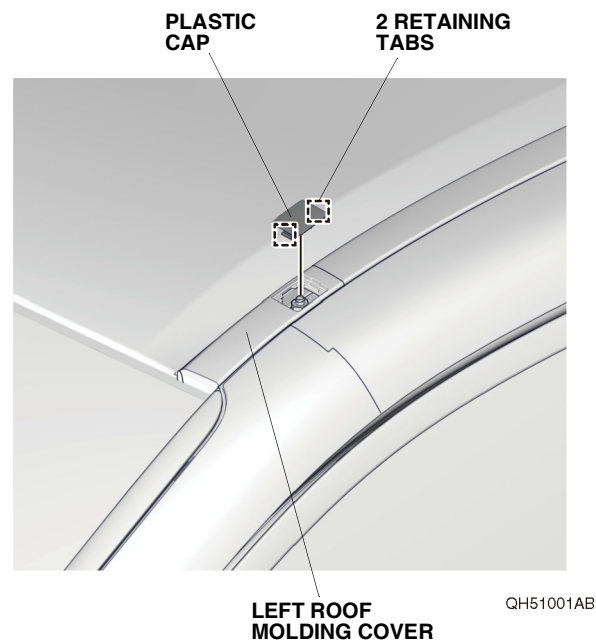
1. Attach a piece of masking tape to the vehicle panel and another piece to the left roof molding in the center. Using a felt-tip pen, draw a straight line in the center of each piece of tape.



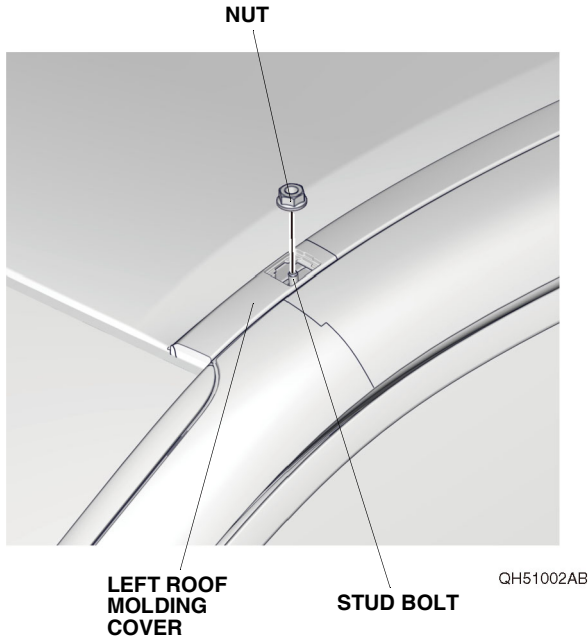
If the roof molding cover is equipped with a plastic cap, go to step 2; otherwise go to step 4.

### With plastic cap

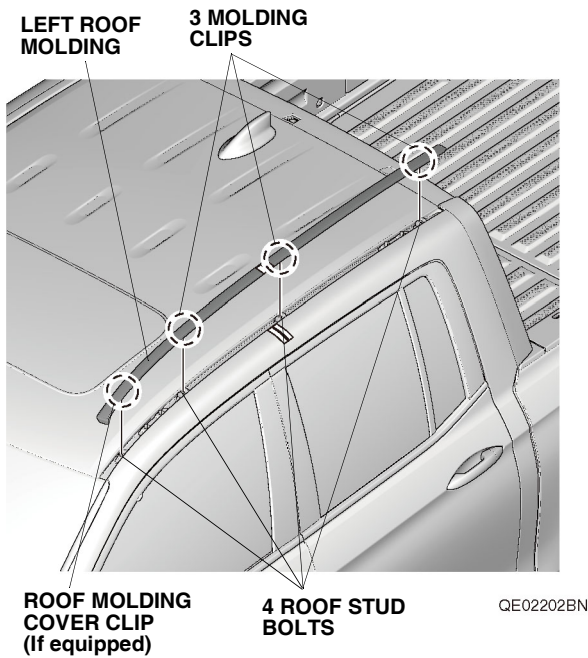
2. Remove the plastic cap from the left roof molding cover as shown.



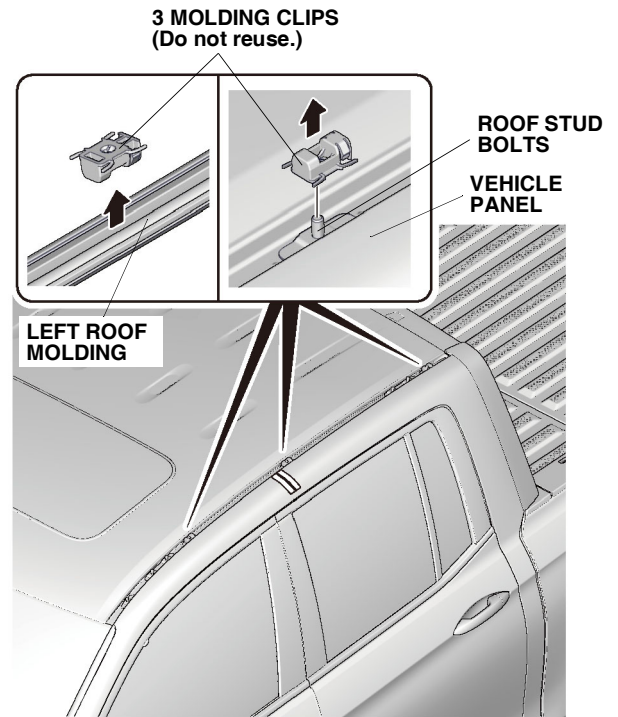
3. Remove the nut from the stud bolt.



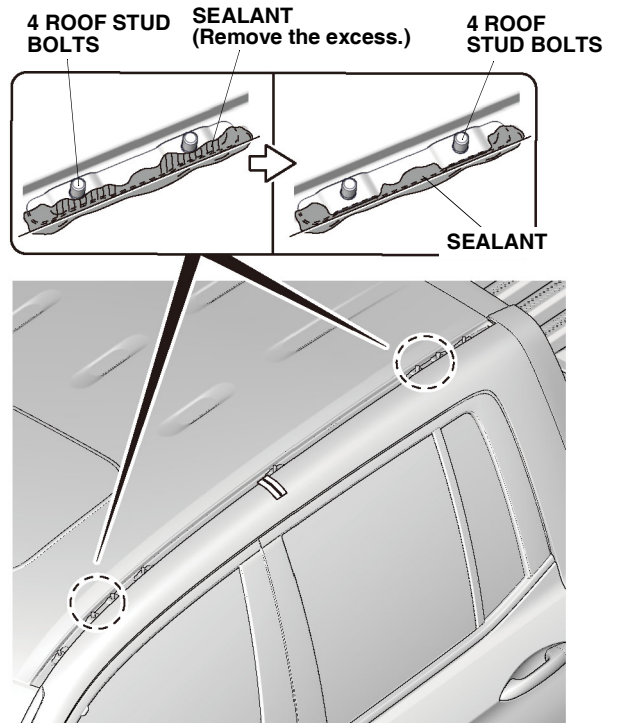
4. Using a plastic trim tool, carefully remove the left roof molding as shown.



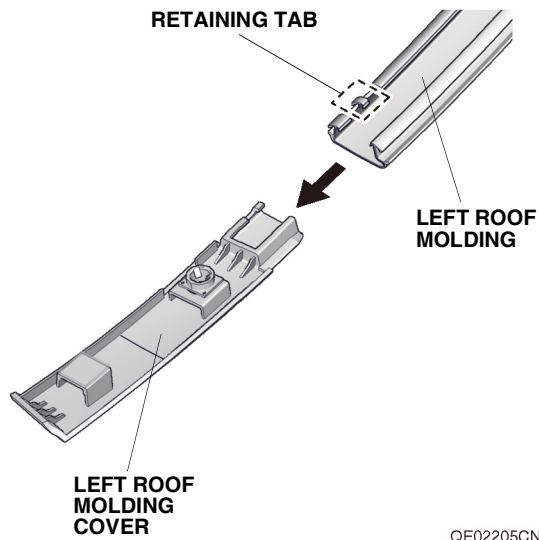
5. Remove the three molding clips from either the left roof molding or the roof stud bolts.



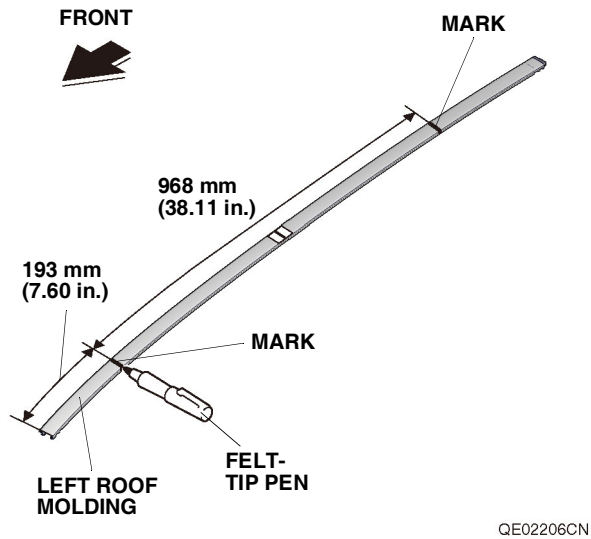
6. Remove any excess sealant from the four roof stud bolts.



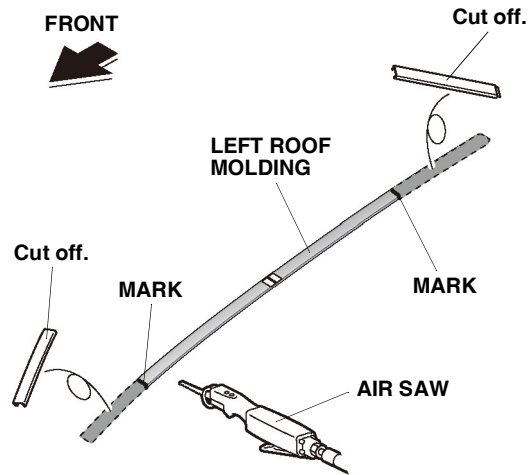
7. Remove the left roof molding cover from the left roof molding as shown.



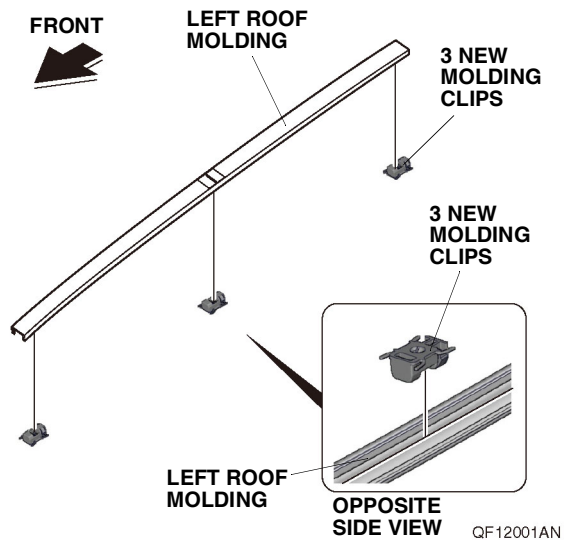
8. Using a felt-tip pen, mark the left roof molding as shown.



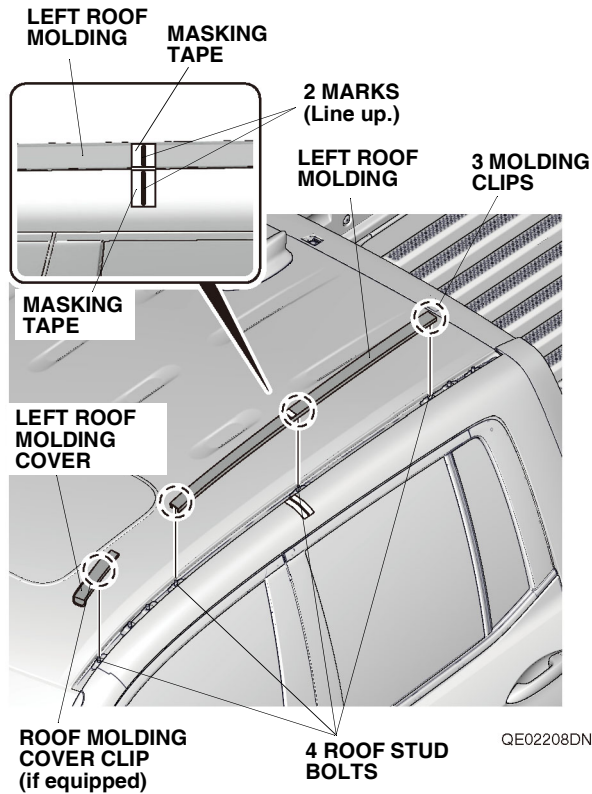
9. While wearing eye protection, use an air saw to cut the left roof molding at the two marks made in step 8. Remove any burrs.



10. Install the three new molding clips to the left roof molding.



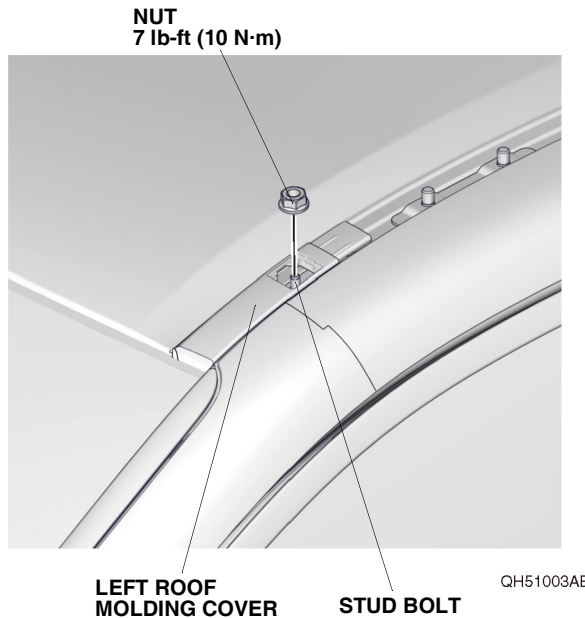
11. Install the left roof molding cover and left roof molding with the three molding clips and one roof molding cover clip. Line up the marks made in step 1 on the vehicle panel and left roof molding.



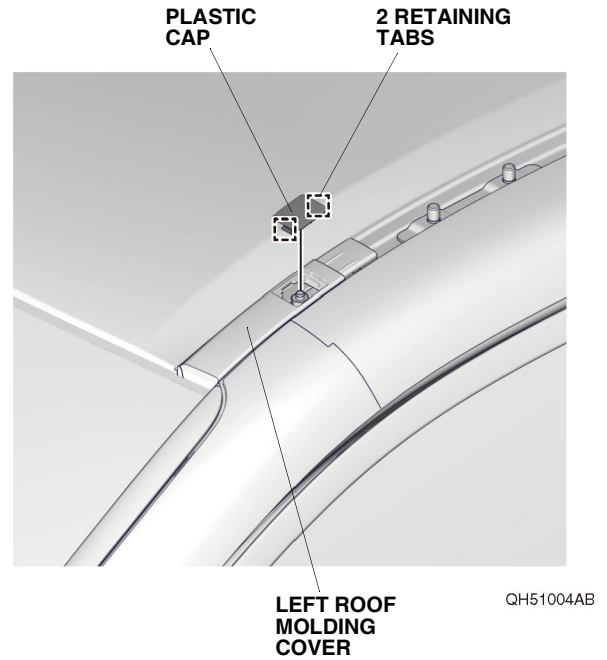
If the roof molding cover is equipped with a plastic cap, go to step 12; otherwise go to step 14.

### With plastic cap

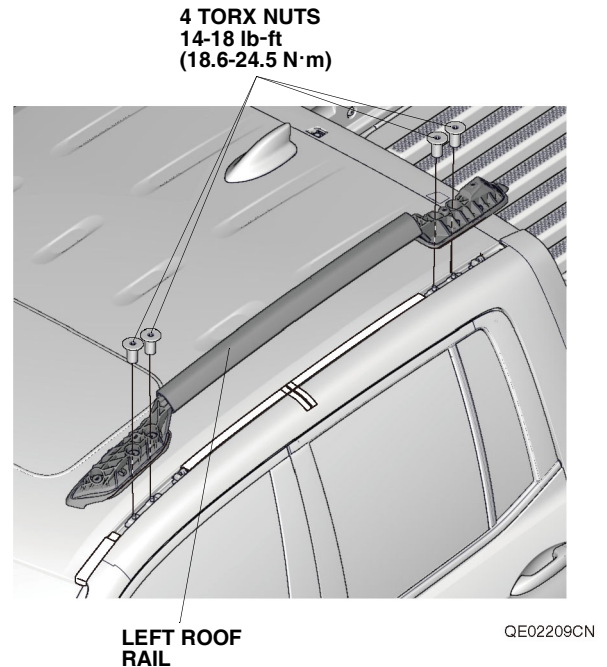
12. Install the nut to the stud bolt. Torque the nut to 7 lb-ft (10 N·m).



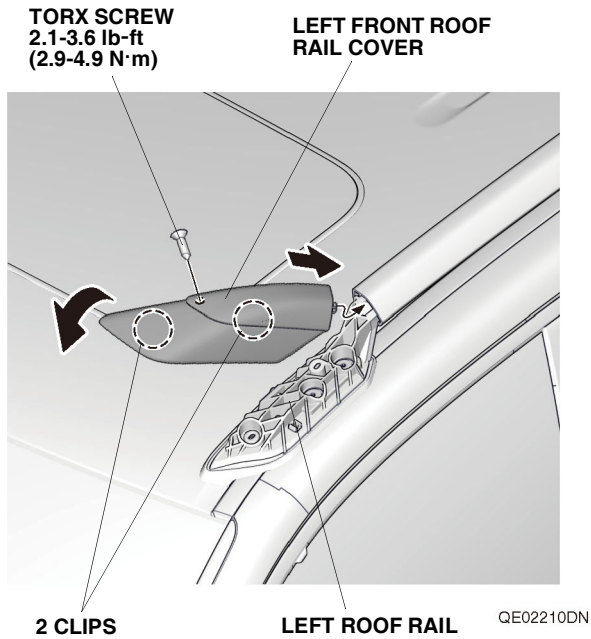
13. Install the plastic cap to the left roof molding cover with two retaining tabs.



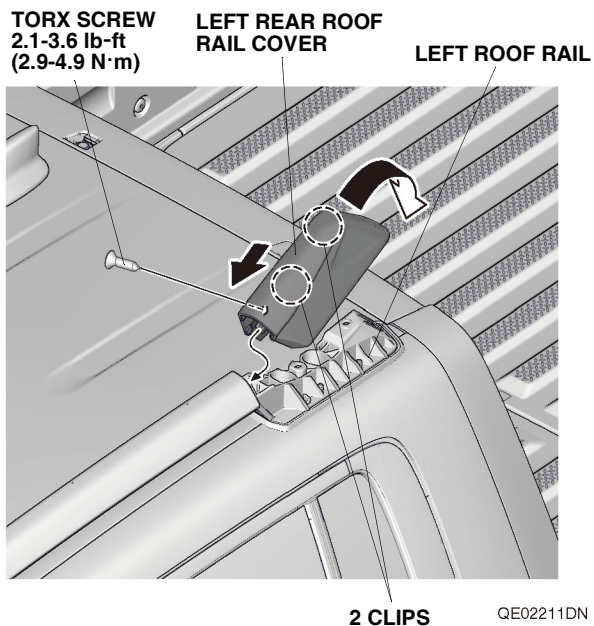
14. Install the left roof rail with the four TORX nuts. Torque the TORX nuts to 14-18 lb-ft (18.6-24.5 N·m).



15. Install the left front roof rail cover to the left roof rail with the two clips and one TORX screw. Torque the TORX screw to 2.1-3.6 lb-ft (2.9-4.9 N·m).



16. Install the left rear roof rail cover to the left roof rail with the two clips and one TORX screw. Torque the TORX screw to 2.1-3.6 lb-ft (2.9-4.9 N·m).



17. Remove the masking tape from the vehicle.
18. Repeat steps 1 through 17 on the right side of the vehicle.