



## INSTALLATION INSTRUCTIONS

Accessory  
**TONNEAU COVER (HARD)**  
 P/N 08Z07-T6Z-100

Application  
**2020 RIDGELINE**

Publications No.  
**VERSION 1**  
 Issue Date  
**NOV 2019**

### PARTS LIST

Tonneau cover



Left front bracket



Right front bracket



Left rear bracket



Right rear bracket



Accessory user's information manual



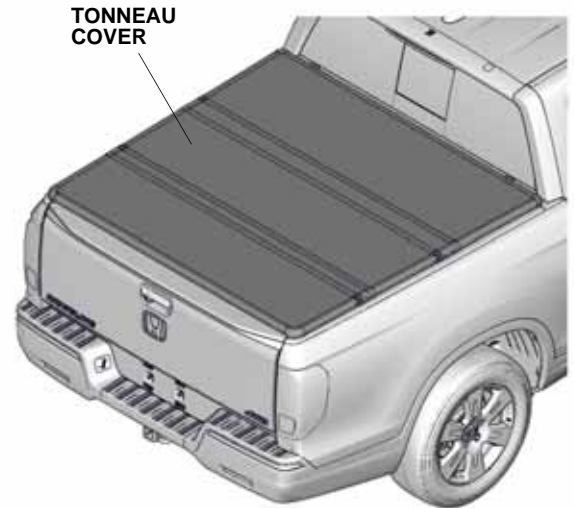
### TOOLS AND SUPPLIES REQUIRED

Ratchet

T-50 TORX bit

Torque wrench

### Illustration of the Tonneau Cover on the Vehicle



QF11901AA

### INSTALLATION

**Customer Information:** The information in this installation instruction is intended for use only by skilled technicians who have the proper tools, equipment, and training to correctly and safely add equipment to your vehicle. These procedures should not be attempted by "do-it-yourselfers."

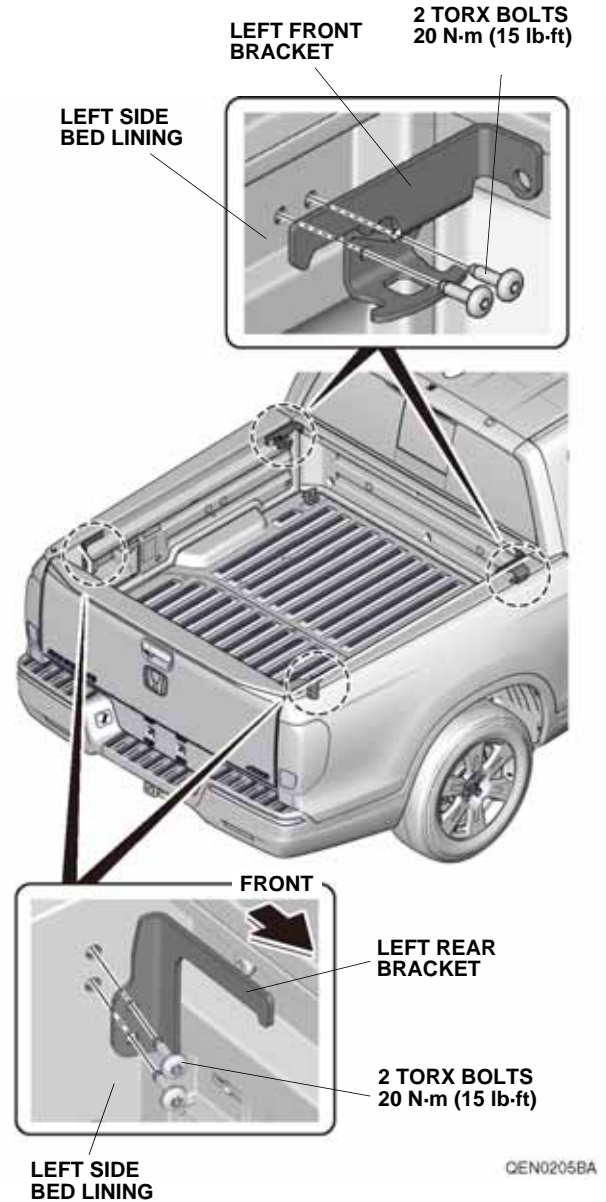
NOTE: Do not damage the body paint finish.

## Installing the Tonneau Cover

1. Remove the left front upper tie-down hook and left rear upper tie-down hook. Repeat on the other side.

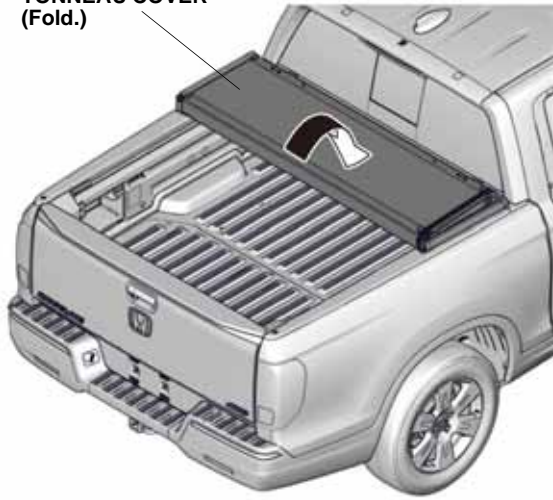


2. Install the left front bracket and left rear bracket to the left side bed lining with the four TORX bolts removed in step 1. Torque the TORX bolts to 20 N·m (15 lb·ft). Repeat on the other side.  
**NOTE:** Make sure that the brackets are installed in the correct position and orientation.



3. Fold the tonneau cover, then put it on the vehicle.

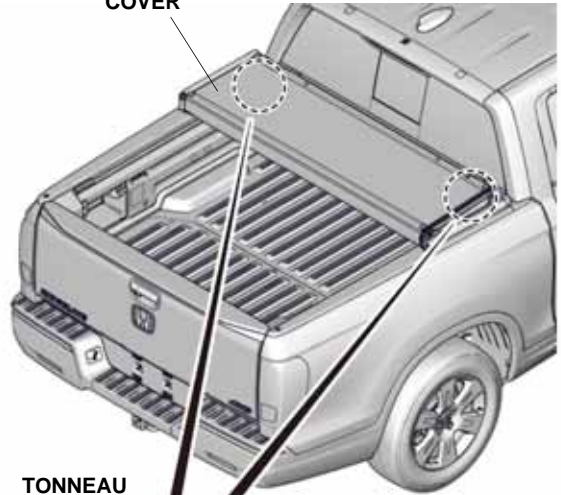
TONNEAU COVER  
(Fold.)



QF11902AA

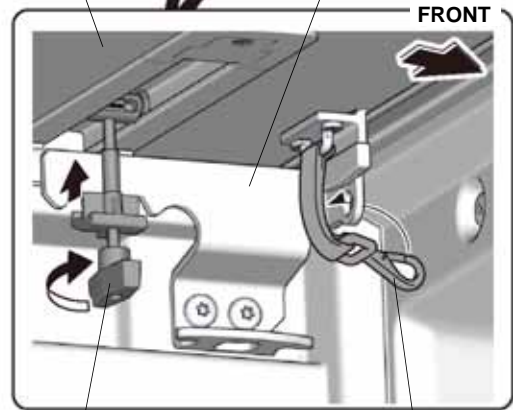
4. Tighten the wing nut of the tonneau cover and attach the clip to the left front bracket. Repeat on the other side.

TONNEAU COVER



TONNEAU COVER  
(inside)

LEFT FRONT BRACKET

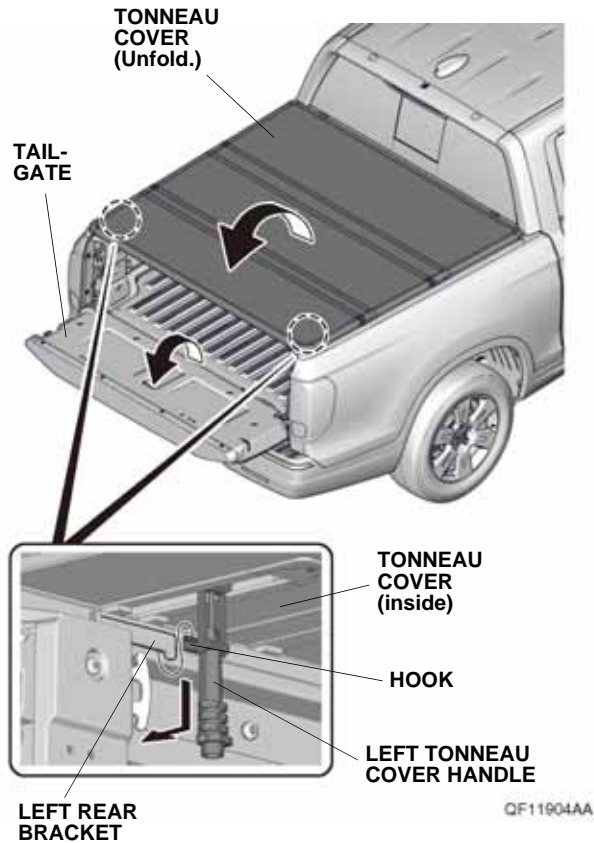


WING NUT  
(Tighten.)

CLIP

QF11903AA

5. Open the tailgate, then unfold the tonneau cover.



6. Pull down the left tonneau cover handle and slide outward while pulling down. Attach the hook to the left rear bracket. Repeat on the other side.
7. Close the tailgate. Make sure the tailgate is properly closed.