



## INSTALLATION INSTRUCTIONS

Accessory  
**RUNNING BOARDS  
 (DIE CAST)  
 P/N 08L33-T6Z-100**

Application  
**2020 RIDGELINE**

Publications No.  
**VERSION 1**  
 Issue Date  
**NOV 2019**

### PARTS LIST

Left running board



Right running board



Left bracket A



Right bracket A



Left bracket B



Right bracket B



Left bracket C



Right bracket C



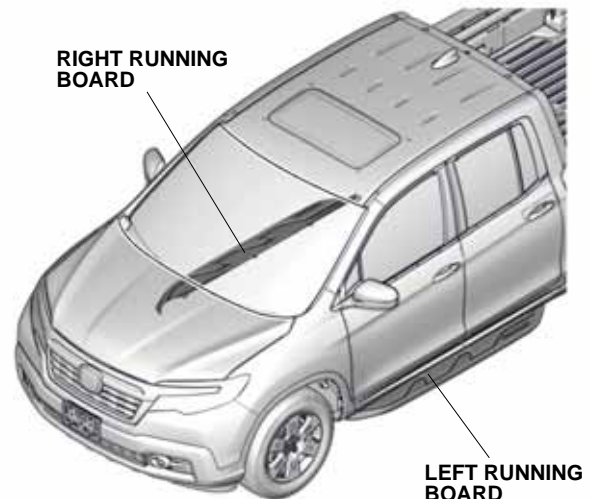
24 Flange bolts



### TOOLS AND SUPPLIES REQUIRED

- Ratchet
- File
- 13 mm Socket
- Torque wrench
- Utility knife
- Touch-up paint

### Illustration of the Running Boards on the Vehicle



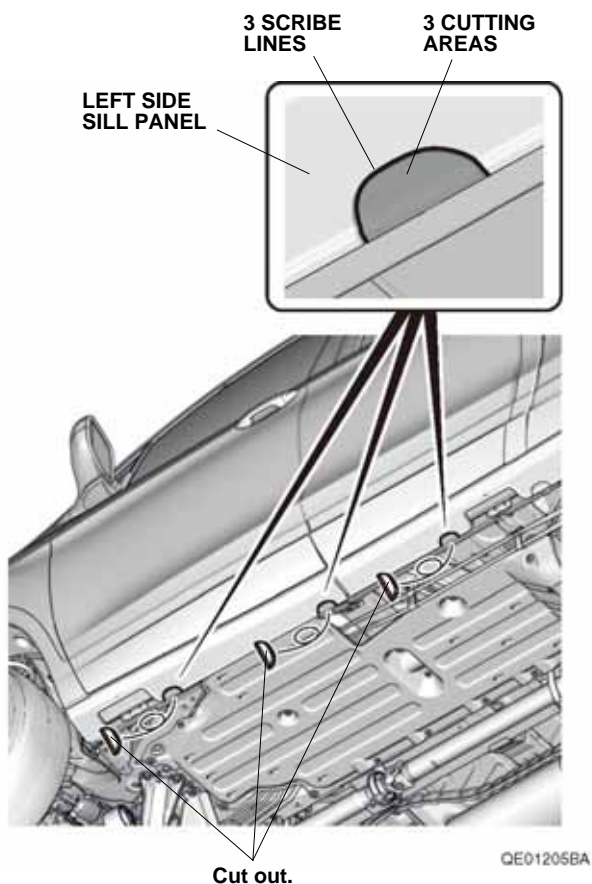
QE01204BA

## INSTALLATION

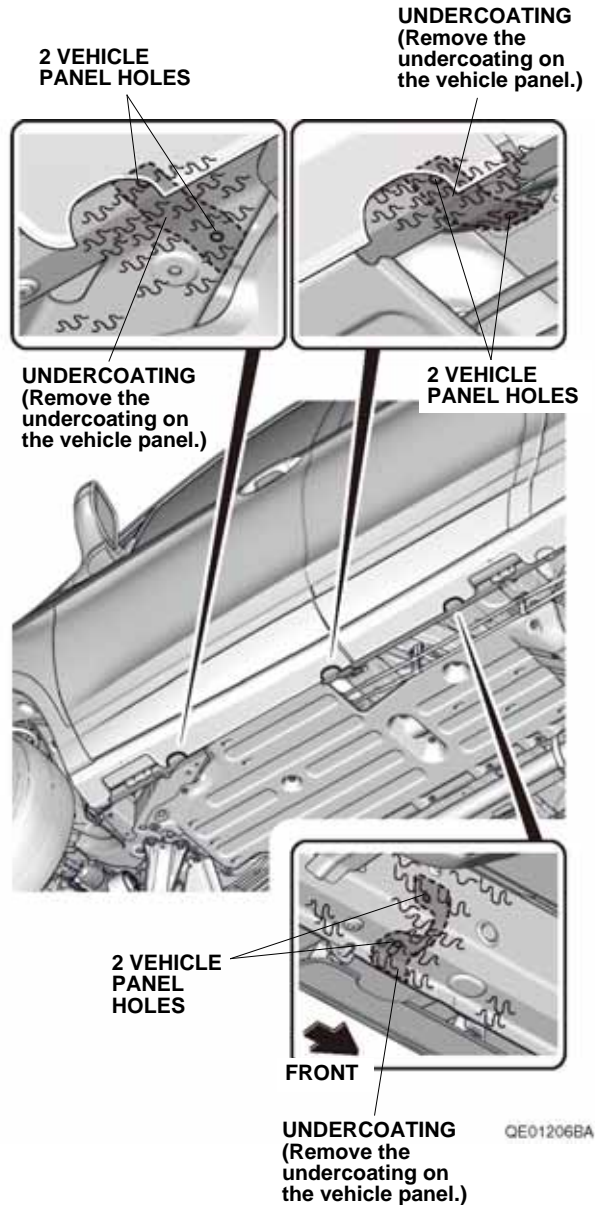
**Customer Information:** The information in this installation instruction is intended for use only by skilled technicians who have the proper tools, equipment, and training to correctly and safely add equipment to your vehicle. These procedures should not be attempted by "do-it-yourselfers."

### NOTE:

- Thoroughly clean the bottom of the body between the front and rear wheels.
  - Do not damage the body paint finish.
1. Using a utility knife, cut out the left side sill panel as shown. Remove any burrs.

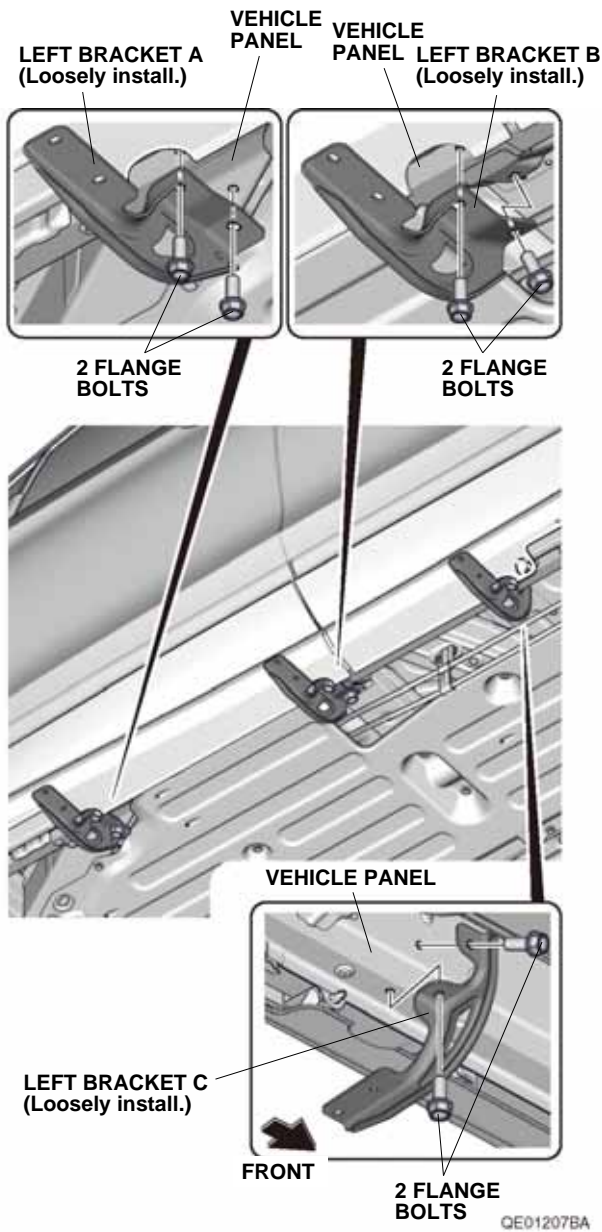


2. Remove the undercoating as shown. Apply touch-up paint where you removed the undercoating and allow it to dry thoroughly.

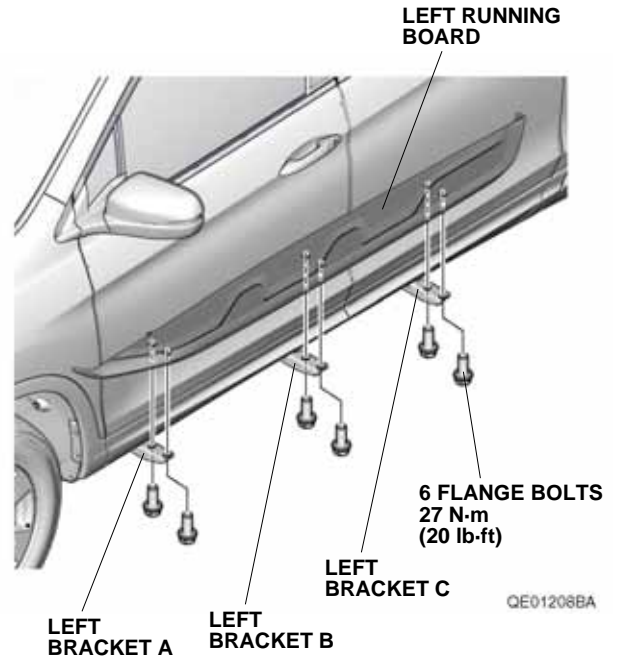


3. Loosely install the left bracket A, left bracket B, and left bracket C to the vehicle panel with six flange bolts.

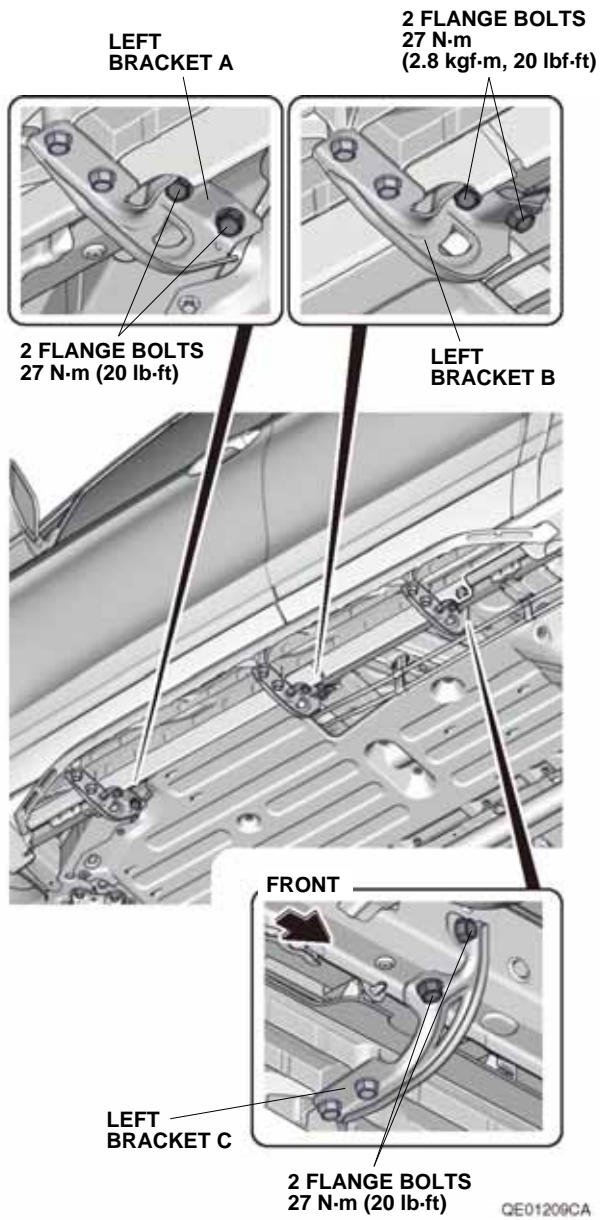
NOTE: Make sure that the brackets are installed in the correct positions and orientations.



4. With the help of an assistant, install the left running board to the left bracket A, left bracket B, and left bracket C with six flange bolts. Torque the flange bolts to 27 N·m (20 lb·ft).



5. Tighten the six flange bolts loosely installed in step 3. Torque the flange bolts to 27 N·m (20 lb·ft).



6. Repeat steps 1 through 5 on the right side of the vehicle.