



## INSTALLATION INSTRUCTIONS

Accessory  
CARGO TRUNK NET  
P/N08L96-T6Z-100

Application  
2019 RIDGELINE

Publications No.  
**VERSION 1**  
Issue Date  
**FEB 2018**

### PARTS LIST

Cargo trunk net



2 Anchors



2 Bolts



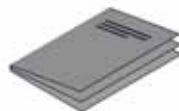
2 Well-nuts



2 Washers



Accessory user's information manual



### TOOLS AND SUPPLIES REQUIRED

Center punch

Drill

Felt-tip pen

File

Eye protection (face shield, safety goggles, etc.)

*The following tool is available through the Honda Tool and Equipment Program. On the iN, click on: Service > Service Bay > Tool and Equipment Program, then enter the number under "Search." Or, call 888-424-6857.*

Rotabroach Hole Cutting Kit (T/N BLR11201SO)

### Illustration of the Cargo Trunk Net in the Vehicle



CARGO TRUNK NET

GE01401BN

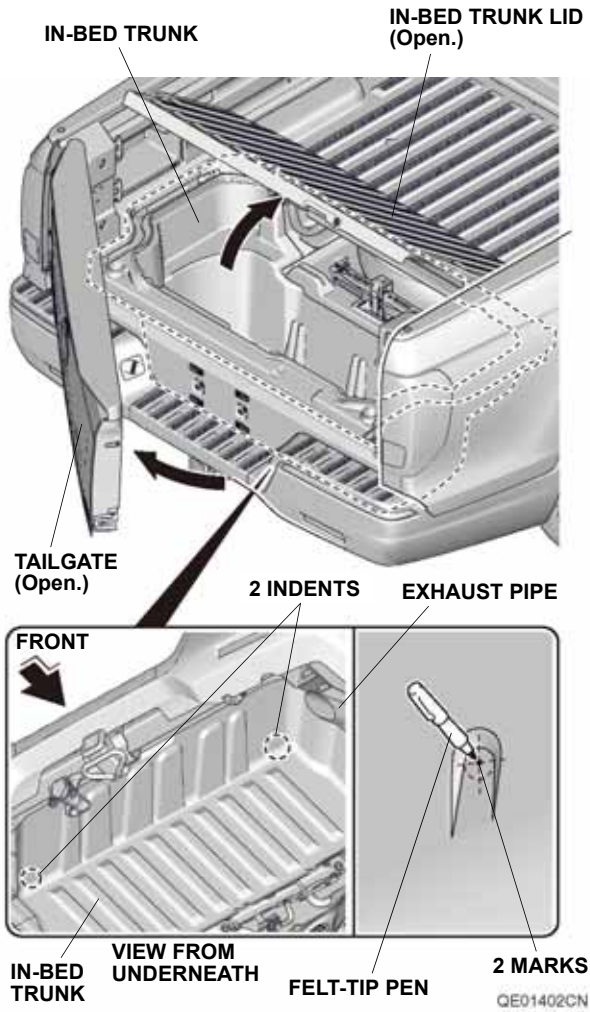
### INSTALLATION

**Customer Information:** The information in this installation instruction is intended for use only by skilled technicians who have the proper tools, equipment, and training to correctly and safely add equipment to your vehicle. These procedures should not be attempted by "do-it-yourselfers."

#### NOTE:

- Leave a copy of these installation instructions in the vehicle.
- Be careful not to damage the body.

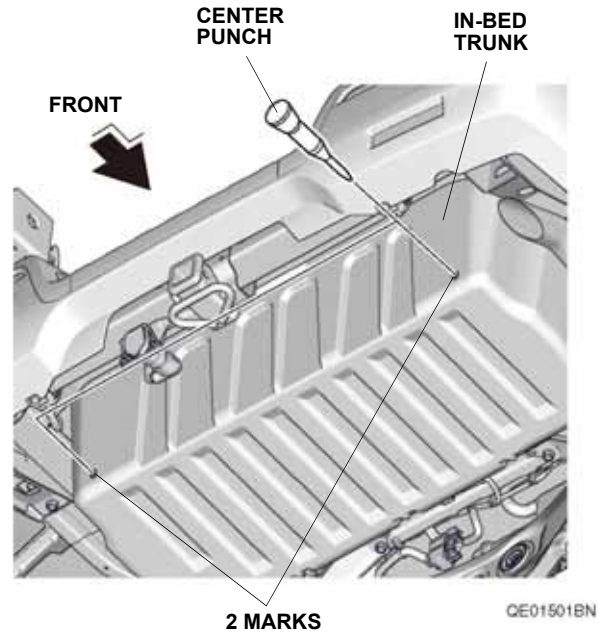
1. Open the tailgate, then open the in-bed trunk lid.



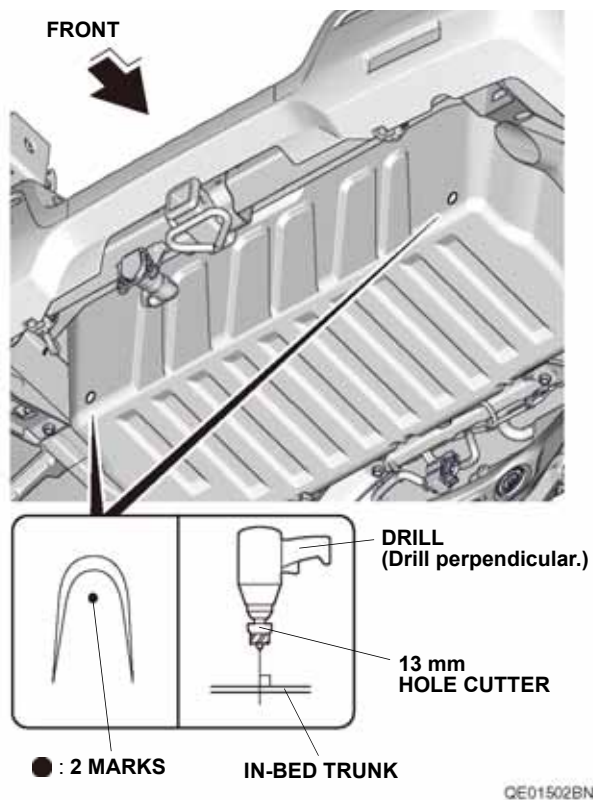
2. Using a felt-tip pen, mark the center of the indents as shown.

3. Using a center punch, punch the center of the two marks.

NOTE: If using an automatic punch, set it to the minimum setting.

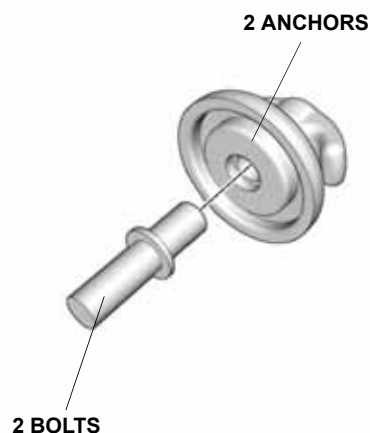


4. While wearing eye protection, drill the two marks you made with a 13 mm hole cutter. Remove any burrs. **NOTE:** Make sure to drill perpendicular to the in-bed trunk.

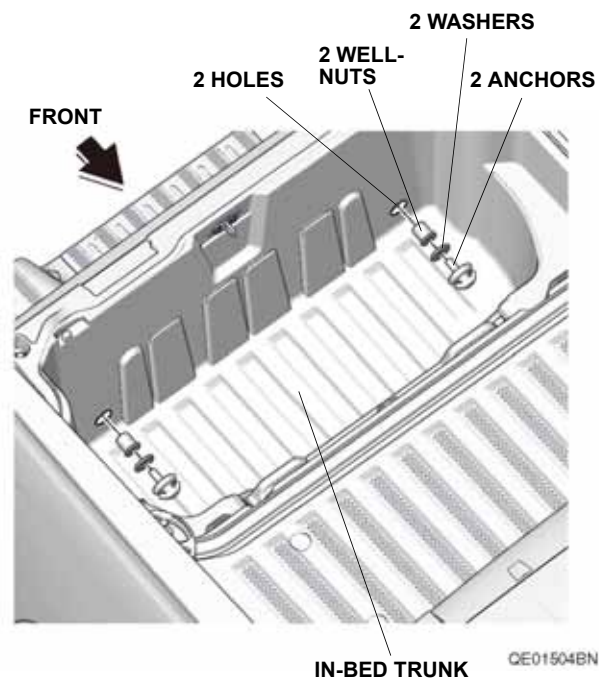


5. Apply touch-up paint to the edge of the holes. Allow the touch-up paint to dry thoroughly.

6. Install the bolts into the anchors.

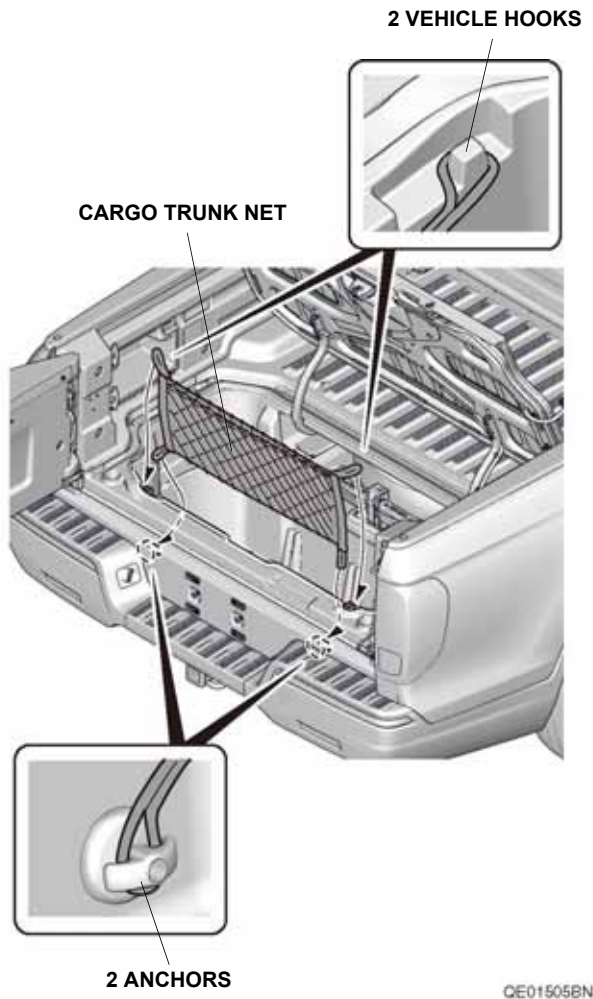


7. Press one well-nut into each hole.



8. Place one washer onto each anchor and install the anchors into each well-nut. Tighten the two anchors. **NOTE:** Make sure the well-nut is fully expanded to prevent water leaks.

9. Install the cargo trunk net onto the anchors and vehicle hooks as shown.



## USE AND CARE

- The tailgate must be closed when using the cargo trunk net.
- To prevent damage to the cargo trunk net or vehicle, do not store heavy or fragile objects in the cargo trunk net.
- Before storing objects that have sharp edges or corners, wrap them with paper or in a blanket so their sharp edges or corners do not damage the cargo trunk net or vehicle.
- Do not use the cargo trunk net anchors for any other purpose.
- Remove the cargo trunk net before removing the spare tire tray.