



## INSTALLATION INSTRUCTIONS

Accessory	Application	Publications No.
TOWING KIT P/N 08L92-T6Z-100	2019 RIDGELINE	VERSION 1
		Issue Date FEB 2018

### PARTS LIST

Receiver cover



Ball mount



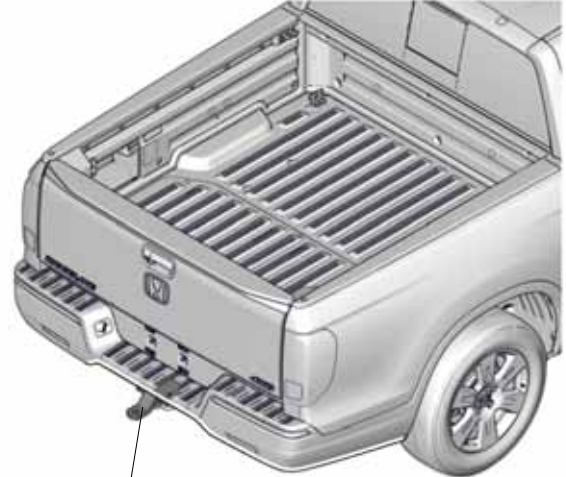
Lock pin



2 Keys



### Illustration of the Towing Kit in the Vehicle



BALL MOUNT

QE03004CA

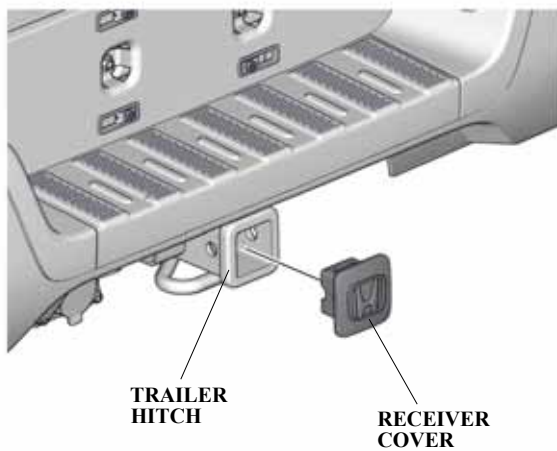
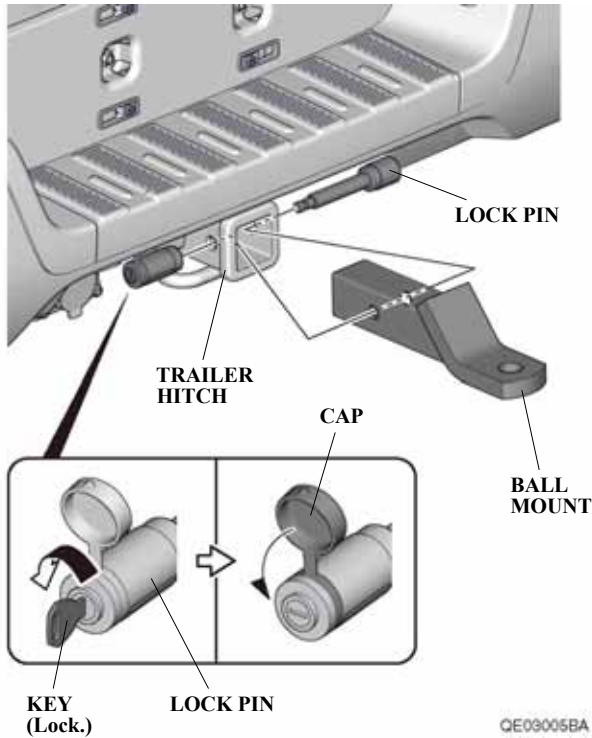
## INSTALLATION

### Installing the Towing Kit

#### NOTE:

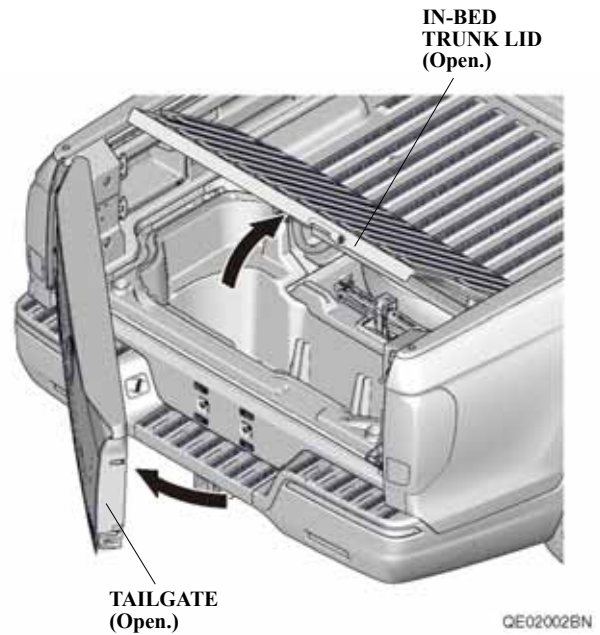
- Leave a copy of these installation instructions in the vehicle.
- Be careful not to damage the body.
- Whenever you remove the lock pin and ball mount, follow the procedures called out in “Storing the Towing Kit” section below.

Install the ball mount into the trailer hitch and lock it in place with the lock pin. Cover the key slot with the lock pin cap. Store the receiver cover in the tool box.

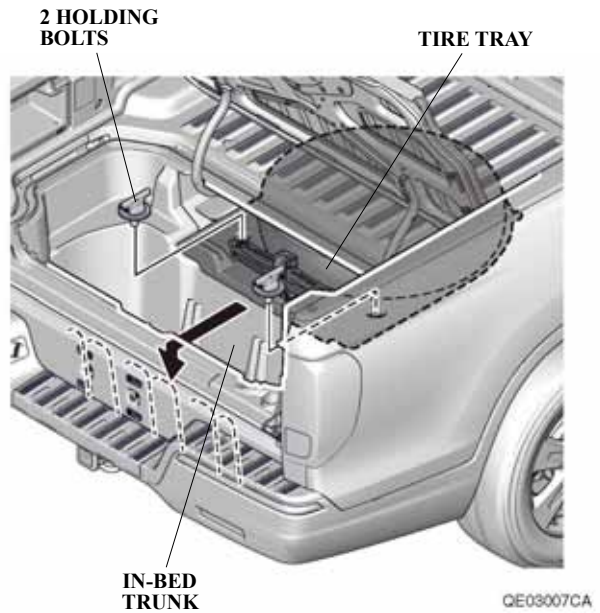


### Storing the Towing Kit

1. Open the tailgate, then open the in-bed trunk lid.



2. Remove the two holding bolts, pull back the tire tray, and rest it on the back edge of the in-bed trunk.



3. Store the towing kit in the tool box as shown. Install the tire tray.

