



## INSTALLATION INSTRUCTIONS

Accessory  
TRAILER HARNESS  
P/N 08L91-T6Z-100

Application  
2019 RIDGELINE

Publications No.  
**VERSION 1**  
Issue Date  
**FEB 2018**

### PARTS LIST

Socket bracket



Socket harness



Control unit



Subharness kit



2 Blade fuses, 7.5 A



2 Blade fuses, 20 A



2 Relays



Flange bolt A



5 Flange bolts B



3 Rivet nuts



Clip



### TOOLS AND SUPPLIES REQUIRED

10 mm and 19 mm Open end wrenches

Ratchet

10 mm and 14 mm Sockets

Rubber mallet

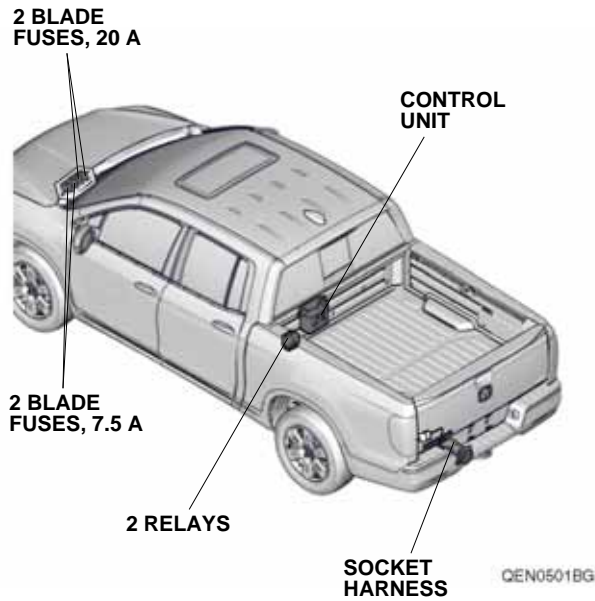
Hex wrench

Shop towel

*The following tools are available through the Honda Tool and Equipment Program. On the iN, click on: Service > Service Bay > Tool and Equipment Program, then enter the number under "Search." Or, call 888-424-6857.*

- Plastic Trim Tool (T/N SILTRIMTL10)
- Rivet Nut Tool, 6 mm (T/N 07AAE-000A100)

## Illustration of the Trailer Harness on the Vehicle

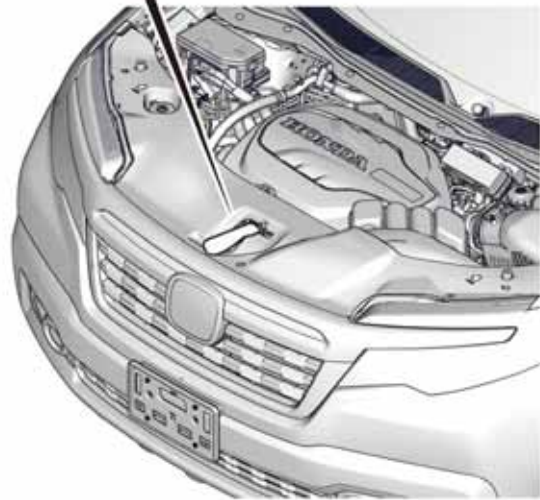
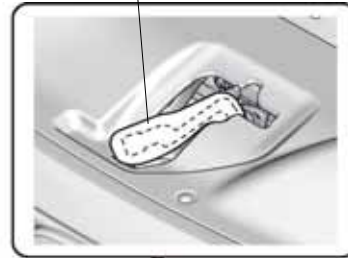


## INSTALLATION

**Customer Information:** The information in this installation instruction is intended for use only by skilled technicians who have the proper tools, equipment, and training to correctly and safely add equipment to your vehicle. These procedures should not be attempted by “do-it-yourselfers.”

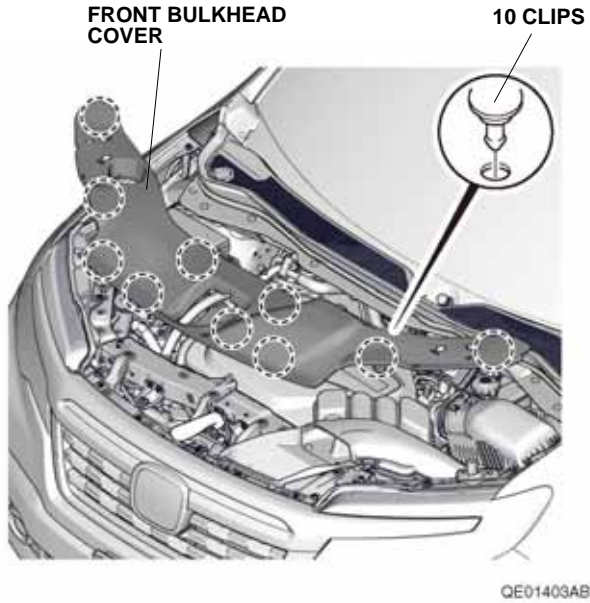
1. Disconnect the negative cable from the battery:
  - Wrap a shop towel around the hood latch.

**HOOD LATCH**  
(Wrap with a shop towel.)

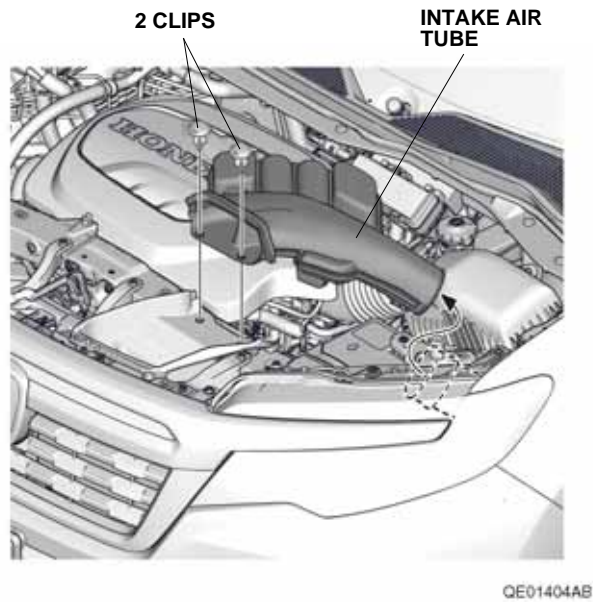


QE01402BB

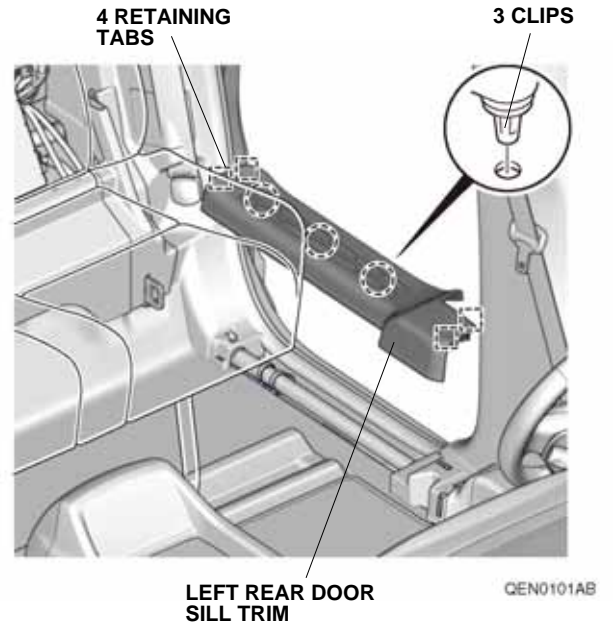
- Remove the front bulkhead cover.



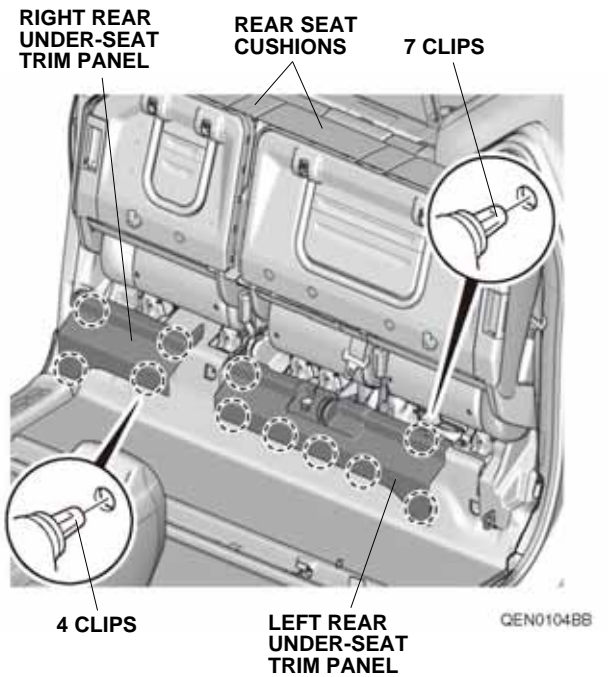
- Remove the intake air tube.
- Disconnect the negative cable from the battery.



- Remove the left rear door sill trim.

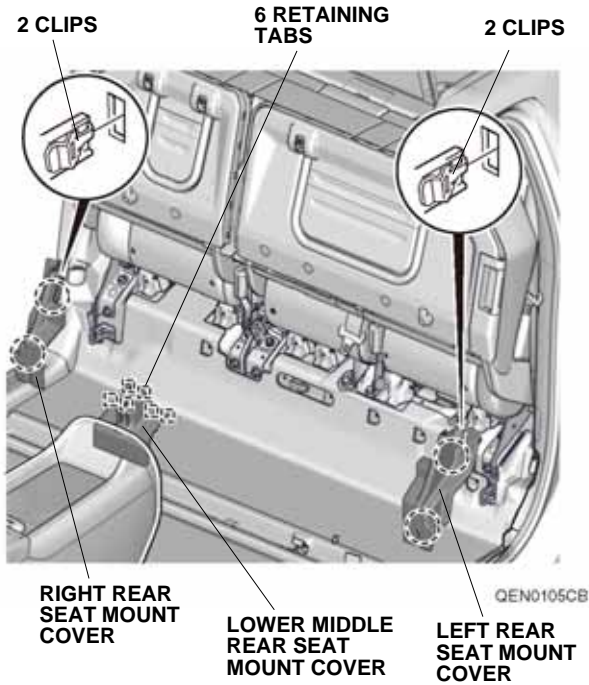


- Raise the rear seat cushions. Remove the left rear under-seat trim panel.

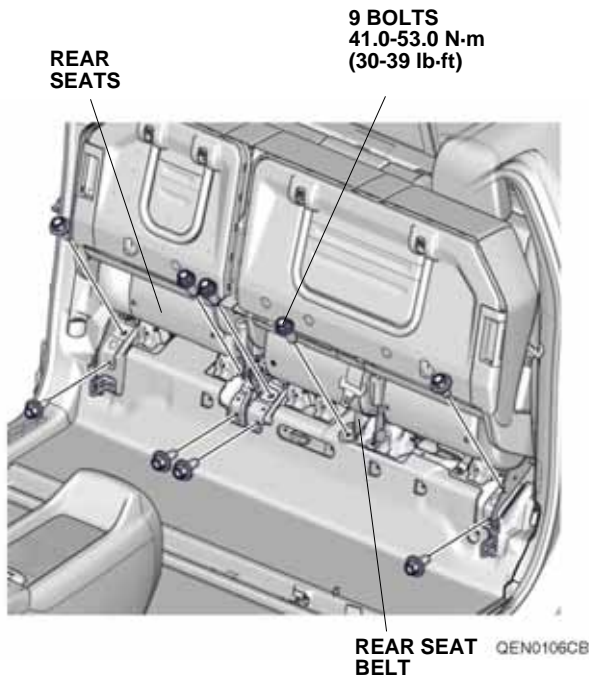


- Remove the right rear under-seat trim panel.

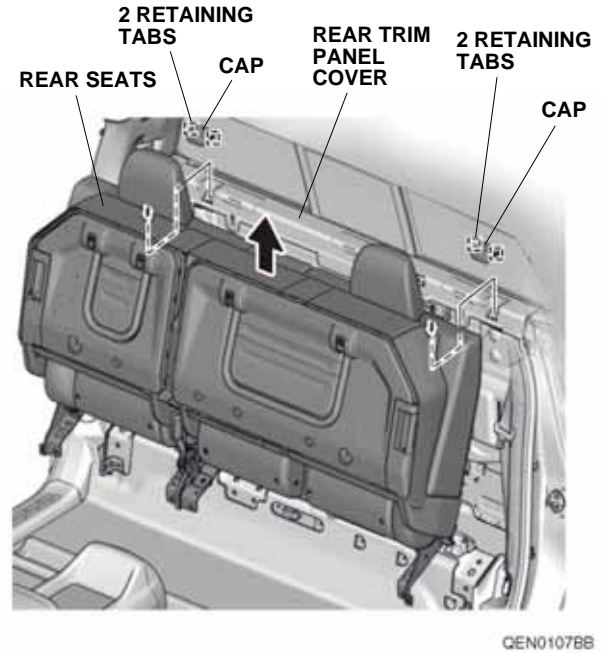
5. Remove the left and right rear seat mount covers.



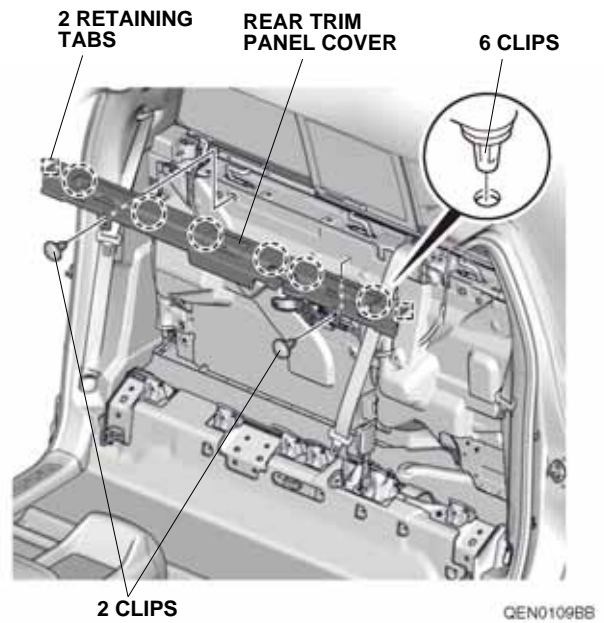
6. Remove the lower middle rear seat mount cover (six retaining tabs).
7. Remove the nine bolts. Torque the bolts to 41.0-53.0 N·m (30-39 lb·ft).



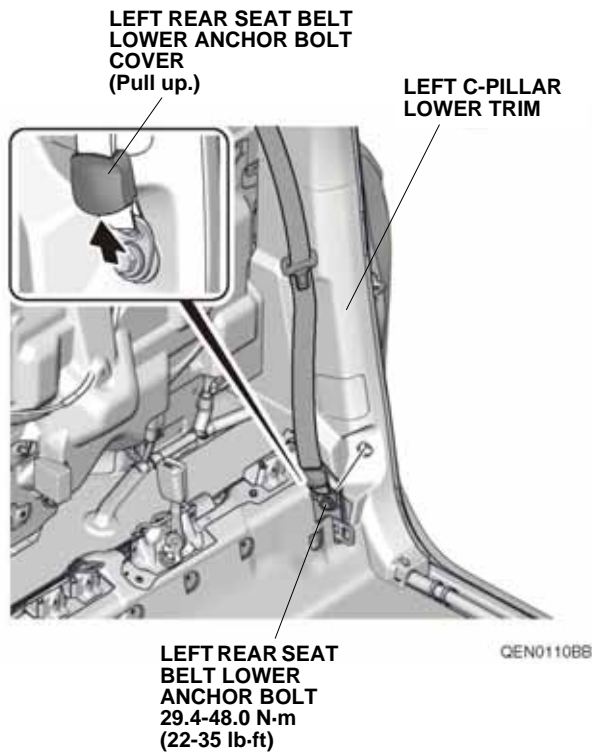
8. Remove the two caps from the rear trim panel cover.



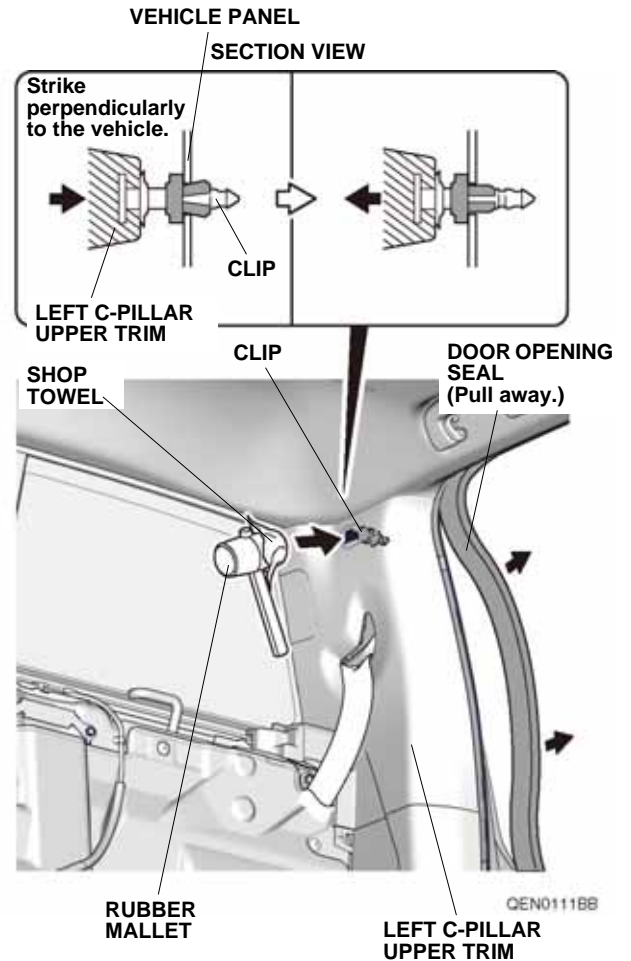
9. With the help of an assistant, remove the rear seats.
10. Remove the rear trim panel cover.



11. Pull up the left rear seat belt lower anchor bolt cover and remove the left rear seat belt lower anchor bolt. Torque the left rear seat belt lower anchor bolt to 29.4-48.0 N·m (22-35 lb·ft).

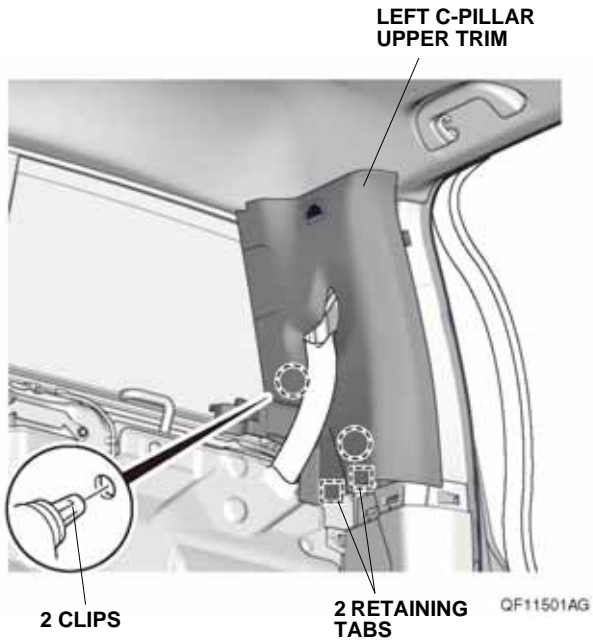


12. Pull away the door opening seal from around the left C-pillar upper trim.

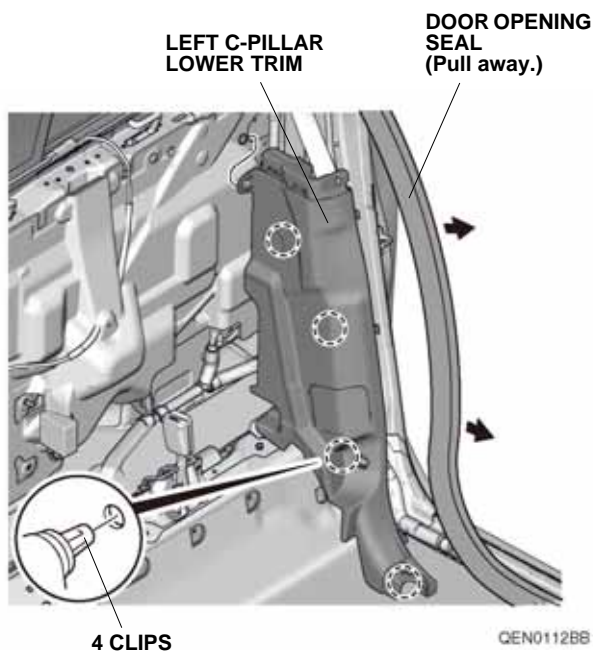


13. Using a rubber mallet wrapped with a shop towel, lightly tap the area marked SIDE CURTAIN AIRBAG on the left C-pillar upper trim to push in the clip. NOTE: Make sure to strike the area perpendicular to the vehicle.

14. Remove the left C-pillar upper trim.

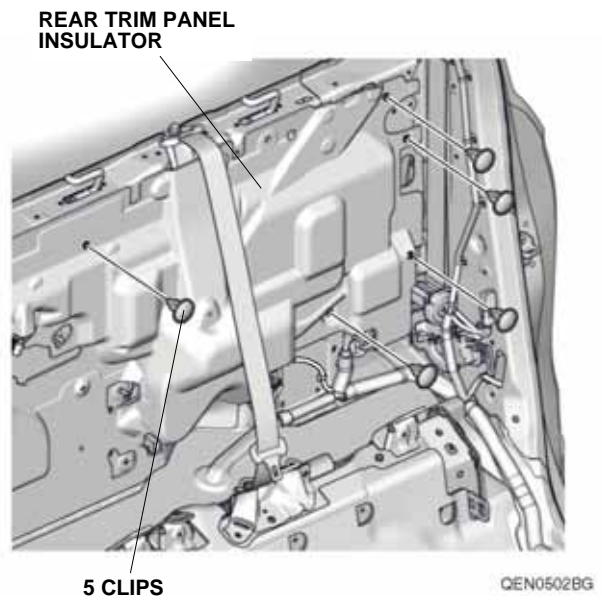


15. Pull away the door opening seal from around the left C-pillar lower trim.

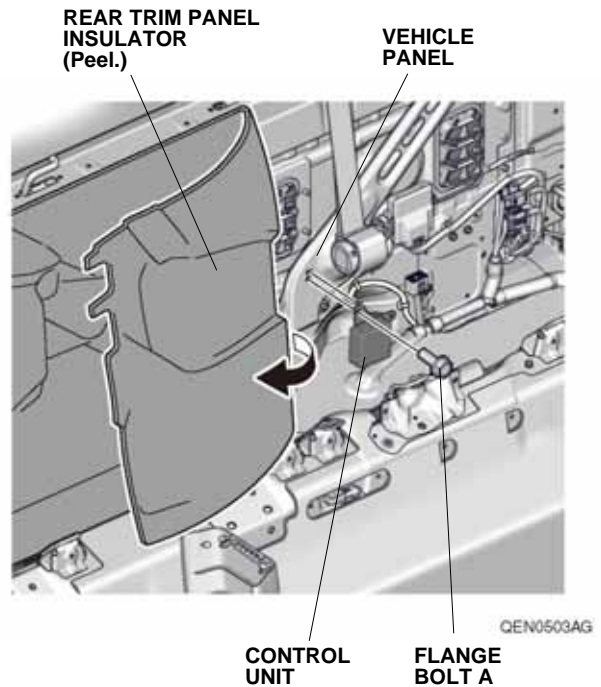


16. Remove the left C-pillar lower trim.

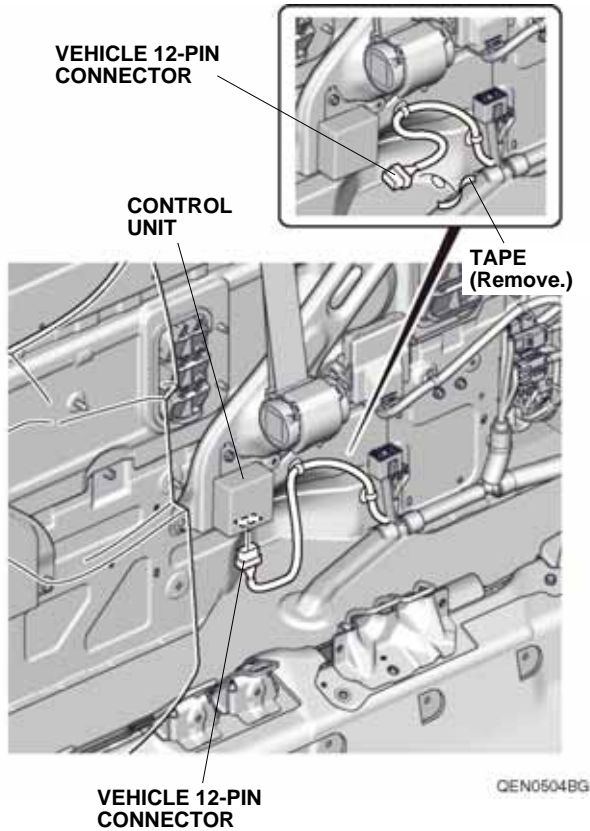
17. Remove the five clips from the rear trim panel insulator.



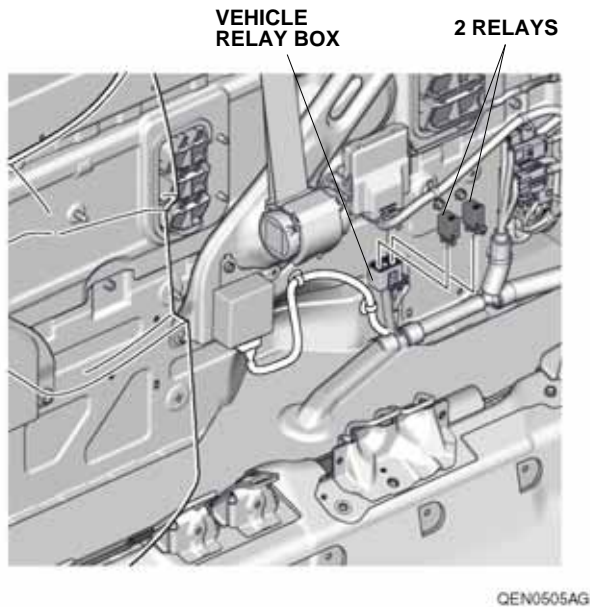
18. Peel the rear trim panel insulator. Secure the control unit to the vehicle panel with one flange bolt A.



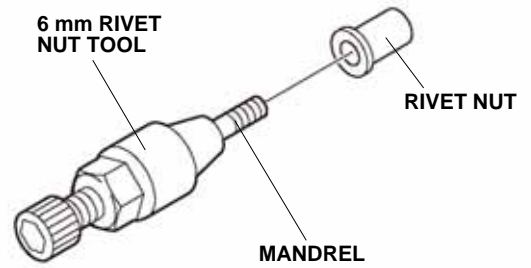
19. Remove the tape to free the vehicle 12-pin connector and plug it to the control unit.



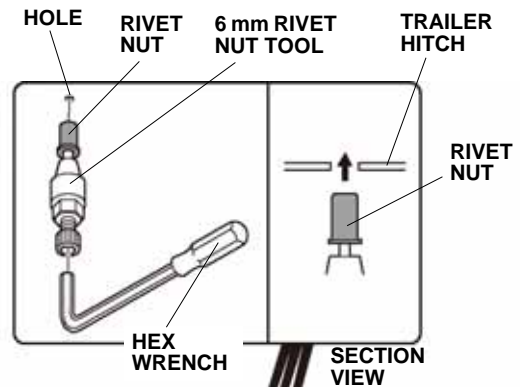
20. Install the two relays into the vehicle relay box. Reinstall the rear trim panel insulator.



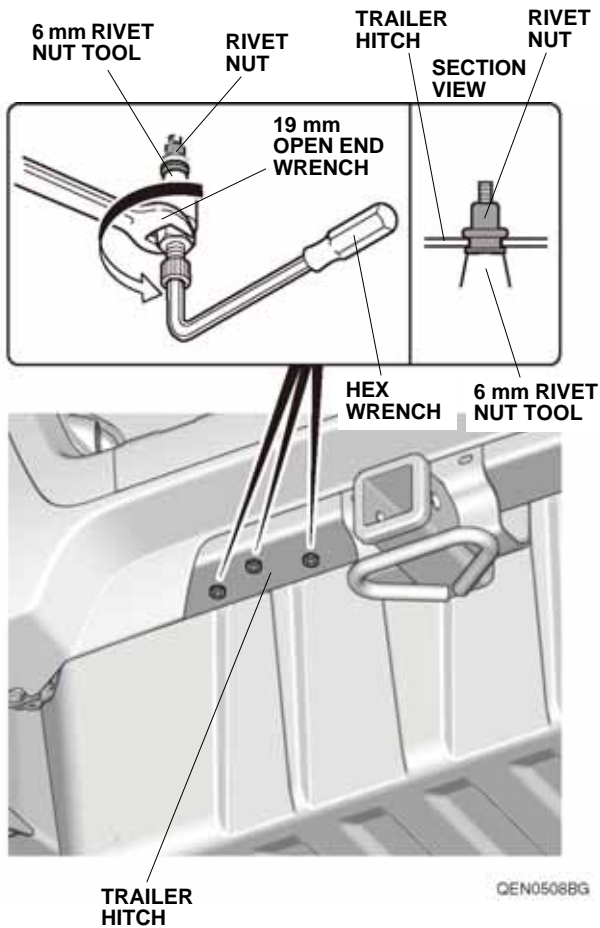
21. Thread the rivet nut onto the mandrel of the 6 mm rivet nut tool as shown.



22. Insert the rivet nut into the hole in the trailer hitch and insert the hex wrench in the 6 mm rivet nut tool. NOTE: Rivet nut may be a tight fit into the vehicle hole. If they do not slide in easily, use a hammer to tap them into place.

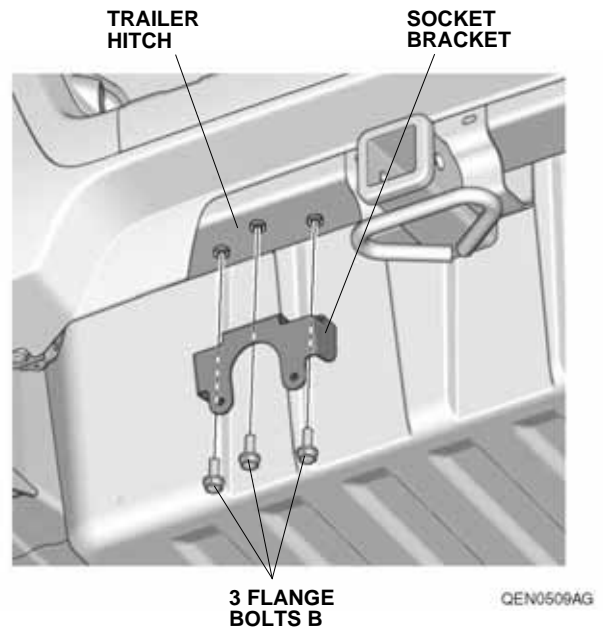


23. While holding the 6 mm rivet nut tool with the hex wrench, turn the 19 mm open end wrench counterclockwise and install the rivet nut to the trailer hitch.

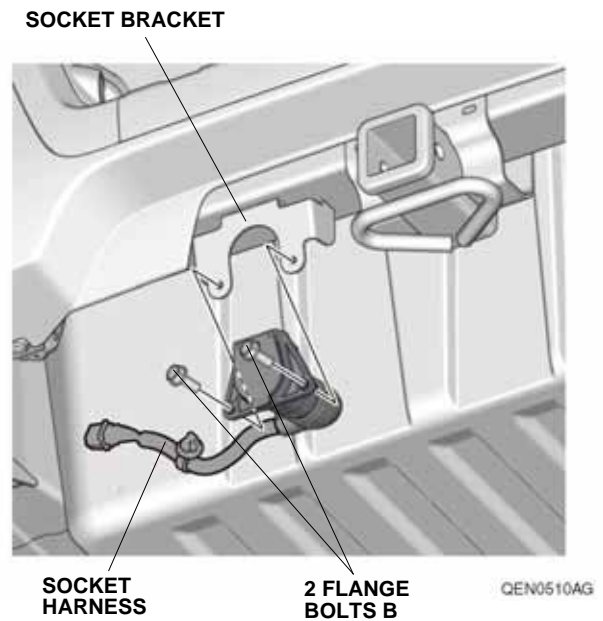


24. Remove the 6 mm rivet nut tool from the rivet nut by turning the hex wrench counterclockwise.  
25. Repeat steps 21 through 24 to install the remaining rivet nuts.

26. Install the socket bracket to the trailer hitch with the three flange bolts B.

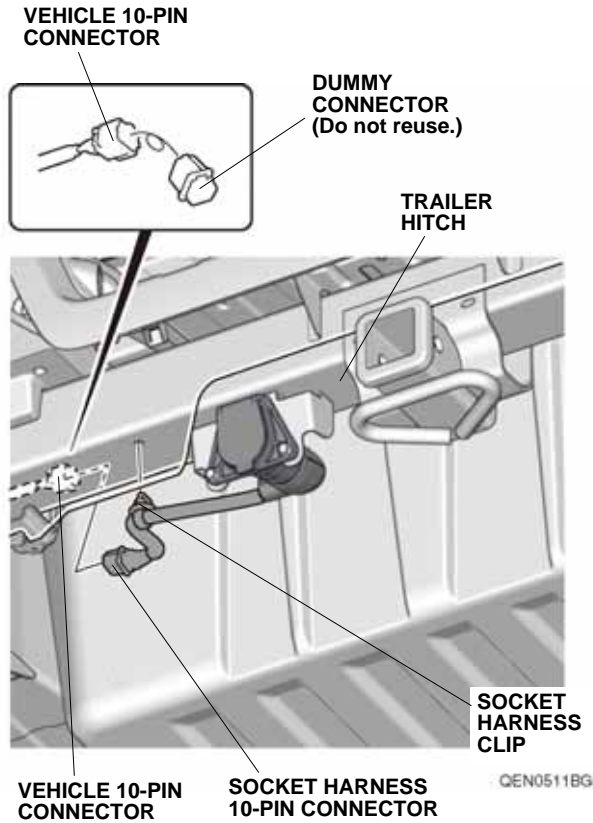


27. Install the socket harness to the socket bracket with the two flange bolts B.

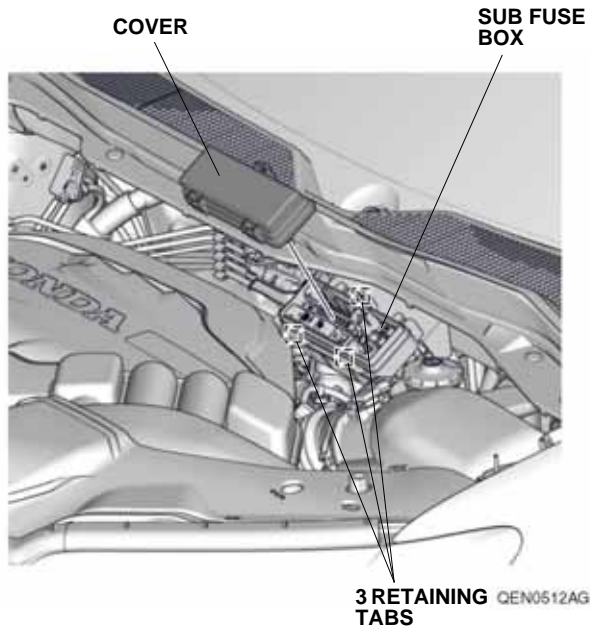




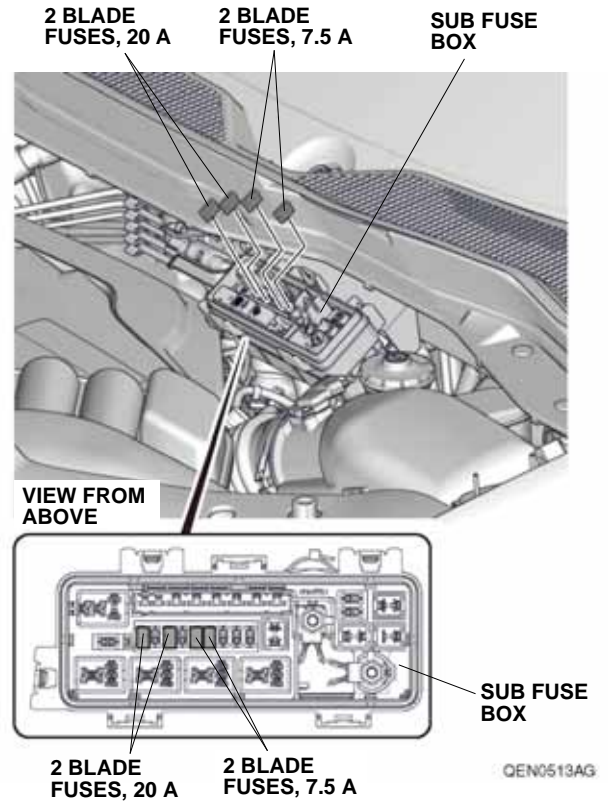
28. Remove the dummy connector from the vehicle 10-pin connector. Plug the socket harness 10-pin connector into the vehicle 10-pin connector.



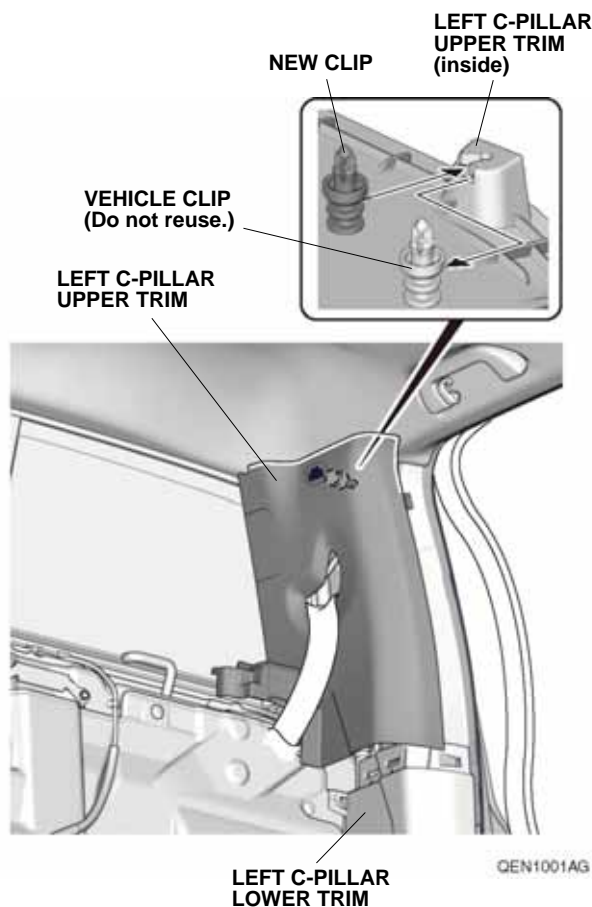
29. Secure the socket harness to the trailer hitch with one clip on the socket harness.
30. In the engine compartment, remove the cover from the sub fuse box.



31. Plug the two 7.5 A blade fuses and the two 20 A blade fuses into the sub fuse box.



32. Install the left C-pillar lower trim. Remove the vehicle clip, and install the new clip into the left C-pillar upper trim.



33. Check the overlap between the headliner and the left C-pillar upper trim.  
NOTE: Check and adjust the overlap as described in the service information.
34. Install the left C-pillar upper trim.  
NOTE: Make sure the side curtain airbag is not tucked under the clip. Do not push the left C-pillar upper trim excessively.

35. Check that all wire harnesses are routed properly and all connectors are plugged in.
36. Install all removed parts except for the front bulkhead cover and the intake tube.
37. Connect the negative cable to the battery.
38. Install the front bulkhead cover and the intake air tube.
39. Press and hold the audio unit power button for 2 seconds to restore the audio and navi (if equipped) system functions.
40. Set the clock on vehicles without navigation.
41. Restore the systems back to normal operation as described in the service information if necessary.

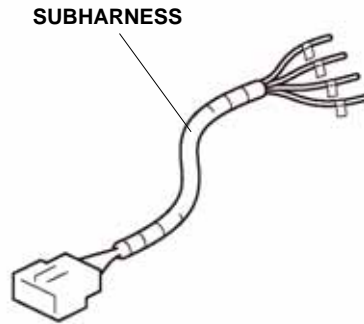
## Check the Operation of the Trailer Harness

42. Refer to the "TRAILER HARNESS TESTER", and perform the "Trailer Harness Circuit Check."

Give a copy of this page to your customer

## How to Use the Subharness

This subharness is designed for use with the installation of an electric brake controller. Refer to the vehicle's owner's manual for the detailed information about handling this subharness.



QBN0730AH