



## INSTALLATION INSTRUCTIONS

Accessory  
DOOR VISORS  
P/N 08R04-T6Z-100

Application  
2019 RIDGELINE

Publications No.  
**VERSION 1**  
Issue Date  
**FEB 2018**

### PARTS LIST

Left front door visor



Right front door visor



Left rear door visor



Right rear door visor



8 Brackets A



2 Brackets B



4 Alcohol swabs



10 Clips



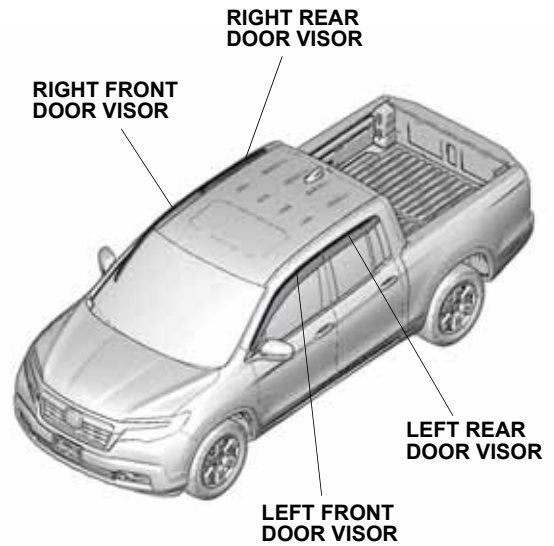
### TOOLS AND SUPPLIES REQUIRED

Masking tape

Ruler

Soft towel

### Illustration of the Door Visors on the Vehicle



QE01901BN

## INSTALLATION

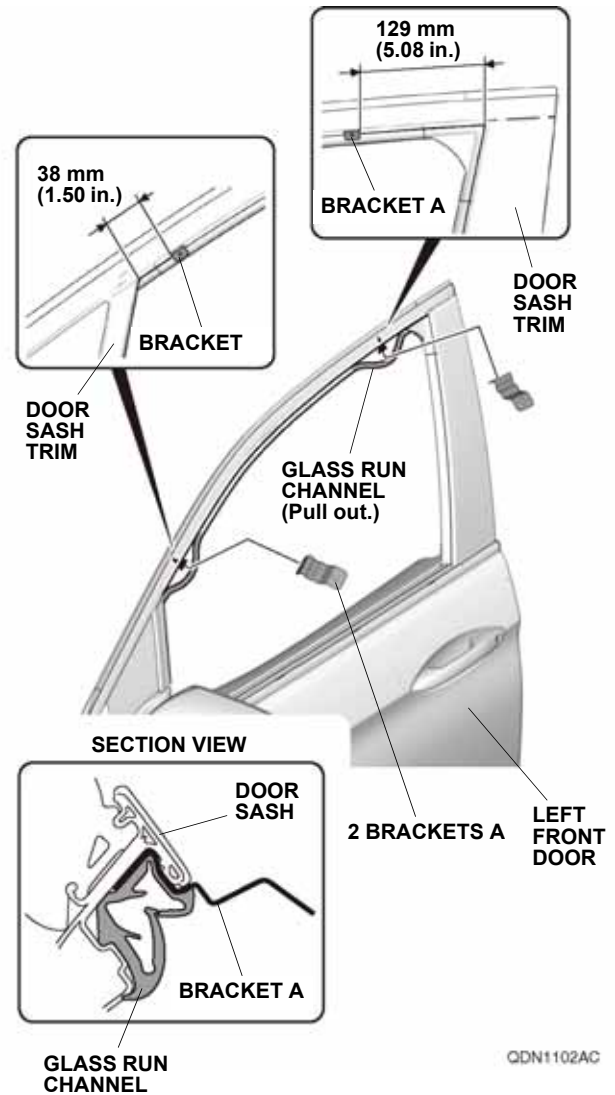
**Customer Information:** The information in this installation instruction is intended for use only by skilled technicians who have the proper tools, equipment, and training to correctly and safely add equipment to your vehicle. These procedures should not be attempted by “do-it-yourselfers.”

### NOTE:

- Be careful not to damage the body paint finish and glass run channels when installing the door visors.
- Handle the door visors with care. They are not designed to absorb shock or impact.
- This kit should be installed only if the ambient air temperature is 15° C (60° F) or above.
- To allow the adhesive to cure, do not wash the vehicle for 24 hours. Make sure your customer is aware of this.

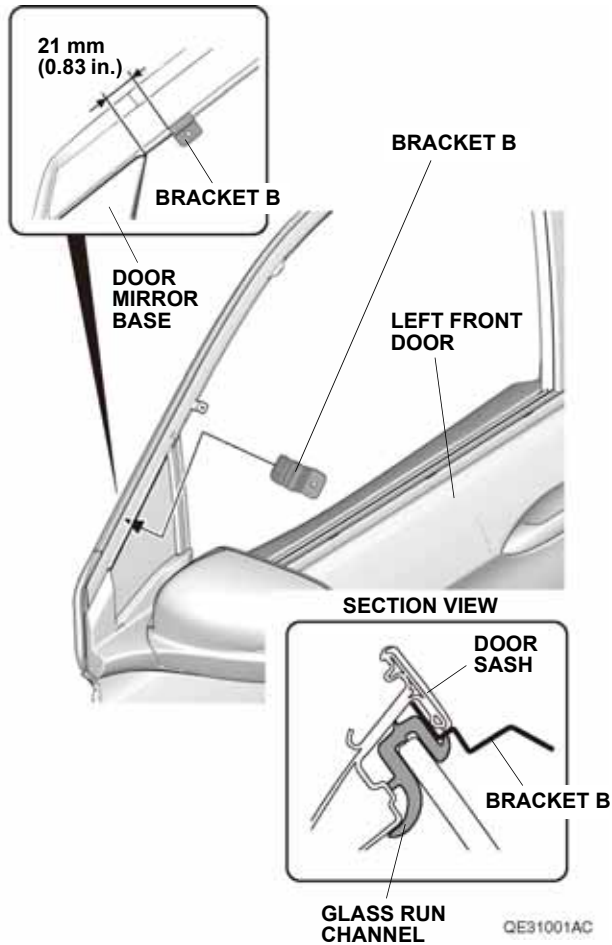
### Installing the Front Door Visor

1. Fully lower the left front door glass.

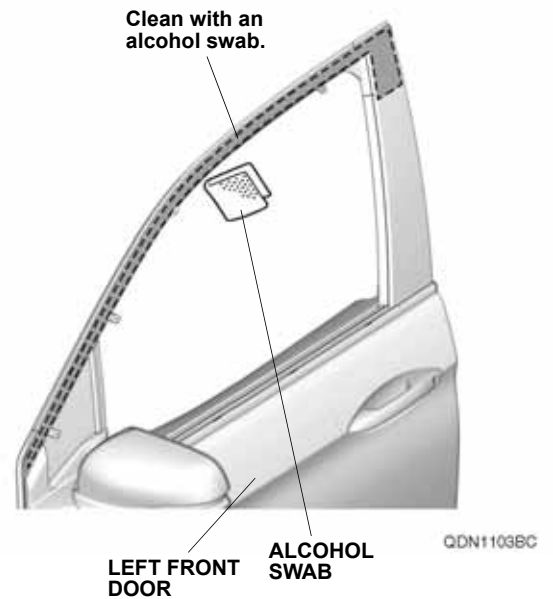


2. Pull out the glass run channel as shown.
3. Install two brackets A between the door sash and the glass run channel as shown. Then, seat the glass run channel properly around the brackets.

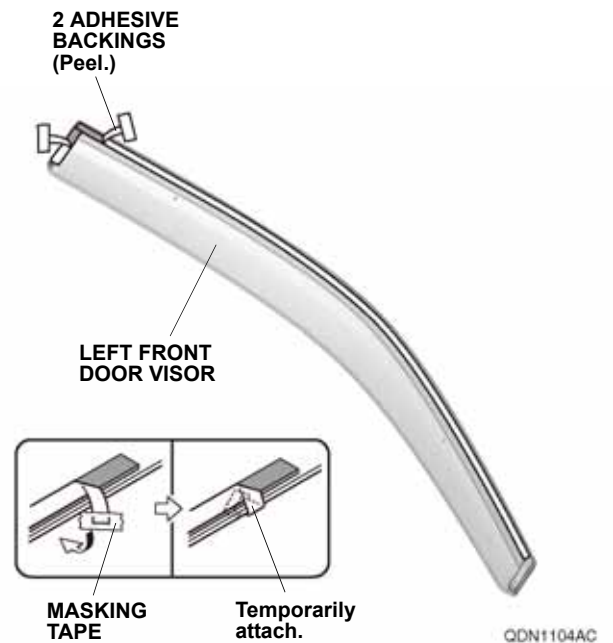
4. Install one bracket B to the door sash as shown.



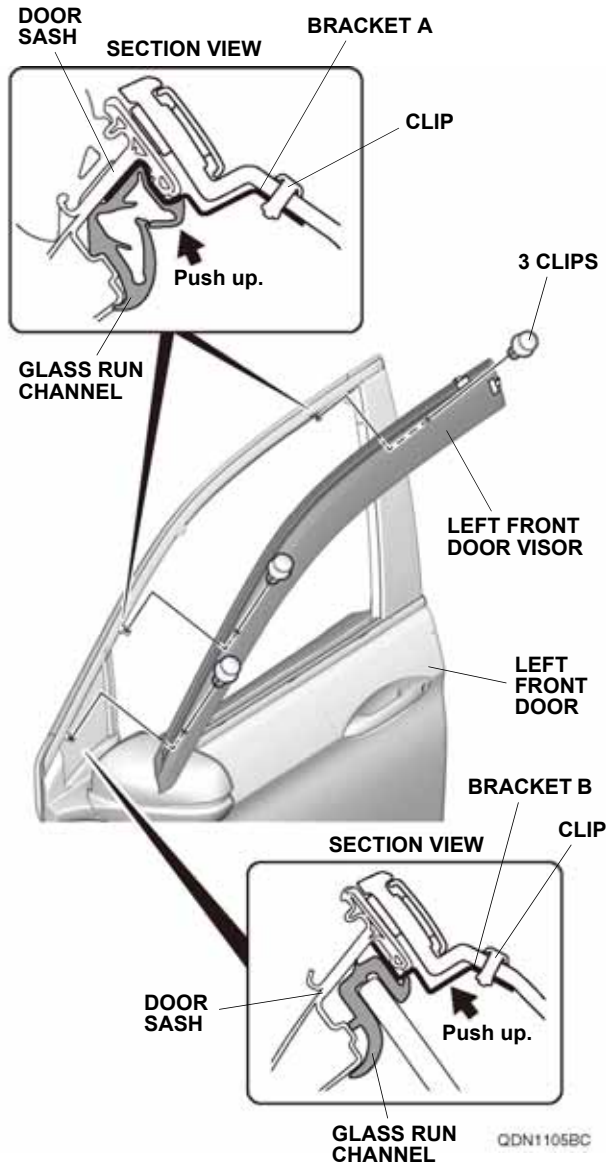
5. Use one alcohol swab to thoroughly clean the area where the left front door visor will attach.



6. Attach a piece of masking tape to the end of the adhesive backings as shown. Peel back the adhesive backings partway and temporarily attach them to the front surface of the left front door visor.



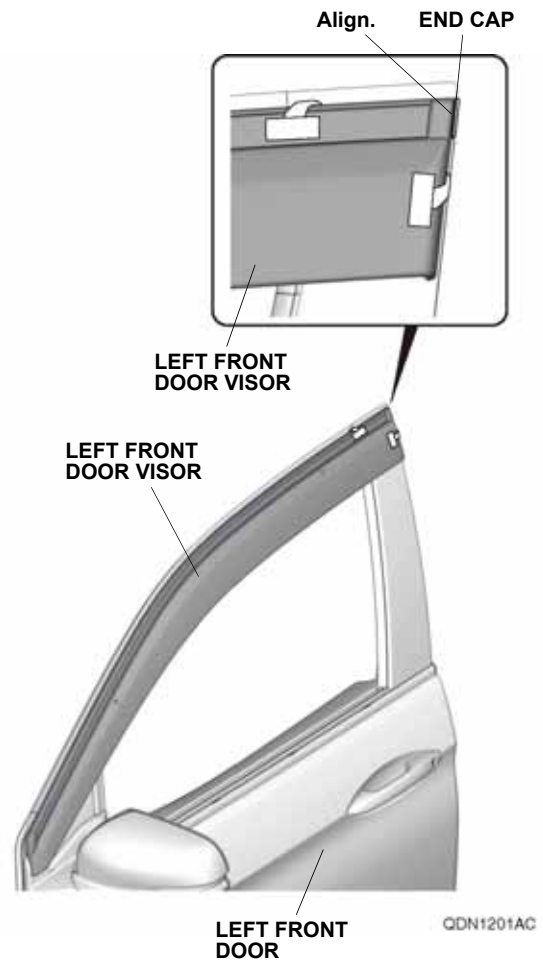
7. Line up the two brackets A and one bracket B so the holes line up with the three holes on the left front door visor.



8. Secure the left front door visor to two brackets A and one bracket B with three clips. Make sure to push up on the two brackets A and one bracket B while installing the three clips.

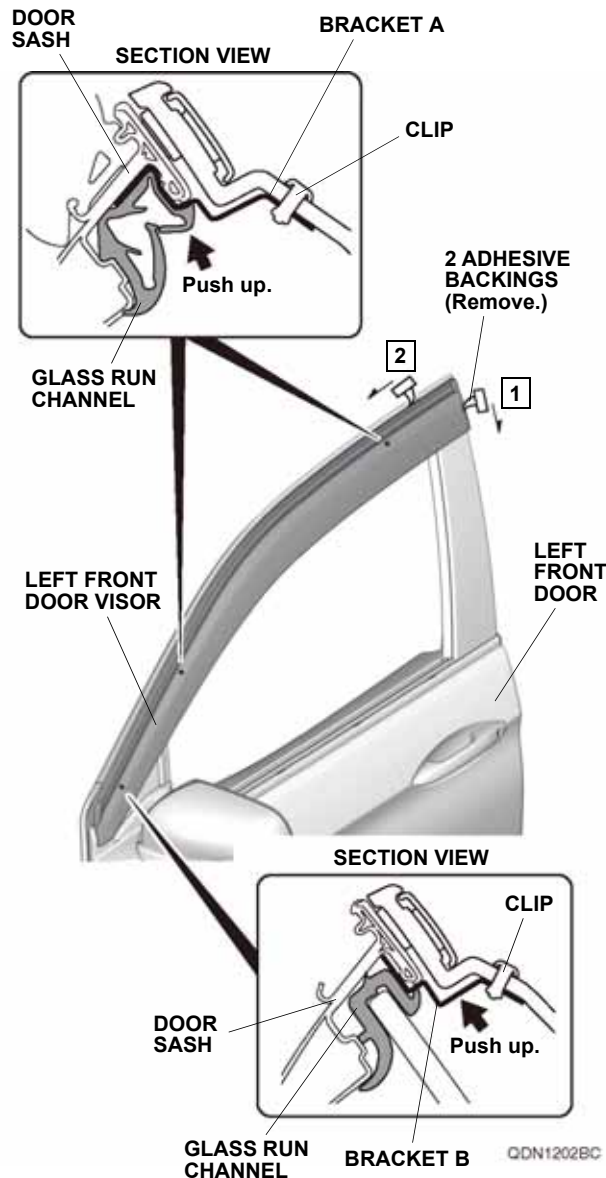
**NOTE:** Be extremely careful when installing the clips; they cannot be reinstalled if removed.

9. Adjust the position of the left front door visor as shown.



- While applying light pressure against the left front door visor, carefully remove the adhesive backings in the order shown. Make sure to push up on the brackets while removing the adhesive backings.

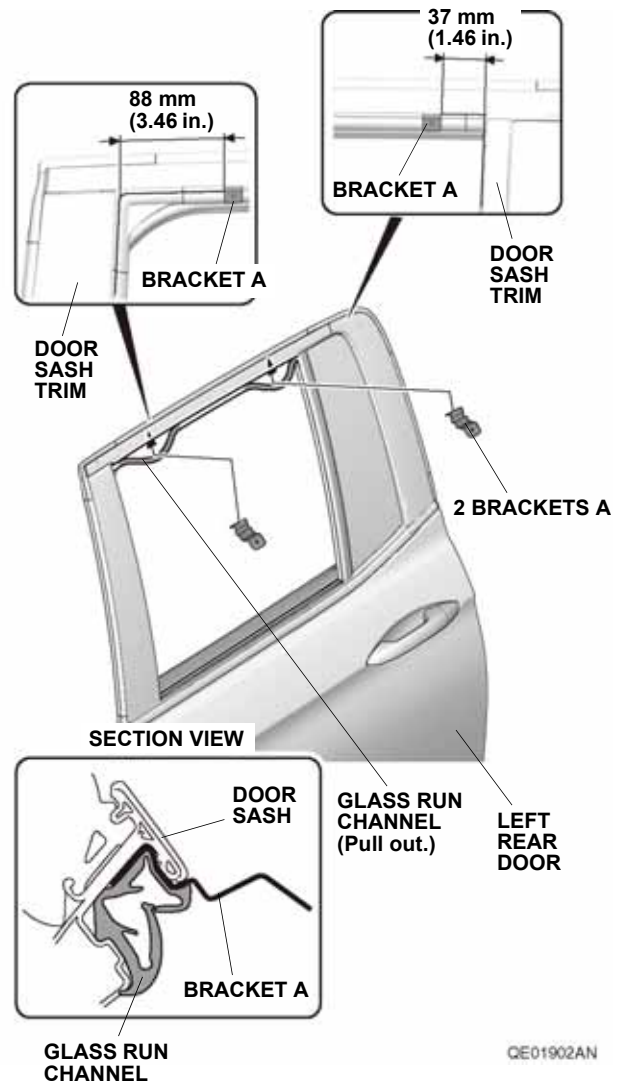
NOTE: While removing the long top adhesive backing, make sure the left front door visor is positioned so the top edge of the vehicle chrome is hidden by the left front door visor.



- Using a soft towel, press and hold the left front door visor against the door sash for 30 seconds.

## Installing the Rear Door Visor

- Fully lower the left rear door glass.

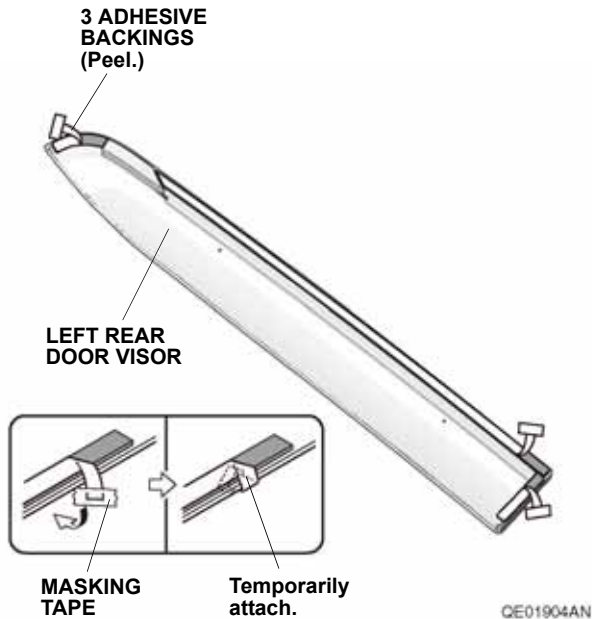


- Pull out the glass run channel as shown.
- Install two brackets A between the door sash and the glass run channel as shown. Then, seat the glass run channel properly around the brackets.

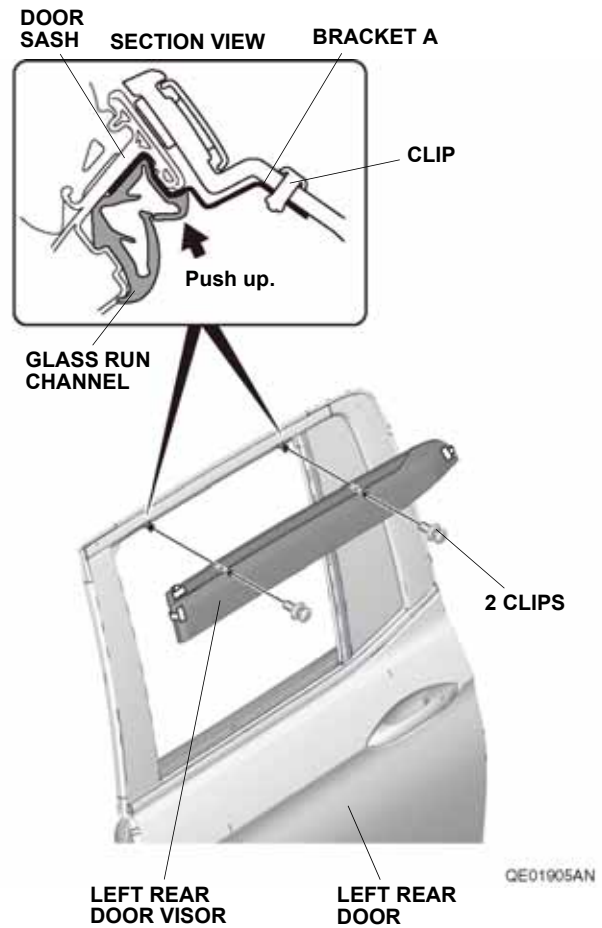
15. Use one alcohol swab to thoroughly clean the area where the left rear door visor will attach.



16. Attach a piece of masking tape to the end of the adhesive backings as shown. Peel back the adhesive backings partway and temporarily attach them to the front surface of the left rear door visor.



17. Adjust the two brackets A so the holes line up with the two holes on the left rear door visor.



18. Secure the left rear door visor to two brackets A with two clips. Make sure to push up on the two brackets A while installing the two clips.

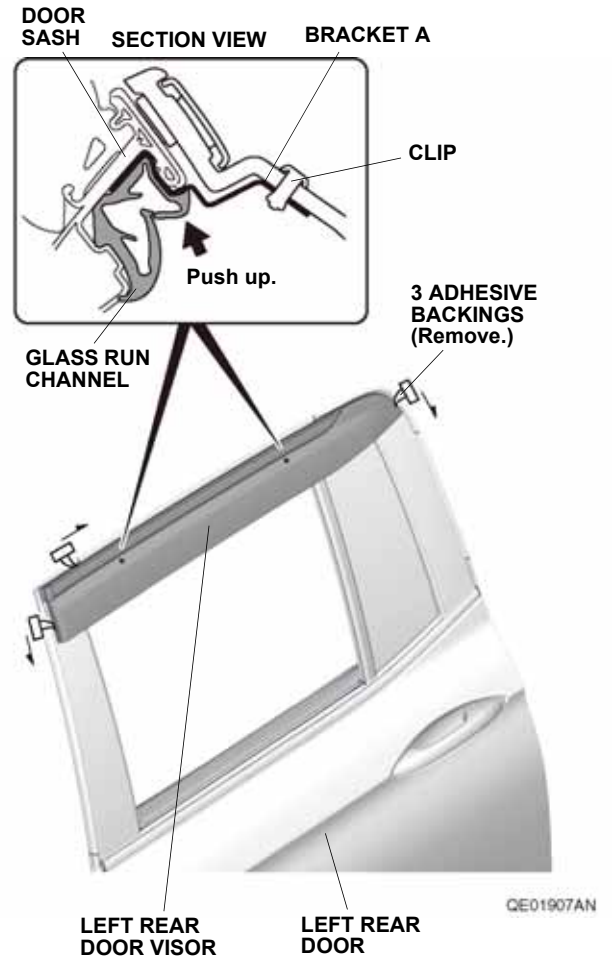
NOTE: Be extremely careful when installing the clips; they cannot be reinstalled if removed.

19. Adjust the position of the left rear door visor as shown.



20. While applying light pressure against the left rear door visor, carefully remove the adhesive backings as shown. Make sure to push up on the brackets while removing the adhesive backings.

NOTE: While removing the long top adhesive backing, make sure the left rear door visor is positioned so the top edge of vehicle chrome is hidden by the left rear door visor.



21. Using a soft towel, press and hold the left rear door visor against the door sash for 30 seconds.
22. Repeat steps 1 through 21 on the right side of the vehicle.

## CONFIRMATION AFTER INSTALLATION

### RESTORATION OPERATIONS

1. Start the engine.
2. Using the power window switch, repeat opening and closing the window from half-open to fully closed 10 times to allow the glass run channel to seat. (The window should not bind.)
3. If necessary, refer to the service information to reset the power window. (If the auto up/down feature does not work after the reset, reset again.)

NOTE: Step 3 should be done to all power windows having the auto up/down feature to ensure the auto-reverse feature works properly after installing the door visors.

### USE AND CARE

- When the door visor is dirty, clean it with a soft cloth dampened with water.
- When the door visor is very dirty, clean the door visors with mild detergent and water. Do not use organic solvents (thinners, benzine, alcohol, etc.) or cleaners containing any abrasive material.