



## INSTALLATION INSTRUCTIONS

Accessory  
CROSSBARS  
P/N 08L04-T6Z-100

Application  
2018 RIDGELINE

Publications No.  
**VERSION 1**  
Issue Date  
**JUL 2017**

### PARTS LIST

2 Crossbars



2 TORX screws



Accessory user's information manual



### TOOLS AND SUPPLIES REQUIRED

Ratchet

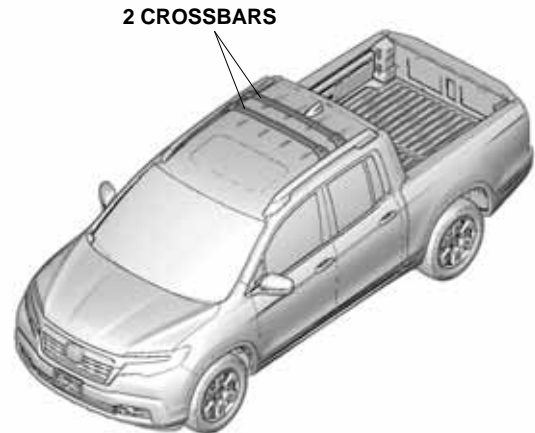
Torque wrench

T-15 and T-20 TORX bits

*The following tool is available through the Honda Tool and Equipment Program. On the iN, click on: Service > Service Bay > Tool and Equipment Program, then enter the number under "Search." Or, call 888-424-6857.*

Plastic Trim Tool (T/N SILTRIMTL10)

### Illustration of the Crossbars on the Vehicle



QE02901BN

### INSTALLATION

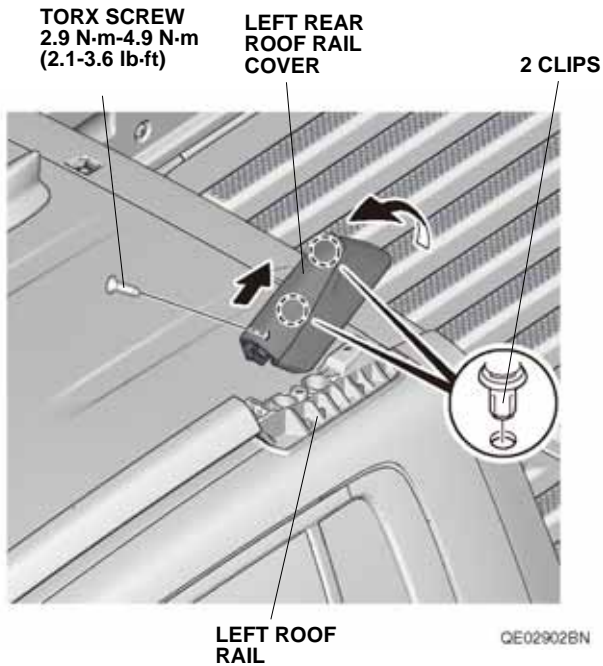
**Customer Information:** The information in this installation instruction is intended for use only by skilled technicians who have the proper tools, equipment, and training to correctly and safely add equipment to your vehicle. These procedures should not be attempted by "do-it-yourselfers."

#### NOTE:

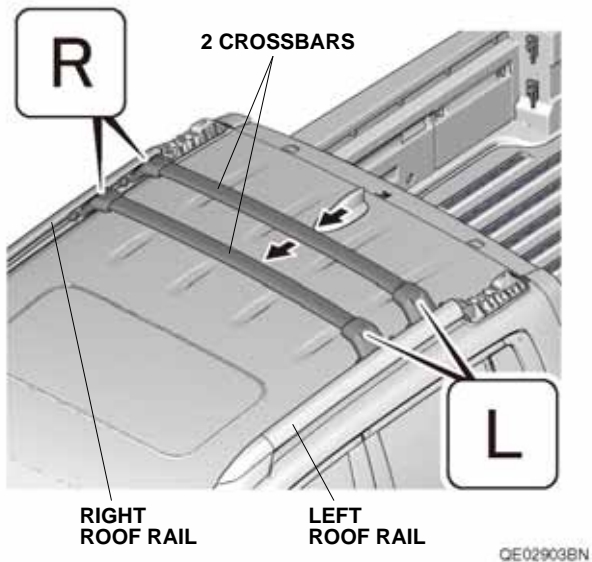
- Cargo must not exceed the maximum weight capacity of 165 lbs (75 kg).
- Clean the roof rails before installing the crossbars.
- Do not damage the roof and other finished surfaces when installing the crossbars.
- Leave a copy of these installation instructions in the vehicle.

## Installing the Crossbars

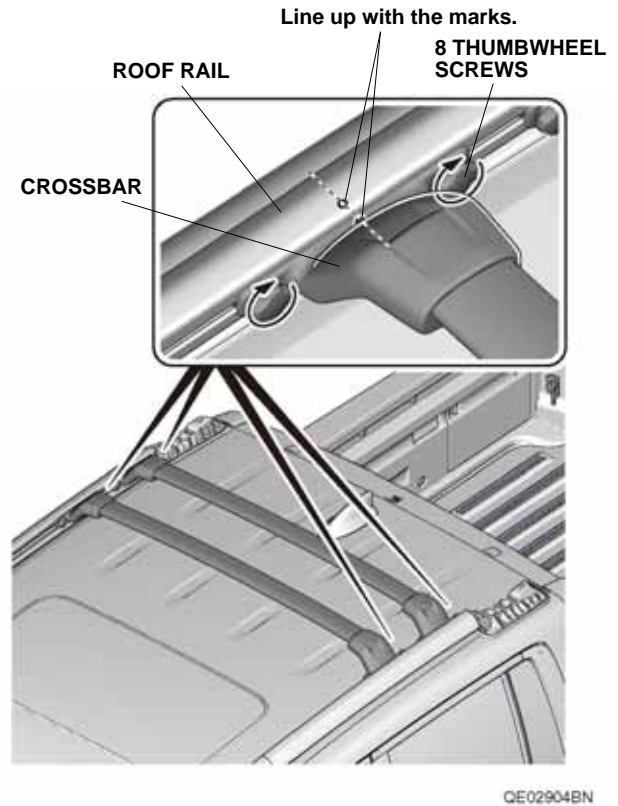
1. Remove the TORX screw from the left rear roof rail cover.



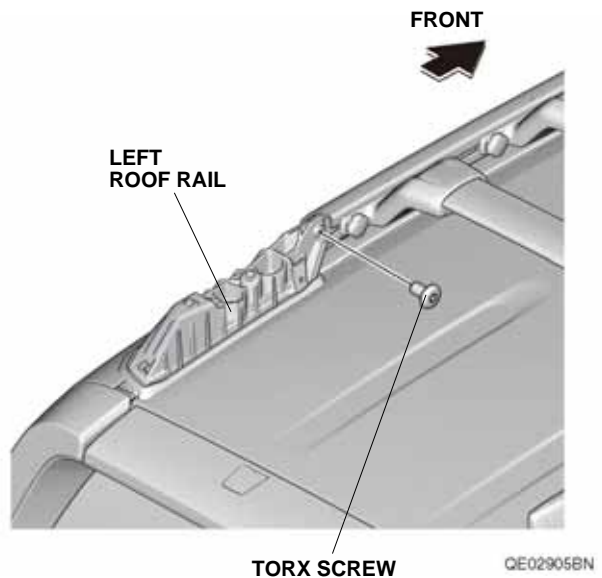
2. Using a plastic trim tool, remove the left rear roof rail cover.
3. Repeat steps 1 and 2 on the other side.
4. Slide the crossbars into the roof rails. Make sure they are inserted in the correct position and direction.



5. Line up the marks on the crossbars with the marks on the roof rails as shown. Tighten the eight thumbwheel screws to secure the crossbars to the roof rails.



6. Install one TORX screw into the left roof rail and tighten it securely. Repeat on the other side.



7. Install the roof rail covers. Make sure they are securely snapped in place.

## USE AND CARE

- Check the crossbar mounting screws frequently and retighten if necessary.
- Distribute the weight of the cargo evenly and do not exceed the maximum weight capacity of 165 lbs (75 kg).