



## INSTALLATION INSTRUCTIONS

Accessory  
DOOR EDGE FILMS  
P/N 08P20-T6Z-100

Application  
2017 RIDGELINE

Publications No.  
**VERSION 1**  
Issue Date  
**MAY 2016**

### PARTS LIST

Left front door edge film  
(marked FR-L)



Right front door edge film  
(marked FR-R)



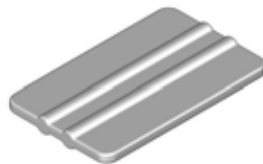
Left rear door edge film  
(marked RR-L)



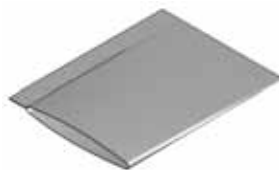
Right rear door edge film  
(marked RR-R)



Applicator



Soft sleeve



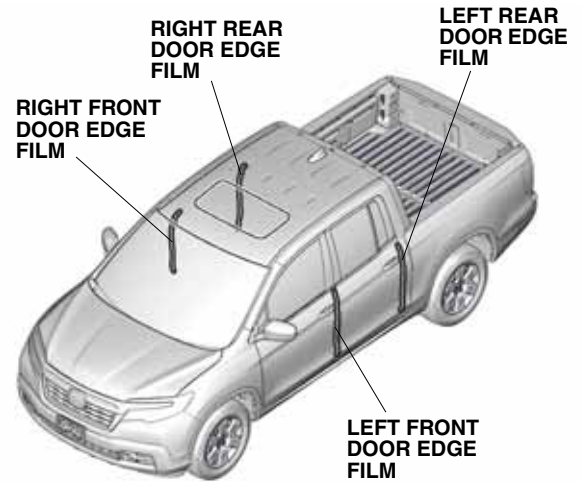
2 Alcohol swabs



### TOOLS AND SUPPLIES REQUIRED

- Shop towel
- Spray bottle
- 3M Protective tape application solution
- Ruler
- Scissors
- Masking tape

### Illustration of the Door Edge Films on the Vehicle



QE02801BN

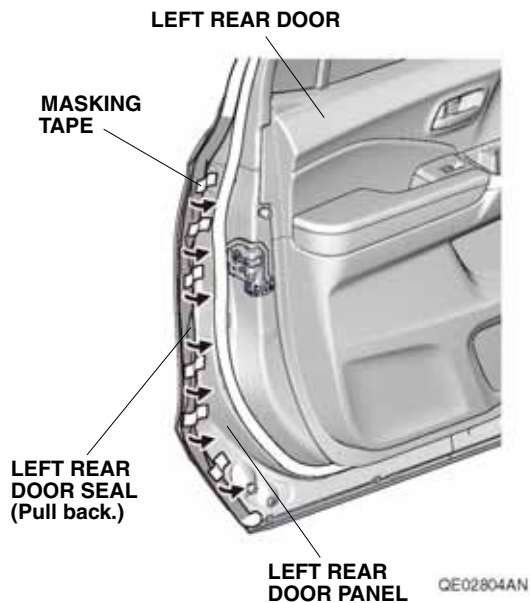
## INSTALLATION

**Customer Information:** The information in this installation instruction is intended for use only by skilled technicians who have the proper tools, equipment, and training to correctly and safely add equipment to your vehicle. These procedures should not be attempted by “do-it-yourselfers.”

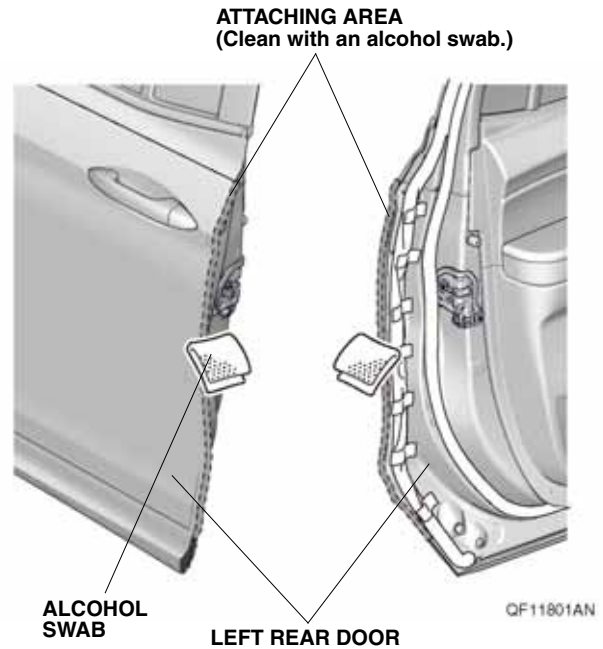
### NOTE:

- If you are also installing body side moldings (sold separately), install them before you install the door edge films.
- These installation instructions show the left door edge films being installed. The same procedure applies to installing the right door edge films.
- Identify each door edge film by referring to the identification marks.
- Be careful not to damage the body paint finish.
- This kit should be installed only if the ambient air temperature is 15° C (60° F) or above.
- To allow the adhesive to cure, do not wash the vehicle for 24 hours. Make sure your customer is aware of this.

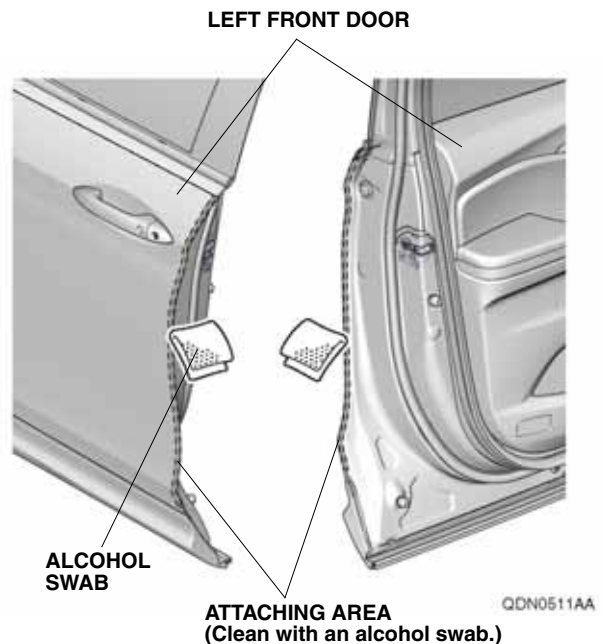
1. Open the left rear door. Pull back the left rear door seal and secure it to the door panel with masking tape as shown.



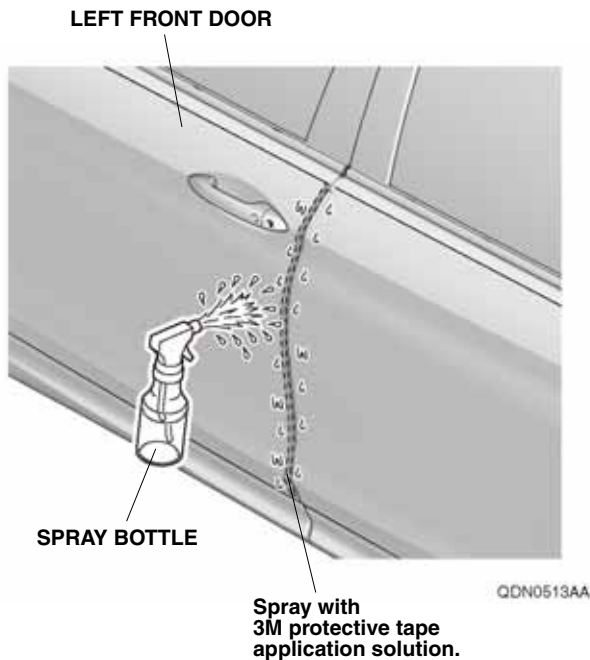
2. Using the alcohol swab, thoroughly clean the area where the left rear door edge film will attach.



3. Open the left front door. Using the alcohol swab, thoroughly clean the area where the left front door edge film will attach.

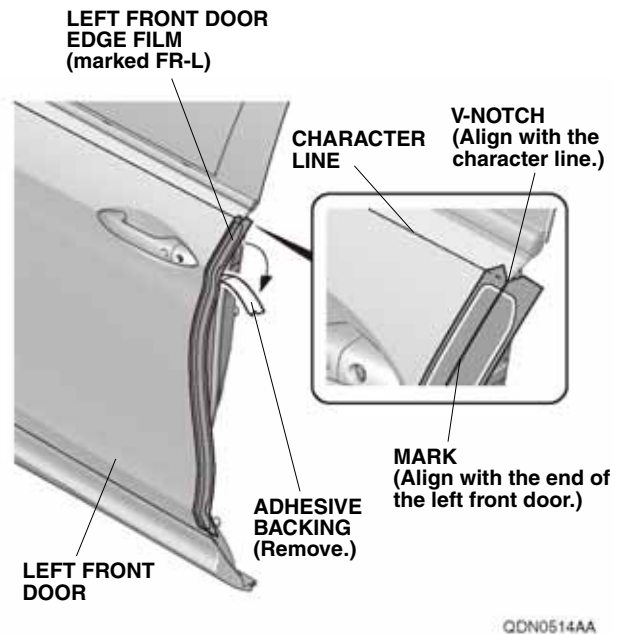


4. Close the left front and rear doors. Using a spray bottle with 3M protective tape application solution, spray the area where the left front door edge film will attach.  
NOTE: Spray the outer surface of the door only.



If the vehicle is equipped with the body side moldings, go to step 7; otherwise, continue with step 5.

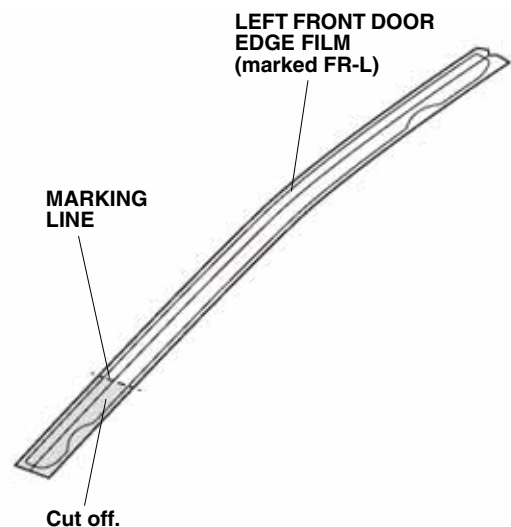
5. Open the left front door again. Peel back about 50 mm (1.97 in.) of adhesive backing from the left front door edge film. Align the V-notch in the left front door edge film with the character line of the left front door.



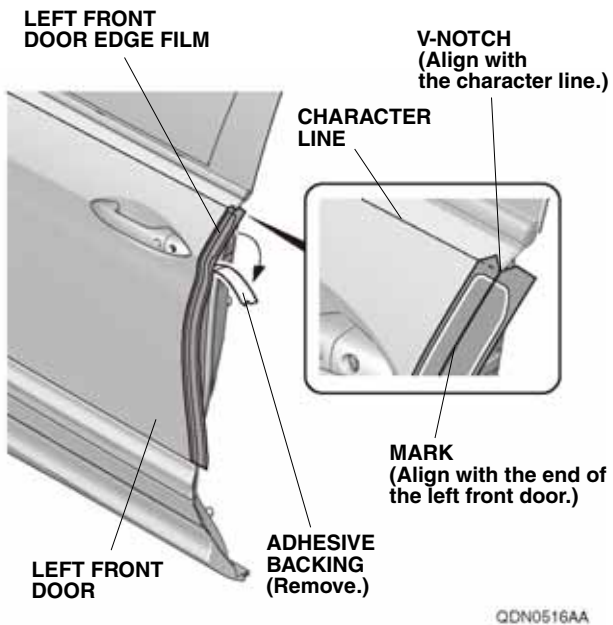
6. Align the mark on the left front door edge film with the end of the left front door. While applying light pressure, carefully remove the adhesive backing. Go to step 10.

## With Body Side Moldings

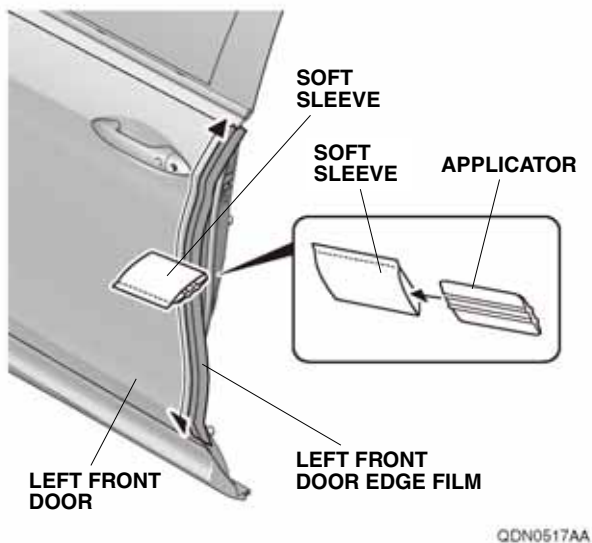
7. Using scissors, cut off the left front door edge film as shown.



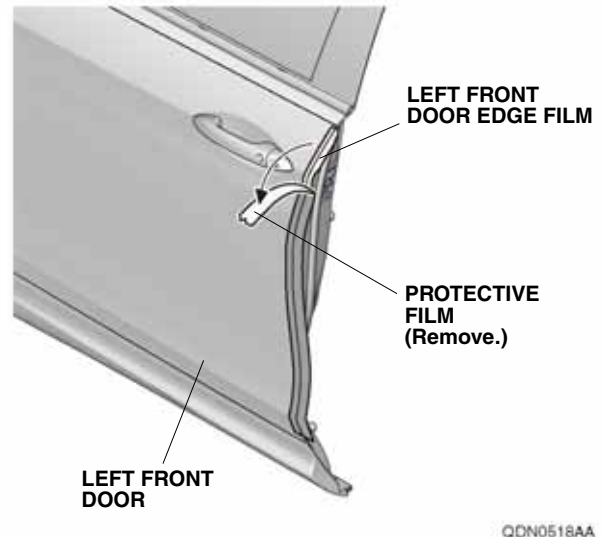
8. Open the left front door again. Peel back about 50 mm (1.97 in.) of adhesive backing from the left front door edge film. Align the V-notch in the left front door edge film with the character line of the left front door.



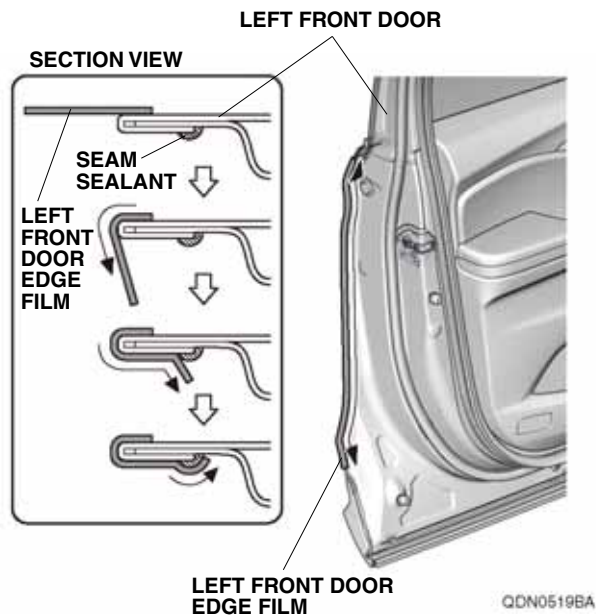
9. Align the mark on the left front door edge film with the end of the left front door. While applying light pressure, carefully remove the adhesive backing.
10. Insert the applicator into the soft sleeve. Starting from the center and working outward, use the soft sleeve to smooth the left front door edge film. Move the soft sleeve in one direction only.



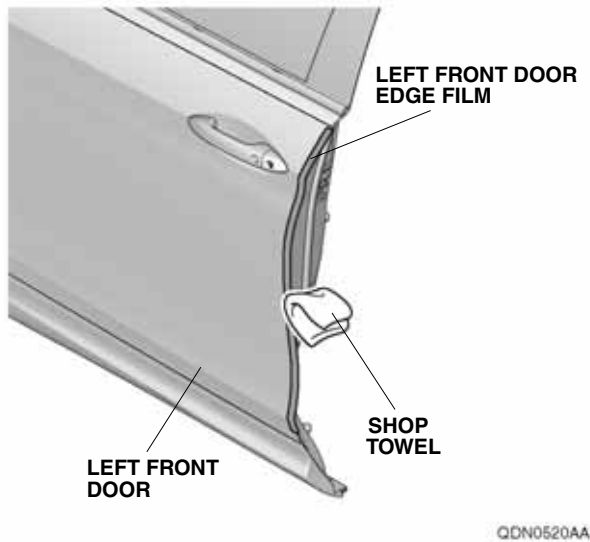
11. Slowly remove the protective film from the left front door edge film.



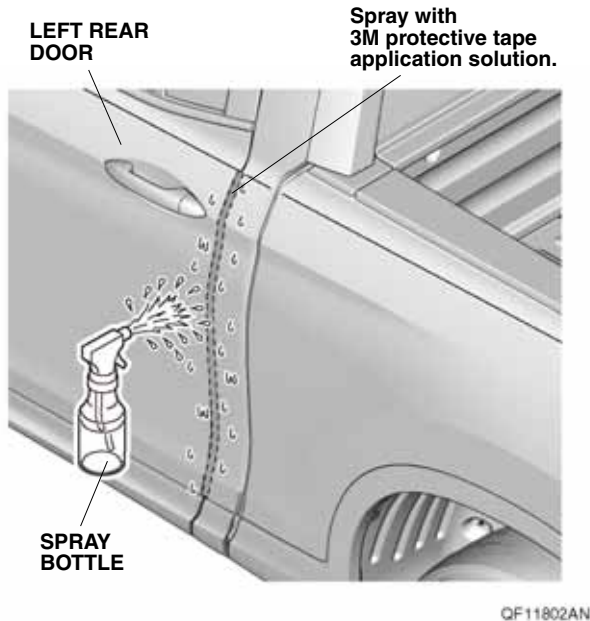
12. Starting from the center and working outward, use your fingers to fold the left front door edge film around the edge of the left front door. Move your fingers in one direction. Attach the left front door edge film over the seam sealant. Do not trim or damage the seam sealant.



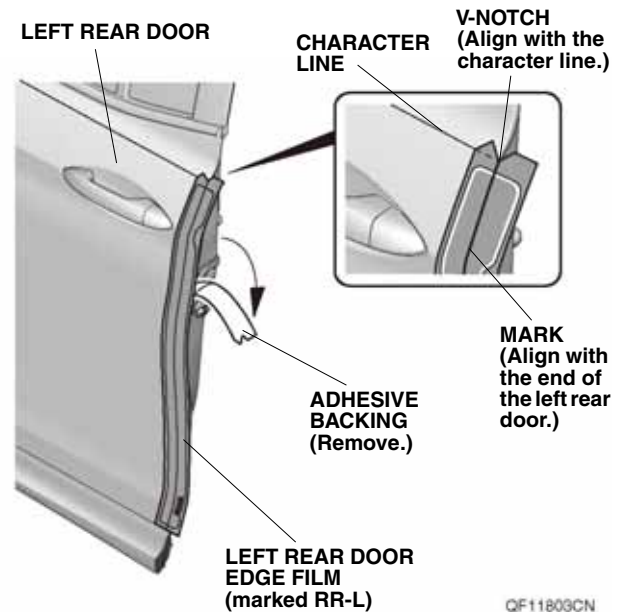
13. Using a shop towel, wipe the 3M protective tape application solution from the left front door edge film. Allow the left front door edge film to dry thoroughly.



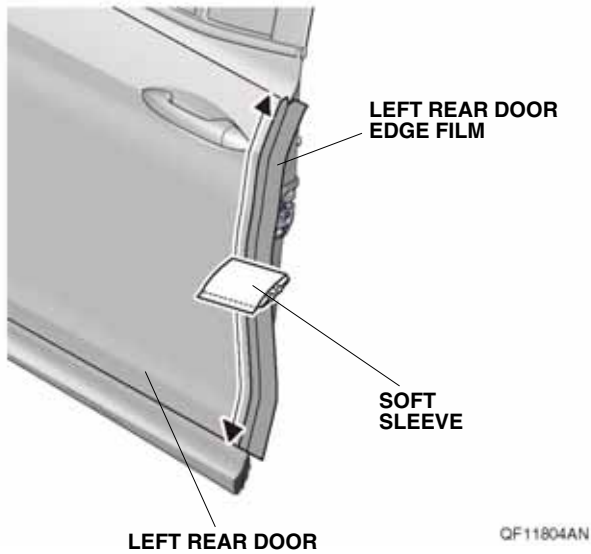
14. Using a spray bottle with 3M protective tape application solution, spray the area where the left rear door edge film will attach. NOTE: Spray the outer surface of the door only.



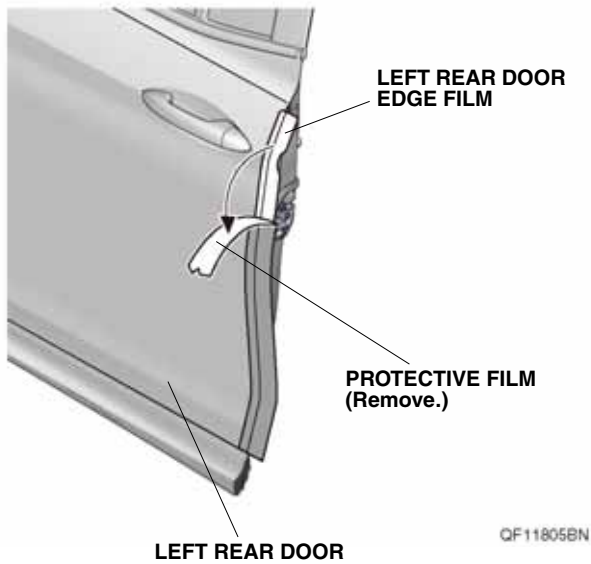
15. Open the left rear door again. Peel back about 50 mm (1.97 in.) of adhesive backing from the left rear door edge film. Align the V-notch in the left rear door edge film with the character line of the left rear door.



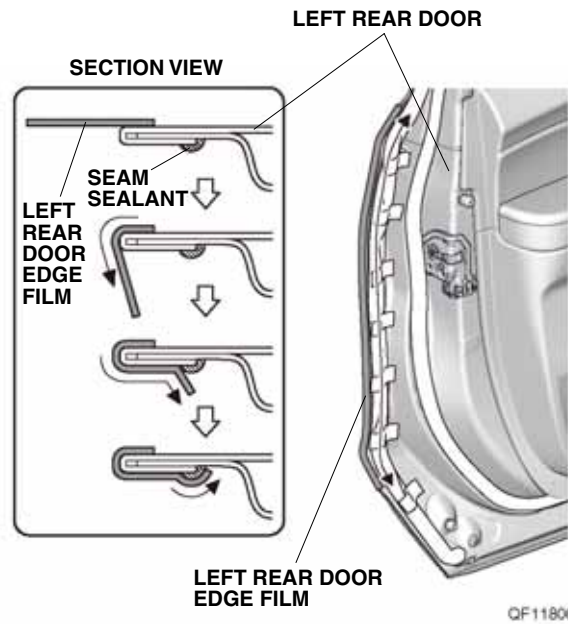
16. Align the mark on the left rear door edge film with the end of the left rear door. While applying light pressure, carefully remove the adhesive backing.
17. Starting from the center and working outward, use the soft sleeve to smooth the left rear door edge film. Move the soft sleeve in one direction only.



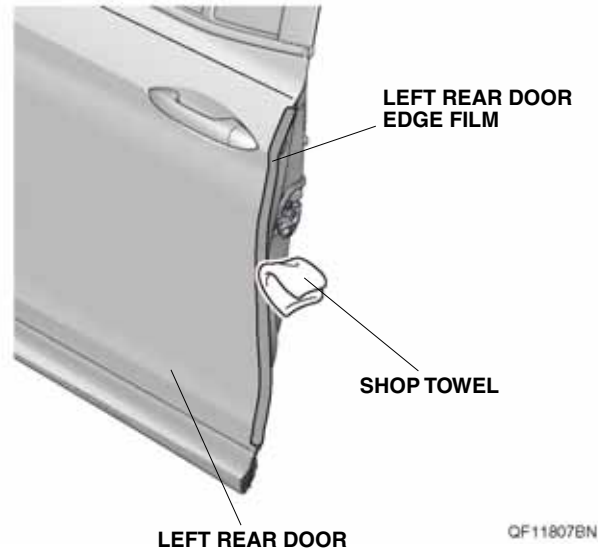
18. Slowly remove the protective film from the left rear door edge film.



19. Starting from the center and working outward, use your fingers to fold the left rear door edge film around the edge of the left rear door. Move your fingers in one direction. Attach the left rear door edge film over the seam sealant. Do not trim or damage the seam sealant.



20. Using a shop towel, wipe the 3M protective tape application solution from the left rear door edge film. Allow the left rear door edge film to dry thoroughly.



21. Remove the masking tape.
22. Repeat steps 1 through 21 to install the right door edge films on the right side of the vehicle.