



## INSTALLATION INSTRUCTIONS

Accessory  
**BODY SIDE MOLDINGS**  
 P/N 08P05-T6Z-100

Application  
**2017 RIDGELINE**

Publications No.  
**VERSION 1**  
 Issue Date  
**MAY 2016**

### PARTS LIST

Left front body side molding



Right front body side molding



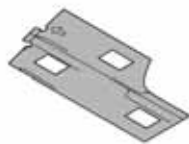
Left rear body side molding



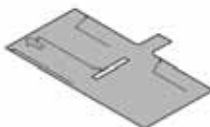
Right rear body side molding



Front template



Middle template



Rear template



4 Alcohol swabs



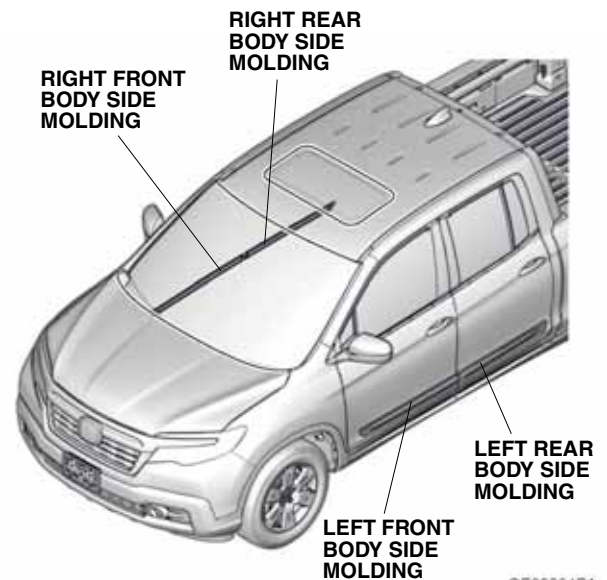
### TOOLS AND SUPPLIES REQUIRED

Masking tape

*The following tool is available through the Honda Tool and Equipment Program. On the iN, click on: Service > Service Bay > Tool and Equipment Program, then enter the number under "Search." Or, call 888-424-6857.*

Rubber Roller (T/N MHLE54D)

### Illustration of the Body Side Moldings on the Vehicle



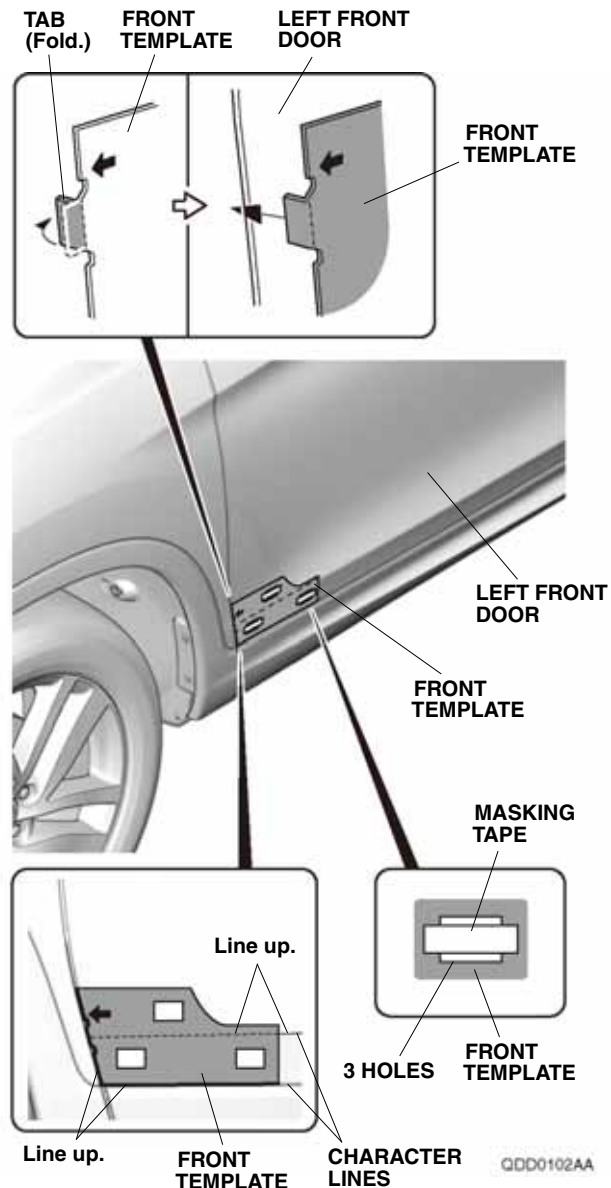
## INSTALLATION

**Customer Information:** The information in this installation instruction is intended for use only by skilled technicians who have the proper tools, equipment, and training to correctly and safely add equipment to your vehicle. These procedures should not be attempted by “do-it-yourselfers.”

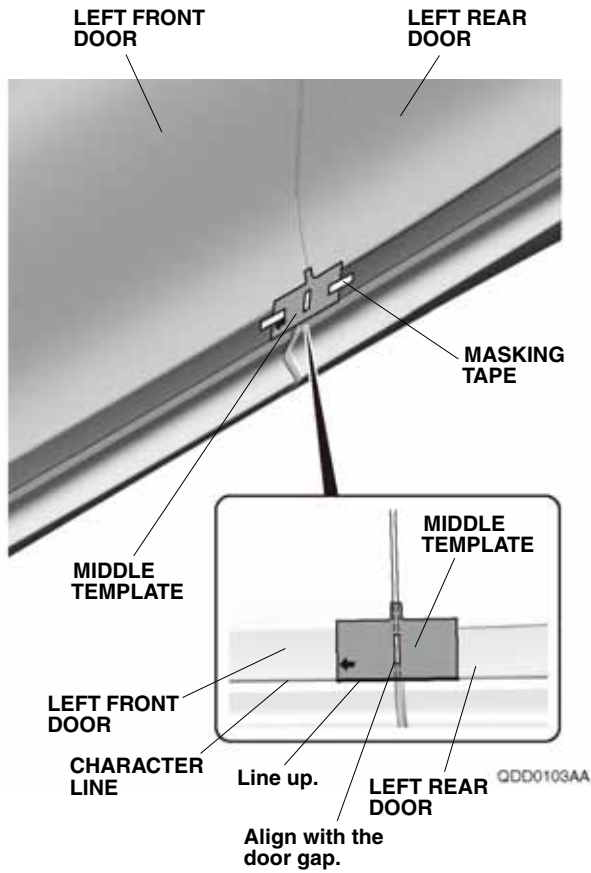
### NOTE:

- If you are also installing door edge films (sold separately) or door edge guards (sold separately), install them after you install the body side moldings.
- Do not damage the paint finish.
- This kit should be installed only if the ambient air temperature is 15° C (60° F) or above.
- To allow the adhesive to cure, do not wash the vehicle for 24 hours. Make sure your customer is aware of this.

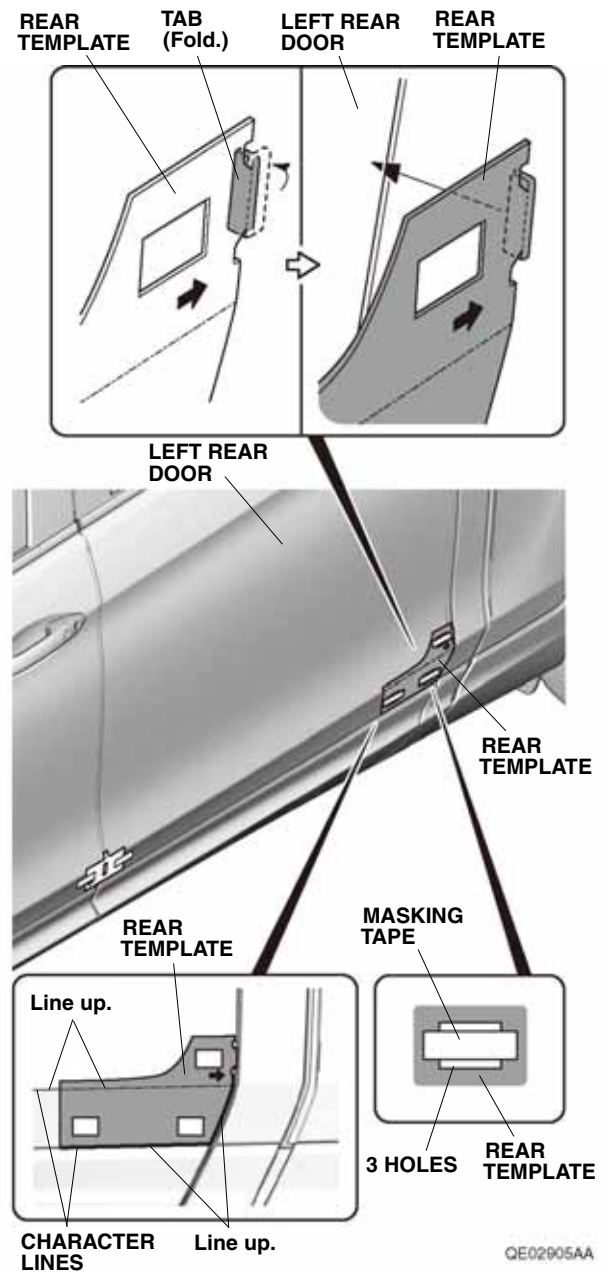
1. Fold the tab, line up the front template with the character lines, and attach it to the left front door with masking tape as shown.



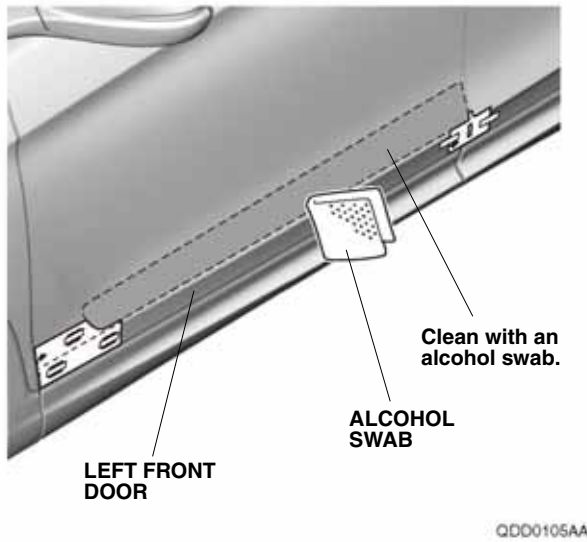
2. Line up the middle template with the character line and attach it to the left front door and left rear door with masking tape as shown.



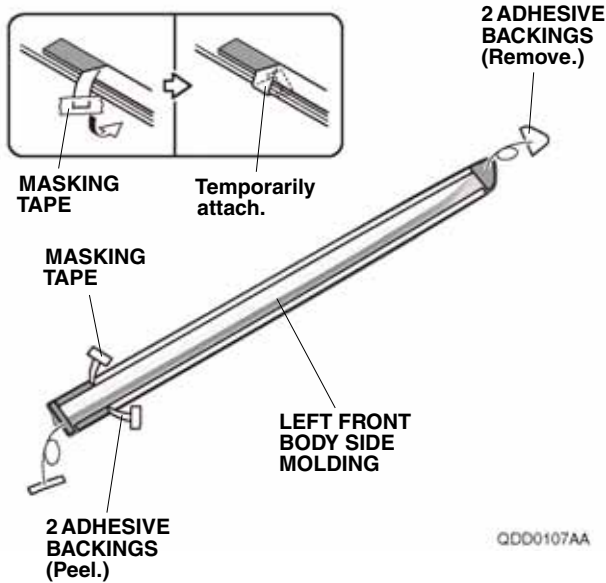
3. Fold the tab, line up the rear template with the character lines and attach it to the left rear door with masking tape as shown.



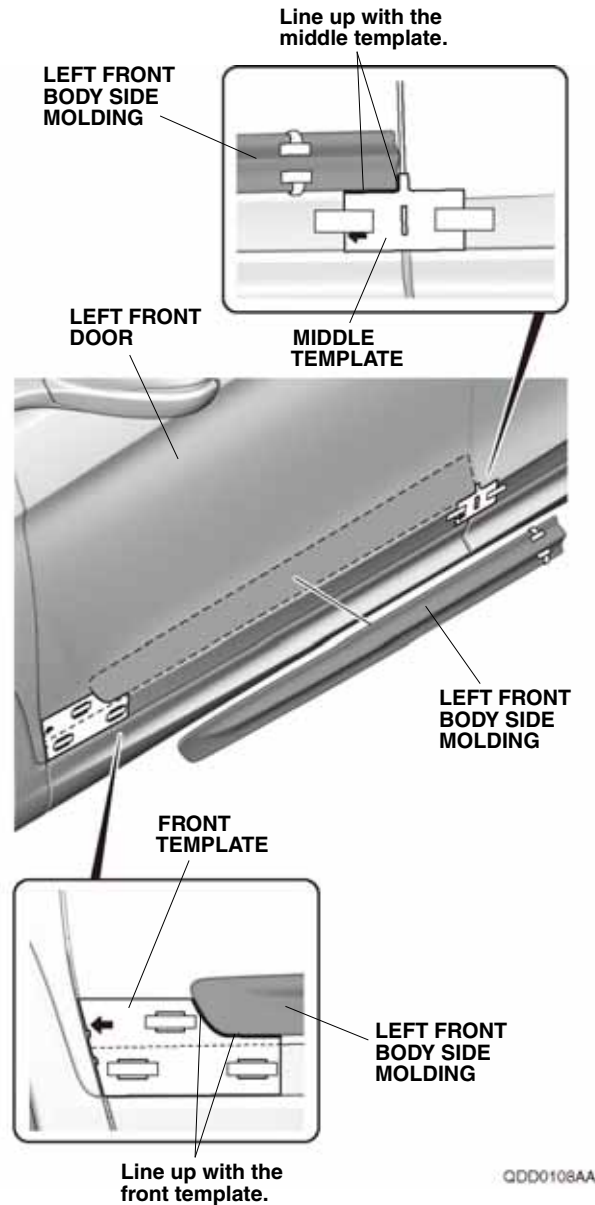
4. Using one alcohol swab, thoroughly clean the left front door where the left front body side molding will attach.



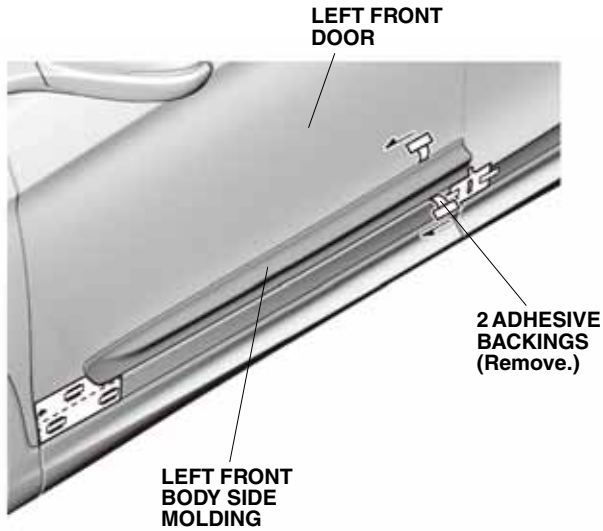
5. Peel back the adhesive backings and tape them to the front surface of the left front body side molding. Remove the remaining adhesive backings.



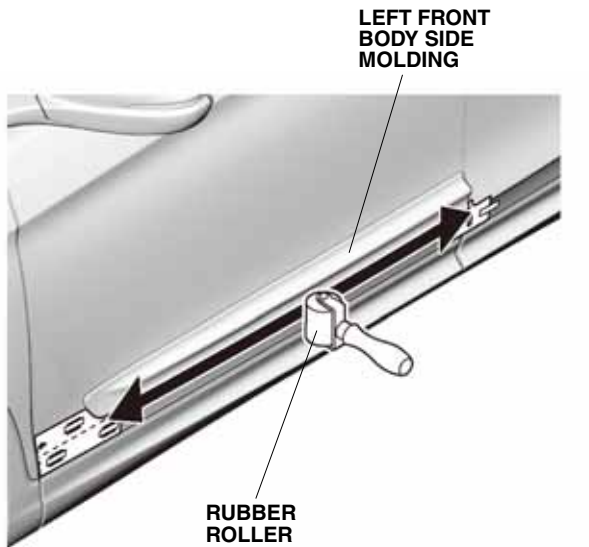
6. Line up the left front body side molding with the front and middle templates and attach it to the left front door as shown.



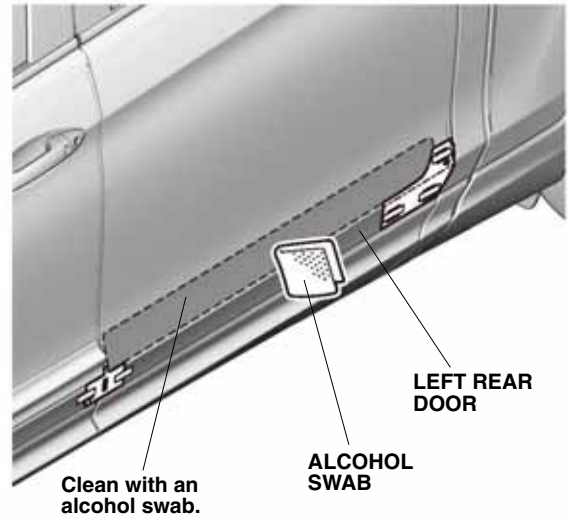
7. While applying light pressure to the left front body side molding, carefully remove the taped adhesive backings.



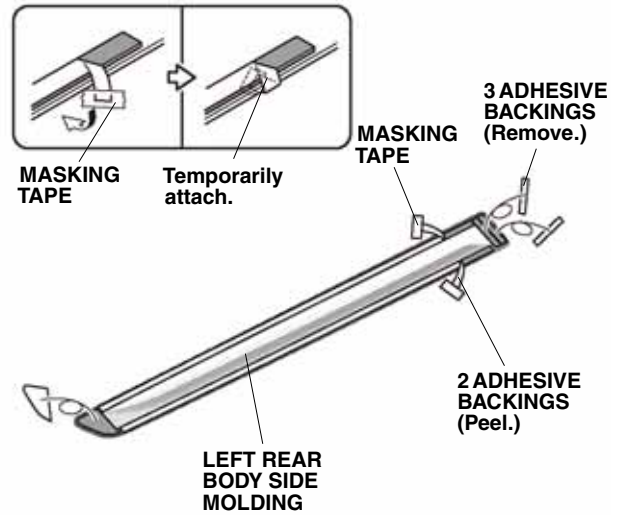
8. Using a rubber roller, apply firm pressure while rolling, especially at the ends, to set the adhesive.



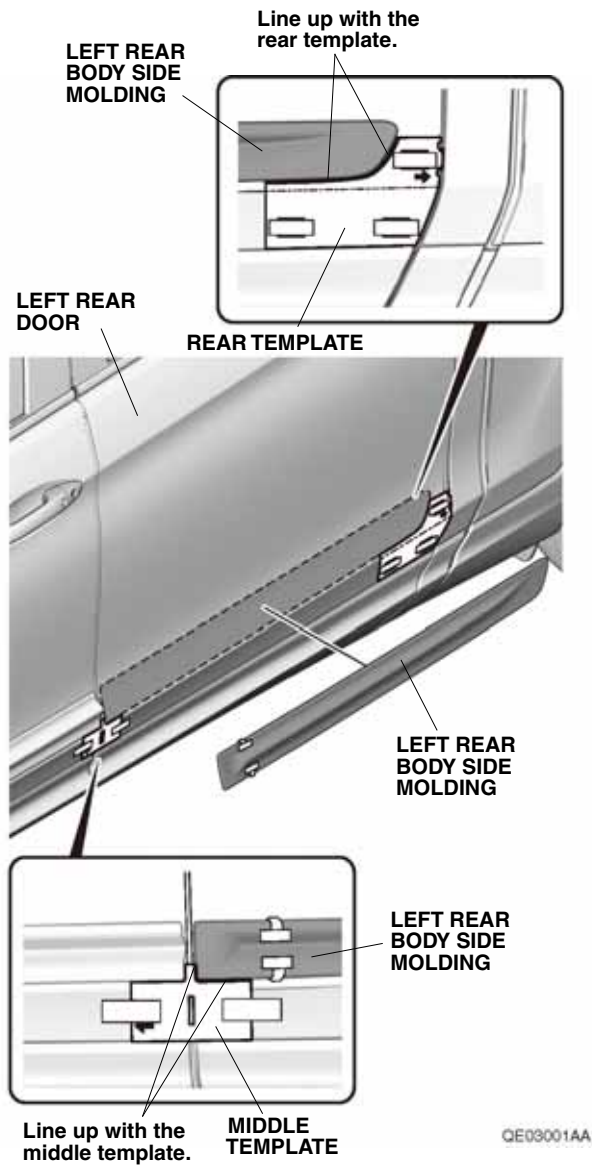
9. Using one alcohol swab, thoroughly clean the left rear door where the left rear body side molding will attach.



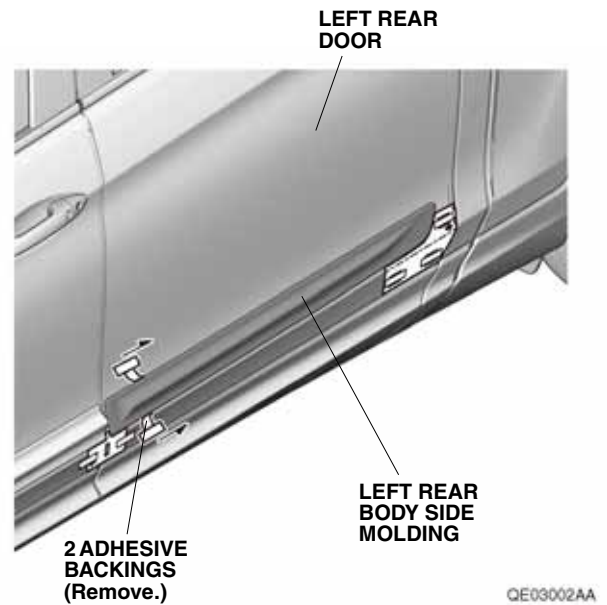
10. Peel back the adhesive backings and tape them to the front surface of the left rear body side molding with masking tape. Remove the remaining adhesive backings.



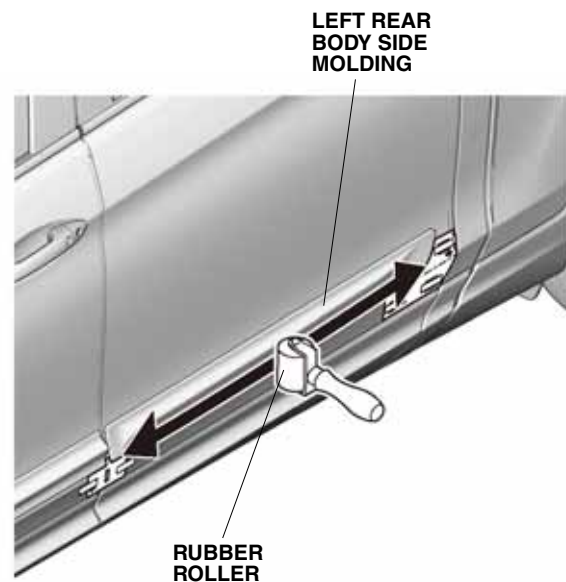
11. Line up the left rear body side molding with the middle and rear templates and attach it to the left rear door as shown.



12. While applying light pressure to the left rear body side molding, carefully remove the taped adhesive backings.



13. Using a rubber roller, apply firm pressure while rolling, especially at the ends, to set the adhesive.



14. Remove the templates. Turn the templates over and repeat steps 1 through 13 to install the right body side moldings.