



INSTALLATION INSTRUCTIONS

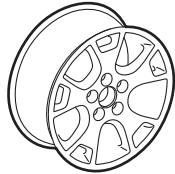
Accessory
17" ALUMINUM WHEEL
P/N 08W17-SJC-100B

Application
2014 RIDGELINE

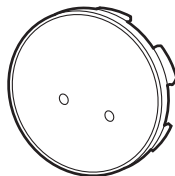
Publications No.
All 50321
Issue Date
AUG 2013

PARTS LIST

Aluminum wheel
(The illustration may differ from the actual wheel.)



Wheel center cap
(The illustration may differ from the actual center cap.)



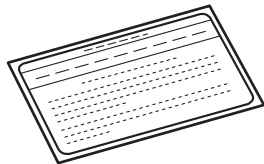
Center cap emblem



2 Push nuts

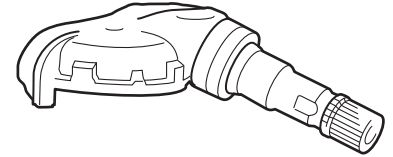


Wheel cleaning information
(Give this information to your customer.)



Parts for TPMS sensor assembly

Tire pressure sensor assembly



Washer



Valve nut



TOOLS AND SUPPLIES REQUIRED

- Ratchet wrench
- 11 mm Socket
- Torque wrench
- Isopropyl alcohol
- Shop towel

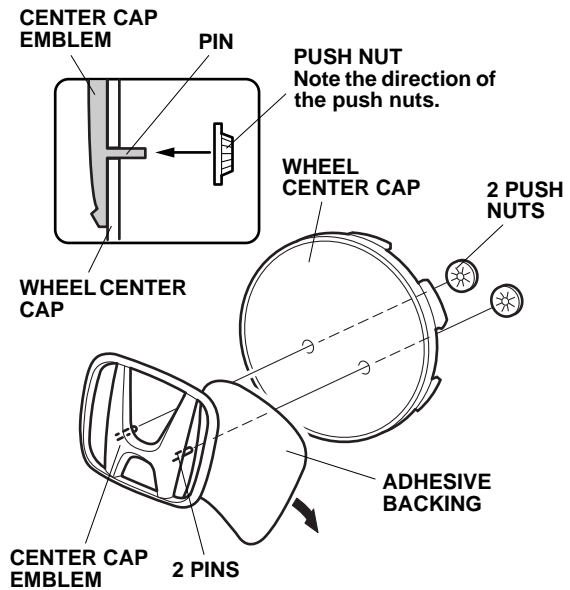
INSTALLATION

Customer Information: The information in this installation instruction is intended for use only by skilled technicians who have the proper tools, equipment, and training to correctly and safely add equipment to your vehicle. These procedures should not be attempted by “do-it-yourselfers.”

NOTE:

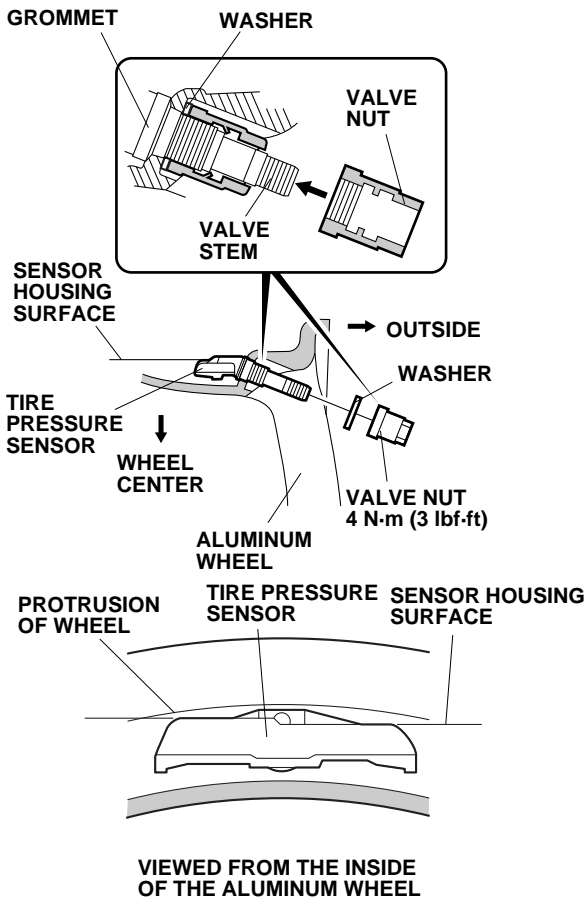
- This aluminum wheel is designed for use on a vehicle equipped with TPMS (Tire Pressure Monitoring System).
- This aluminum wheel is equipped with a TPMS sensor. See the service manual for the tire replacement and TPMS sensor installation procedures.
- The illustrations of the aluminum wheels are shown for reference purposes only.
- Install the correct size tire.
- Follow the instructions in the owner's manual when jacking up the vehicle and removing and installing the wheels. Do not overtighten the wheel nuts by placing your weight on the wrench or by using a pipe for added leverage.
- Wheel nut torque: 127 N·m (95 lbf·ft).
- Use a tire changer to install and remove the tires as described in the operation manual furnished with the tire changer. Do not use a tire lever, as it may cause damage to the tire and aluminum wheel.
- Do not damage the wheel center cap when installing the emblems.
- The center cap emblem kit should be installed only if the ambient air temperature is 15°C (60°F) or above.
- To allow the adhesive to cure, do not wash the vehicle for 24 hours.

1. Using isopropyl alcohol on a shop towel, clean the area where the center cap emblem will attach.



2. Remove the adhesive backing from the center cap emblem.
3. Attach the center cap emblem to the wheel center cap by aligning two pins with the holes on the wheel center cap. Hold the emblem firmly against the wheel center cap with the palm of your hand for 30 seconds.
4. Slide two push nuts onto the pins on the center cap emblem. Note the direction of the push nuts.

- Clean the mating surface of the sensor and the aluminum wheel.



- Install the tire pressure sensor and the washer on the aluminum wheel, and tighten the valve nut finger-tight. Make sure the pressure sensor is resting on the wheel.
- While holding the tire pressure sensor to keep it from rotating, torque the valve nut to 4 N·m (3 lbf·ft). (You may hear a snap or pop as you torque the nut; this is normal.)

NOTE:

- Install the tire pressure sensor so that the sensor housing surface does not protrude into the bead area of the wheel.
- Do not reuse torqued valve nuts. Doing so may cause the valve stem to leak.
- Do not use pneumatic or electric tools on the valve nut.
- Tightening the nut above the specified torque can damage the grommet.

- Install the tires according to the instructions in the service manual.
- Install the wheels on the vehicle and torque the wheel nuts to 127 N·m (95 lbf·ft).