



INSTALLATION INSTRUCTIONS

Accessory

CARGO NET (TRUNK)
P/N 08L96-SJC-100

Application

2010 RIDGELINE

Publications No.

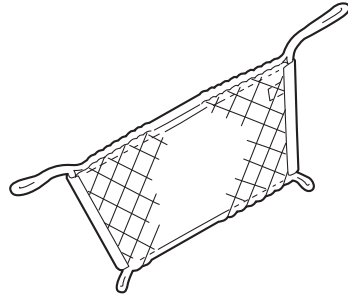
All 42130

Issue Date

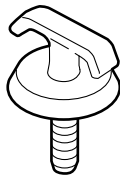
AUG 2009

PARTS LIST

Trunk cargo net



2 Anchors



2 Wellnuts



2 Washers



TOOLS AND SUPPLIES REQUIRED

Drill

1/8 in. and 1/2 in. (3 mm and 13 mm) Drill bits

Felt-tip pen

Center punch

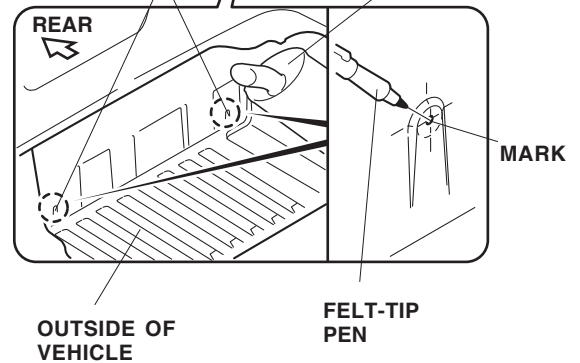
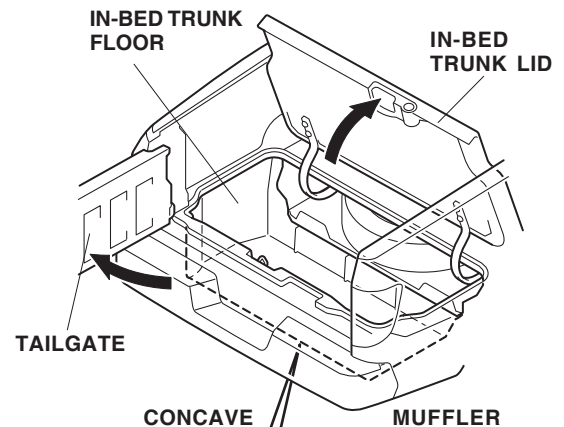
File

INSTALLATION

Customer Information: The information in this installation instruction is intended for use only by skilled technicians who have the proper tools, equipment, and training to correctly and safely add equipment to your vehicle. These procedures should not be attempted by "do-it-yourselfers."

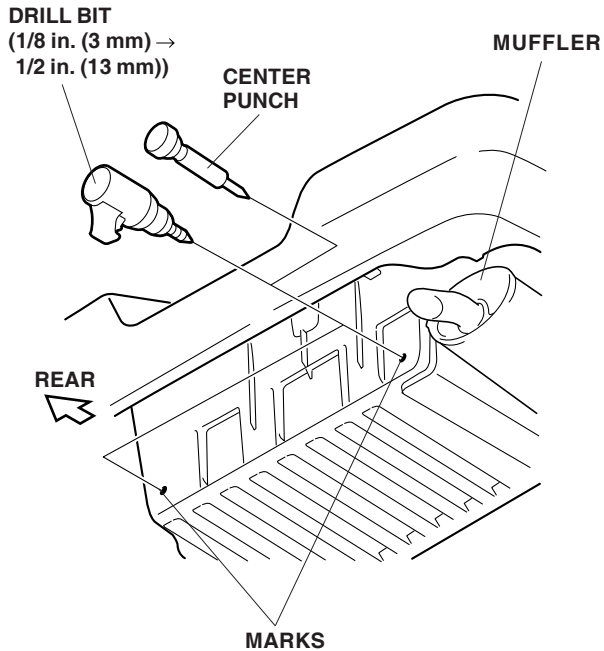
NOTE: Be careful not to damage the body finish.

1. Open the tailgate, then open the in-bed trunk lid. Make sure trunk is empty.

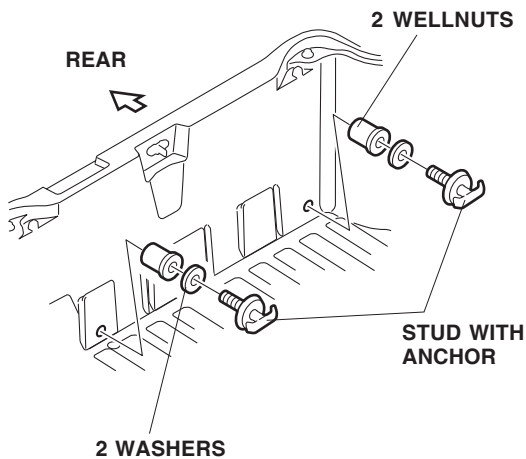


2. Under the rear of the vehicle, locate and mark the center of each concave on the outside of the trunk with a felt-tip pen.

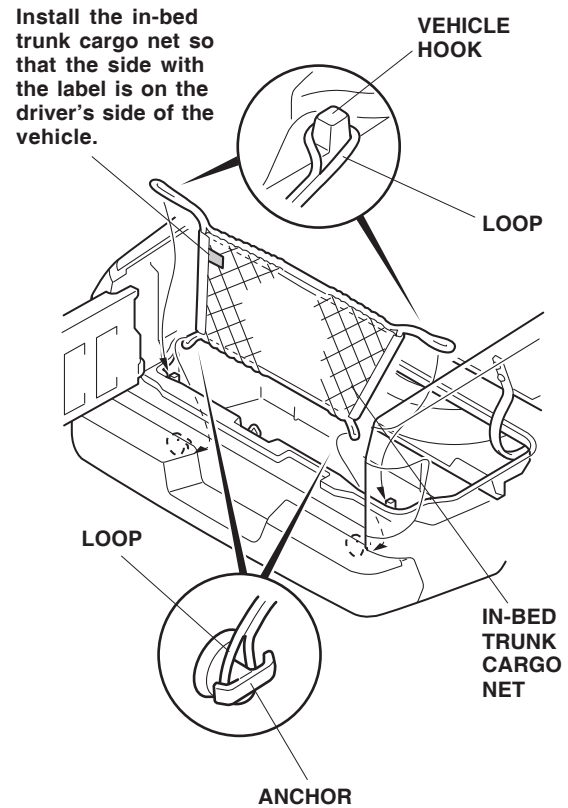
3. Lightly center punch the marks you made. While wearing eye protection, drill a 1/2 in. (13 mm) hole through the center punched marks. Start with a 1/8 in. (3 mm) drill bit, and finish with a 1/2 in. (13 mm) drill bit. Remove all burrs from the edges of the holes with a file.



4. Insert one wellnut into each hole you drilled, and install one anchor with washer into each wellnut.



5. Attach the loops from the in-bed trunk cargo net to the anchors and to the vehicle hooks as shown.



NOTE:

- Do not store large or fragile objects in the net.
- Do not store objects with sharp edges or corners, as they may damage the cargo net or the vehicle. Wrap such objects in paper or a blanket so they will not contact the net directly.
- The anchors for the in-bed cargo net should not be used for any other purpose.