



**INSTALLATION  
INSTRUCTIONS**

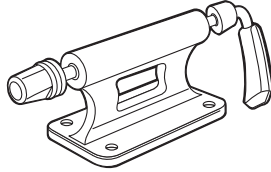
Accessory  
**BICYCLE  
ATTACHMENT**  
P/N 08L07-SJC-100A

Application  
**2010 RIDGELINE**

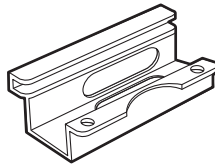
Publications No.  
**All 42119**  
Issue Date  
**AUG 2009**

**PARTS LIST**

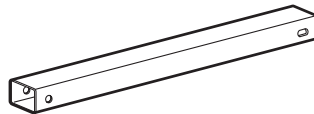
2 Fork clamps



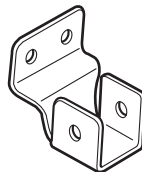
2 Fork clamp brackets



Bar



2 Mounting brackets



4 Bolts



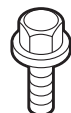
4 Washers, 6 mm



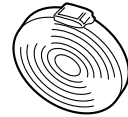
4 Plain washers, 8 mm



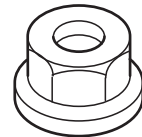
2 Flange bolts



2 Straps



2 Flange nuts



Torx wrench



**TOOLS AND SUPPLIES REQUIRED**

13 mm Combination wrench

T-50 Torx Wrench

Socket

Ratchet

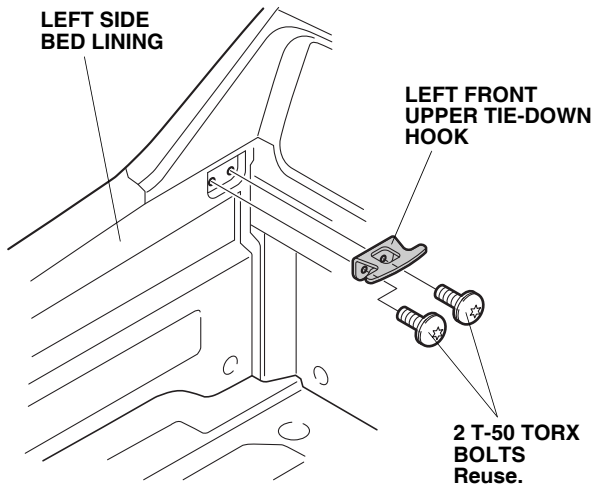
**INSTALLATION**

**Customer Information:** The information in this installation instruction is intended for use only by skilled technicians who have the proper tools, equipment, and training to correctly and safely add equipment to your vehicle. These procedures should not be attempted by "do-it-yourselfers."

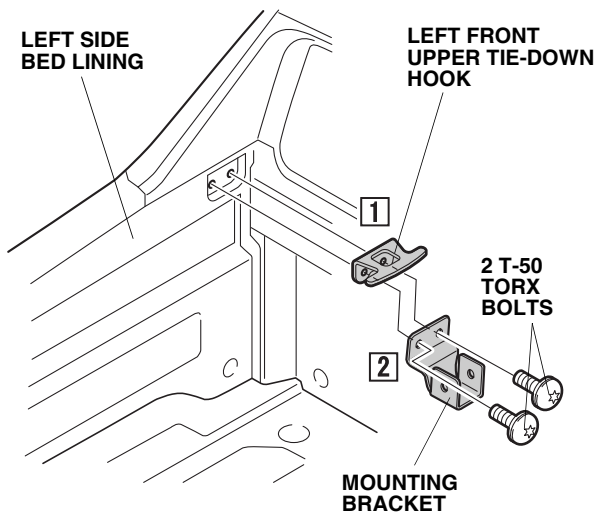
**NOTE:** Do not use non-Honda accessories, carriers or attachment sets with this bicycle attachment kit.

## Installing the Bicycle Attachment

1. Remove the left front upper tie-down hook (two T-50 torx bolts).

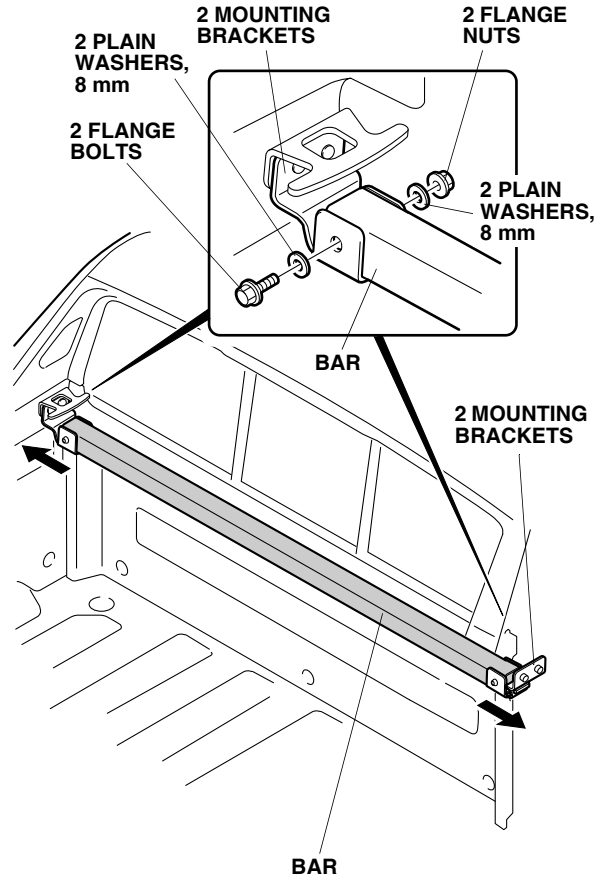


2. Reinstall the left front upper tie-down hook with the mounting bracket and two T-50 torx bolts. Torque the T-50 torx bolts to: 18.6 ~ 24.5 N·m (13.7 ~ 18.1 lbf·ft). Install in the following order (1 → 2).

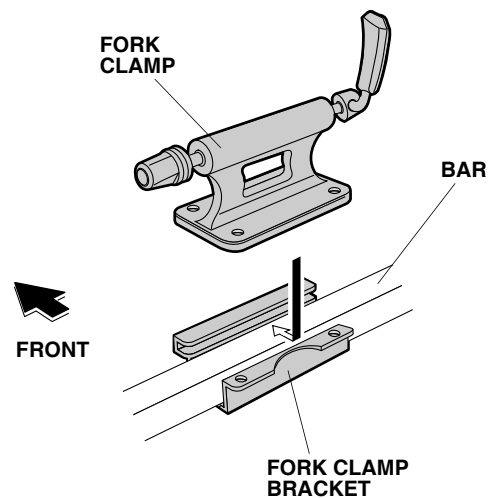


3. Repeat steps 1 and 2 on the right side of the vehicle.

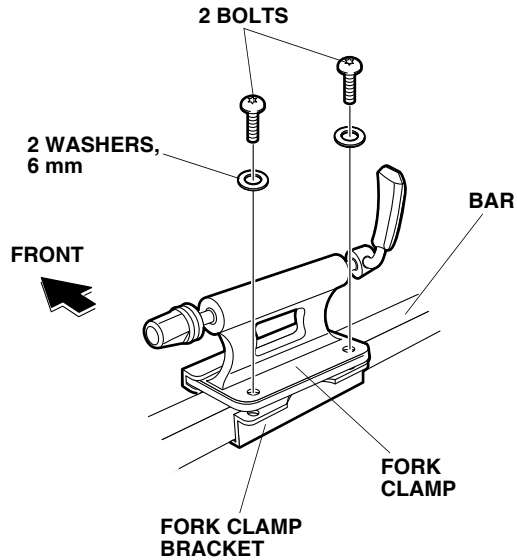
4. Install the bar to the mounting brackets with two flange bolts, four 8 mm plain washers, and two flange nuts.



5. Position the fork clamp and the fork clamp bracket to the bar as shown.



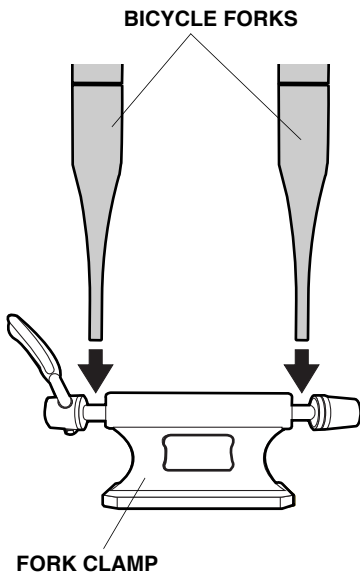
6. Using a torx wrench provided, secure the fork clamp to the bar with two bolts, two 6 mm washers, and the fork clamp bracket.



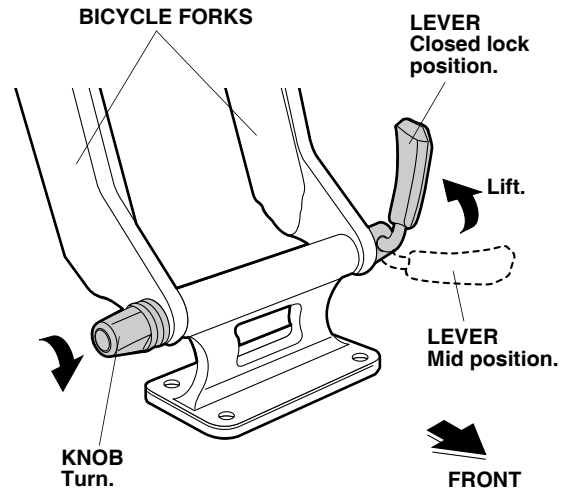
7. Repeat steps 5 and 6 to install the other fork clamp.

**How to Install the Bicycle on the Bicycle Attachment**

8. Position the bicycle forks onto the fork clamp as shown.

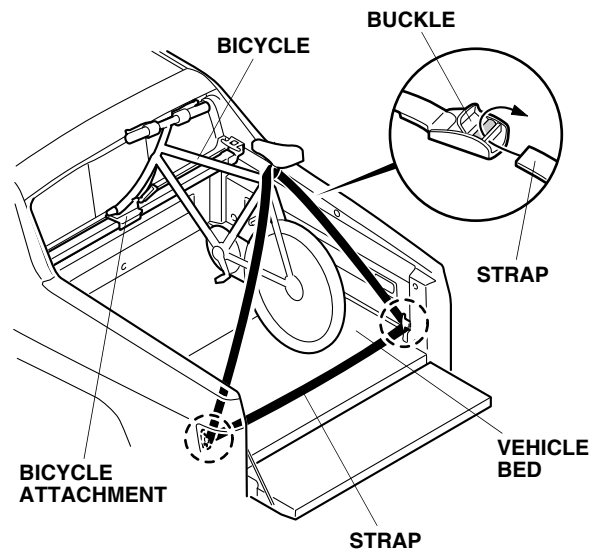


9. Lift the lever from the mid position to the closed lock position and while holding the lever on the fork clamp, turn the knob on the fork clamps to tension the bicycle forks.



NOTE: After installing the bicycle on the bicycle attachment, secondary strapping on both sides are needed to secure the bicycle to the vehicle bed.

10. Using the strap included in this kit, secure the bicycle to the vehicle bed as shown and secure the strap with the buckle.



**Use and Care**

- Before and after driving, or after loading the bicycle on the attachment, check the attachment mount bolt torque and retighten them as necessary.

**Precaution**

- Avoid sudden starts or stops with the attachment on the vehicle. It may cause bolts and other fasteners to loosen.
- Obey local laws and regulations.
- Before driving, check that the attachment is locked securely regardless of whether or not the bicycle is mounted on the attachment.