



**INSTALLATION  
INSTRUCTIONS**

Accessory

TRAILER HARNESS  
P/N 08L91-SJC-100C

Application

2009 RIDGELINE

Publications No.

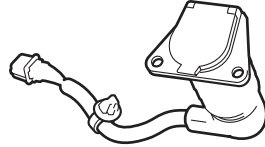
All 40322

Issue Date

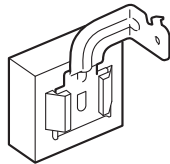
AUG 2008

**PARTS LIST**

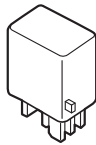
Trailer socket harness



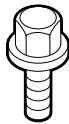
Control unit



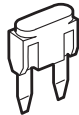
2 Relays



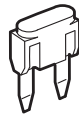
6 Flange bolts, 6 x 16 mm



3 Fuses 20A



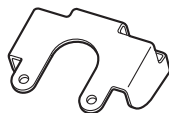
2 Fuses 7.5A



Connector clip



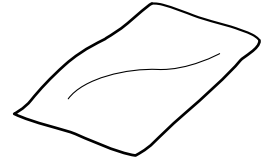
Socket bracket



3 Riv nuts, 6 mm



Subharness kit



**TOOLS AND SUPPLIES REQUIRED**

Phillips screwdriver

Flat-tip screwdriver

Diagonal cutters

Ratchet

10 mm Socket

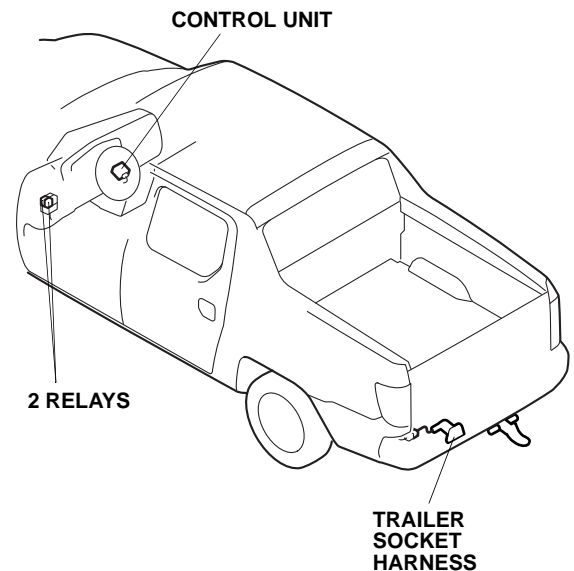
10 mm Combination wrench

Hex wrench

Rivet nut tool

19 mm Wrench

**Illustration of the Trailer Harness Installed on the Vehicle**



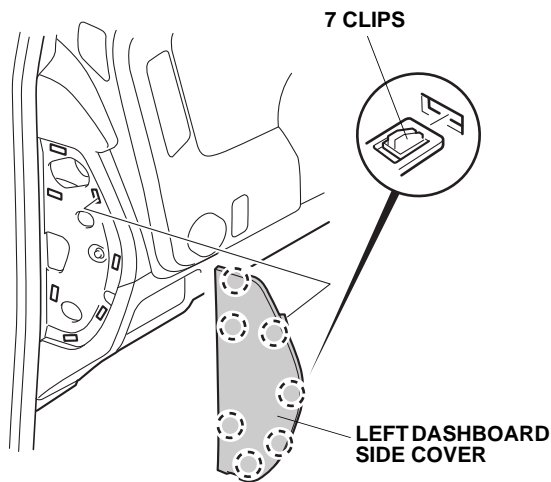
**INSTALLATION**

**Customer Information:** The information in this installation instruction is intended for use only by skilled technicians who have the proper tools, equipment, and training to correctly and safely add equipment to your vehicle. These procedures should not be attempted by “do-it-yourselfers.”

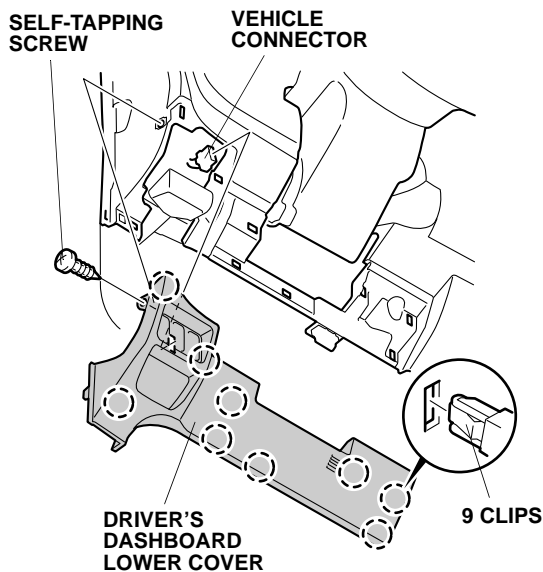
1. Make sure you have the anti-theft code for the audio and navigation system (if equipped).
2. Disconnect the negative cable from the battery.

**Removing the vehicle parts**

3. Remove the left dashboard side cover (seven clips).

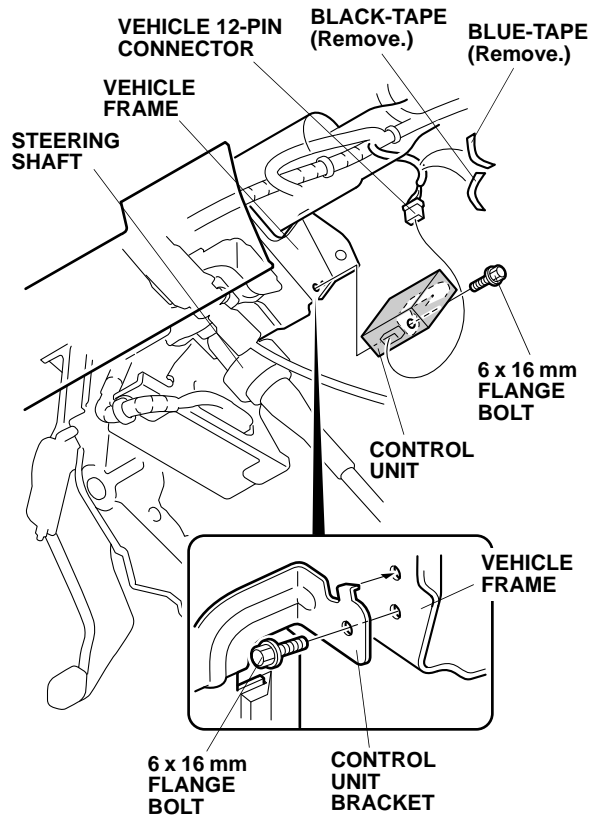


4. Remove the driver's dashboard lower cover (one self-tapping screw, nine clips, unplug one vehicle connector).



**Installing the Control unit**

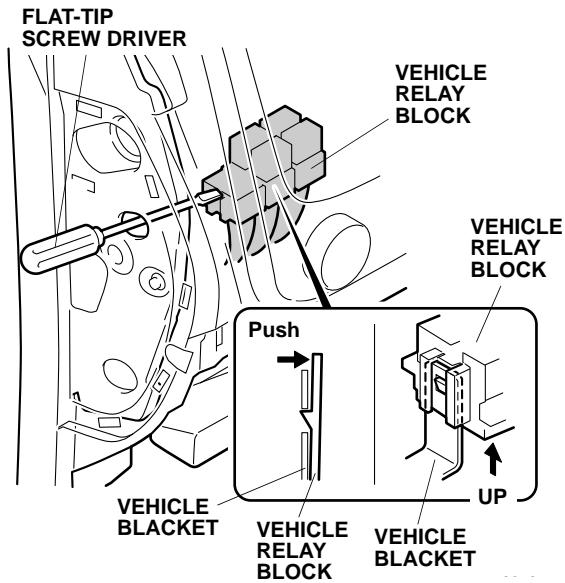
5. Under the dashboard on the driver's side of the vehicle, install the control unit bracket to the vehicle frame with one 6 x 16 mm flange bolt.



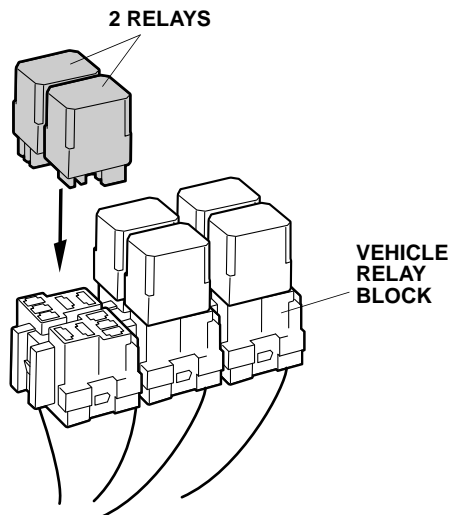
6. On the right side of the steering shaft, locate the vehicle 12-pin connector blue-tape and black-tape to the vehicle harness, and remove the blue-tape and black-tape to free the connectors.
7. Plug the vehicle 12-pin connector into the control unit harness 12-pin connector.

### Attaching the Relay

- Using a flat-tip screwdriver through the hole in the side of the dashboard, remove the vehicle relay block as shown.

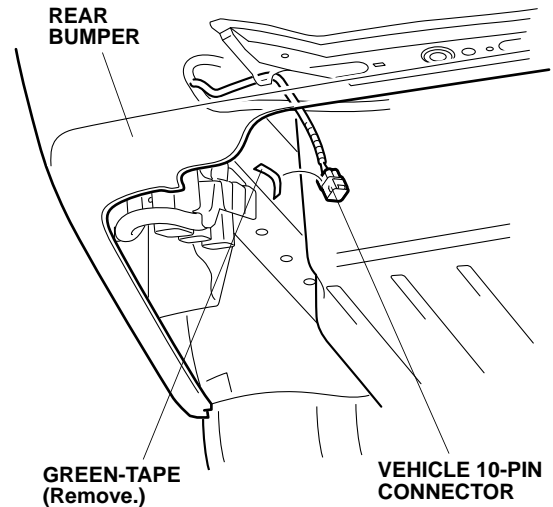


- Attach the two relays into the vehicle relay block, and reinstall the vehicle relay block.

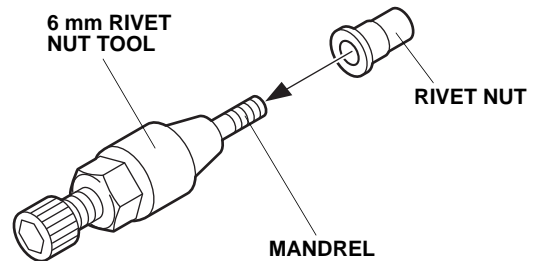


### Routing the Trailer Socket Harness

- Under the rear bumper on the left side, remove the green-tape from the connector and pull on the harness to free the vehicle 10-pin connector.

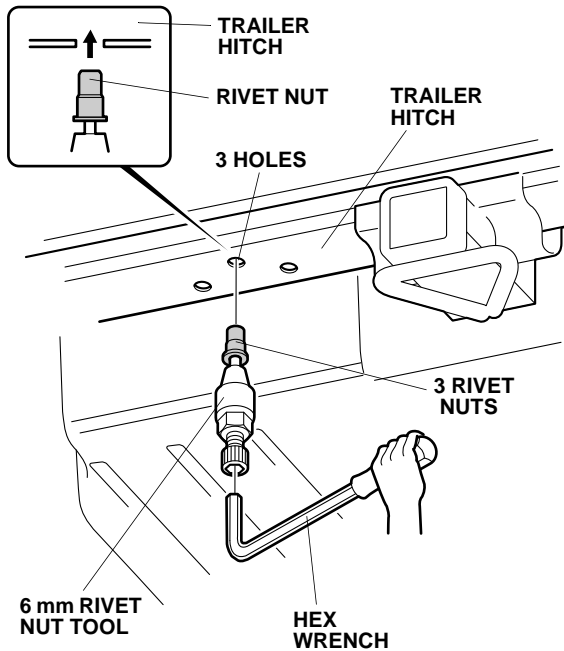


- Thread the rivet nut onto the mandrel of the 6 mm rivet nut tool as shown.

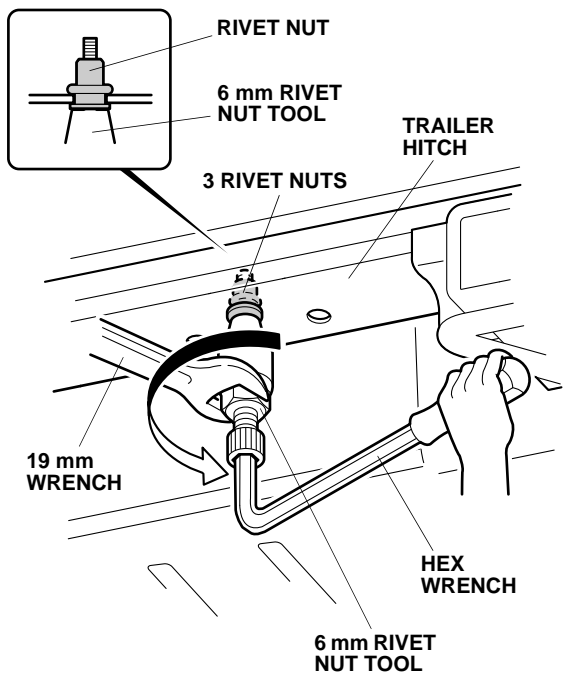


12. Insert the three rivet nuts into the three holes in the trailer hitch, and insert the hex wrench in the 6 mm rivet nut tool.

NOTE: Rivet nuts may be a tight fit into the vehicle holes. If they do not slide in easily, use a hammer to tap them into place.

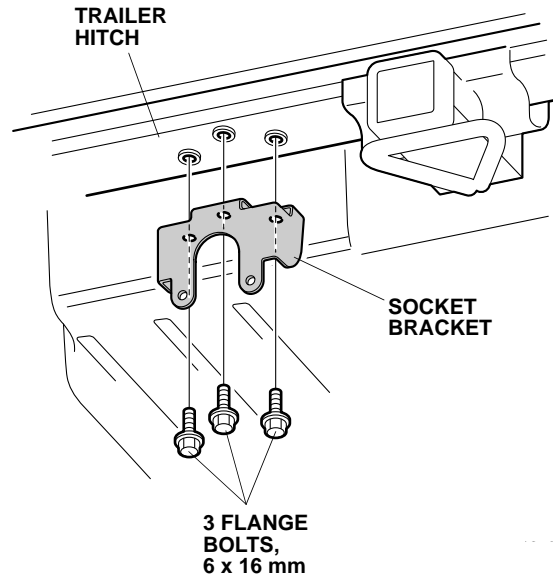


13. Holding the 6 mm rivet nut tool with the hex wrench, turn the 19 mm wrench counterclockwise and install the three rivet nuts to the trailer hitch.

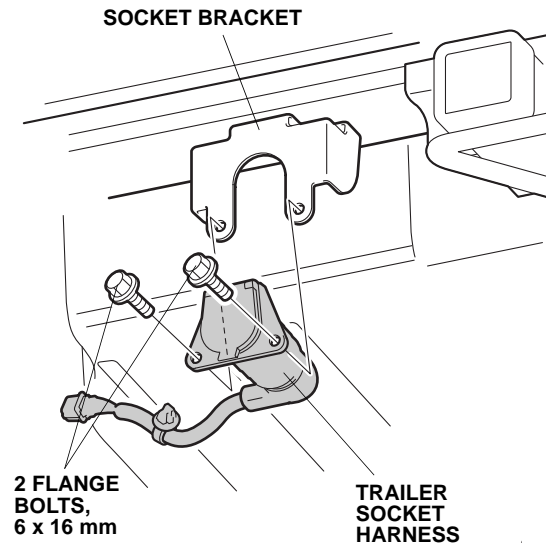


14. Remove the 6 mm rivet nut tool from the rivet nut by turning the hex wrench counterclockwise.

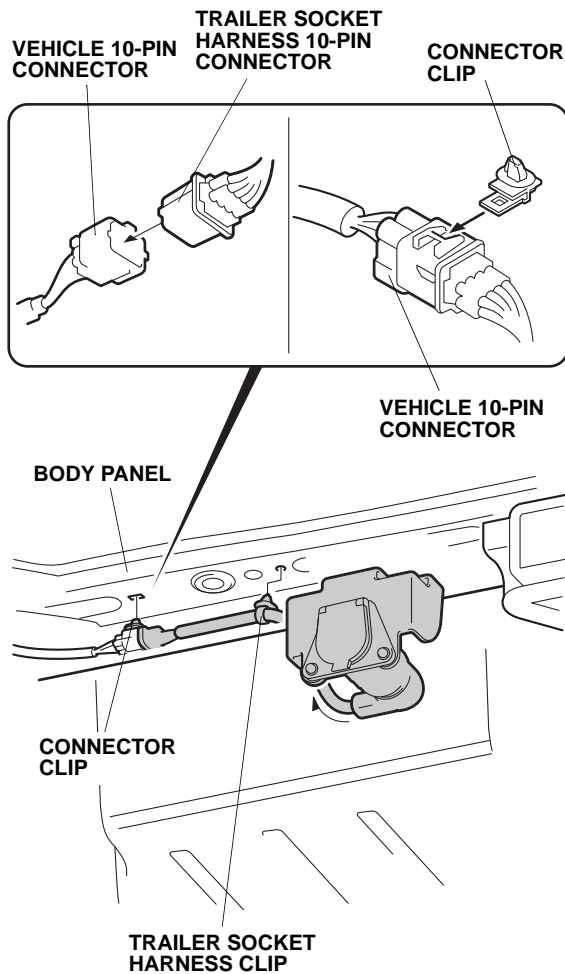
15. Install the socket bracket to the trailer hitch with three 6 x 16 mm flange bolts.



16. Install the trailer socket harness to the socket bracket with two 6 x 16 mm flange bolts.



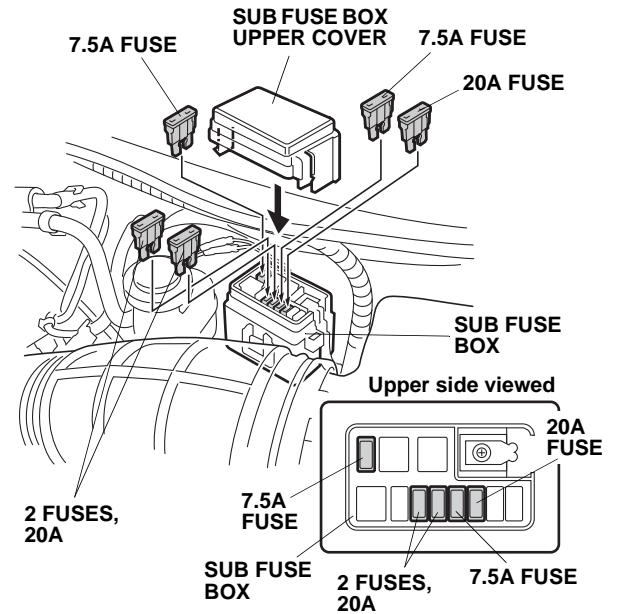
17. Plug the trailer socket harness 10-pin connector into the vehicle 10-pin connector.



18. Install the connector clip into the vehicle 10-pin connector, and push the connector clip and trailer socket harness clip into the holes of the body panel.

### Installing the Fuse

19. Under the hood, remove the sub fuse box upper cover, and install the three 20A fuses and two 7.5A fuses into the slot in the sub fuse box. Reinstall the sub fuse box upper cover.



20. Check that all wire harnesses are routed properly and all connectors are plugged in.
21. Reinstall all removed parts. Check that all clips and fasteners are installed securely.
22. Reconnect the negative cable to the battery.
23. Reset the clock, and reset the radio station presets.
24. Put the sub harness kit in the glove box.

## Put a Copy of This Page in the Glove Box for Your Customer

### Subharness for Electric Brake Controller

This subharness adapts an electric trailer brake controller to your vehicle. Have a qualified mechanic install your trailer brake controller following the trailer brake controller manufacturer's instructions. For more information, refer to "Towing a Trailer" in your vehicle owner's manual.

