



## INSTALLATION INSTRUCTIONS

Accessory

TRAILER HITCH

Application

2008 RIDGELINE

Publications No.

All 36651-41081

Issue Date

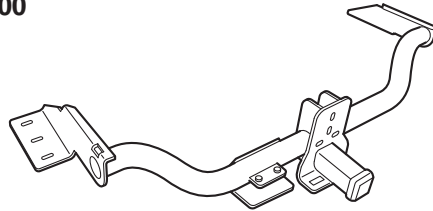
DEC 2008

**NOTE: Vehicles produced prior to August 24, 2005 are not prewired for trailer back up lights.**

### PARTS LIST

**Trailer Hitch Kit:  
P/N 08L92-SJC-100**

Trailer hitch



6 Bolts, 12 x 40 mm



2 Bolts, 10 x 30 mm



6 Plain washers, 12 mm



2 Plain washers, 10 mm



6 Spring washers, 12 mm



2 Spring washers, 10 mm



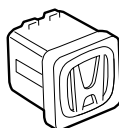
Hitch pin



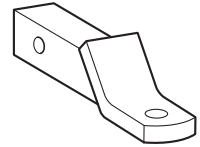
Hitch pin clip



Receiver cover

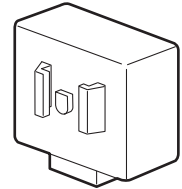


Ball mount

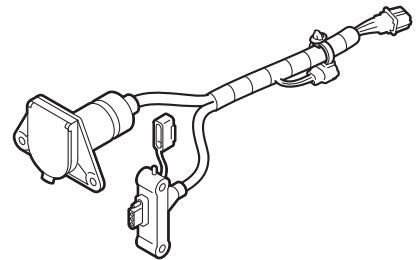


**Trailer Harness Kit  
P/N 08L91-SJC-102**

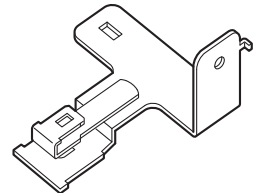
Control unit



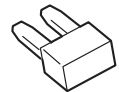
Socket



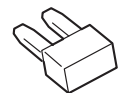
Unit bracket



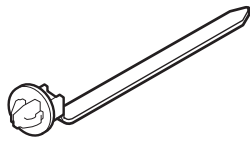
3 Fuses, 20 A



2 Fuses, 7.5 A



Wire tie with clip



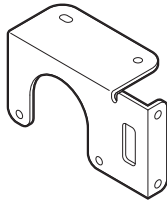
5 Flange bolts, 6 x 16 mm



Connector clip



Socket bracket



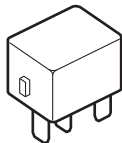
2 Flange nuts, 6 mm



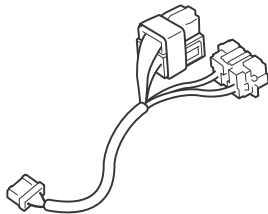
2 Flange bolts, 6 x 35 mm



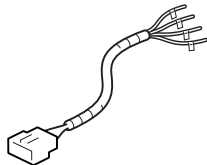
3 Relays



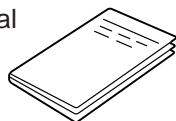
Control unit harness



Trailer brake subharness



Accessory User's Information Manual



## TOOLS AND SUPPLIES REQUIRED

Phillips screwdriver

Flat-tip screwdriver

Ratchet

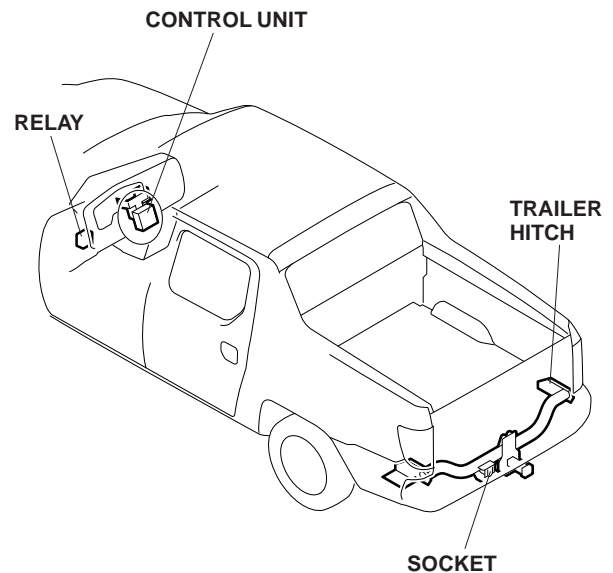
10 mm, 14 mm, 16 mm, 17 mm, and 18 mm Socket

Torque wrench

10 mm, 14 mm, and 16 mm Combination wrench

Diagonal cutters

## Illustration of the Trailer Hitch Installed on the Vehicle



## INSTALLATION

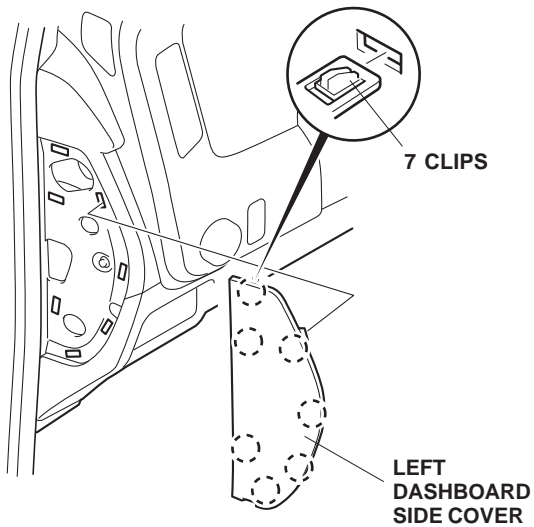
**Customer Information:** The information in this installation instruction is intended for use only by skilled technicians who have the proper tools, equipment, and training to correctly and safely add equipment to your vehicle. These procedures should not be attempted by "do-it-yourselfers."

1. Make sure you have the anti-theft code for the radio, then write down the radio station presets.
2. Disconnect the negative cable from the battery.

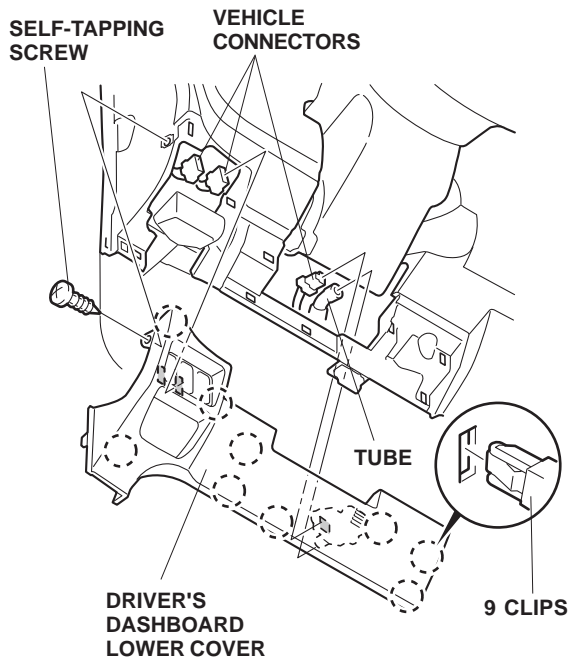
**NOTE:** Failure to disconnect the battery may cause a short in the VTM-4 circuit.

## Installing the Control Unit

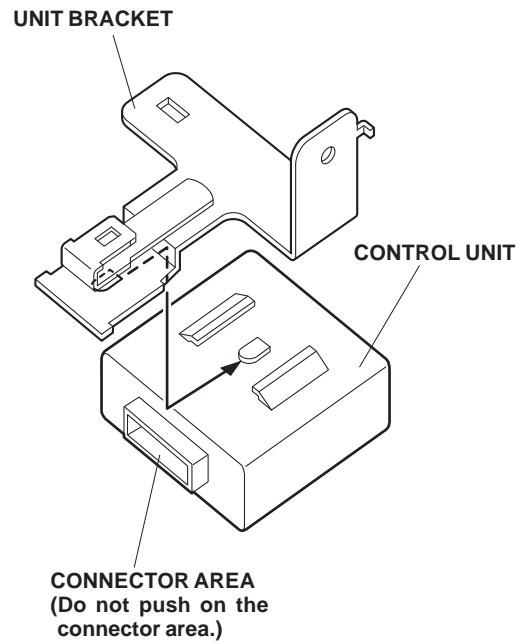
3. Remove the left dashboard side cover (seven clips).



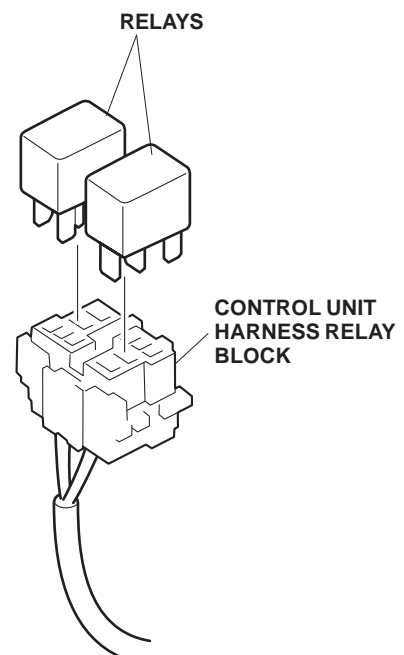
4. Remove the driver's dashboard lower cover:
  - Remove the one self-tapping screw.
  - Release the nine clips, and pull out the driver's dashboard lower cover.
  - Unplug the vehicle connectors, and remove the vehicle tube. Remove the lower cover.



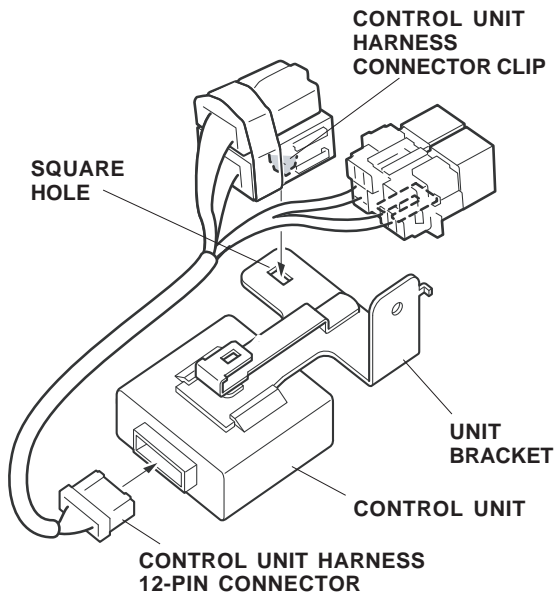
5. Install the control unit into the unit bracket. Do not push on the connector area.



6. Get the control unit harness and two relays. Install the two relays into the control unit harness relay block.

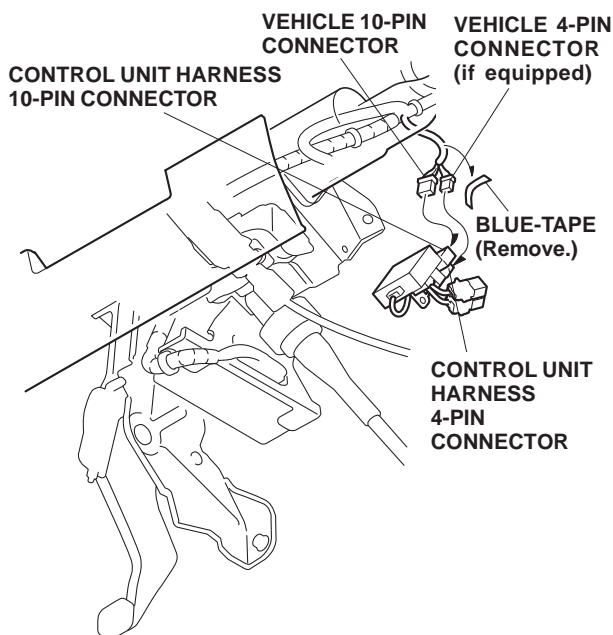


7. Plug the control unit harness 12-pin connector into the control unit.



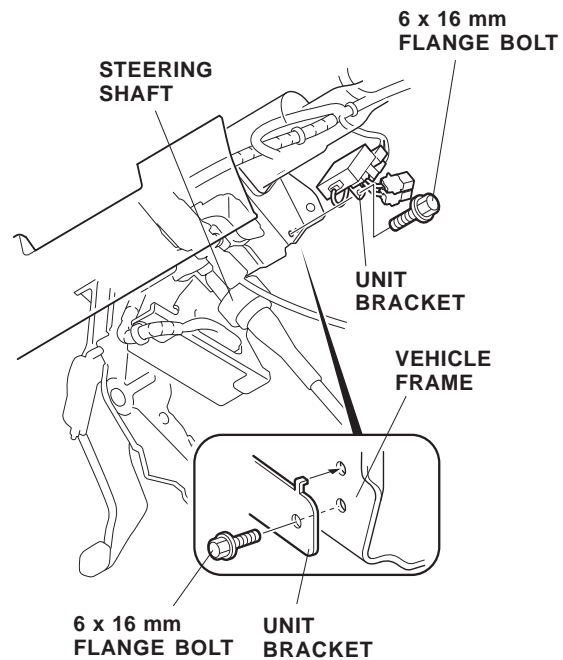
8. Push the connector clip on the control unit harness into the square hole in the unit bracket.
9. On the right side of the steering shaft, locate the vehicle 10-pin and 4-pin connectors (if equipped) blue taped to the vehicle harness. Remove the blue tape to free the connectors.

NOTE: Vehicles produced prior to August 24, 2005 will not be equipped with the 4-pin connector.



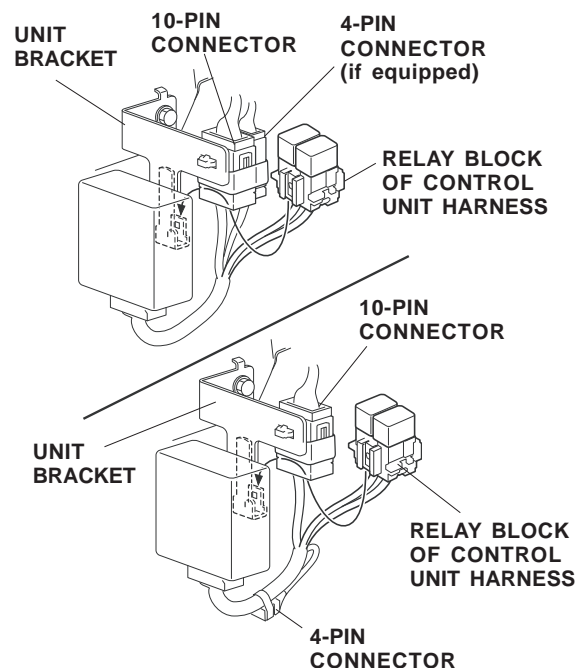
10. Plug the vehicle 10-pin and 4-pin connectors (if equipped) into the control unit harness 10-pin and 4-pin connectors.

11. Under the dashboard on the driver's side of the vehicle, install the unit bracket to the vehicle frame with one 6 x 16 mm flange bolt.



12. Install the relay block on the control unit harness to the unit bracket.

NOTE: If the vehicle is produced prior to August 24, 2005, untape the 4-pin connector from the 10-pin connector, and tape the 4-pin connector to the 12-pin control unit harness.

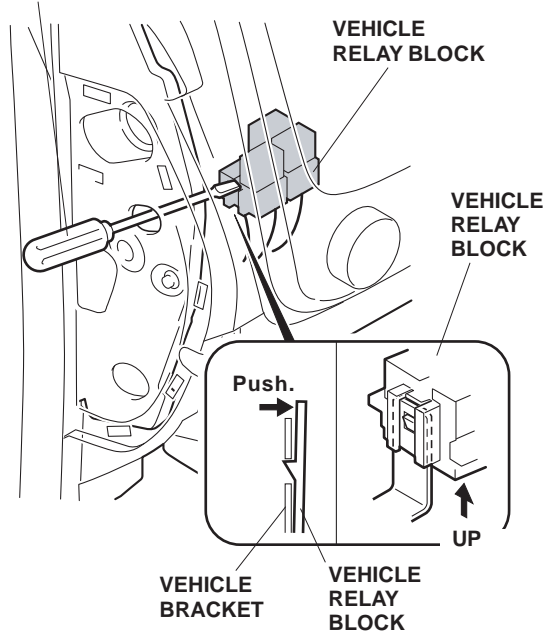


## Attaching the Relay

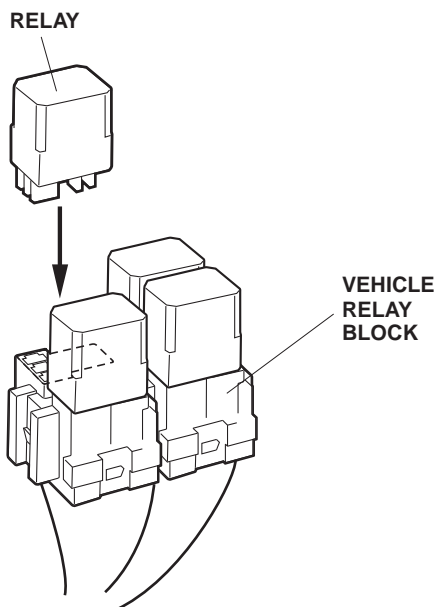
- Using a flat-tip screwdriver through the hole in the side of the dashboard, remove the vehicle relay block as shown.

NOTE: Failure to disconnect the negative battery cable may cause the VTM-4 20 amp (#4) fuse to blow. The VTM-4 fuse is located in the auxiliary under hood fuse box.

FLAT-TIP  
SCREWDRIVER

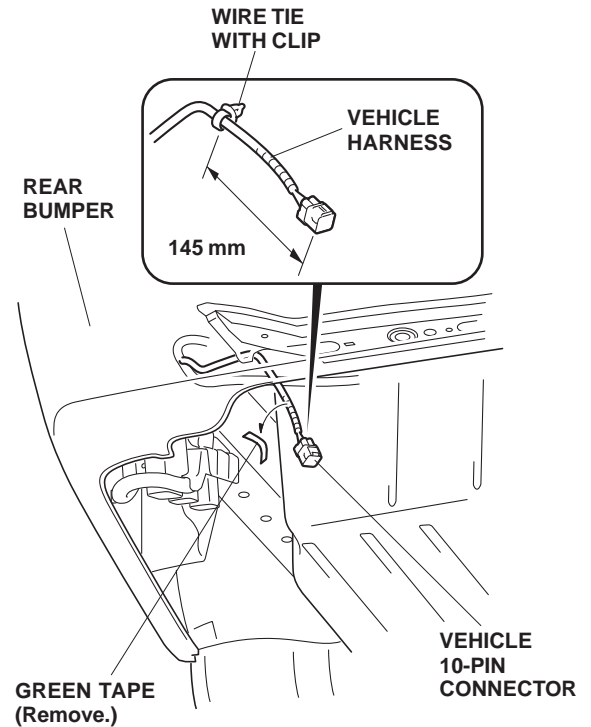


- Install a relay into the vehicle relay block, and reinstall the vehicle relay block.



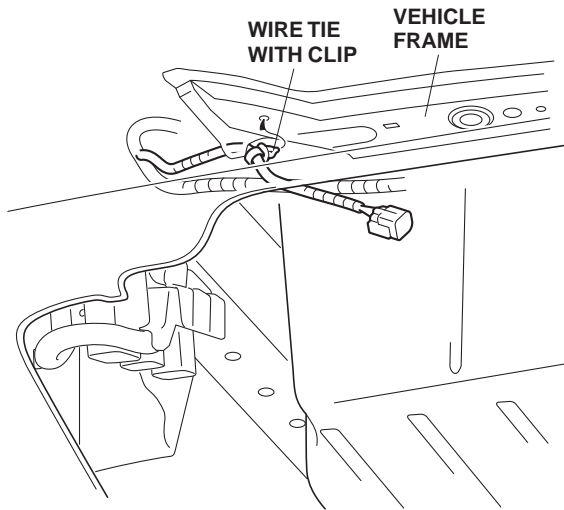
## Securing the Vehicle 10-Pin Connector

- Under the rear bumper on the left side, locate the vehicle 10-pin connector taped to the vehicle harness. Remove the green tape to free the connector.



- Measure from the end of the harness, and attach one wire tie with clip to the vehicle harness as shown.

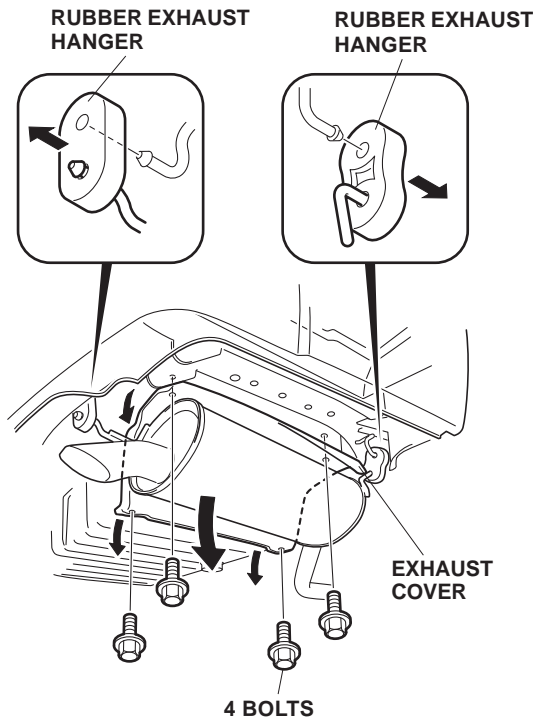
17. Push the wire tie with clip into the hole in the vehicle frame.



## Installing the Trailer Hitch

NOTE: Allow the exhaust pipe to cool down before you remove the exhaust cover.

18. Lower the muffler by removing the two rubber exhaust hangers.

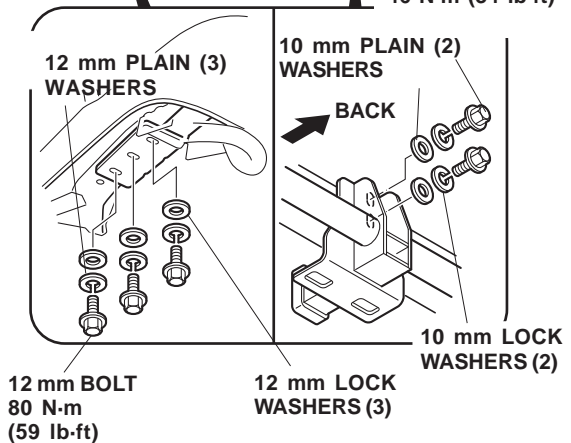
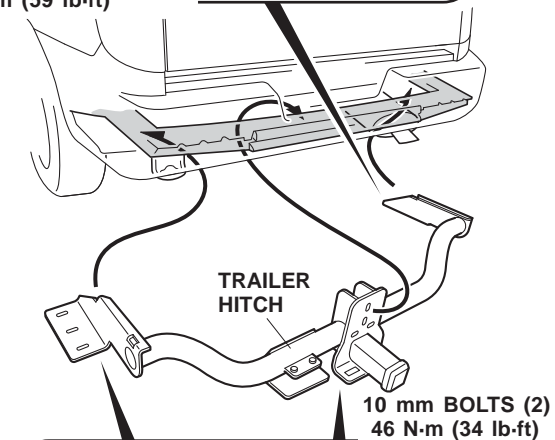
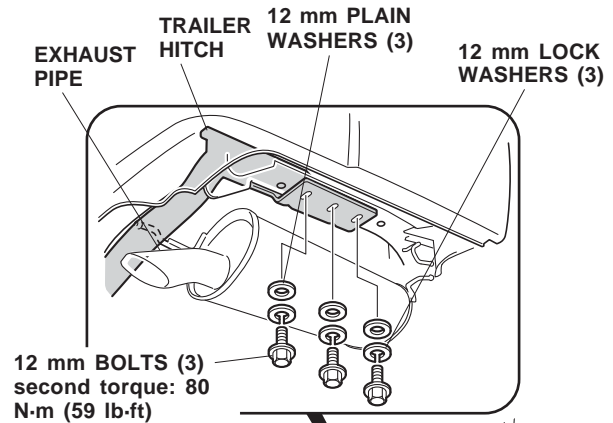


19. Remove the four bolts, and slide the exhaust cover around the muffler to allow access to the trailer hitch mounting holes.

20. With the help of an assistant, position the trailer hitch under the vehicle, and loosely install six 12 x 40 mm bolts with six 12 mm plain washers and six 12 mm lock washers.

21. Loosely install two 10 x 36 mm bolts with two 10 mm plain washers and two 10 mm lock washers to secure the center of the trailer hitch.

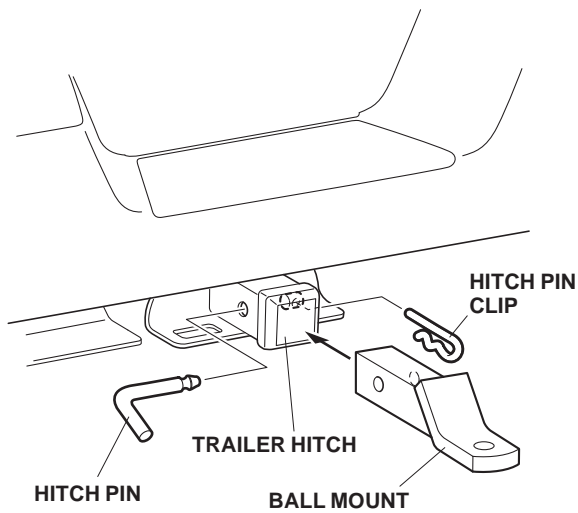
- First torque the 10 x 36 mm bolts at the center of the hitch to 46 N-m (34 lb-ft), then torque the 12 x 40 mm bolts at the ends of the hitch to 80 N-m (59 lb-ft).



22. Reinstall the exhaust cover and rubber exhaust hangers.

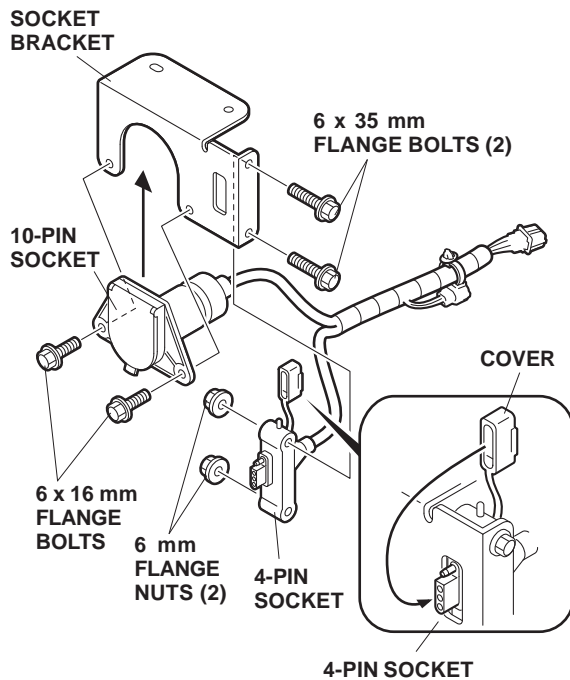


23. Slide the ball mount into the trailer hitch. Align the holes in the trailer hitch with the holes in the ball mount, then insert the hitch pin into the hole. Secure the hitch pin with the hitch pin clip.



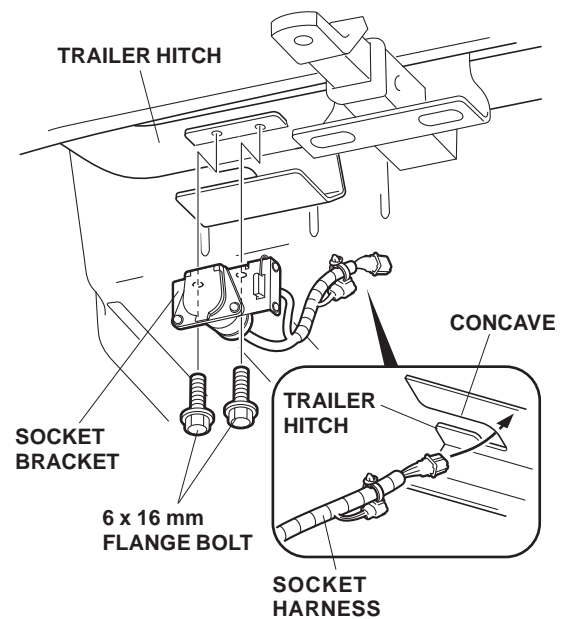
## Installing the Socket

24. Install the 10-pin socket to the socket bracket with two 6 x 16 mm flange bolts.

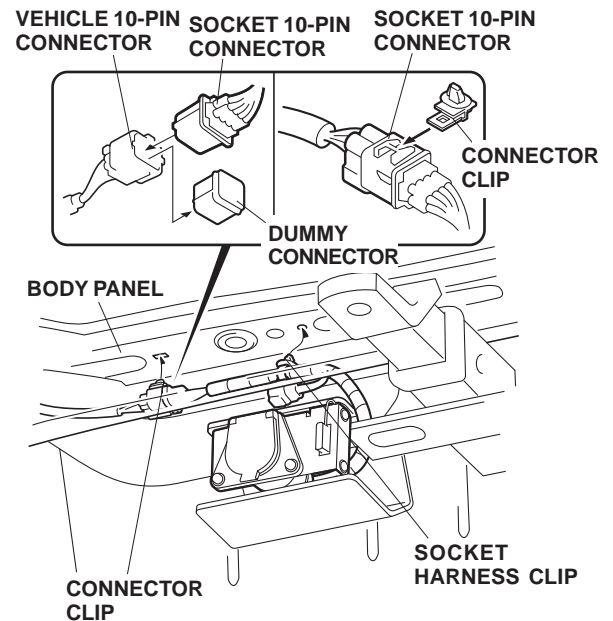


25. Remove the cover from the 4-pin socket, and install the 4-pin socket to the socket bracket with two 6 x 35 mm flange bolts and two 6 mm flange nuts. Reattach the cover.

26. Route the harness from the socket through the opening in the trailer hitch, and install the socket bracket to the trailer hitch with two 6 x 16 mm flange bolts.



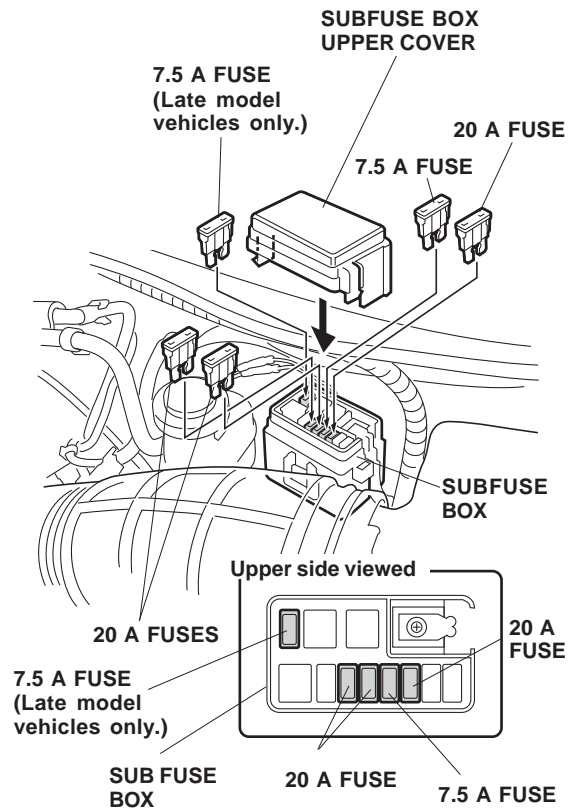
27. Remove the dummy connector from the vehicle 10-pin connector, and plug the socket 10-pin connector into the vehicle 10-pin connector.



28. Install the connector clip into the vehicle 10-pin connector, and push the connector clip and socket harness clip into the holes in the body panel.

## Installing the Fuses

29. Under the hood, remove the subfuse box upper cover, and install the three 20 A fuses and two 7.5 A fuses into the connectors in the subfuse box. Then install the subfuse box upper cover from the kit.



30. Check that all wire harnesses are routed properly and all connectors are plugged in.
31. Reinstall all removed parts. Check that all clips and fasteners are installed securely.
32. Reconnect the negative cable to the battery.
33. Reset the clock, and enter the radio station presets.
34. Check the operation of the trailer harness according to the owner's manual supplied.

NOTE: Whenever the battery is disconnected, the driver's window AUTO function is disabled.

35. Start the engine. Push down on the driver's window switch until the window is fully open.
36. Pull up on the driver's window switch fully to close the window completely, then hold the switch for 2 seconds or more.
37. Test the window AUTO function.

NOTE: After about 620 miles (1,000 km) of use, retighten the bolts and nuts to the specified torque.



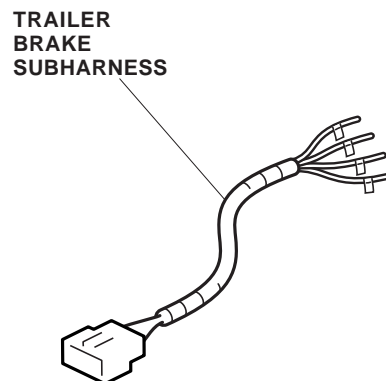
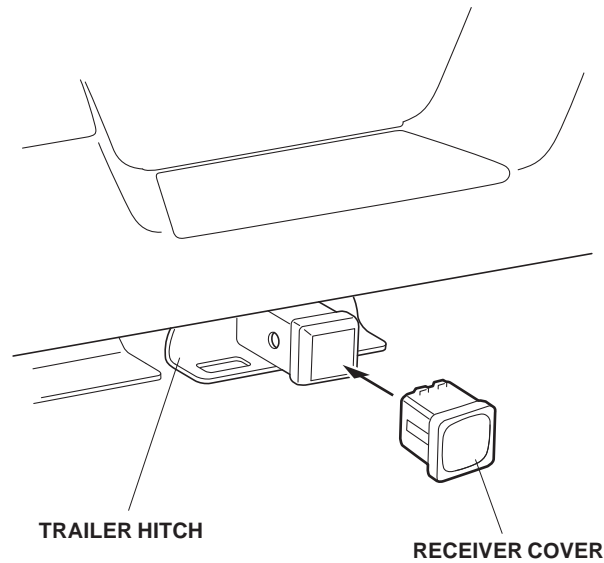
Put a Copy of This Page in the Glove Box for Your Customer

## Installing the Receiver Cover

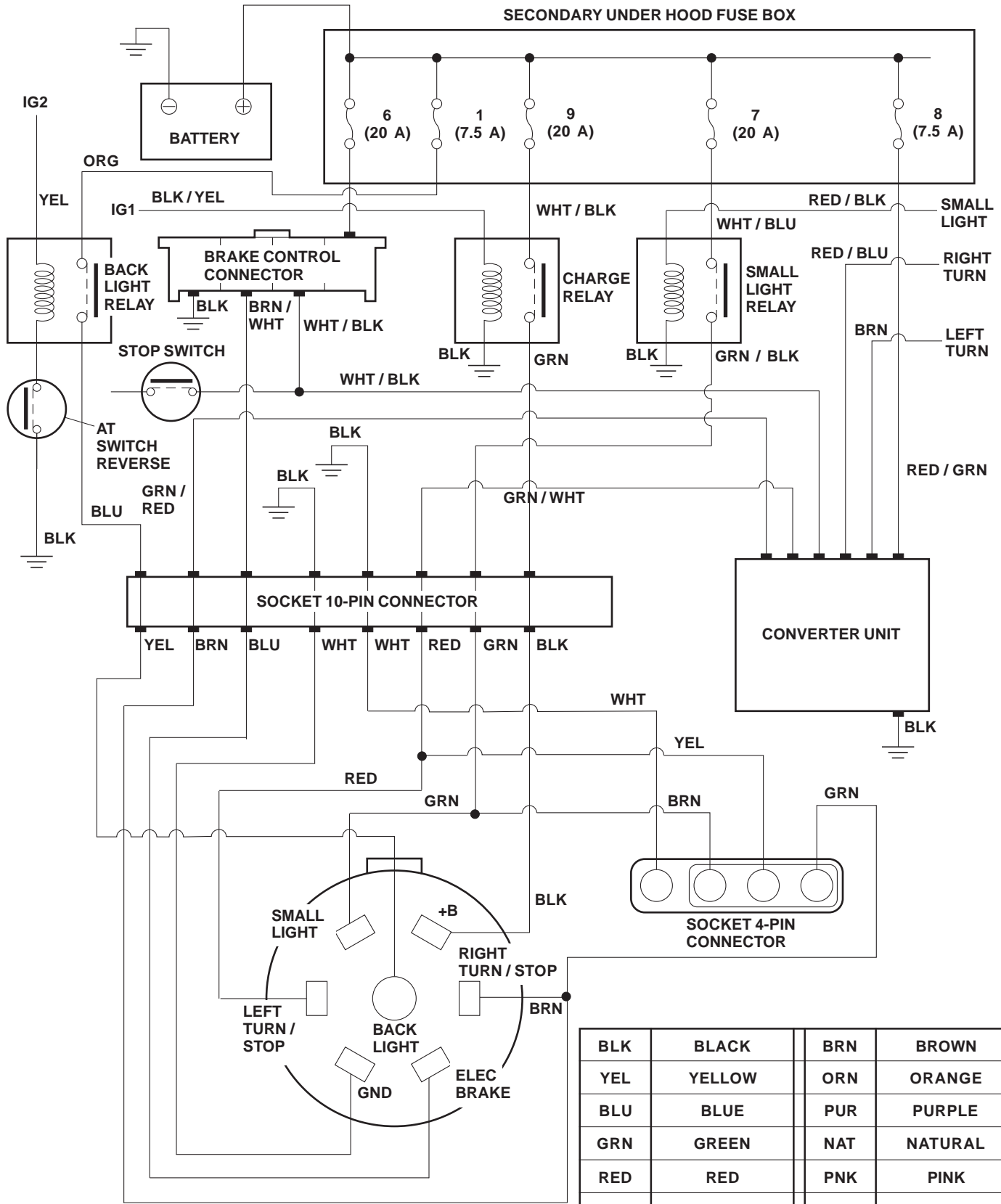
Whenever you remove the hitch pin clip, the hitch pin, and the ball mount, securely store them in the cargo area. Then install the receiver cover into the opening at the end of the trailer hitch. When you reinstall the ball mount, store the receiver cover in the cargo area.

## How to Handle the SubHarness

The trailer brake subharness is designed to use with the installation of an ELEC brake controller. Refer to the vehicle's owner's manual for the detailed information about handling the subharness.

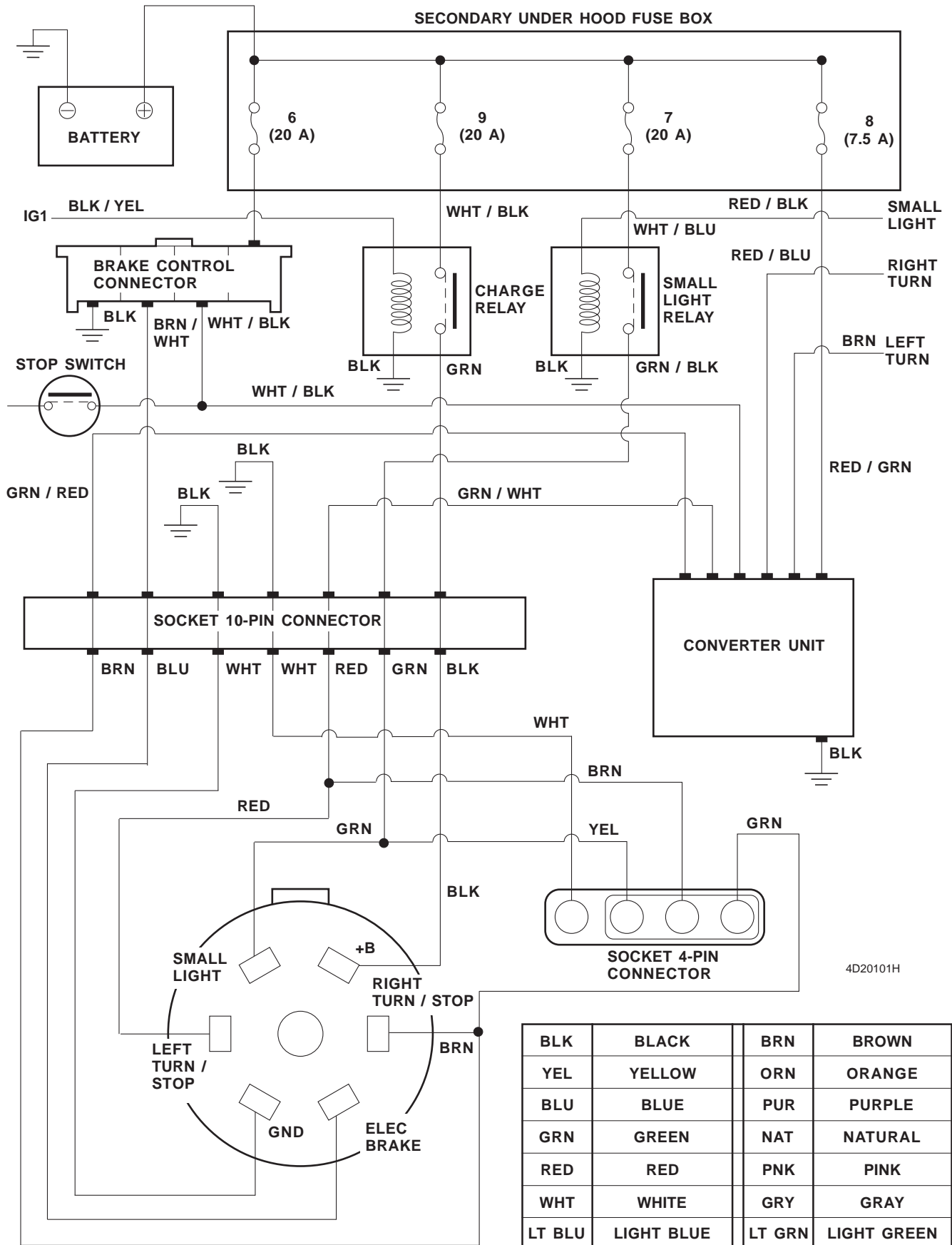


## CIRCUIT DIAGRAM (Vehicles produced on August 24, 2005 and later)



BLK	BLACK	BRN	BROWN
YEL	YELLOW	ORN	ORANGE
BLU	BLUE	PUR	PURPLE
GRN	GREEN	NAT	NATURAL
RED	RED	PNK	PINK
WHT	WHITE	GRY	GRAY
LT BLU	LIGHT BLUE	LT GRN	LIGHT GREEN

## CIRCUIT DIAGRAM (Vehicles produced prior to August 24, 2005)



4D20101H