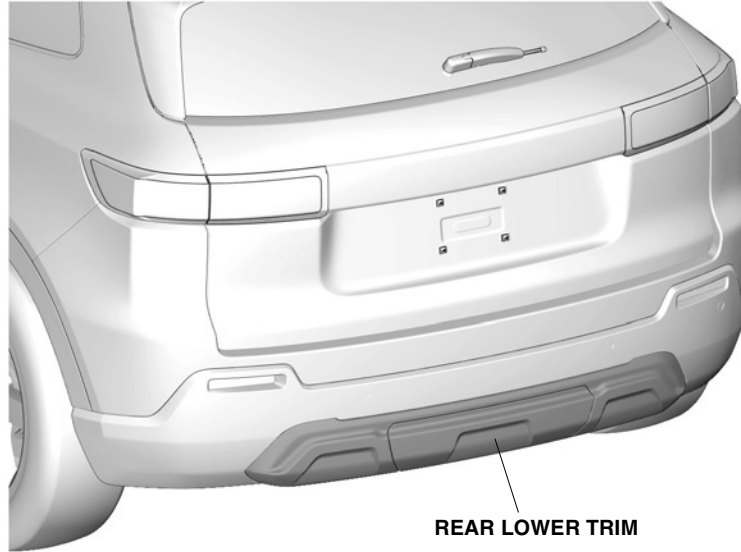




INSTALLATION INSTRUCTIONS

Accessory REAR LOWER TRIM	Application 2024 PROLOGUE MODEL SERIES	Publications No. VERSION 1
		Issue Date MAR 2024

GENERAL VIEW



REAR LOWER TRIM

QM00401AT

FOR YOUR SAFETY (Read carefully.)

Warning Symbols

Safety: Your safety, and the safety of others, is important. To help you make informed decisions about service procedures, we have provided safety messages where appropriate. Of course, it is not practical or possible to warn you about all the hazards associated with servicing a vehicle - you must use your own good judgment.

You will find important safety messages preceded by one of the following symbols:

*All symbols are not used in all installation instructions.

⚠ DANGER

You will be killed or seriously hurt if you do not follow the instructions.

⚠ WARNING

You can be killed or seriously hurt if you do not follow the instructions.

⚠ CAUTION

You can be hurt if you do not follow the instructions.

NOTICE

Gives advice to prevent damage to the product, vehicle, the environment or other property.

NOTE

Gives helpful information or instructions to be followed when installing this product.

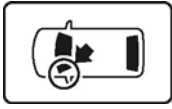


Indicates a prohibited action.

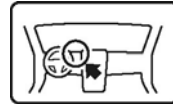
Procedure and Location Icons

These icons indicate the work location and the worker's point of view.

*All icons are not used in all installation instructions.



The location on the vehicle.



The location in the vehicle.
(Instrument panel.)



Wear eye protection.



Wear heavy gloves.



Use an assistant.



Place the part on a blanket.



Work perpendicular.



Remove any burrs.



Use touch-up paint and allow to dry.



Tighten to the specified torque.



Apply firm pressure while rolling, especially at the ends, to set the adhesive.



Press firmly.

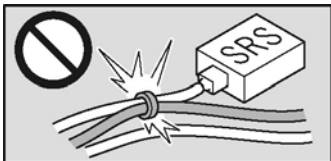


Clean with isopropyl alcohol.

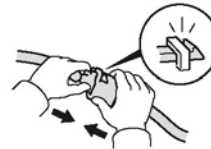


Return the original part to the customer.
(Do not reuse.)

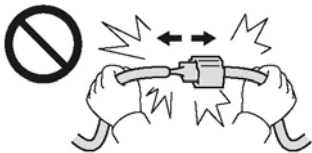
Wire Harness Routing Precaution



Do not secure the accessory harness to the SRS harness.
(except for instruction cases.)



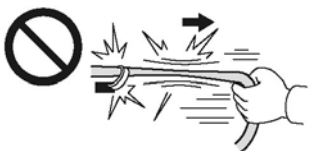
Push the connectors and terminals together until they lock.



Do not pull the harness to unplug the connectors.



Install removed connectors in their original location.



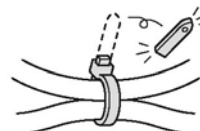
Do not pull the harness.



Secure the accessory harness as shown.



Do not pinch the harness.



Cut off the excess wire tie.

Safety: General

- Observe all safety notes and precautions described in the service information, in addition to those described in this Installation Instruction. Be extremely careful for your safety and the safety of others.
- Be careful not to damage the vehicle or the parts.
- Be extremely careful when handling retaining tabs and clips.
- Note the locations of the parts before removing them so they can be properly installed in their original positions.
- The illustrations may differ slightly from the actual accessory.

Safety: Electric Parts




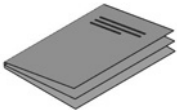
Always disconnect the negative cable from the battery before beginning work.

Safety: Accessory

Always use the parts and tools specified in the installation instructions.

PARTS LIST

Rear Lower Trim Kit (P/N 08F24-PS2-100)

Rear lower trim	Wire tie	Wire ties with clip (3) (Some may not be used)	Accessory User's Information Manual (May not be used)
			

REQUIRED TOOLS AND SUPPLIES

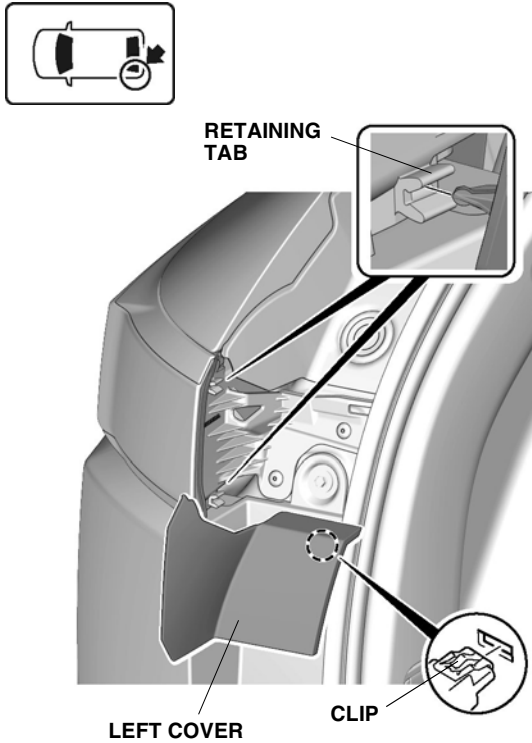
- Phillips screwdriver
- Utility knife
- File
- T15 and T20 TORX bits
- 10 mm Hex wrench
- 10 mm Open end wrench
- 7 mm and 10 mm Sockets
- Diagonal cutters
- Needle nose pliers
- Ratchet
- Masking tape
- Blanket
- Ruler

The following tools are available through the Honda Tool and Equipment Program:

- Trim Tool Set (T/N SOJATP2014)
- Plastic Trim Tool (T/N SILTRIMTL10)

INSTALLATION

1. Disconnect the 12V battery. Refer to the service information.
2. Remove the left cover.

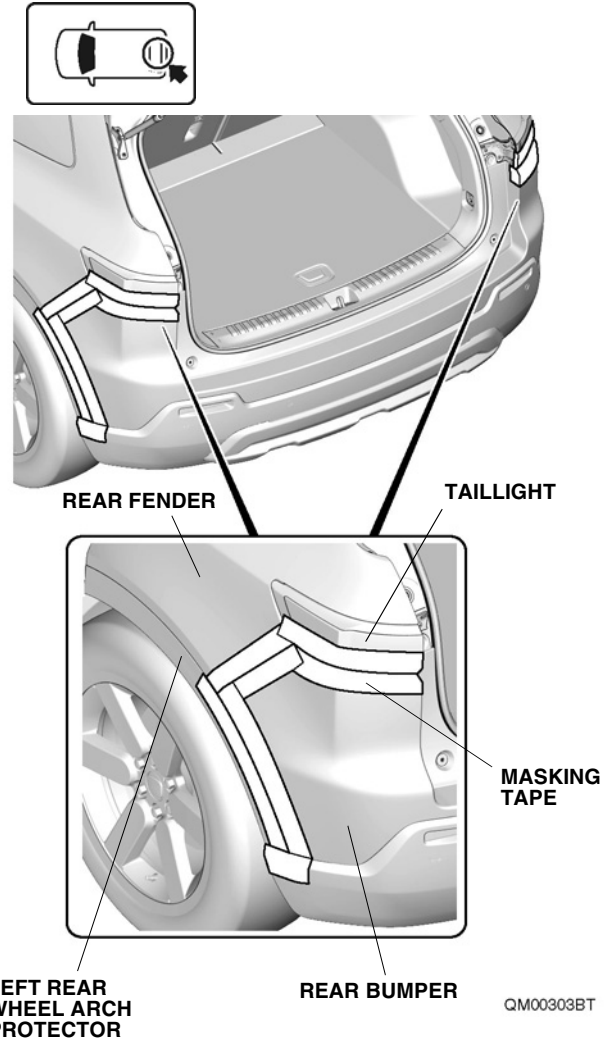


3. Repeat step 2 on the other side.

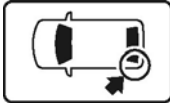
4. Attach masking tape to protect the vehicle.

NOTE

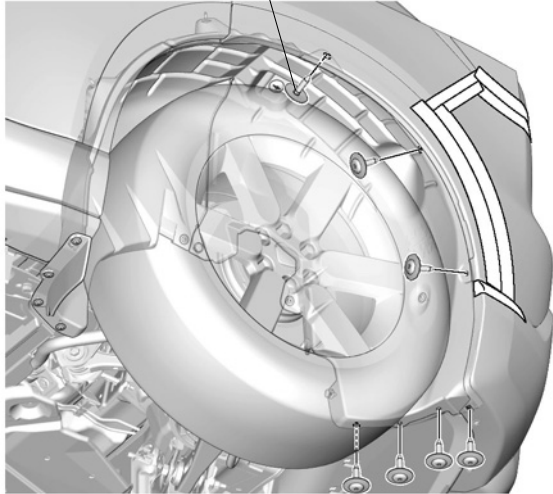
Do not remove the masking tape until after the parts are installed.



5. Remove the self-tapping screws.



7 SELF-TAPPING
SCREWS

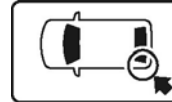


QM00309CT

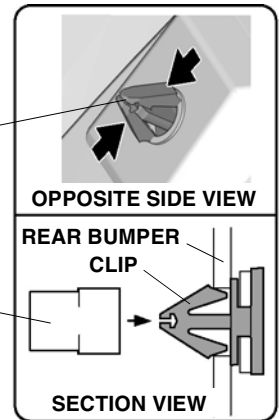
6. Release the left rear wheel arch protector.

NOTICE

- Be careful not to damage the clips.
- If you cannot release a clip using the 7 mm socket, use a trim tool.

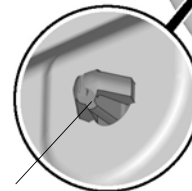


3 CLIPS
(Use a 7 mm socket
to release the clips.)

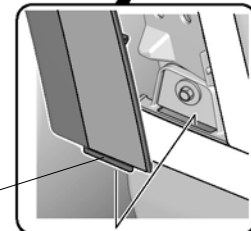


LEFT REAR
WHEEL ARCH
PROTECTOR

LEFT REAR
INNER
FENDER



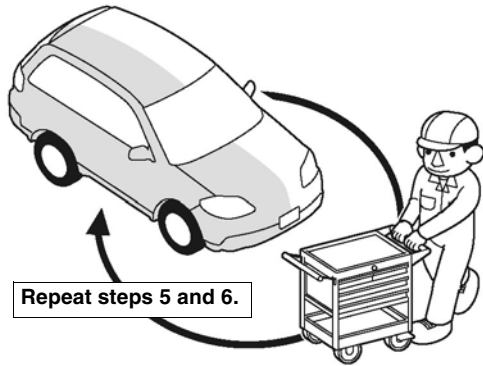
CLIP
OPPOSITE
SIDE VIEW



RETAINING
TAB

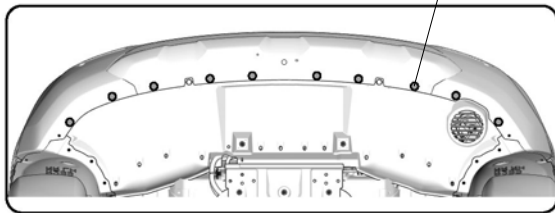
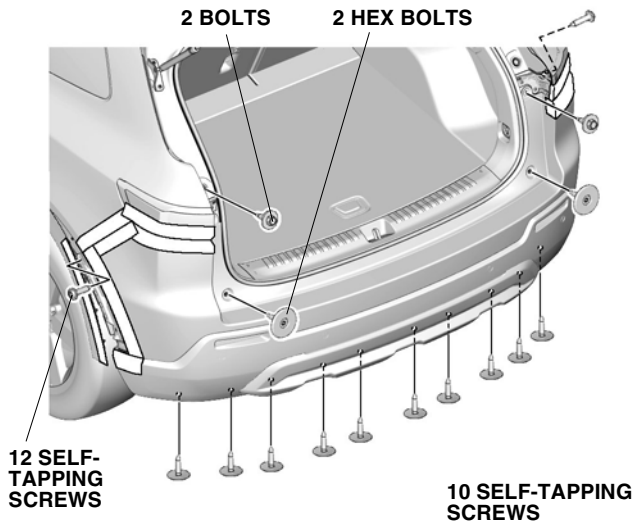
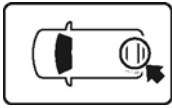
QM00305ET

7. Repeat the same procedures on the other side.



Q9D1014AM

8. Remove the bolts and self-tapping screws.

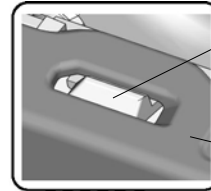
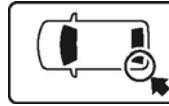


QM00306CT

9. Release the retaining tabs.

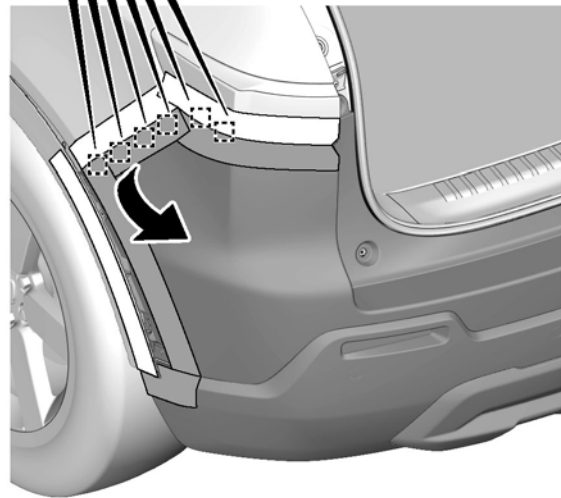
NOTE

- Release the retaining tabs starting from outside working in.
- Make sure to release the retaining tabs in the correct orientation.



6 RETAINING TABS

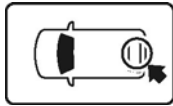
REAR BUMPER



QM00307CT

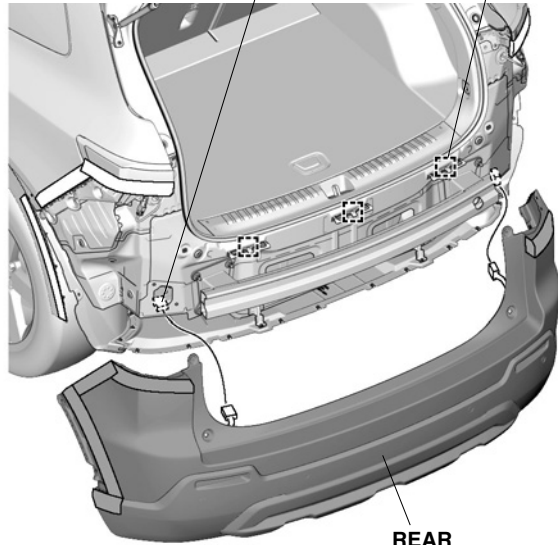
10. Repeat step 9 on the other side.

11. Remove the rear bumper.



VEHICLE CONNECTORS

3 RETAINING TABS



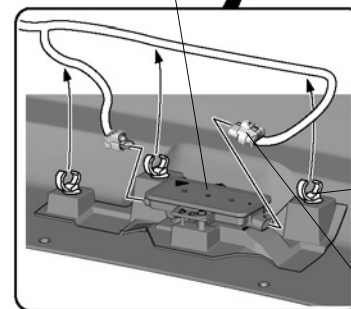
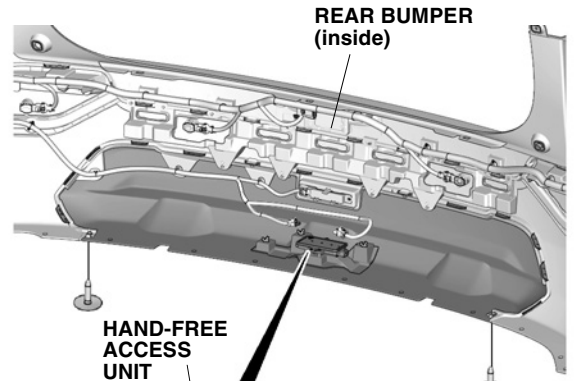
REAR BUMPER

QM00308CT

12. Remove the self-tapping screws and vehicle harness (with hands-free access).

NOTE

Be careful not to damage the vehicle harness.



HAND-FREE ACCESS UNIT

2 SELF-TAPPING SCREWS

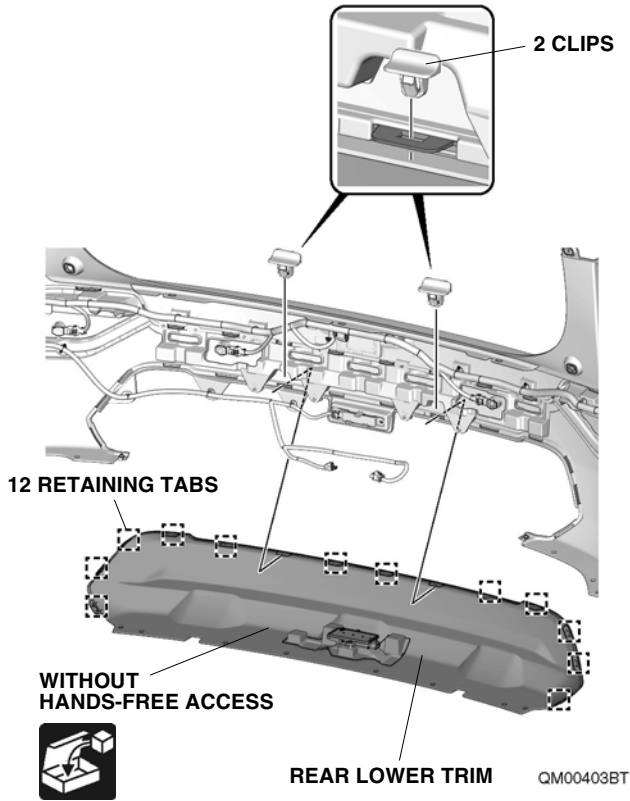
3 VEHICLE CLIPS

WITH HANDS-FREE ACCESS

VEHICLE CONNECTORS

QM00402BT

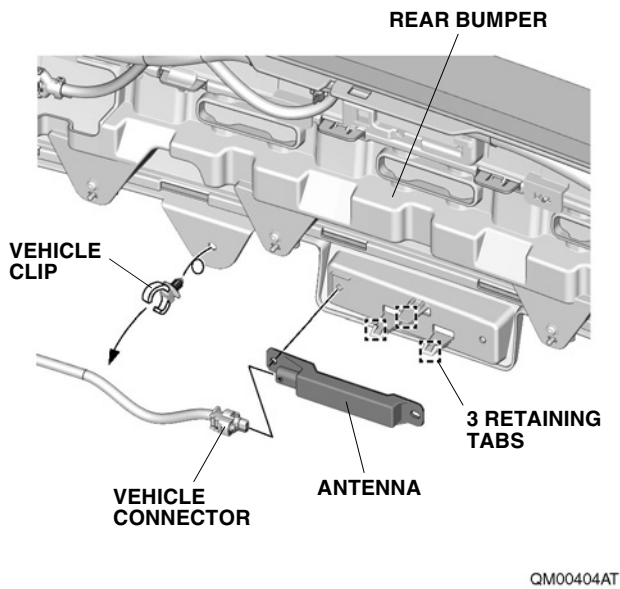
13. Remove the rear lower trim.



14. Remove the antenna.

NOTE

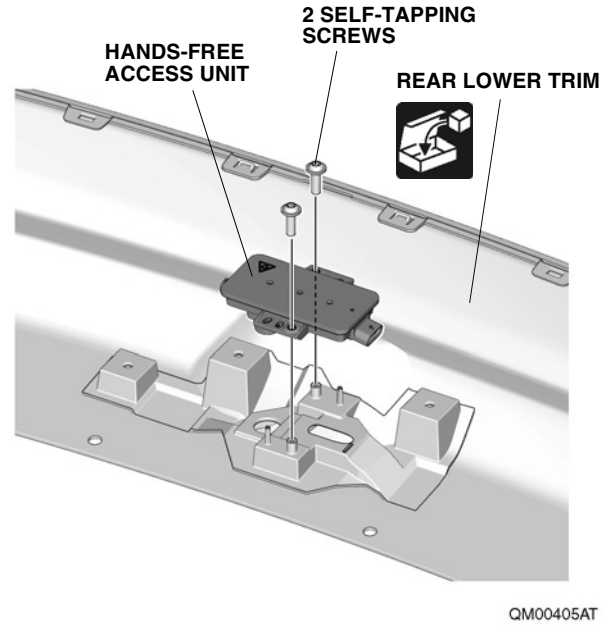
Be careful not to damage the vehicle harness.



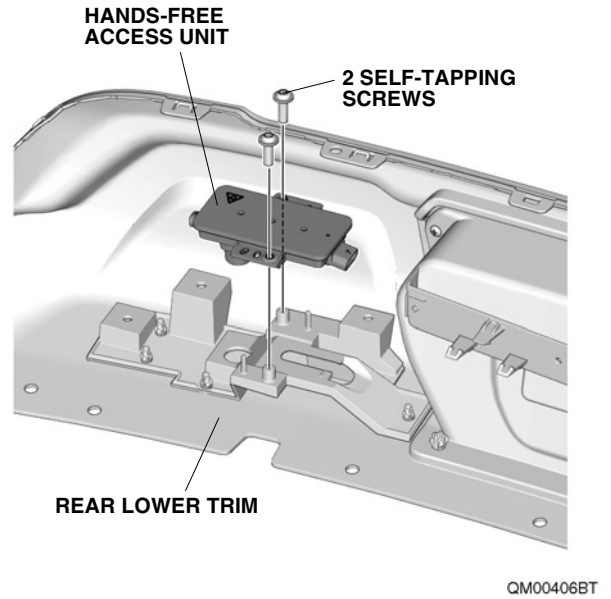
15. Choose one of these options.

- With hands-free access Go to step 16
- Without hands-free access Go to step 18

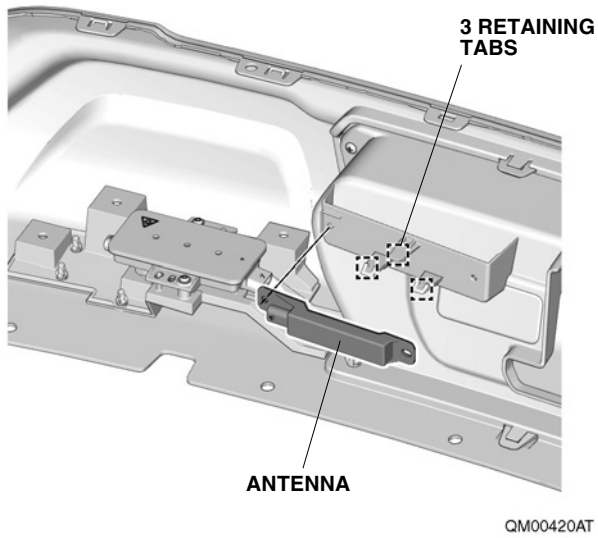
16. Remove the hands-free access unit.



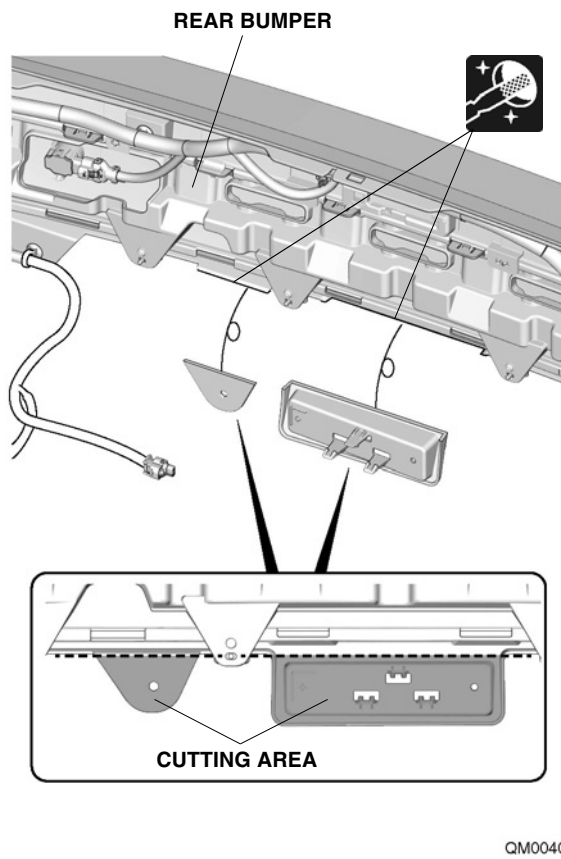
17. Install the hands-free access unit.



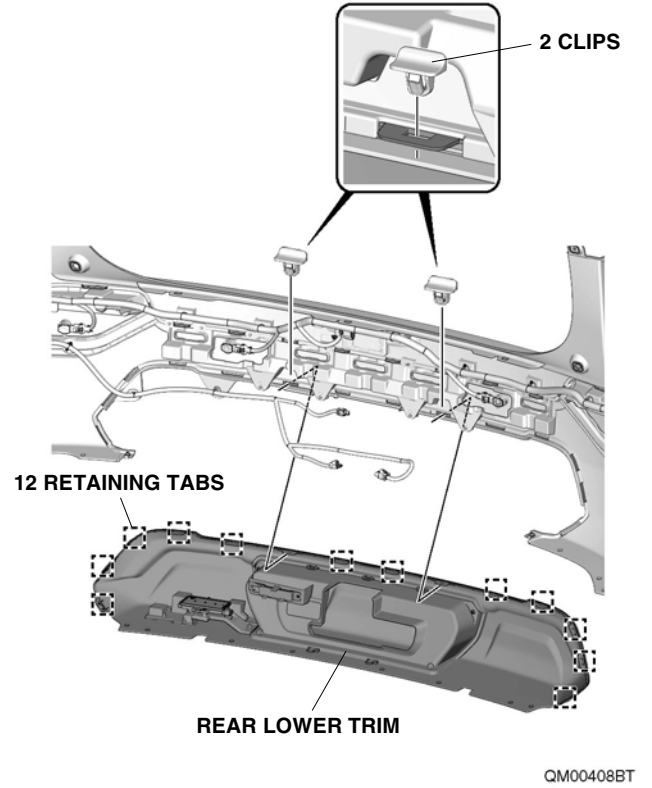
18. Install the antenna.



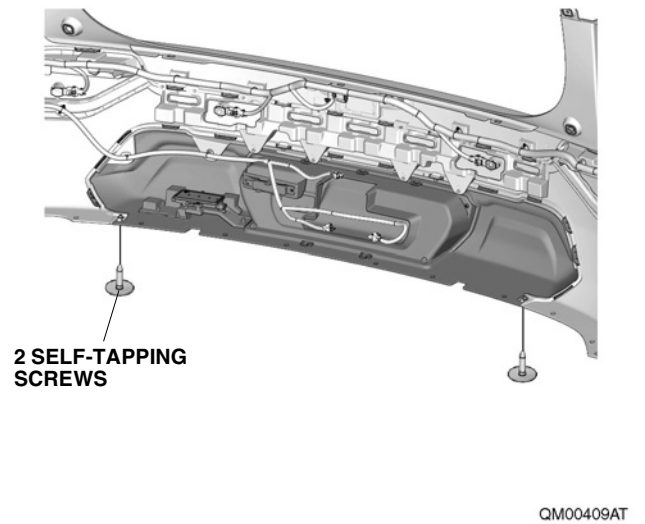
19. Cut the rear bumper.



20. Install the rear lower trim.



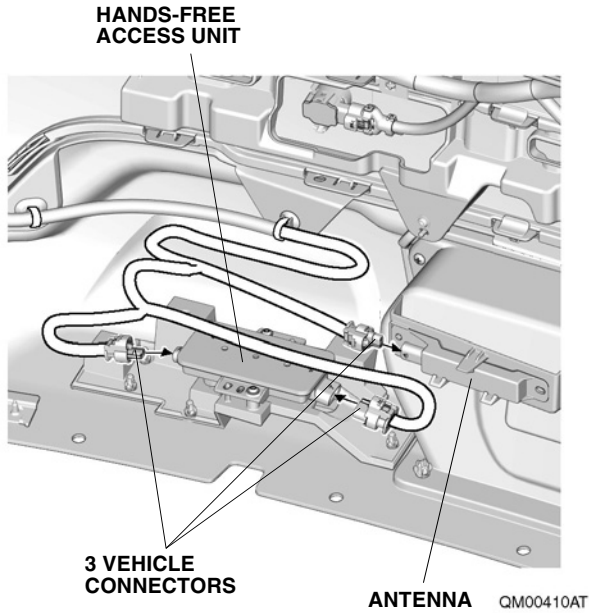
21. Secure the rear lower trim.



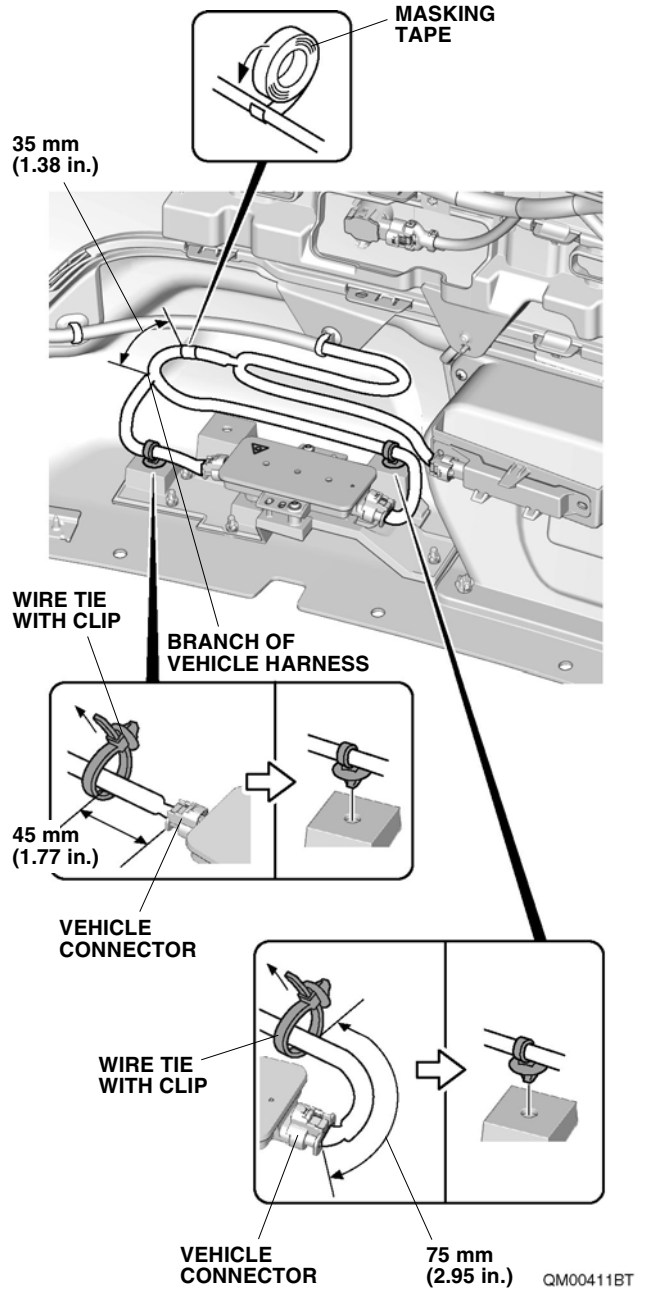
22. Choose one of these options.

- | | |
|-----------------------------|---------------|
| • With hands-free access | Go to step 23 |
| • Without hands-free access | Go to step 27 |

23. Plug the vehicle connectors.

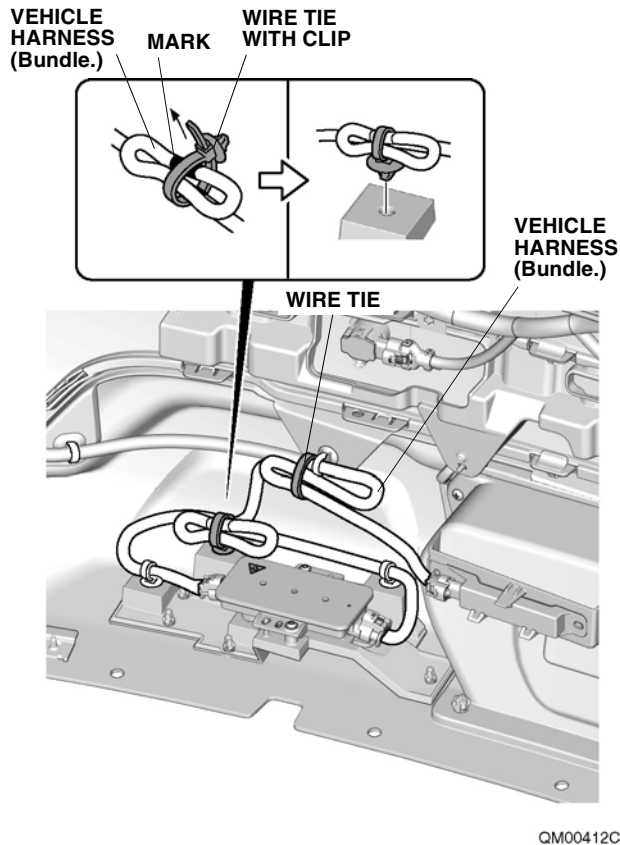


24. Secure the vehicle harness.



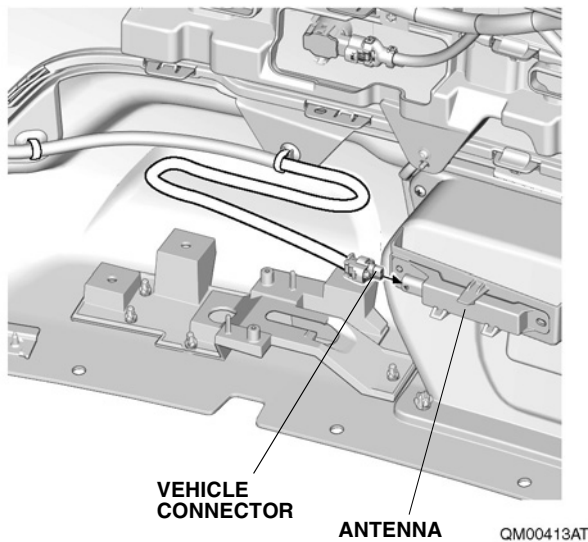
25. Mark the vehicle harness.

26. Secure the vehicle harness.

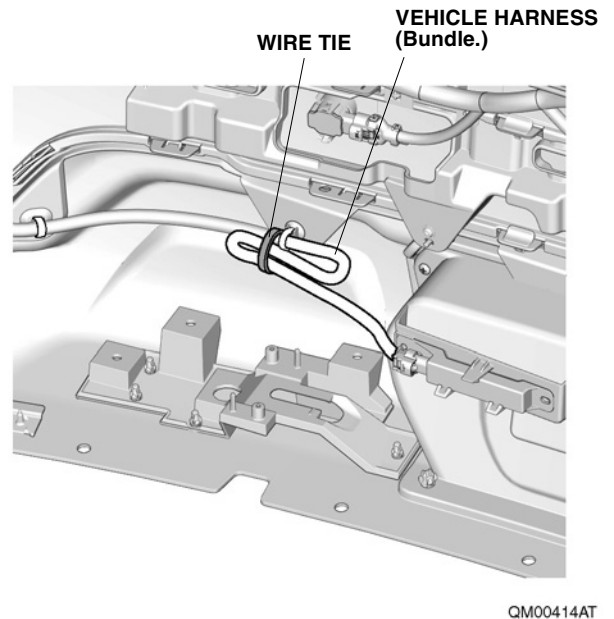


Go to step 29

27. Plug the vehicle connector.



28. Secure the vehicle harness.



29. Check that all parts are installed and properly routed.

NOTE

- Check that all harnesses are not pulled or pinched.
- Make sure all clips and wire ties are securely installed.

30. Install all removed parts.
31. Connect the 12V battery. Refer to the service information.
32. Make sure all accessories and systems operate properly.
33. If necessary, restore the systems back to normal operation as described in the service information.
34. Press and hold the audio unit power button for 2 seconds to restore the audio and navi (if equipped) system functions.