

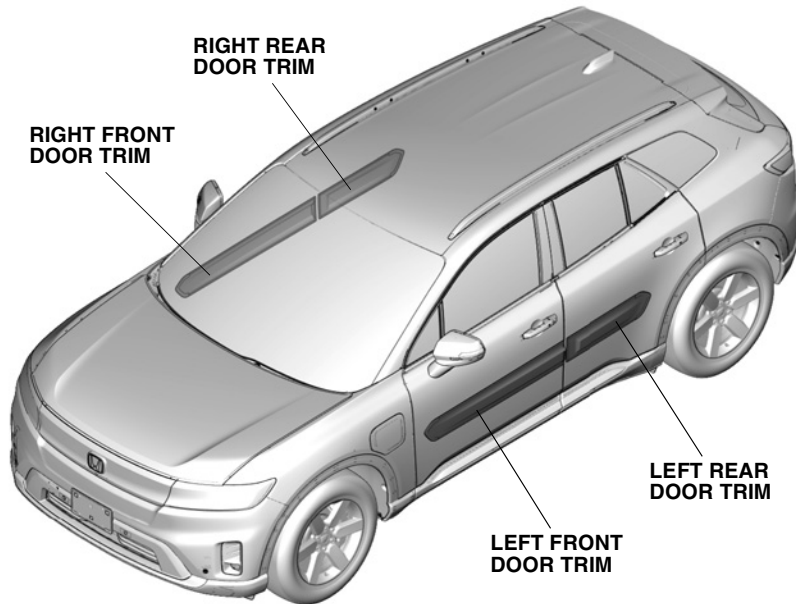


## INSTALLATION INSTRUCTIONS

<p>Accessory</p> <p>MID DOOR TRIMS</p>	<p>Application</p> <p>2024 PROLOGUE</p> <p>MODEL SERIES</p>	<p>Publications No.</p> <p>VERSION 1</p>
		<p>Issue Date</p> <p>MAR 2024</p>

### GENERAL VIEW

If you are also installing the door edge films (sold separately), install them before you install the mid door trims.



QMN0101AH

### FOR YOUR SAFETY (Read carefully.)

#### Warning Symbols

Safety: Your safety, and the safety of others, is important. To help you make informed decisions about service procedures, we have provided safety messages where appropriate. Of course, it is not practical or possible to warn you about all the hazards associated with servicing a vehicle - you must use your own good judgment.

You will find important safety messages preceded by one of the following symbols:

\*All symbols are not used in all installation instructions.

**⚠ DANGER**

You will be killed or seriously hurt if you do not follow the instructions.

**⚠ WARNING**

You can be killed or seriously hurt if you do not follow the instructions.

**⚠ CAUTION**

You can be hurt if you do not follow the instructions.

**NOTICE**

Gives advice to prevent damage to the product, vehicle, the environment or other property.

**NOTE**

Gives helpful information or instructions to be followed when installing this product.

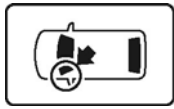


Indicates a prohibited action.

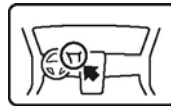
## Procedure and Location Icons

These icons indicate the work location and the worker's point of view.

\*All icons are not used in all installation instructions.



The location on the vehicle.



The location in the vehicle.  
(Instrument panel.)



Wear eye protection.



Wear heavy gloves.



Use an assistant.



Place the part on a blanket.



Work perpendicular.



Remove any burrs.



Use touch-up paint and allow to dry.



Tighten to the specified torque.



Apply firm pressure while rolling, especially at the ends, to set the adhesive.



Press firmly.



Clean with isopropyl alcohol.



Return the original part to the customer.  
(Do not reuse.)

## Safety: General

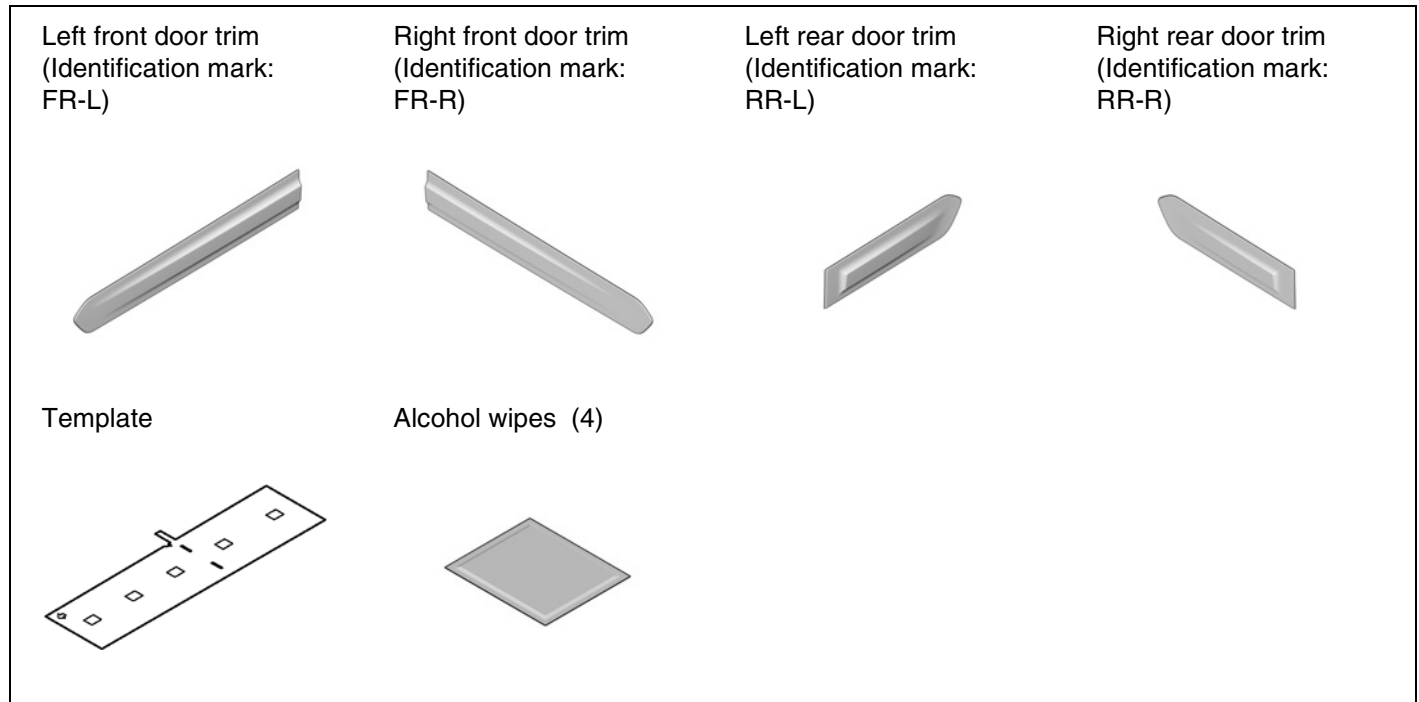
- Be careful not to damage the vehicle or the parts.
- The illustrations may differ slightly from the actual accessory.

## Safety: Accessory

- Always use the parts and tools specified in the installation instructions.
- Do not install the accessory on a dirty surface or in direct sunlight.
- Make sure the ambient air temperature is 60°F (15°C) or above when installing accessories that use adhesive material.
- When pressing the accessory firmly with the palm of your hand, be careful not to damage it or the vehicle.
- When applying adhesive material, make sure it is lined up properly before attaching. Once the adhesive material touches the surface, do not try to remove it. If you do, you could damage the part.
- Do not wash the vehicle for 24 hours to allow the adhesive to cure.

## PARTS LIST

Mid Door Trim Kit (P/N 08F57-PS2-100A)



## REQUIRED TOOLS AND SUPPLIES

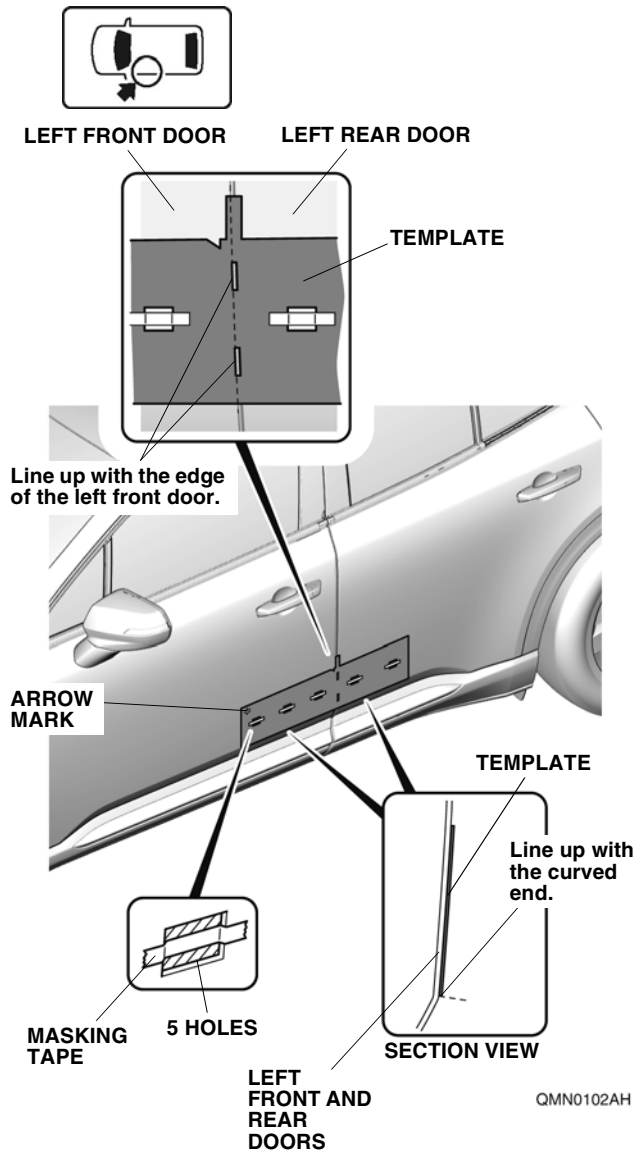
Masking tape

The following tool is available through the Honda Tool and Equipment Program:

Rubber Roller (T/N NHLE54D)

## INSTALLATION

1. Secure the template.

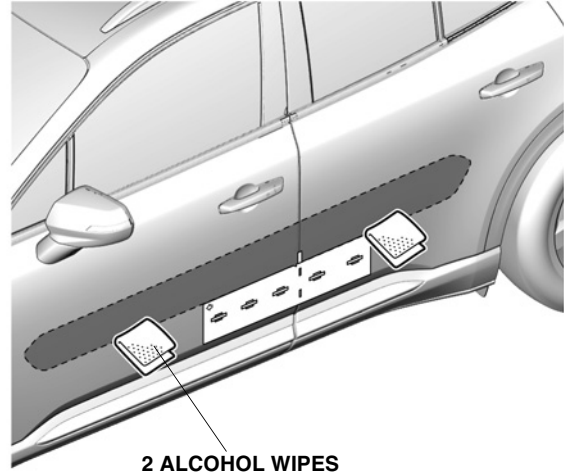


QMN0102AH

2. Clean the attaching area.

### NOTE

Allow to dry thoroughly.



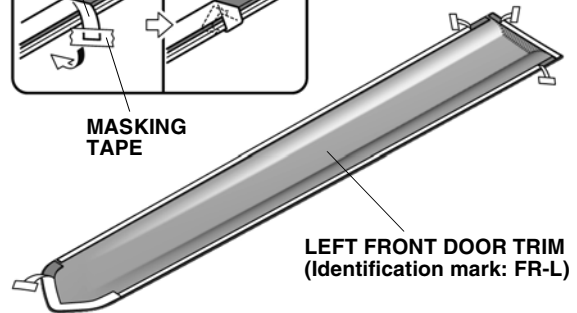
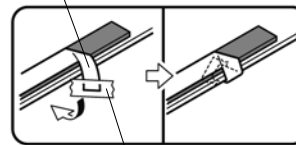
QMN0103AH

3. Temporarily attach the adhesive backings.

### NOTE

Make sure to check the identification mark before installation.

### 4 ADHESIVE BACKINGS (Attach.)

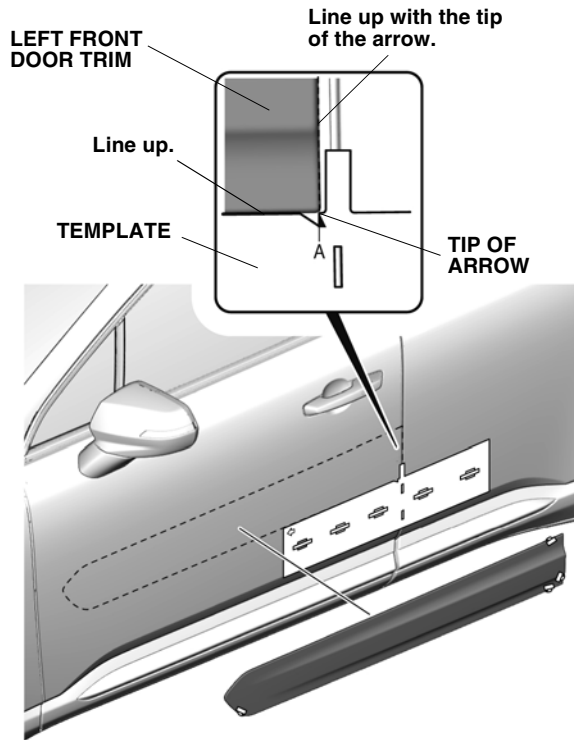


QMN0104AH

4. Choose one of these options.

- With door edge guards or door edge films  
Go to step 5
- Without door edge guards or door edge films  
Go to step 6

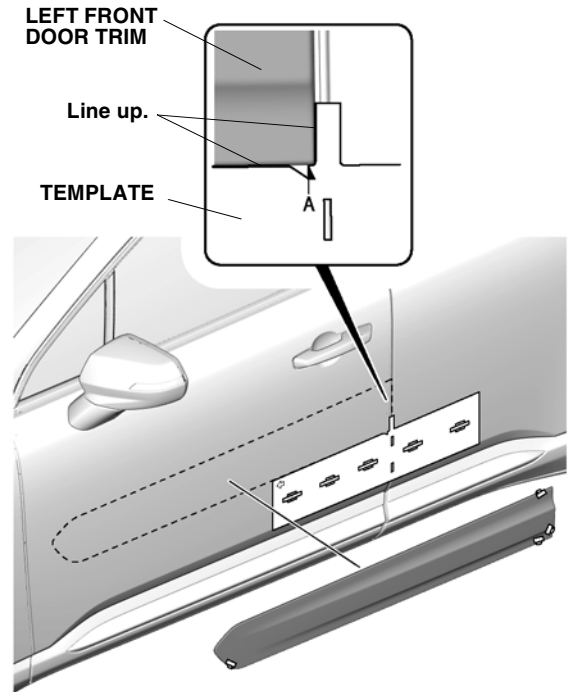
5. Line up the left front door trim.



QMN0105AH

Go to step 7

6. Line up the left front door trim.

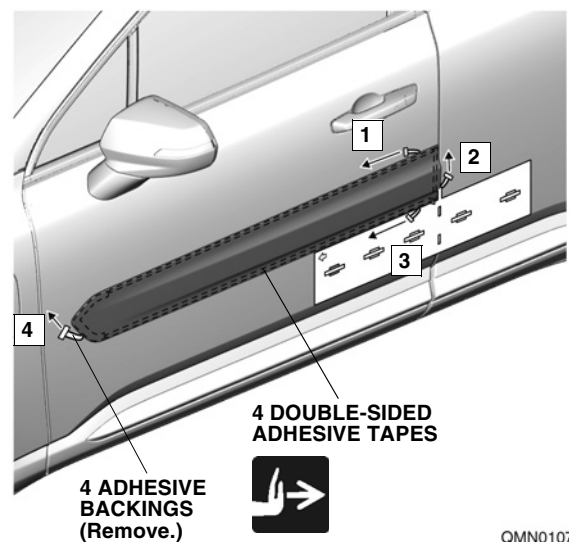


QMN0106BH

7. Secure the left front door trim.

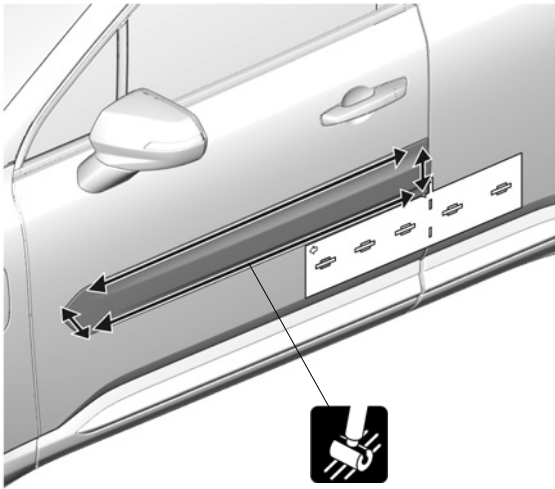
## NOTE

- Check the position of the double-sided adhesive tapes and make sure to press firmly.
- Install in the order shown.



QMN0107AH

8. Secure the left front door trim.



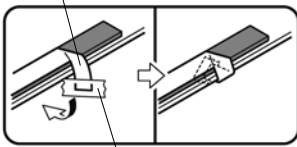
QMN0108BH

9. Temporarily attach the adhesive backings.

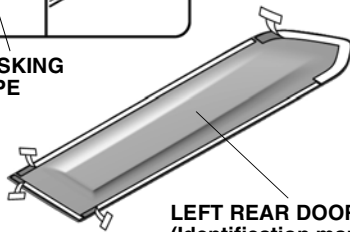
## NOTE

Make sure to check the identification mark before installation.

4 ADHESIVE BACKINGS (Attach.)



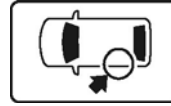
MASKING TAPE



LEFT REAR DOOR TRIM (Identification mark: RR-L)

QMN0109AH

10. Line up the left rear door trim.

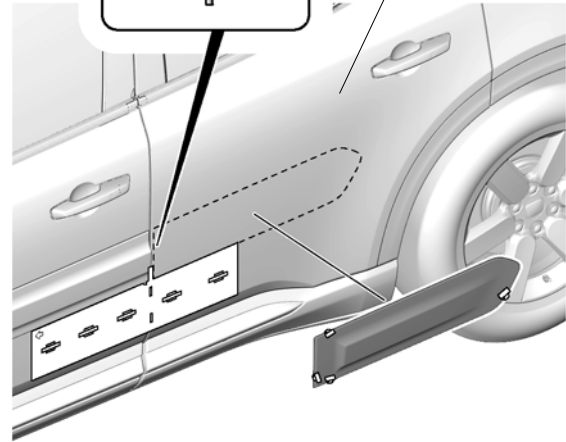


LEFT REAR DOOR TRIM

Line up.

TEMPLATE

LEFT REAR DOOR

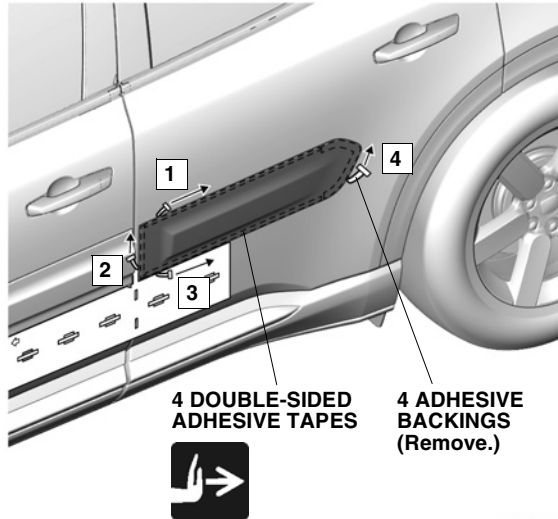


QMN0110AH

11. Secure the left rear door trim.

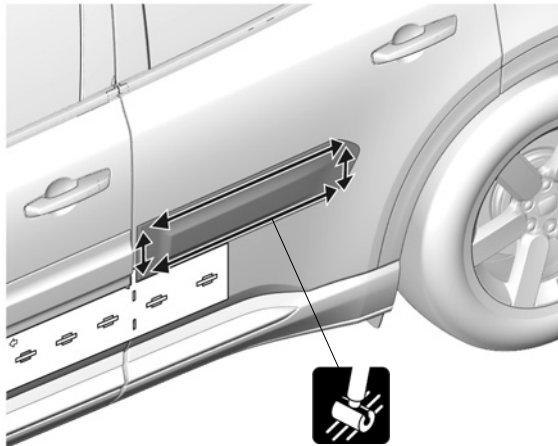
## NOTE

- Check the position of the double-sided adhesive tapes and make sure to press firmly.
- Install in the order shown.



QMN0111AH

12. Secure the left rear door trim.

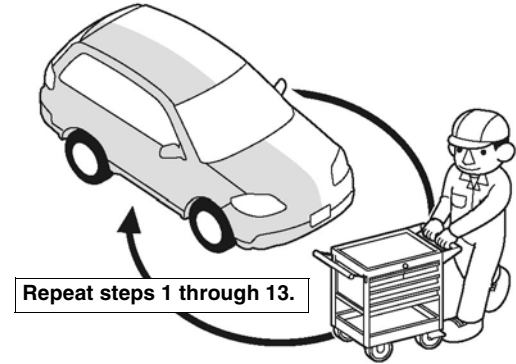


QMN0112BH

13. Remove the template.

14. Flip the template.

15. Repeat the same procedures on the other side.



Q9D1014AM

16. Check that all parts are installed properly.