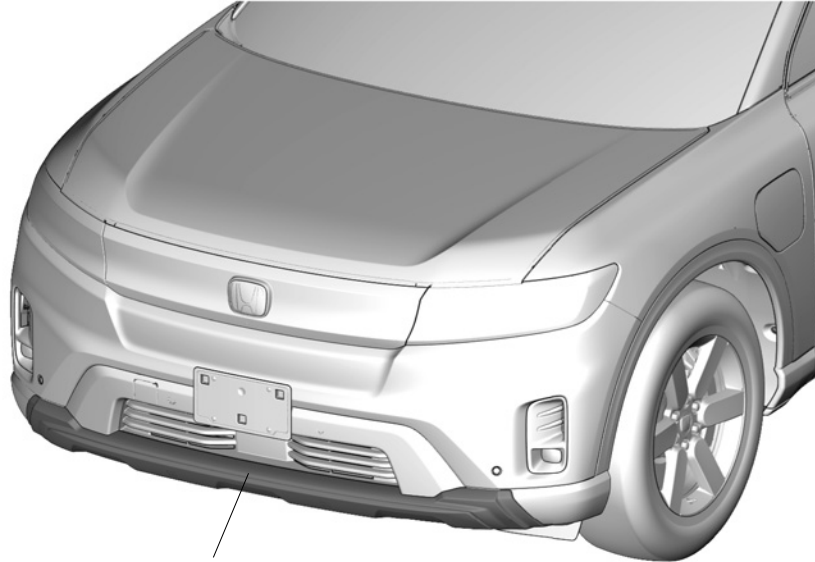




INSTALLATION INSTRUCTIONS

<p style="text-align: center;">Accessory</p> <p style="text-align: center;">FRONT LOWER TRIM</p>	<p style="text-align: center;">Application</p> <p style="text-align: center;">2024 PROLOGUE MODEL SERIES</p>	<p style="text-align: center;">Publications No.</p> <p style="text-align: center;">VERSION 1</p>
		<p style="text-align: center;">Issue Date</p> <p style="text-align: center;">MAR 2024</p>

GENERAL VIEW



LOWER TRIM

QMN0314BH

FOR YOUR SAFETY (Read carefully.)

Warning Symbols

Safety: Your safety, and the safety of others, is important. To help you make informed decisions about service procedures, we have provided safety messages where appropriate. Of course, it is not practical or possible to warn you about all the hazards associated with servicing a vehicle - you must use your own good judgment.

You will find important safety messages preceded by one of the following symbols:

*All symbols are not used in all installation instructions.

⚠ DANGER

You will be killed or seriously hurt if you do not follow the instructions.

⚠ WARNING

You can be killed or seriously hurt if you do not follow the instructions.

⚠ CAUTION

You can be hurt if you do not follow the instructions.

NOTICE

Gives advice to prevent damage to the product, vehicle, the environment or other property.

NOTE

Gives helpful information or instructions to be followed when installing this product.

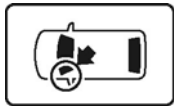


Indicates a prohibited action.

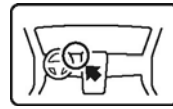
Procedure and Location Icons

These icons indicate the work location and the worker's point of view.

*All icons are not used in all installation instructions.



The location on the vehicle.



The location in the vehicle.
(Instrument panel.)



Wear eye protection.



Wear heavy gloves.



Use an assistant.



Place the part on a blanket.



Work perpendicular.



Remove any burrs.



Use touch-up paint and allow to dry.



Tighten to the specified torque.



Apply firm pressure while rolling, especially at the ends, to set the adhesive.



Press firmly.

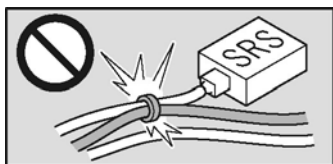


Clean with isopropyl alcohol.

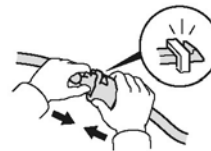


Return the original part to the customer.
(Do not reuse.)

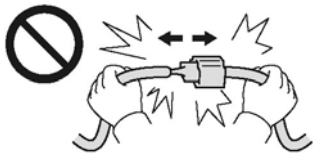
Wire Harness Routing Precaution



Do not secure the accessory harness to the SRS harness.
(except for instruction cases.)



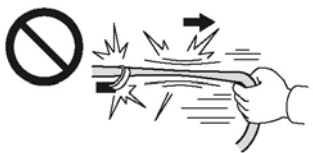
Push the connectors and terminals together until they lock.



Do not pull the harness to unplug the connectors.



Install removed connectors in their original location.



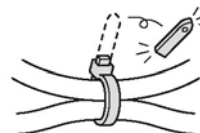
Do not pull the harness.



Secure the accessory harness as shown.



Do not pinch the harness.



Cut off the excess wire tie.

Safety: General

- Observe all safety notes and precautions described in the service information, in addition to those described in this Installation Instruction. Be extremely careful for your safety and the safety of others.
- Be careful not to damage the vehicle or the parts.
- Be extremely careful when handling retaining tabs and clips.
- Note the locations of the parts before removing them so they can be properly installed in their original positions.
- The illustrations may differ slightly from the actual accessory.

Safety: Electric Parts





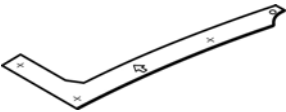



Always disconnect the negative cable from the battery before beginning work.

Safety: Accessory

- Always use the parts and tools specified in the installation instructions.
- Do not install the accessory on a dirty surface or in direct sunlight.
- Make sure the ambient air temperature is 60°F (15°C) or above when installing accessories that use adhesive material.
- When pressing the accessory firmly with the palm of your hand, be careful not to damage it or the vehicle.
- When applying adhesive material, make sure it is lined up properly before attaching. Once the adhesive material touches the surface, do not try to remove it. If you do, you could damage the part.
- Do not wash the vehicle for 24 hours to allow the adhesive to cure.

PARTS LIST

Front Lower Trim Kit (P/N 08F23-PS2-100A)

Lower trim	Bolts (4)	Nuts (6)	Clips (2)
			
Template A	Template B	Alcohol wipes (2)	Flange bolts (2)
			

REQUIRED TOOLS AND SUPPLIES

- 10 mm Open end wrench
- T15 TORX bit
- Masking tape
- Drill
- Eye protection
(face shield, safety goggles, etc.)
- Ratchet
- File
- Diagonal cutters
- Hex wrench
- 7 mm, 8 mm, and 10 mm Sockets
- Pushpin
- Blanket
- 3 mm, 6 mm, 8 mm, and 10 mm
Drill bits

The following tools are available through the Honda Tool and Equipment Program:

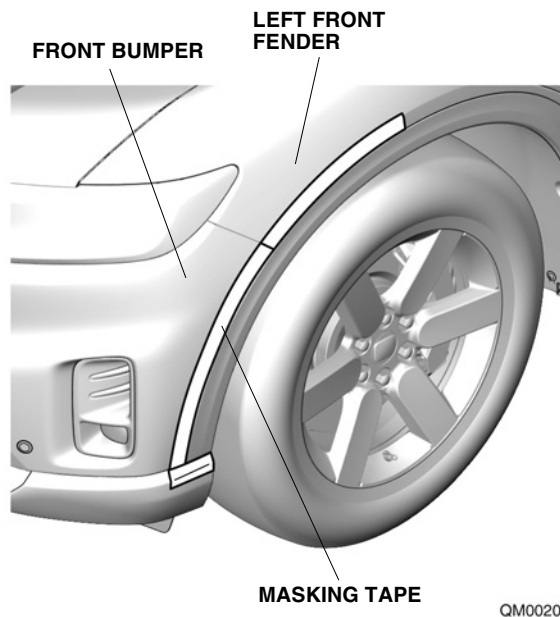
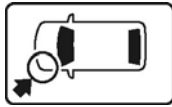
- Trim Tool Set (T/N SOJATP2014)
- Rubber Roller (T/N MHLE54D)
- Plastic Trim Tool
(T/N SILTRIMTL10)

INSTALLATION

1. Disconnect the 12V battery. Refer to the service information.
2. Attach the tapes to protect the vehicle.

NOTE

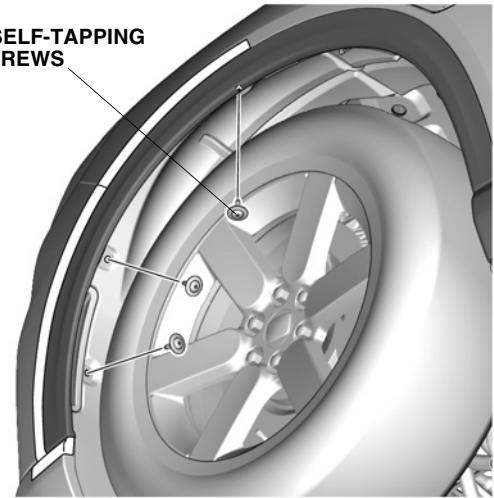
Do not remove the masking tape until after the parts are installed.



3. Remove the self-tapping screws.



3 SELF-TAPPING SCREWS

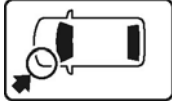


QM00201BH

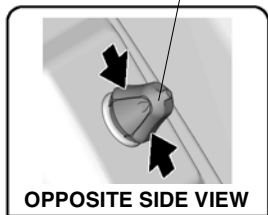
4. Release the left front wheel arch protector.

NOTICE

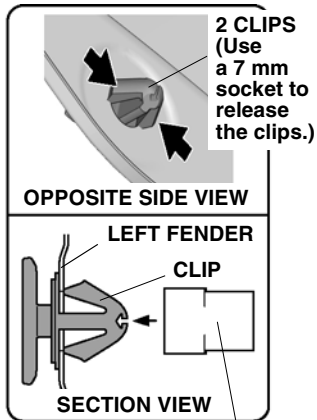
- Be careful not to damage the clips.
- If you cannot release a clip using the 7 mm socket, use a trim tool.



4 CLIPS
(Use a 7 mm socket
to release the clips.)



OPPOSITE SIDE VIEW

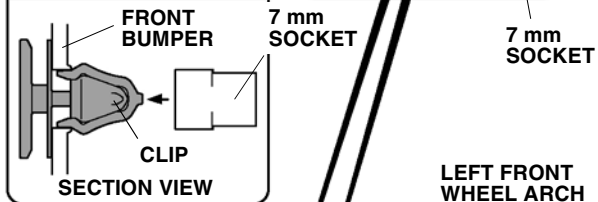


OPPOSITE SIDE VIEW

LEFT FENDER

CLIP

SECTION VIEW



FRONT BUMPER

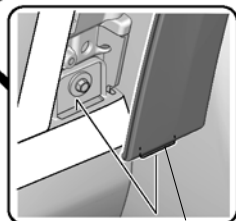
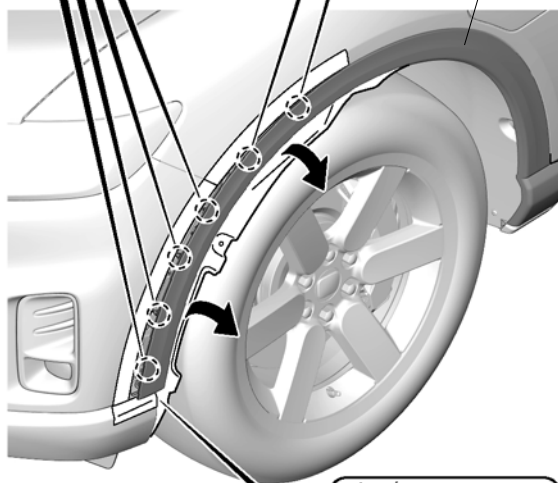
7 mm SOCKET

CLIP

SECTION VIEW

7 mm SOCKET

LEFT FRONT
WHEEL ARCH
PROTECTOR



RETAINING TAB

QM00203EH

5. Remove the bolt and washer.

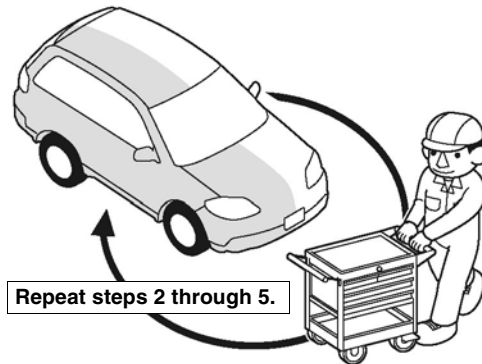


WASHER

BOLT

QM00204BH

6. Repeat the same procedures on the other side.



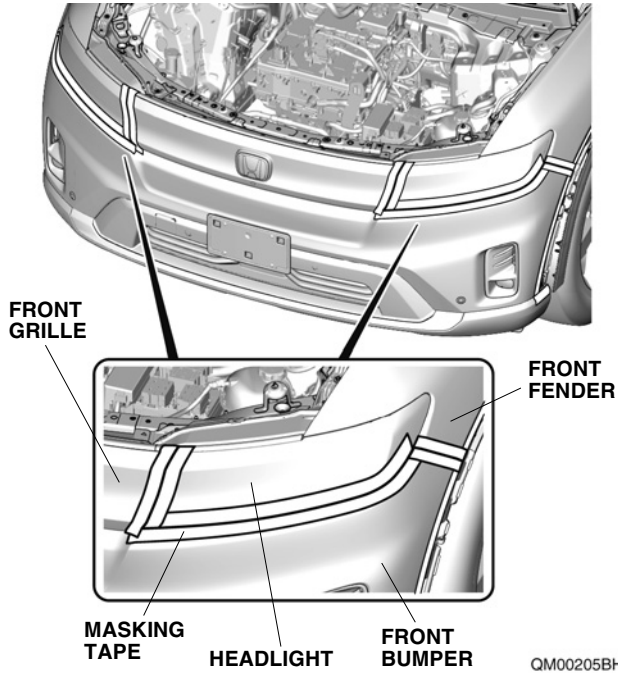
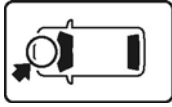
Repeat steps 2 through 5.

Q9D1014AM

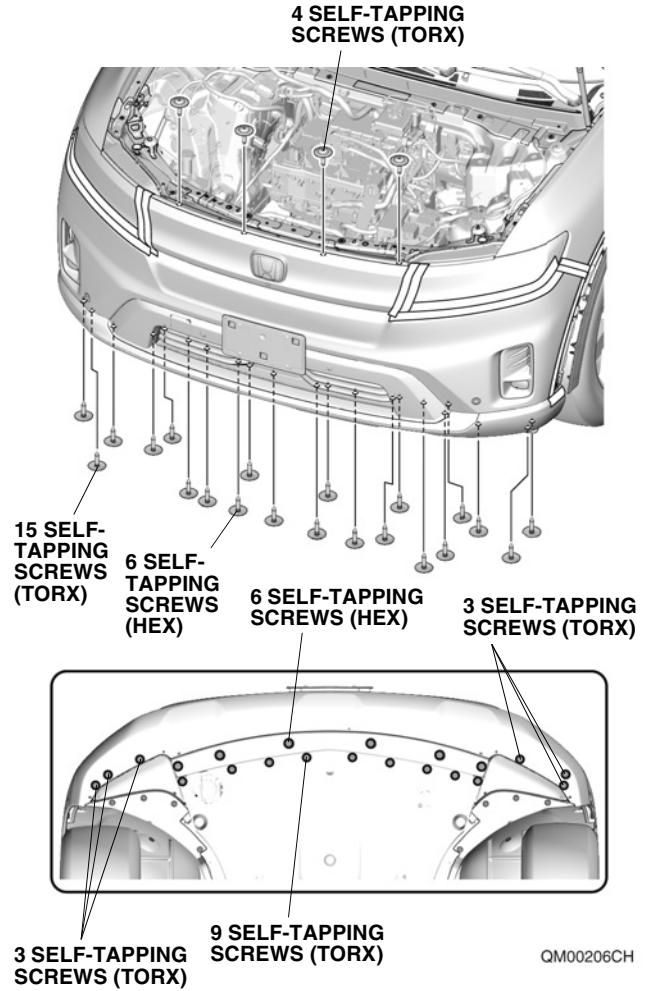
7. Attach the masking tape to protect the vehicle.

NOTE

Do not remove the tapes until after the reinstallation.



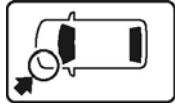
8. Remove the self-tapping screws.



9. Release the retaining tabs.

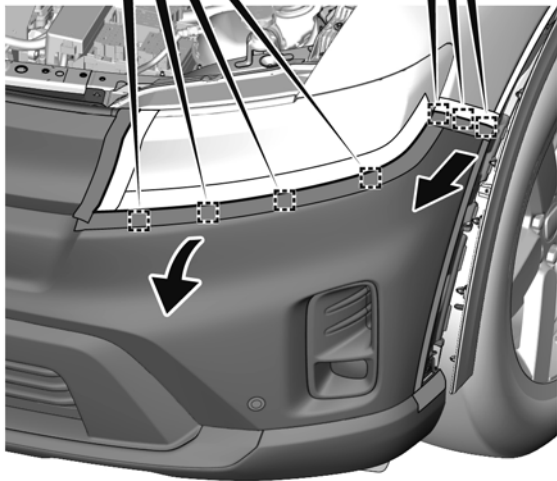
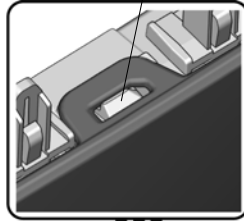
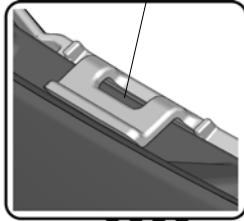
NOTE

- Release the retaining tabs in order from outside.
- Make sure to release the retaining tabs in the correct orientation.



4 RETAINING
TABS

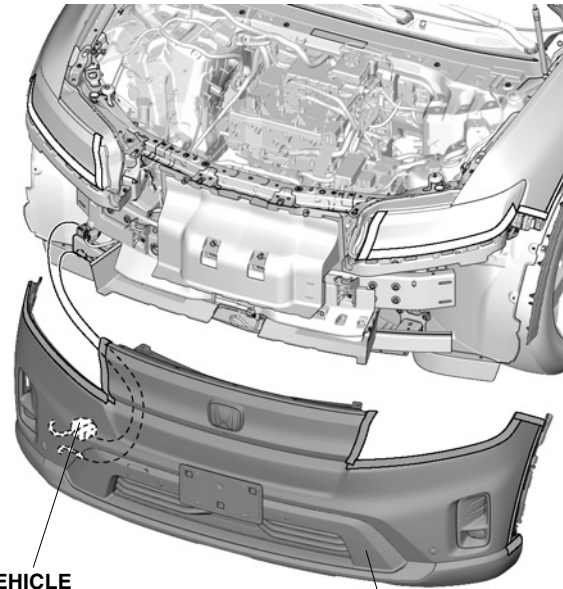
3 RETAINING
TABS



QM00207BH

10. Repeat step 9 on the other side.

11. Remove the front bumper.



VEHICLE
CONNECTORS
(if equipped)

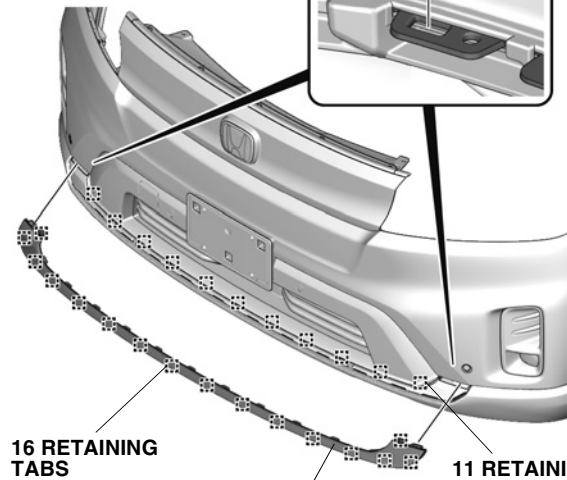
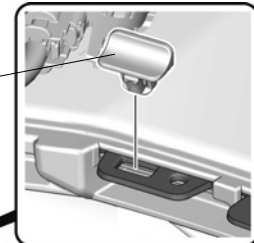
FRONT
BUMPER

QM00208BH

12. Remove the clips.

OPPOSITE
SIDE VIEW

2 CLIPS



16 RETAINING
TABS

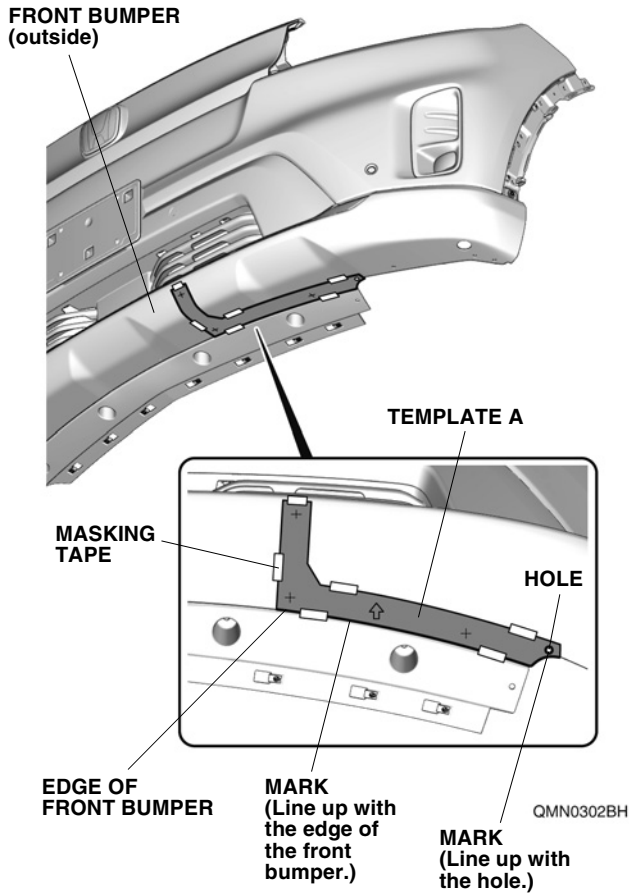
MOLDING

11 RETAINING
TABS

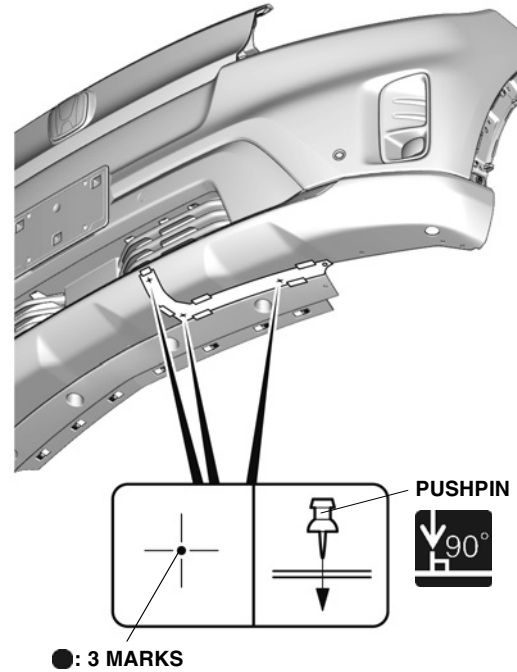
QMN0301AH



13. Secure the template A.



14. Pierce the front bumper.

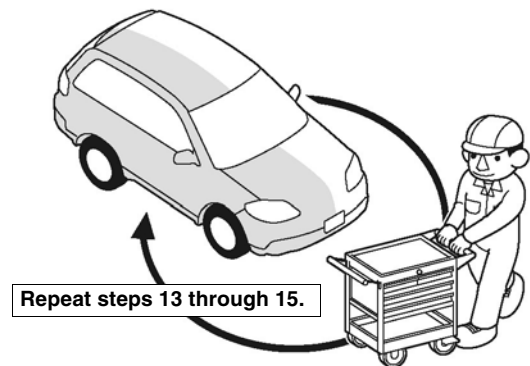


QMN0303BH

15. Remove the template A.

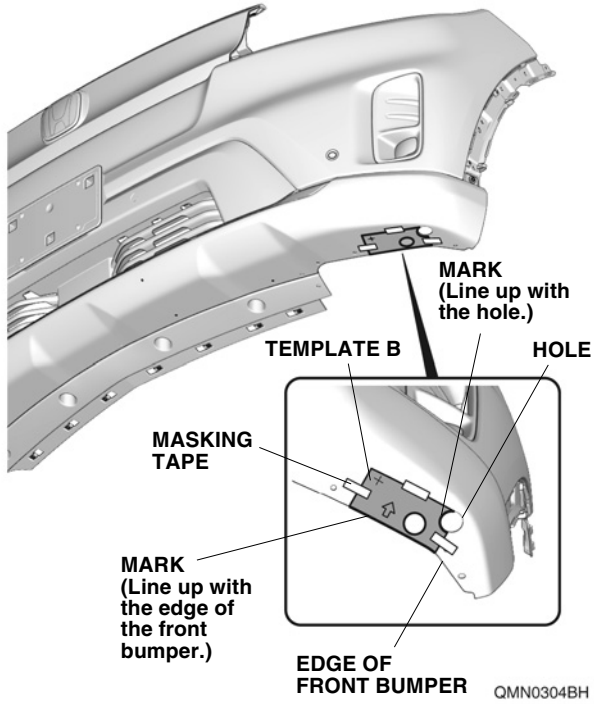
16. Flip the template A.

17. Repeat the same procedures on the other side.

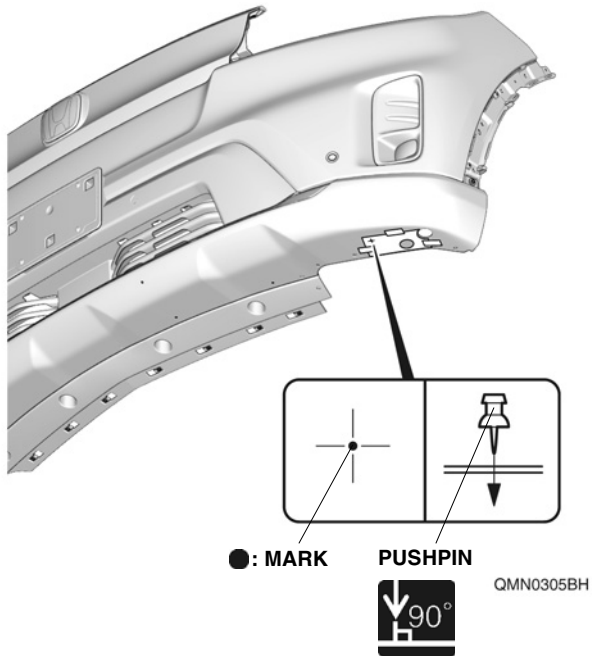


Q9D1014AM

18. Secure the template B.



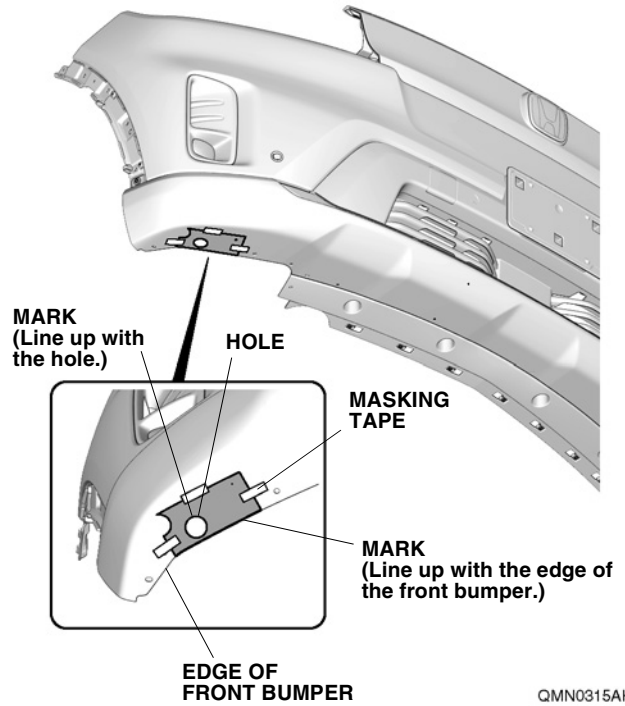
19. Pierce the front bumper.



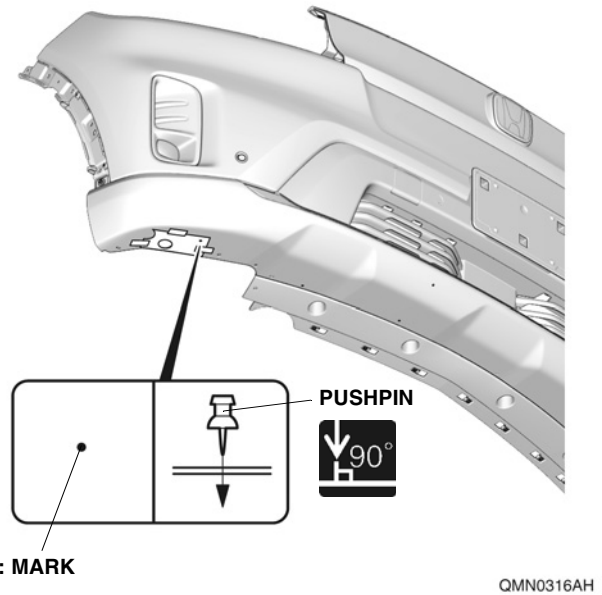
20. Remove the template B.

21. Flip the template B.

22. Secure the template B.



23. Pierce the front bumper.

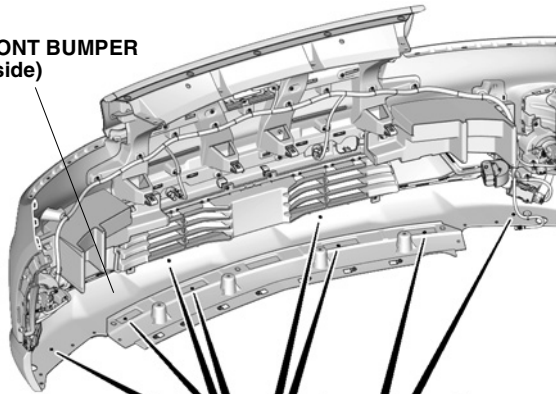


24. Remove the template B.

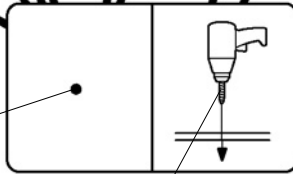
25. Drill the front bumper.



FRONT BUMPER (inside)



●: 8 MARKS



3 mm → 6 mm →
8 mm → 10 mm
DRILL BIT

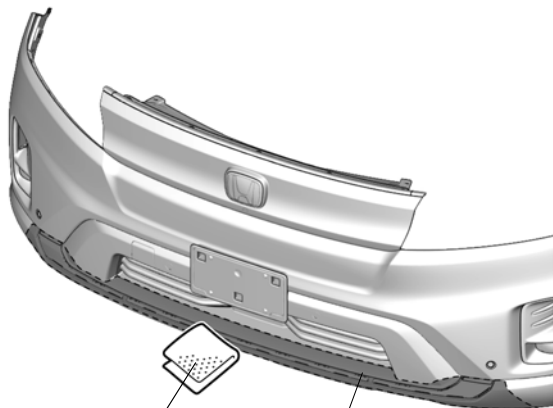
QMN0306AH



26. Clean the front bumper.

NOTE

Allow to dry thoroughly.



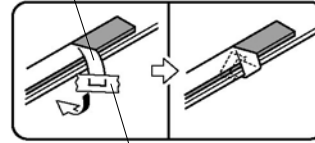
2 ALCOHOL WIPES

FRONT BUMPER (outside)

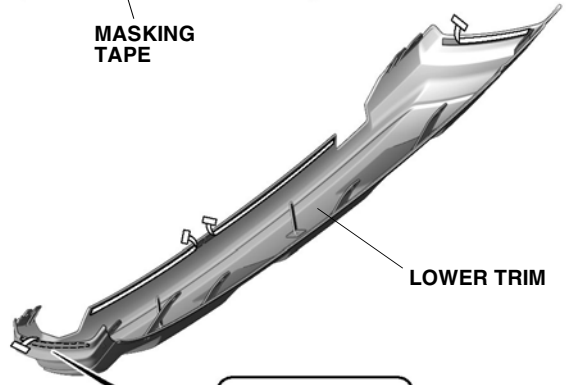
QMN0307AH

27. Temporarily attach the adhesive backings.

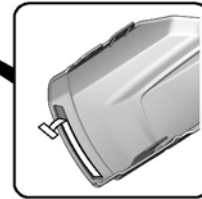
4 ADHESIVE BACKINGS



MASKING TAPE



LOWER TRIM

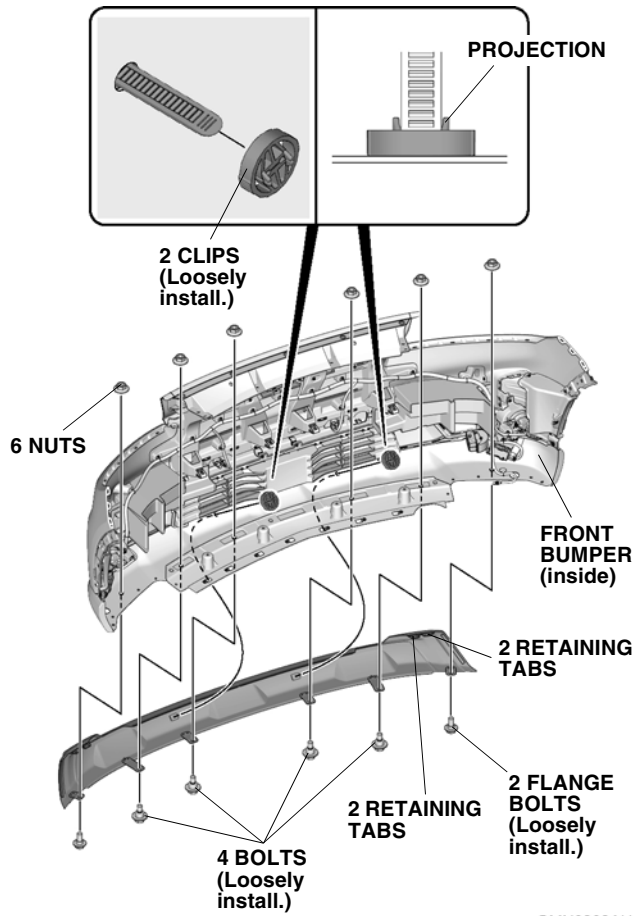


QMN0308BH

28. Loosely secure the lower trim.

NOTE

Make sure to install the clip in the correct orientation.

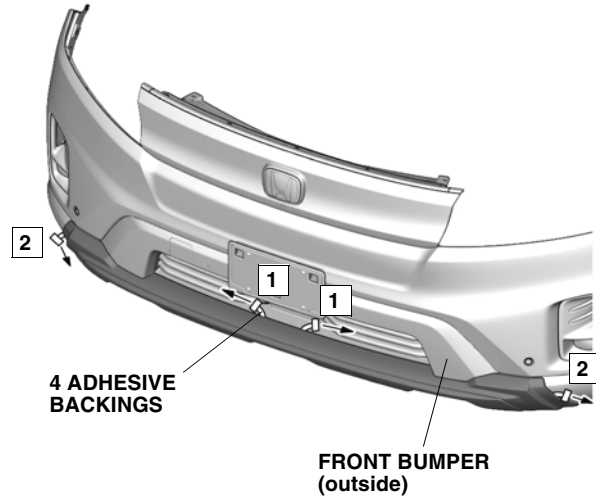


QMN0309AH

29. Loosely secure the lower trim.

NOTE

Install in the order shown.

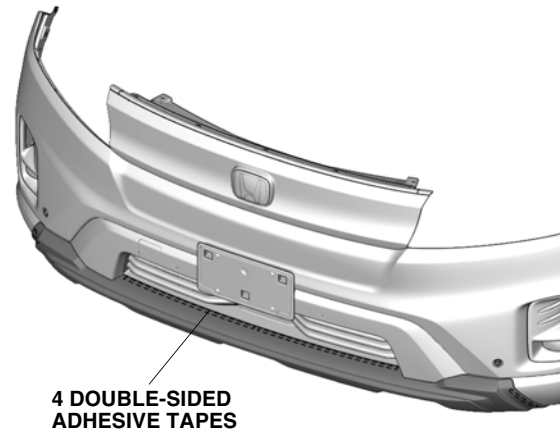


QMN0310AH

30. Secure the lower trim.

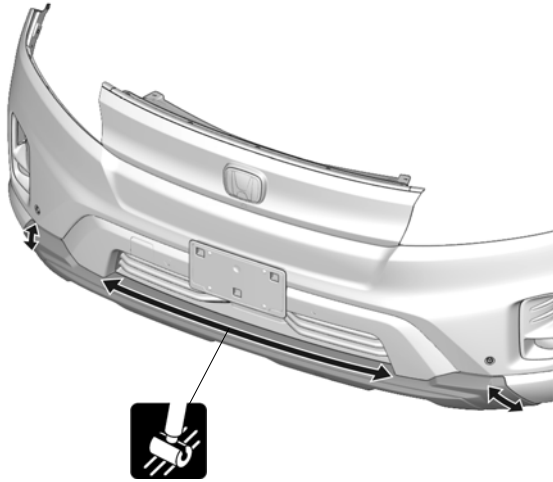
NOTE

Check the position of the double-sided adhesive tapes and make sure to press firmly.



QMN0311AH

31. Secure the lower trim.

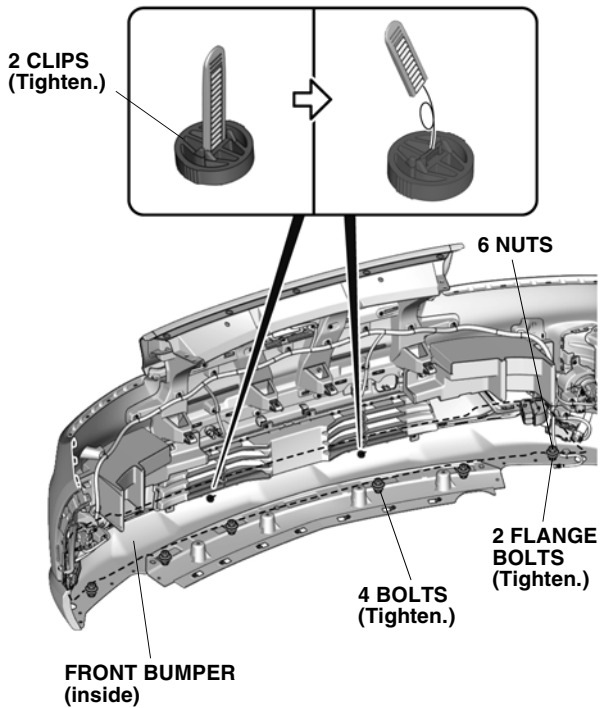


QMN0317AH

32. Secure the lower trim.

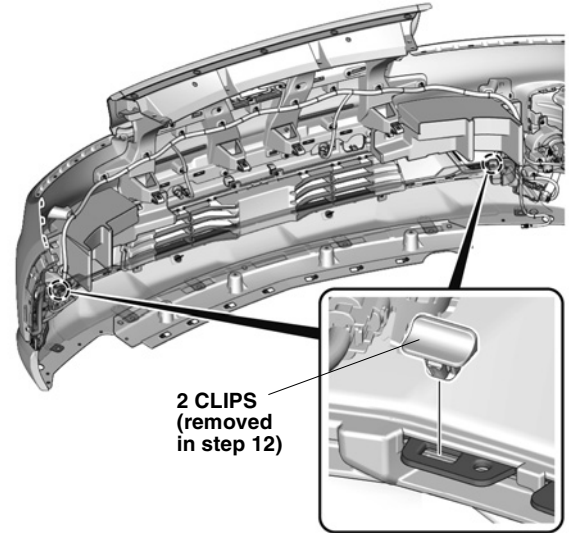
NOTE

Do not excessively push in the clip. Make sure to adjust the clip to install the lower trim.



QMN0312AH

33. Secure the lower trim.



QMN0313AH

34. Check that all parts are installed and properly routed.

NOTE
<ul style="list-style-type: none">• Check that all harnesses are not pulled and not pinched.• Make sure all clamps and wire ties are securely installed.

35. Install all removed parts.

36. Connect the 12V battery. Refer to the service information.

37. If equipped with Multi View camera system, aim the front camera as described in the service information.

38. If equipped with Multi View camera system, check the image of the Multi View camera as described in the service information.

39. Make sure all accessories and systems operate properly.

40. If necessary, restore the systems back to normal operation as described in the service information.

41. Press and hold the audio unit power button for 2 seconds to restore the audio and navi (if equipped) system functions.