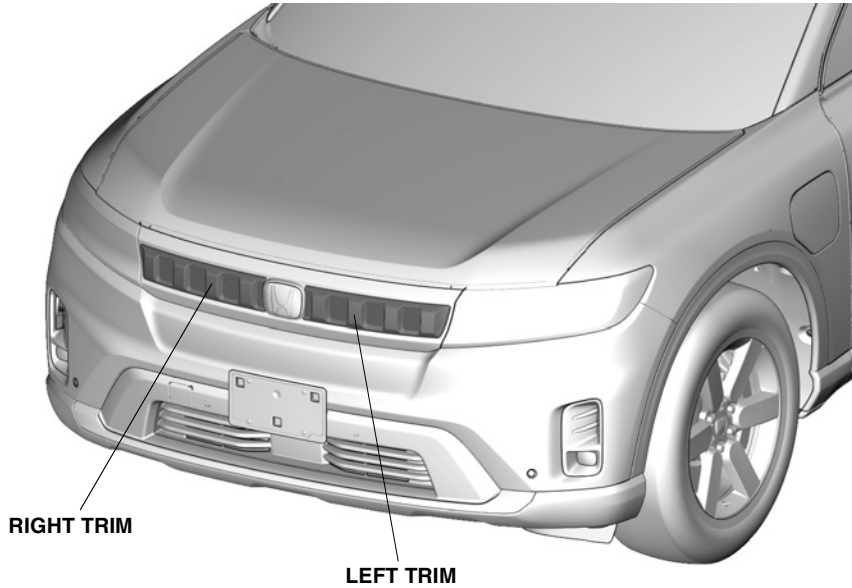




INSTALLATION INSTRUCTIONS

| | | |
|---|---|---|
| <p>Accessory</p> <p>FRONT GRILLE TRIMS</p> | <p>Application</p> <p>2024 PROLOGUE MODEL SERIES</p> | <p>Publications No.</p> <p>VERSION 1</p> |
| | | <p>Issue Date</p> <p>MAR 2024</p> |

GENERAL VIEW



QMN0501AH

FOR YOUR SAFETY (Read carefully.)

Warning Symbols

Safety: Your safety, and the safety of others, is important. To help you make informed decisions about service procedures, we have provided safety messages where appropriate. Of course, it is not practical or possible to warn you about all the hazards associated with servicing a vehicle - you must use your own good judgment.

You will find important safety messages preceded by one of the following symbols:

*All symbols are not used in all installation instructions.

⚠ DANGER

You will be killed or seriously hurt if you do not follow the instructions.

⚠ WARNING

You can be killed or seriously hurt if you do not follow the instructions.

⚠ CAUTION

You can be hurt if you do not follow the instructions.

NOTICE

Gives advice to prevent damage to the product, vehicle, the environment or other property.

NOTE

Gives helpful information or instructions to be followed when installing this product.

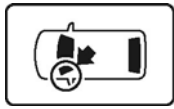


Indicates a prohibited action.

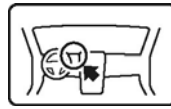
Procedure and Location Icons

These icons indicate the work location and the worker's point of view.

*All icons are not used in all installation instructions.



The location on the vehicle.



The location in the vehicle.
(Instrument panel.)



Wear eye protection.



Wear heavy gloves.



Use an assistant.



Place the part on a blanket.



Work perpendicular.



Remove any burrs.



Use touch-up paint and allow to dry.



Tighten to the specified torque.



Apply firm pressure while rolling, especially at the ends, to set the adhesive.



Press firmly.

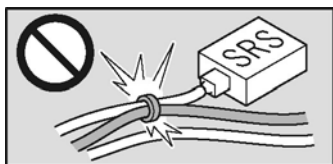


Clean with isopropyl alcohol.

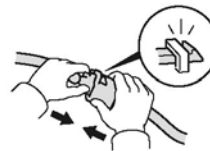


Return the original part to the customer.
(Do not reuse.)

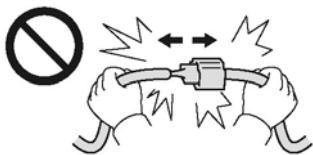
Wire Harness Routing Precaution



Do not secure the accessory harness to the SRS harness. (except for instruction cases.)



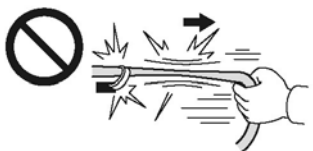
Push the connectors and terminals together until they lock.



Do not pull the harness to unplug the connectors.



Install removed connectors in their original location.



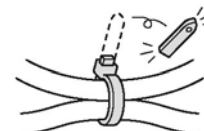
Do not pull the harness.



Secure the accessory harness as shown.



Do not pinch the harness.



Cut off the excess wire tie.

Safety: General

- Observe all safety notes and precautions described in the service information, in addition to those described in this Installation Instruction. Be extremely careful for your safety and the safety of others.
- Be careful not to damage the vehicle or the parts.
- Be extremely careful when handling retaining tabs and clips.
- Note the locations of the parts before removing them so they can be properly installed in their original positions.
- The illustrations may differ slightly from the actual accessory.

Safety: Electric Parts

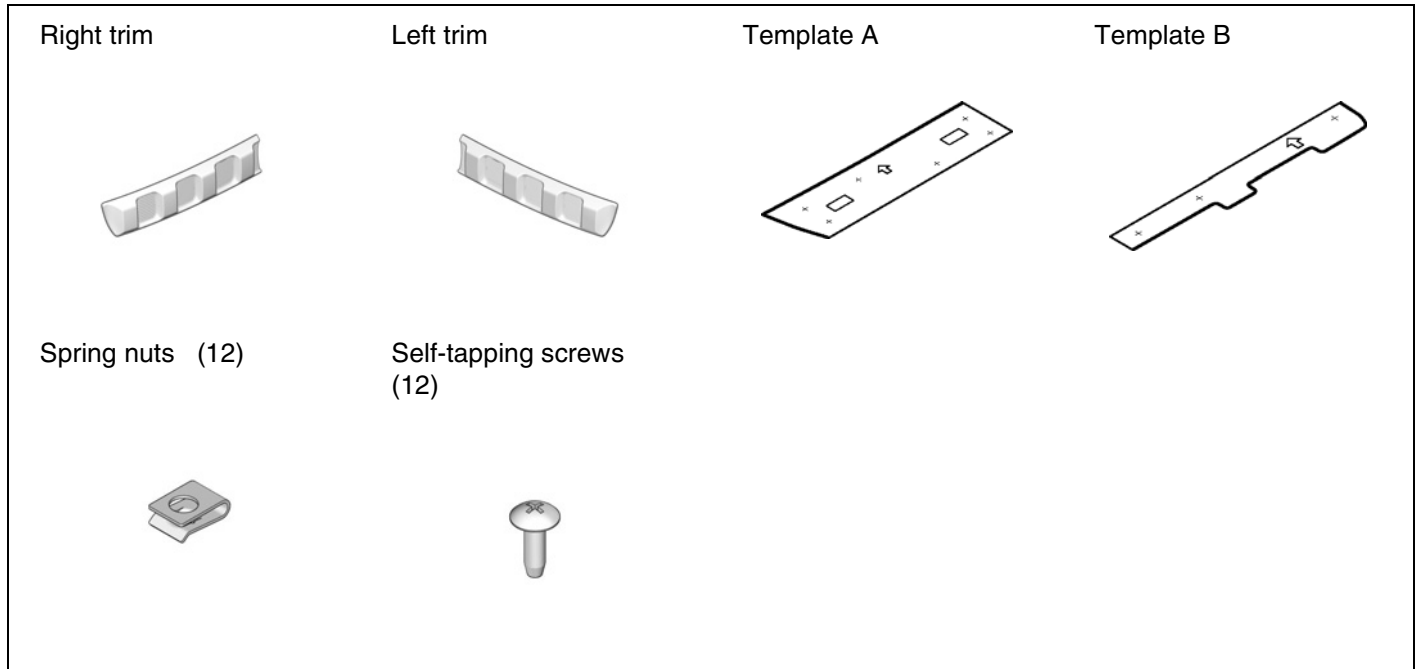
Always disconnect the negative cable from the battery before beginning work.

Safety: Accessory

Always use the parts and tools specified in the installation instructions.

PARTS LIST

Front Grille Trim Kit (P/N 08F21-PS2-100)



REQUIRED TOOLS AND SUPPLIES

- 10 mm Open end wrench
- T15 TORX bit
- Masking tape
- Drill
- Phillips screwdriver
- Ratchet
- File
- 16 mm Hole saw
- 3 mm, 6 mm, and 8 mm Drill bits
- Hex wrench
- 7 mm and 10 mm Socket
- Pushpin
- Blanket
- Ruler
- Eye protection (face shield, safety goggles, etc.)

The following tools are available through the Honda Tool and Equipment Program:

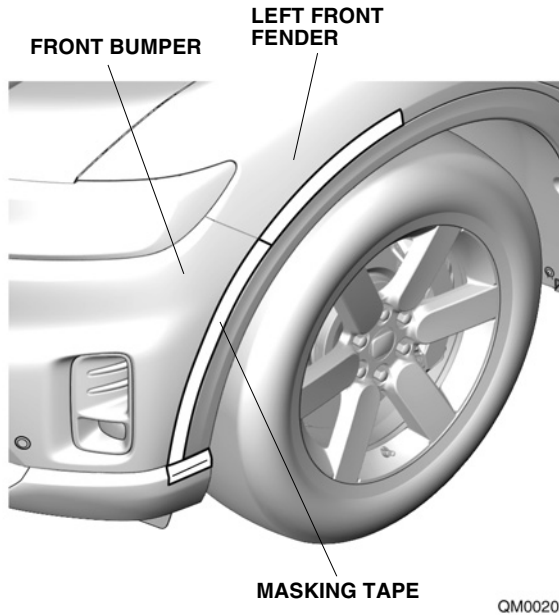
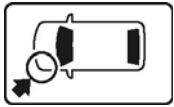
- Trim Tool Set (T/N SOJATP2014)
- Plastic Trim Tool (T/N SILTRIMTL10)

INSTALLATION

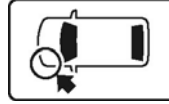
1. Disconnect the 12V battery. Refer to the service information.
2. Attach the tapes to protect the vehicle.

NOTE

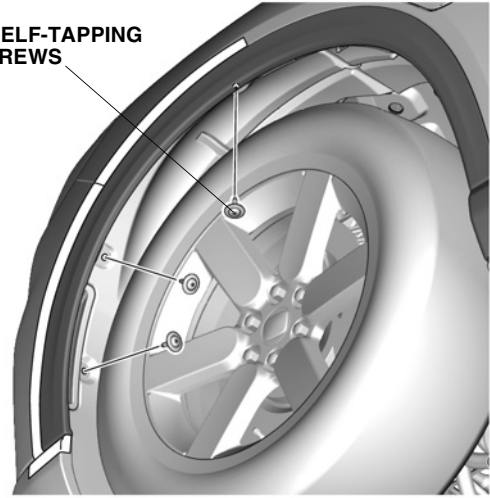
Do not remove the masking tape until after the parts are installed.



3. Remove the self-tapping screws.



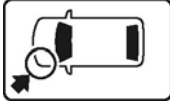
3 SELF-TAPPING SCREWS



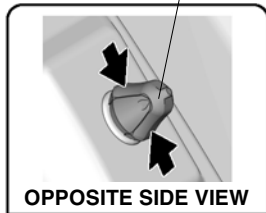
4. Release the left front wheel arch protector.

NOTICE

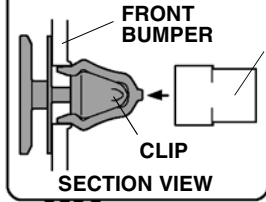
- Be careful not to damage the clips.
- If you cannot release a clip using the 7 mm socket, use a trim tool.



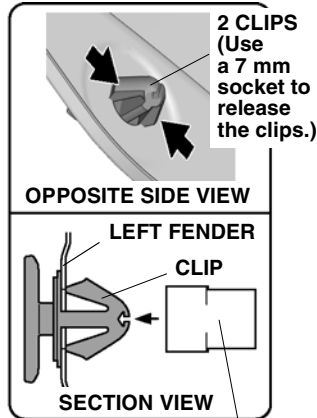
4 CLIPS
(Use a 7 mm socket
to release the clips.)



OPPOSITE SIDE VIEW



SECTION VIEW



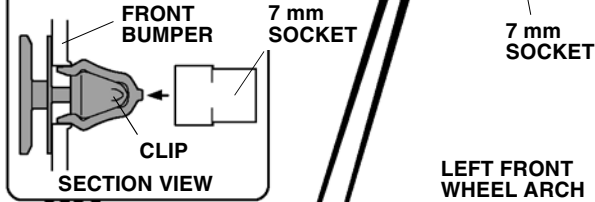
2 CLIPS
(Use
a 7 mm
socket to
release
the clips.)

OPPOSITE SIDE VIEW

LEFT FENDER

CLIP

SECTION VIEW



FRONT
BUMPER

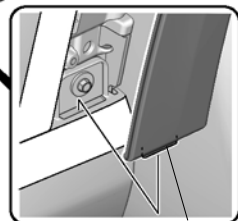
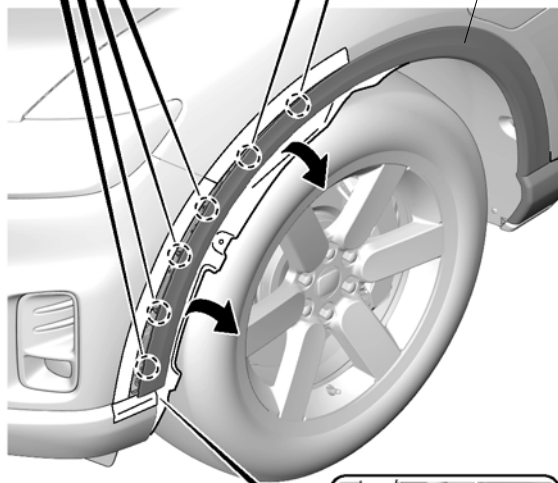
7 mm
SOCKET

CLIP

SECTION VIEW

7 mm
SOCKET

LEFT FRONT
WHEEL ARCH
PROTECTOR



RETAINING TAB

QM00203EH

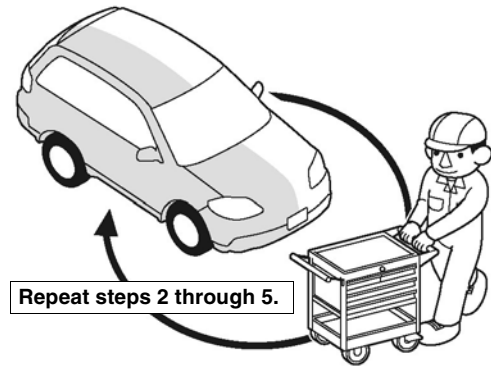
5. Remove the bolt and washer.



WASHER BOLT

QM00204BH

6. Repeat the same procedures on the other side.



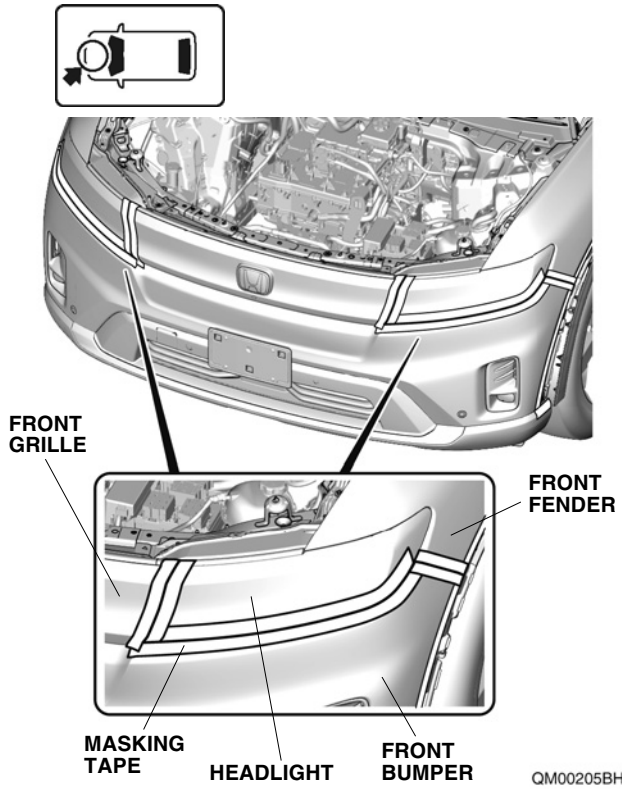
Repeat steps 2 through 5.

Q9D1014AM

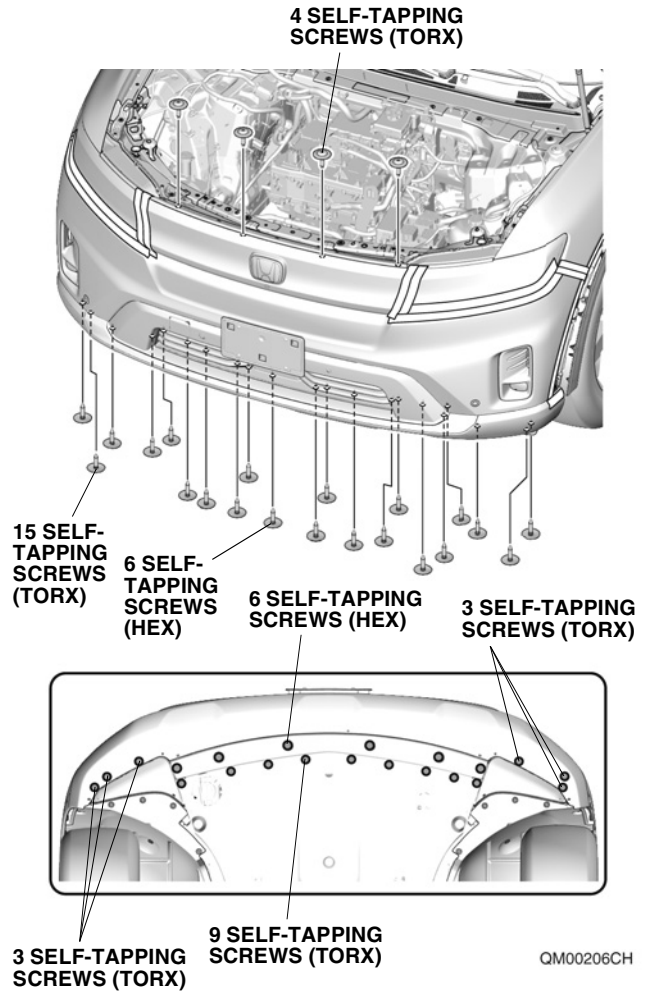
7. Attach the masking tape to protect the vehicle.

NOTE

Do not remove the tapes until after the reinstallation.



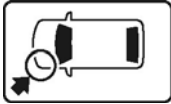
8. Remove the self-tapping screws.



9. Release the retaining tabs.

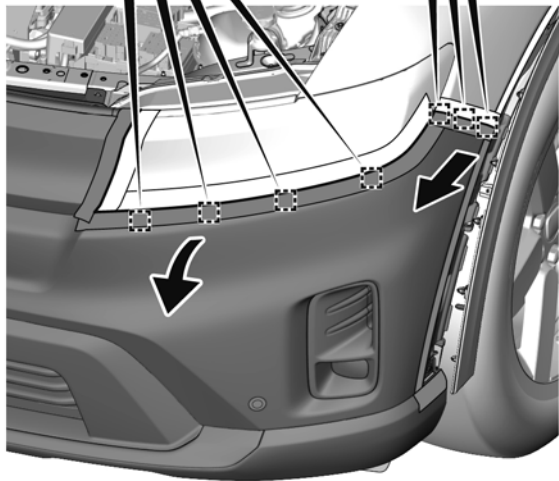
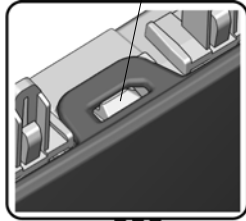
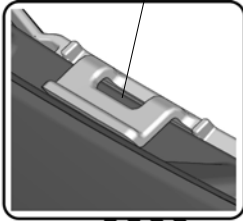
NOTE

- Release the retaining tabs in order from outside.
- Make sure to release the retaining tabs in the correct orientation.



4 RETAINING
TABS

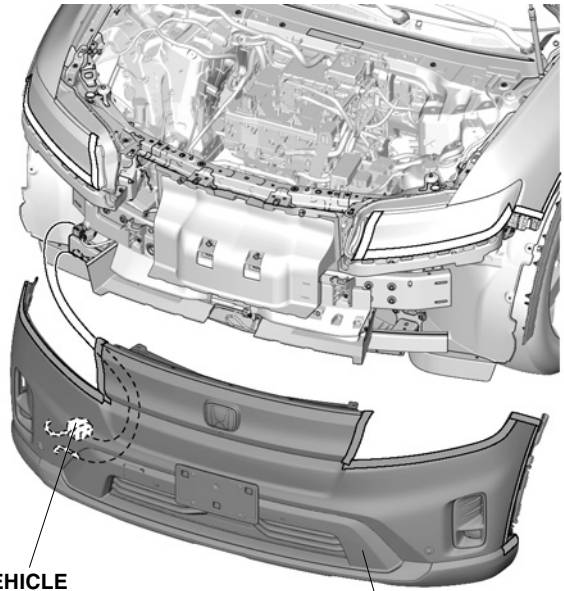
3 RETAINING
TABS



QM00207BH

10. Repeat step 9 on the other side.

11. Remove the front bumper.

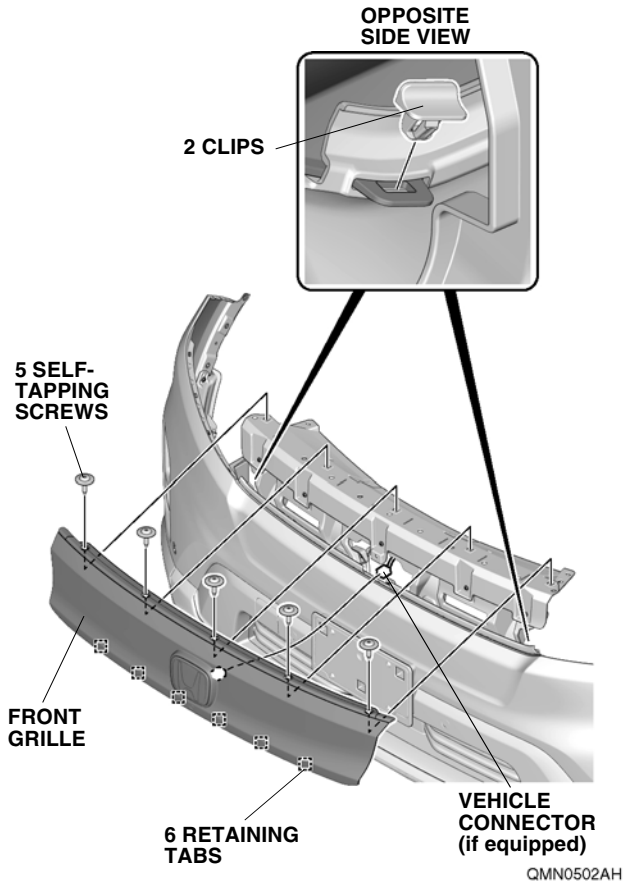


VEHICLE
CONNECTORS
(if equipped)

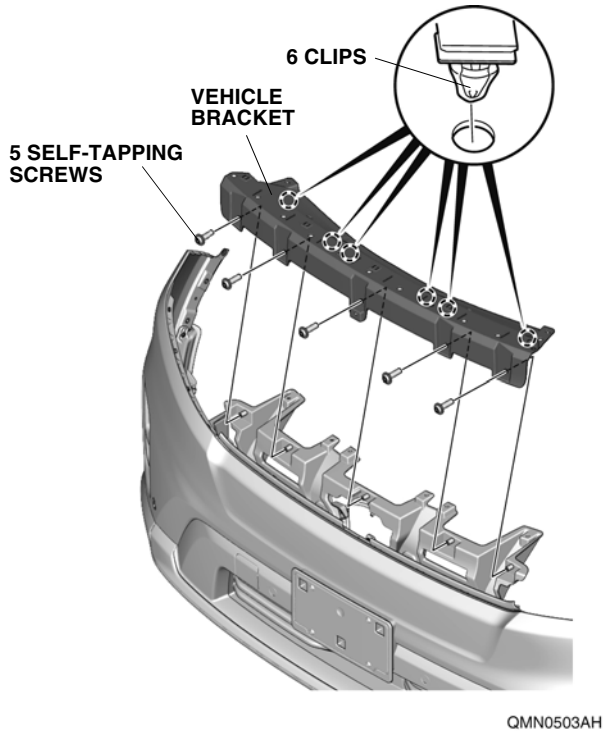
FRONT
BUMPER

QM00208BH

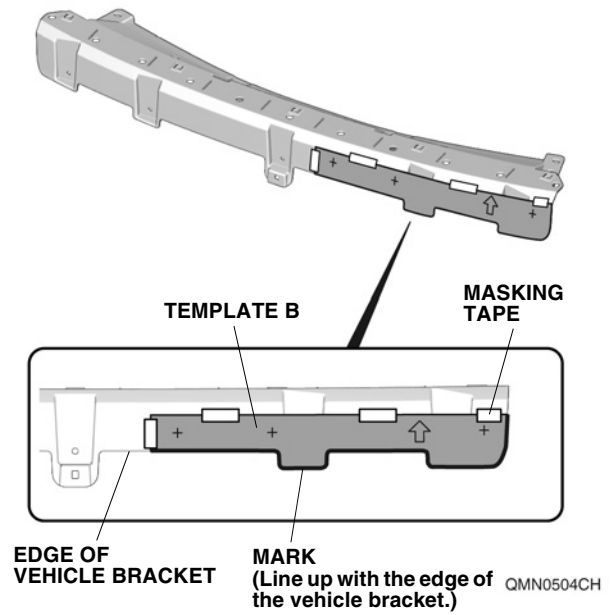
12. Remove the front grille.



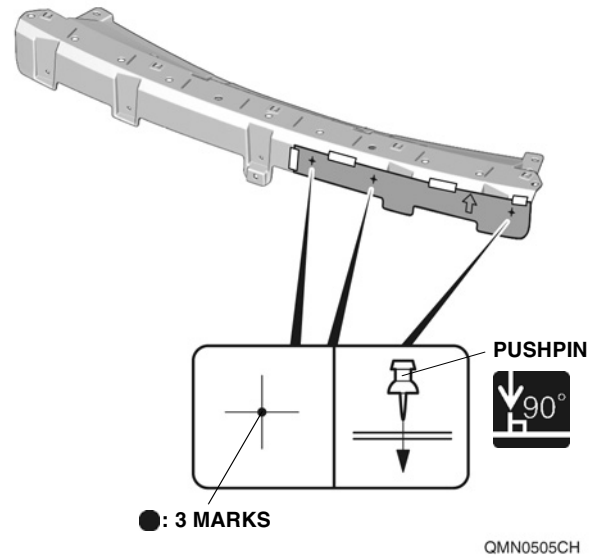
13. Remove the vehicle bracket.



14. Secure the template B.

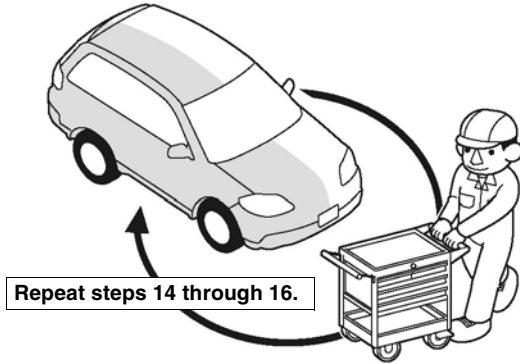


15. Pierce the vehicle bracket.



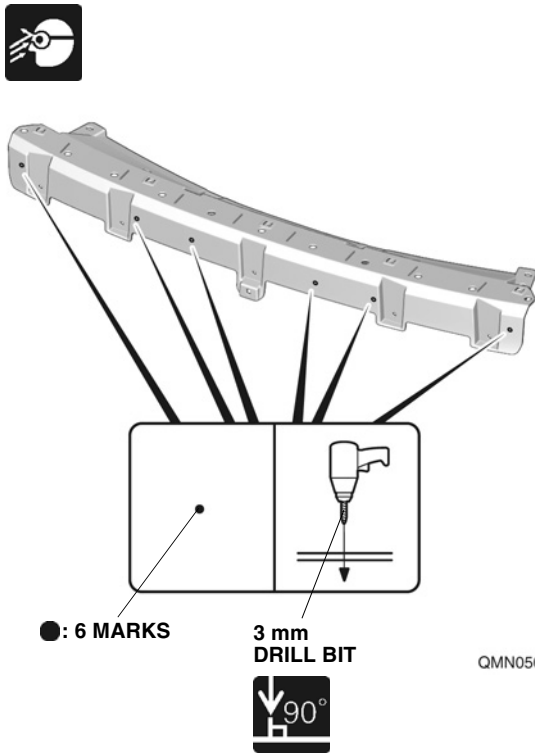
16. Remove the template B.

17. Flip the template B.
18. Repeat the same procedures on the other side.



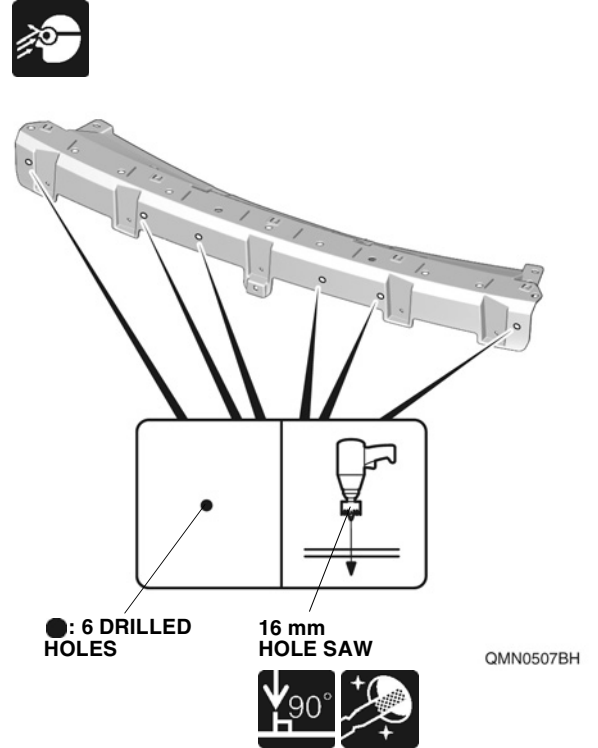
Q9D1014AM

19. Drill the vehicle bracket.



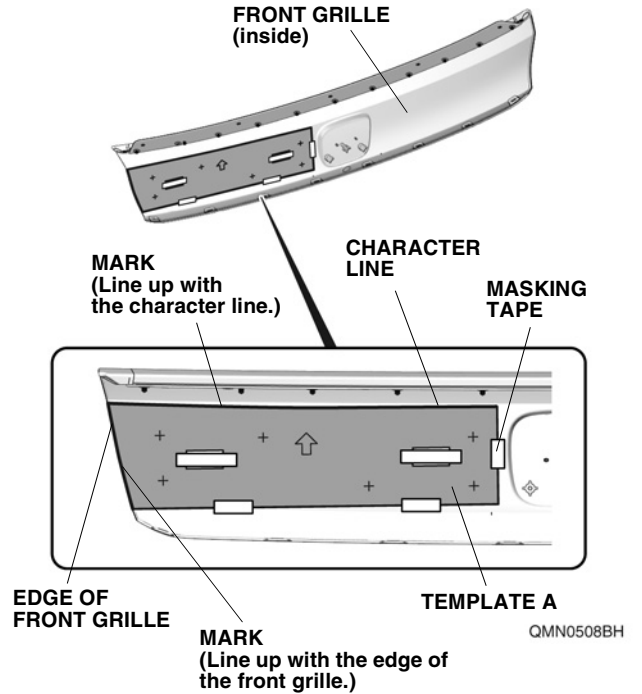
QMN0506BH

20. Drill the vehicle bracket.



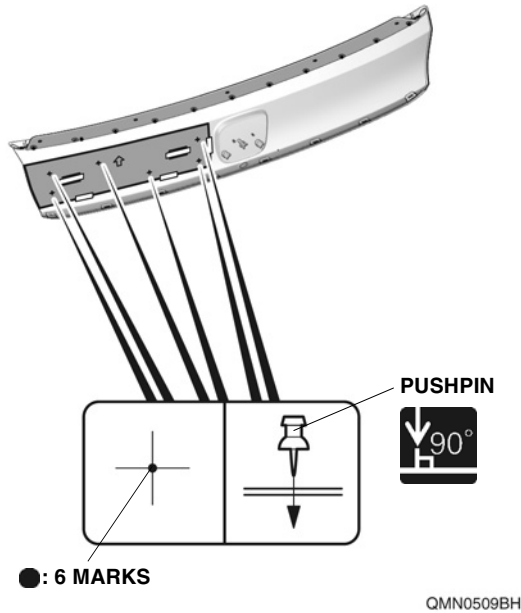
QMN0507BH

21. Secure the template A.



QMN0508BH

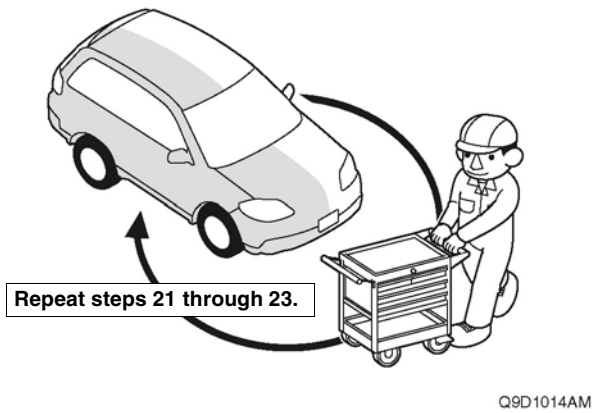
22. Pierce the front grille.



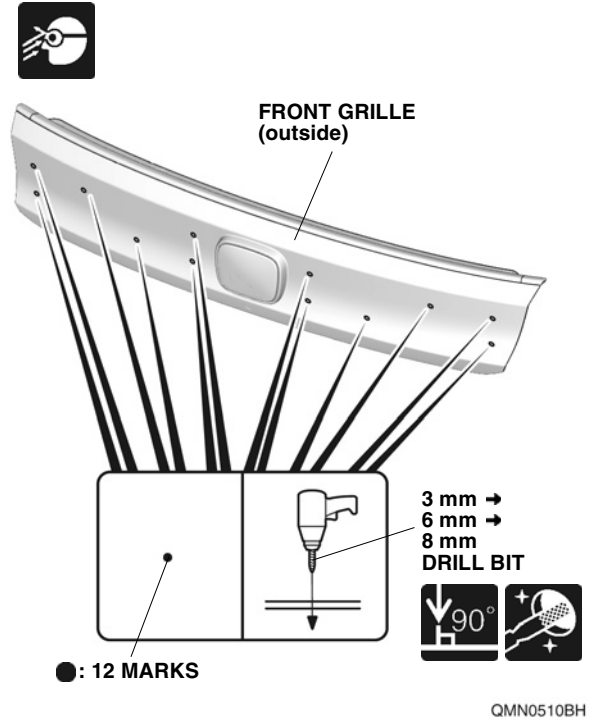
23. Remove the template A.

24. Flip the template A.

25. Repeat the same procedures on the other side.



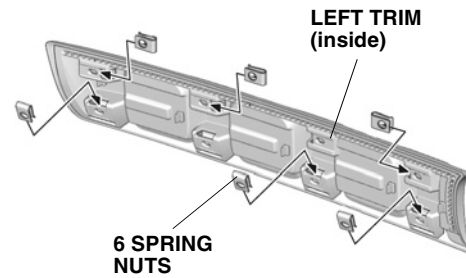
26. Drill the front grille.



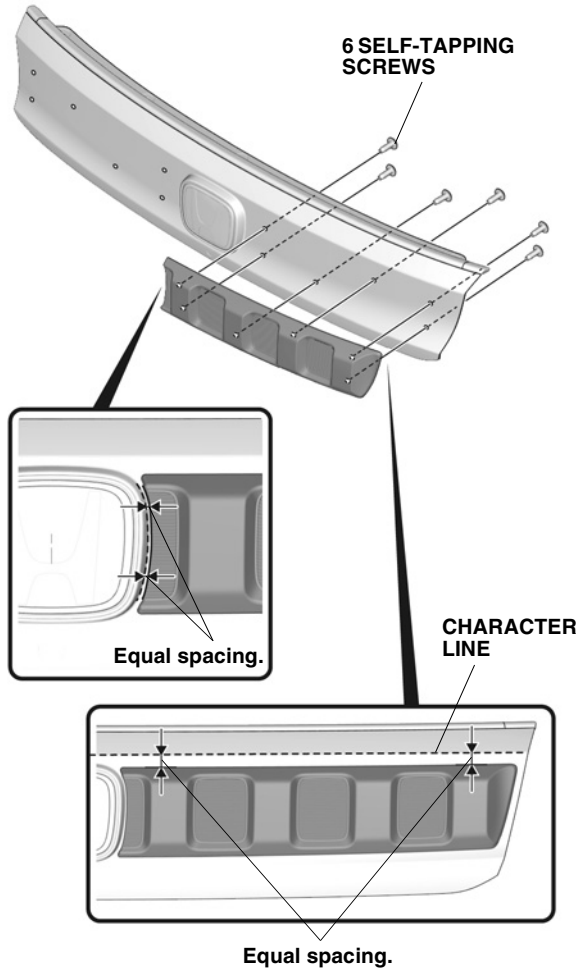
27. Install the spring nuts.

NOTE

Make sure to install the spring nut in the correct orientation.

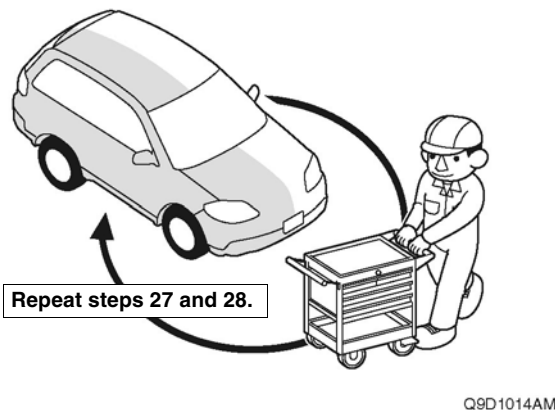


28. Install the left trim.



QMN0512BH

29. Repeat the same procedures on the other side.



Q9D1014AM

30. Check that all parts are installed and properly routed.

NOTE

- Check that all harnesses are not pulled and not pinched.
- Make sure all clamps and wire ties are securely installed.

31. Install all removed parts.
32. Connect the 12V battery. Refer to the service information.
33. If equipped with Multi View camera system, aim the front camera as described in the service information.
34. If equipped with Multi View camera system, check the image of the Multi View camera as described in the service information.
35. Make sure all accessories and systems operate properly.
36. If necessary, restore the systems back to normal operation as described in the service information.
37. Press and hold the audio unit power button for 2 seconds to restore the audio and navi (if equipped) system functions.