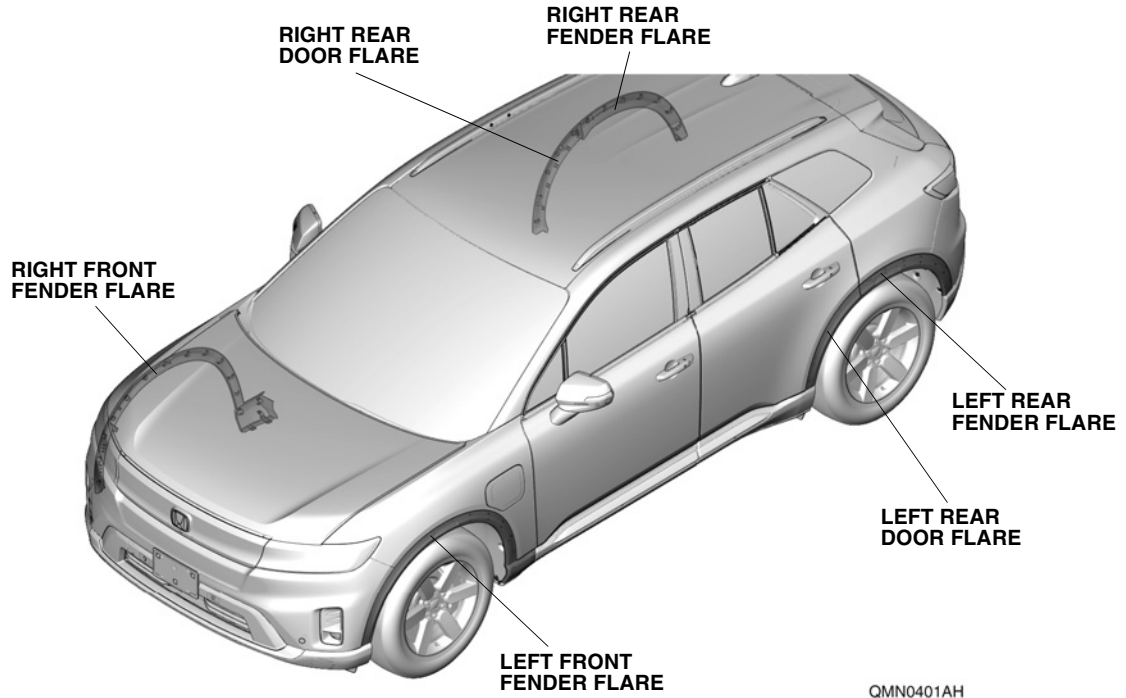




INSTALLATION INSTRUCTIONS

Accessory	Application	Publications No.
FENDER FLARES	2024 PROLOGUE MODEL SERIES	VERSION 1
		Issue Date FEB 2024

GENERAL VIEW



FOR YOUR SAFETY (Read carefully.)

Warning Symbols

Safety: Your safety, and the safety of others, is important. To help you make informed decisions about service procedures, we have provided safety messages where appropriate. Of course, it is not practical or possible to warn you about all the hazards associated with servicing a vehicle - you must use your own good judgment.

You will find important safety messages preceded by one of the following symbols:

*All symbols are not used in all installation instructions.

⚠ DANGER

You will be killed or seriously hurt if you do not follow the instructions.

⚠ WARNING

You can be killed or seriously hurt if you do not follow the instructions.

⚠ CAUTION

You can be hurt if you do not follow the instructions.

NOTICE

Gives advice to prevent damage to the product, vehicle, the environment or other property.

NOTE

Gives helpful information or instructions to be followed when installing this product.

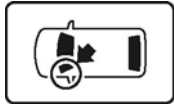


Indicates a prohibited action.

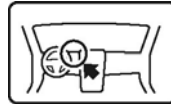
Procedure and Location Icons

These icons indicate the work location and the worker's point of view.

*All icons are not used in all installation instructions.



The location on the vehicle.



The location in the vehicle.
(Instrument panel.)



Wear eye protection.



Wear heavy gloves.



Use an assistant.



Place the part on a blanket.



Work perpendicular.



Remove any burrs.



Use touch-up paint and allow to dry.



Tighten to the specified torque.



Apply firm pressure while rolling, especially at the ends, to set the adhesive.



Press firmly.



Clean with isopropyl alcohol.



Return the original part to the customer.
(Do not reuse.)

Safety: General

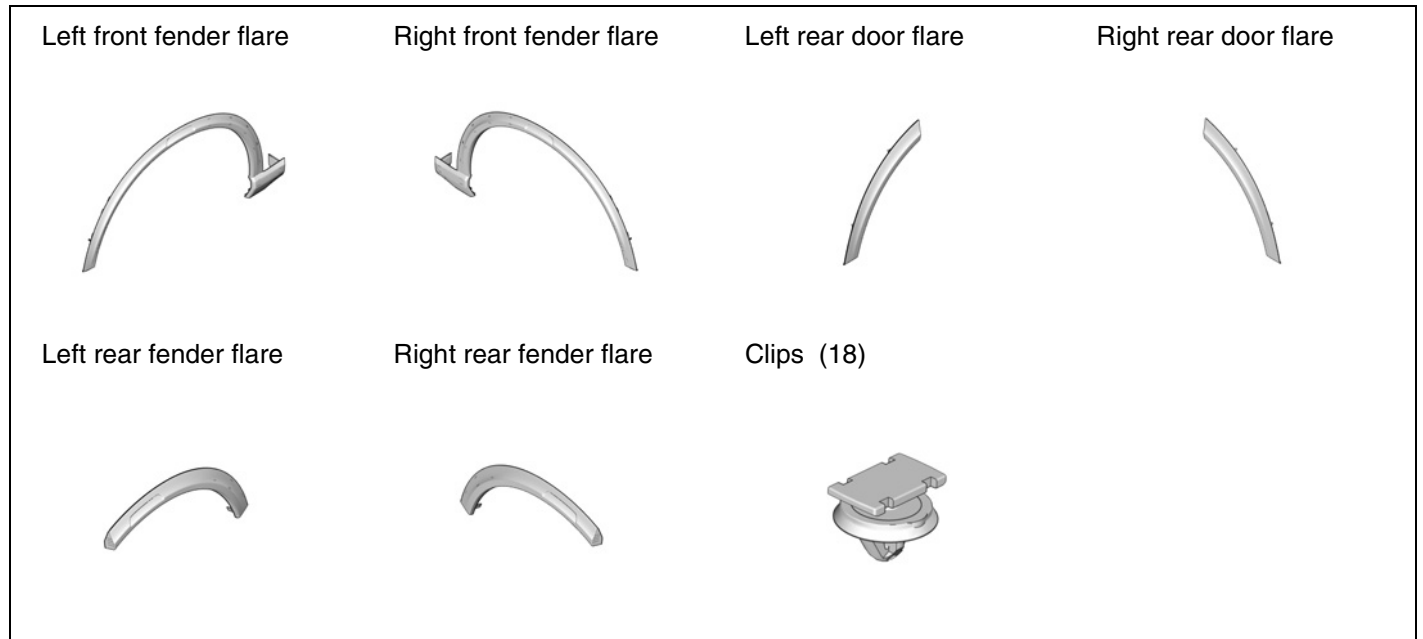
- Observe all safety notes and precautions described in the service information, in addition to those described in this Installation Instruction. Be extremely careful for your safety and the safety of others.
- Be careful not to damage the vehicle or the parts.
- Be extremely careful when handling retaining tabs and clips.
- Note the locations of the parts before removing them so they can be properly installed in their original positions.
- The illustrations may differ slightly from the actual accessory.

Safety: Accessory

Always use the parts and tools specified in the installation instructions.

PARTS LIST

Fender Flare Kit (P/N 08P21-PS2-100)



REQUIRED TOOLS AND SUPPLIES

- Masking tape
- Needle nose pliers
- T-15 TORX bit
- 7 mm Socket
- Ratchet

The following tools are available through the Honda Tool and Equipment Program:

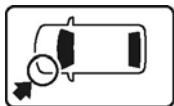
- Trim Tool Set (T/N SOJATP2014)
- Plastic Trim Tool (T/N SILTRIMTL10)

INSTALLATION

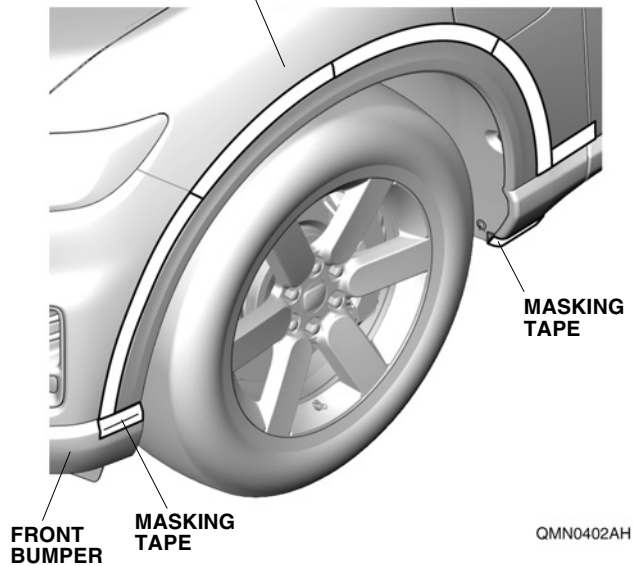
1. Attach masking tape to protect the vehicle.

NOTE

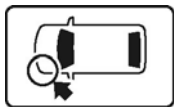
Do not remove the masking tape until after the parts are installed.



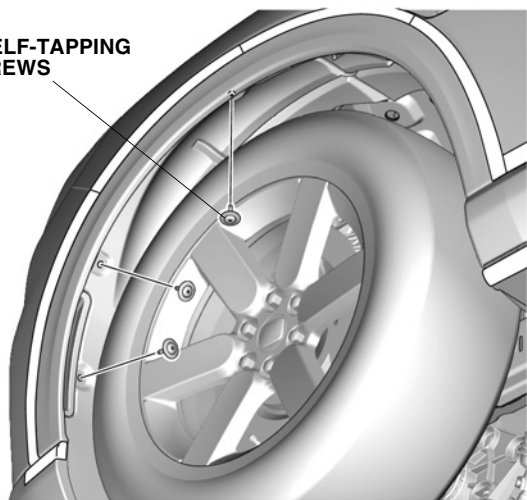
LEFT FRONT FENDER



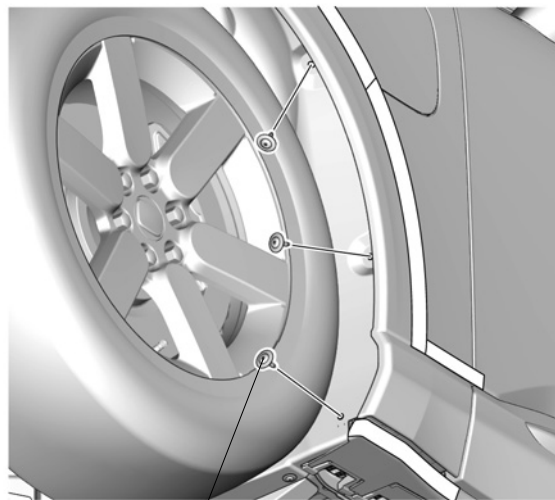
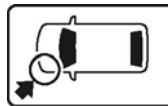
2. Remove the self-tapping screws.



3 SELF-TAPPING SCREWS



3. Remove the self-tapping screws.

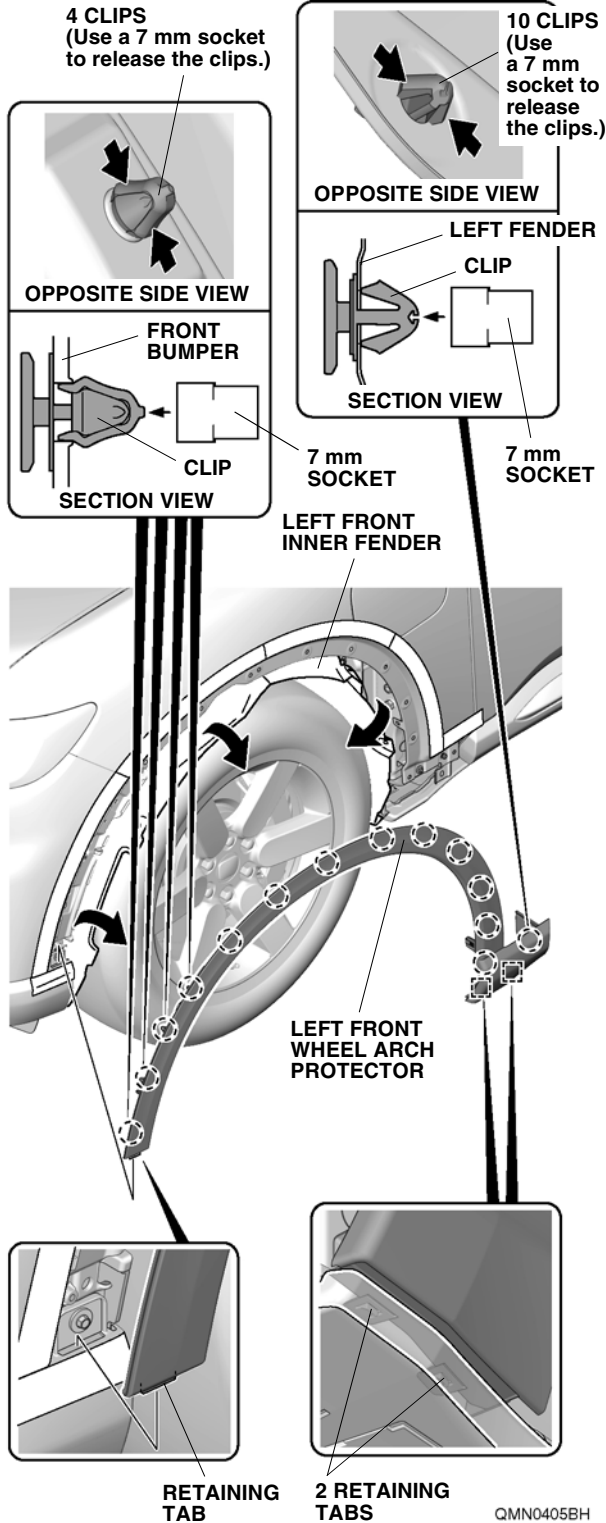


3 SELF-TAPPING SCREWS

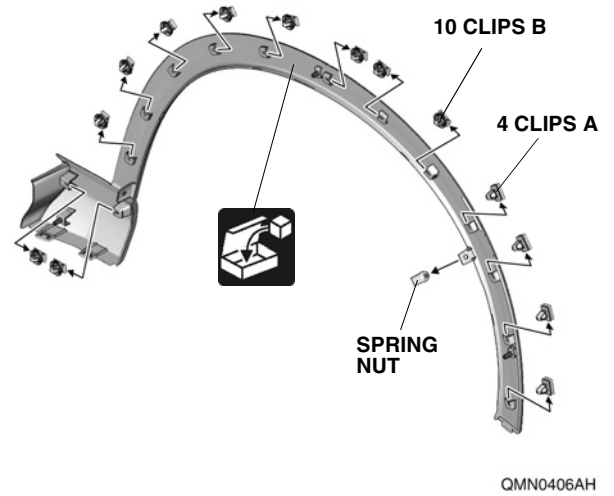
4. Remove the left front wheel arch protector.

NOTICE

- Be careful not to damage the clips.
- If you cannot release a clip using the 7 mm socket, use a trim tool.



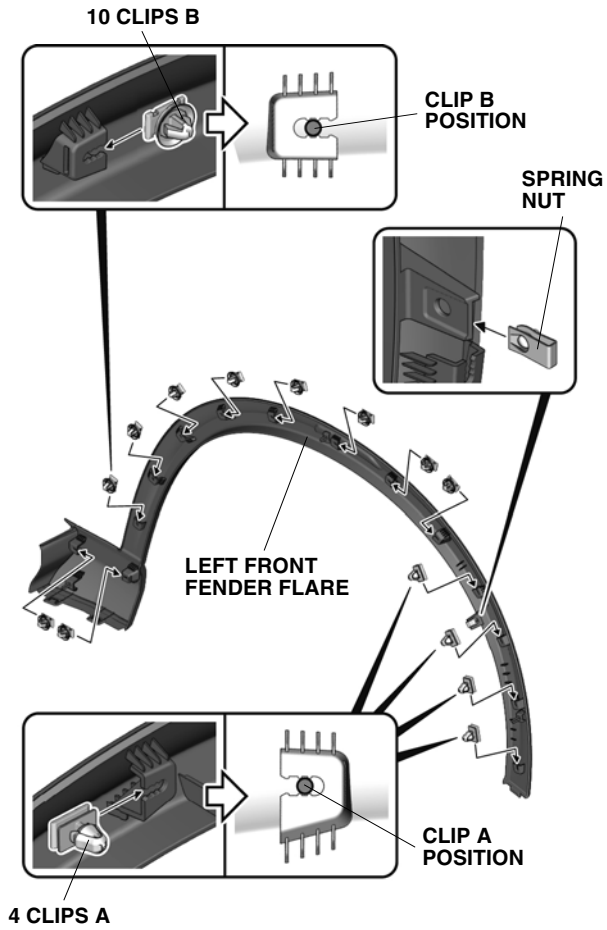
5. Remove the clips and spring nut.



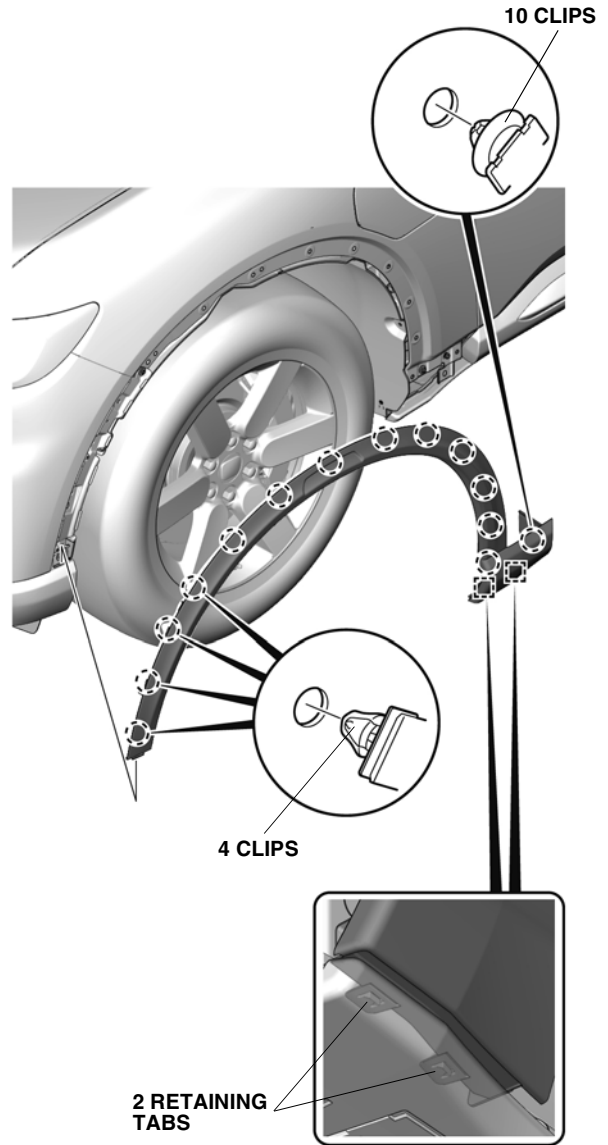
6. Install the clips and spring nut.

NOTE

Make sure to install the spring nut in the correct orientation.



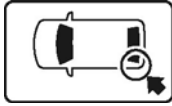
7. Install the left front fender flare.



8. Attach masking tape to protect the vehicle.

NOTE

Do not remove the masking tape until after the parts are installed.

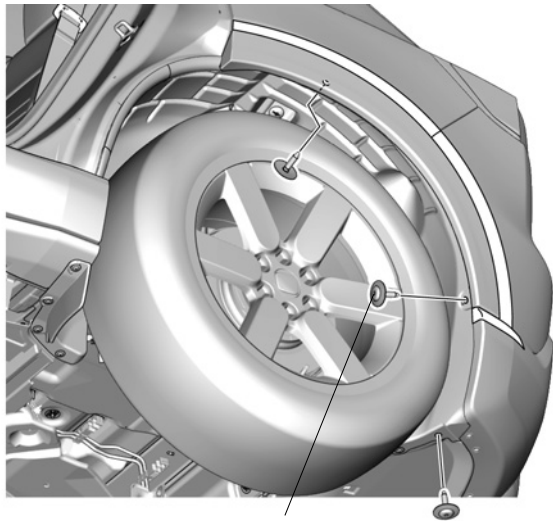
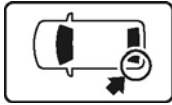


LEFT REAR FENDER

REAR BUMPER



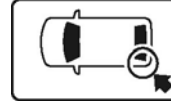
9. Remove the self-tapping screws.



10. Remove the left rear wheel arch protector.

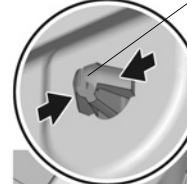
NOTICE

- Be careful not to damage the clips.
- If you cannot release a clip using the 7 mm socket, use a trim tool.



OPPOSITE SIDE VIEW

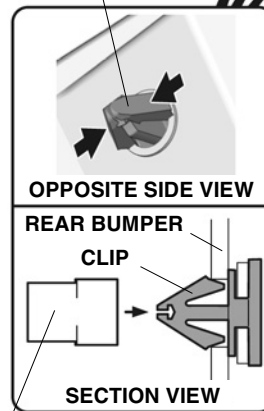
4 CLIPS



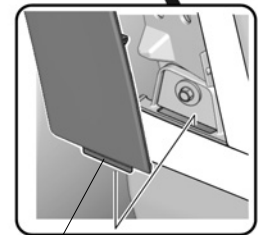
LEFT REAR INNER FENDER

LEFT REAR WHEEL ARCH PROTECTOR

3 CLIPS
(Use a 7 mm socket to release the clips.)



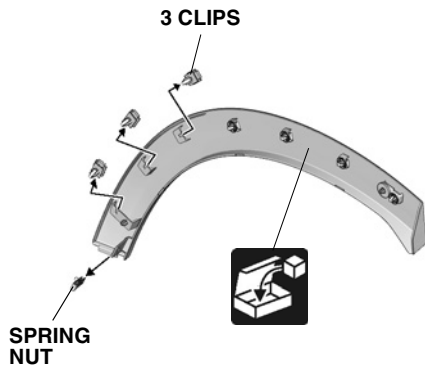
7 mm SOCKET



RETAINING TAB

QMN0411DH

11. Remove the clips and spring nut.

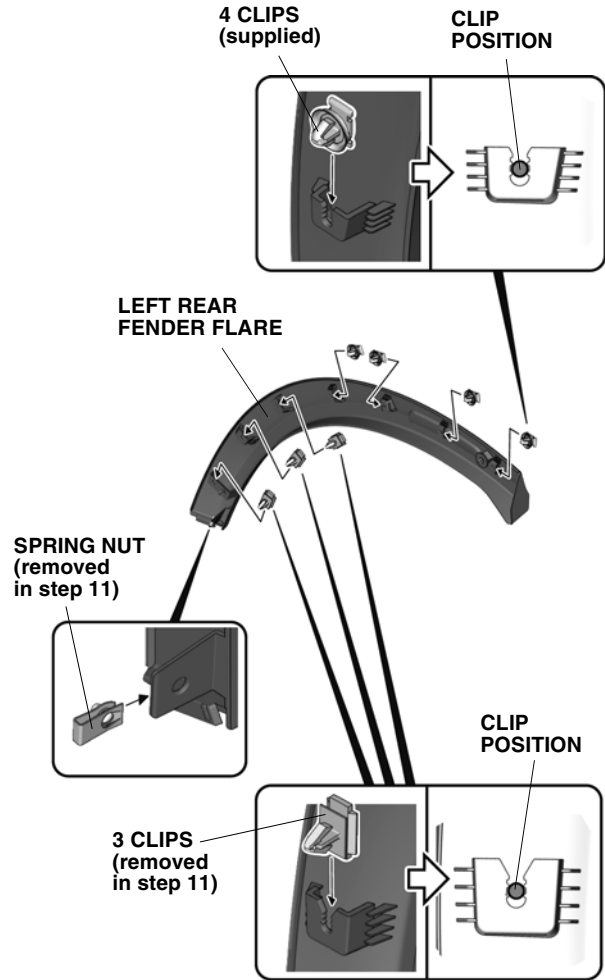


QMN0412AH

12. Install the clips and spring nut.

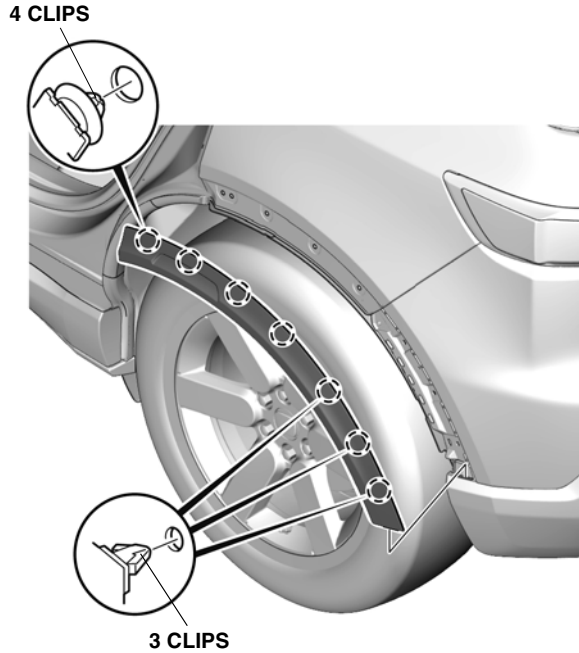
NOTE

Make sure to install the spring nut in the correct orientation.



QMN0413BH

13. Install the left rear fender flare.

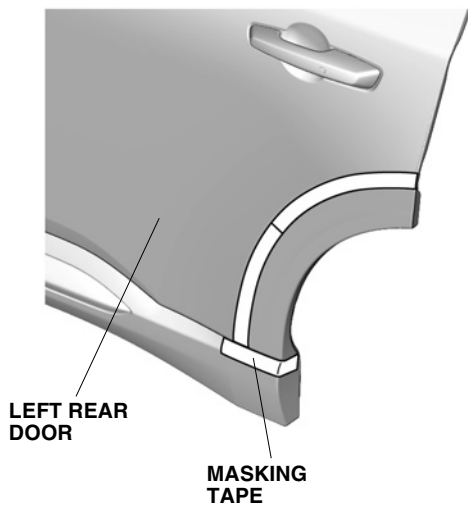
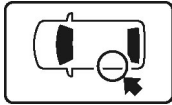


QMN0414AH

14. Attach masking tape to protect the vehicle.

NOTE

Do not remove the masking tape until after the parts are installed.



QMN0415AH

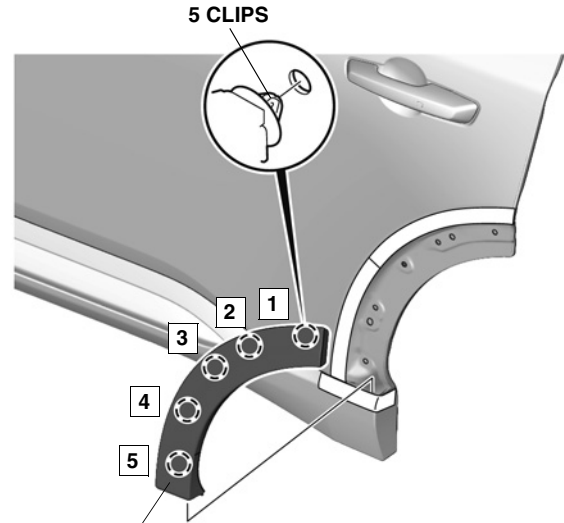
15. Remove the left rear door wheel arch protector.

NOTICE

Be careful not to damage the clips.

NOTE

Remove in the order shown.

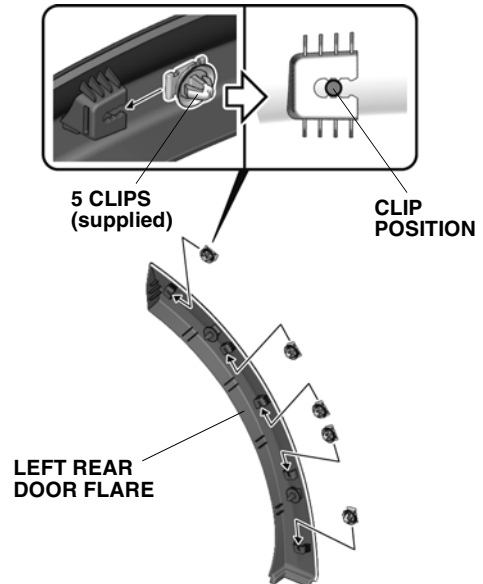


LEFT REAR WHEEL ARCH PROTECTOR

QMN0416AH

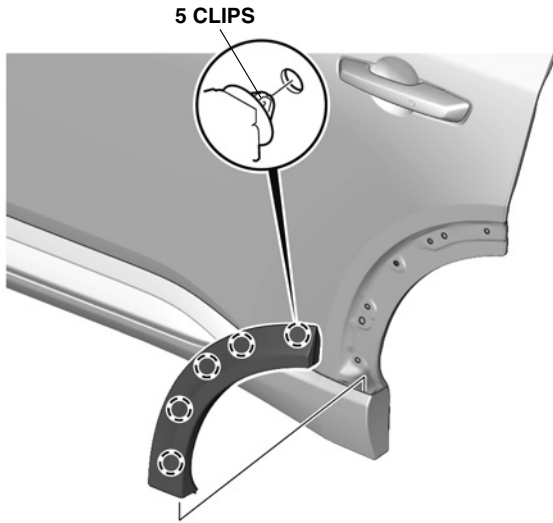


16. Install the clips.



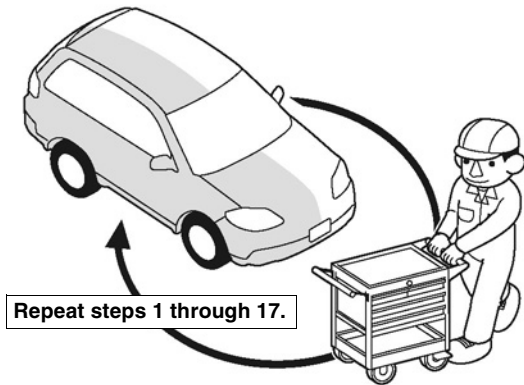
QMN0417BH

17. Install the left rear door flare.



QMN0418AH

18. Repeat the same procedures on the other side.



Q9D1012AE

19. Check that all parts are installed properly.
20. Install all removed parts.