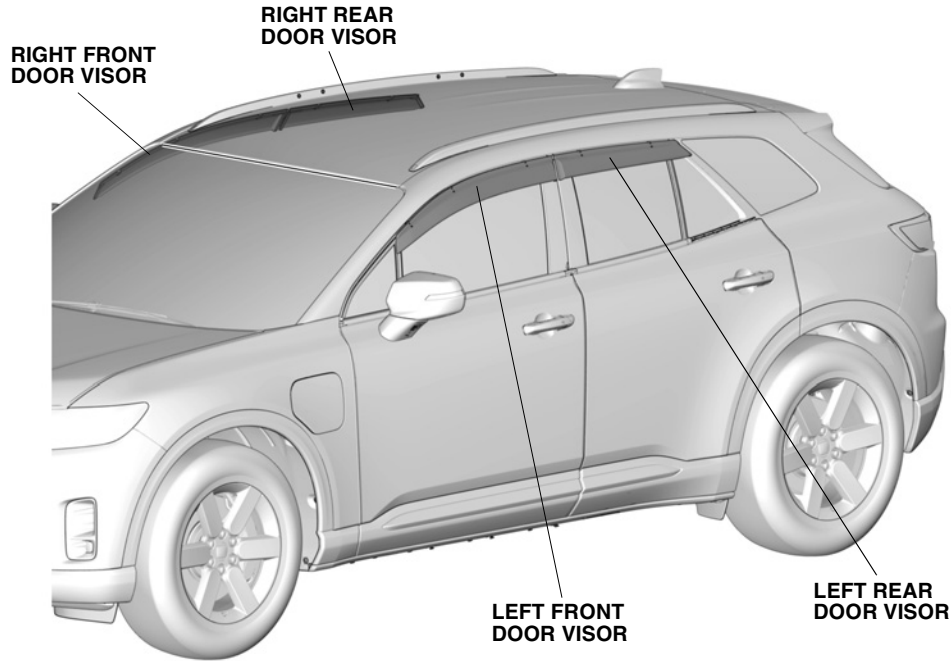




## INSTALLATION INSTRUCTIONS

<p>Accessory</p> <p>DOOR VISORS</p>	<p>Application</p> <p>2024 PROLOGUE MODEL SERIES</p>	<p>Publications No.</p> <p>VERSION 1</p>
		<p>Issue Date</p> <p>FEB 2024</p>

### GENERAL VIEW



QMN0301AU

### FOR YOUR SAFETY (Read carefully.)

#### Warning Symbols

Safety: Your safety, and the safety of others, is important. To help you make informed decisions about service procedures, we have provided safety messages where appropriate. Of course, it is not practical or possible to warn you about all the hazards associated with servicing a vehicle - you must use your own good judgment.

You will find important safety messages preceded by one of the following symbols:

\*All symbols are not used in all installation instructions.

**⚠ DANGER**

You will be killed or seriously hurt if you do not follow the instructions.

**⚠ WARNING**

You can be killed or seriously hurt if you do not follow the instructions.

**⚠ CAUTION**

You can be hurt if you do not follow the instructions.

**NOTICE**

Gives advice to prevent damage to the product, vehicle, the environment or other property.

**NOTE**

Gives helpful information or instructions to be followed when installing this product.

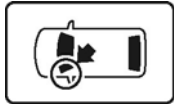


Indicates a prohibited action.

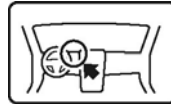
## Procedure and Location Icons

These icons indicate the work location and the worker's point of view.

\*All icons are not used in all installation instructions.



The location on the vehicle.



The location in the vehicle.  
(Instrument panel.)



Wear eye protection.



Wear heavy gloves.



Use an assistant.



Place the part on a blanket.



Work perpendicular.



Remove any burrs.



Use touch-up paint and allow to dry.



Tighten to the specified torque.



Apply firm pressure while rolling, especially at the ends, to set the adhesive.



Press firmly.



Clean with isopropyl alcohol.



Return the original part to the customer.  
(Do not reuse.)

## Safety: General

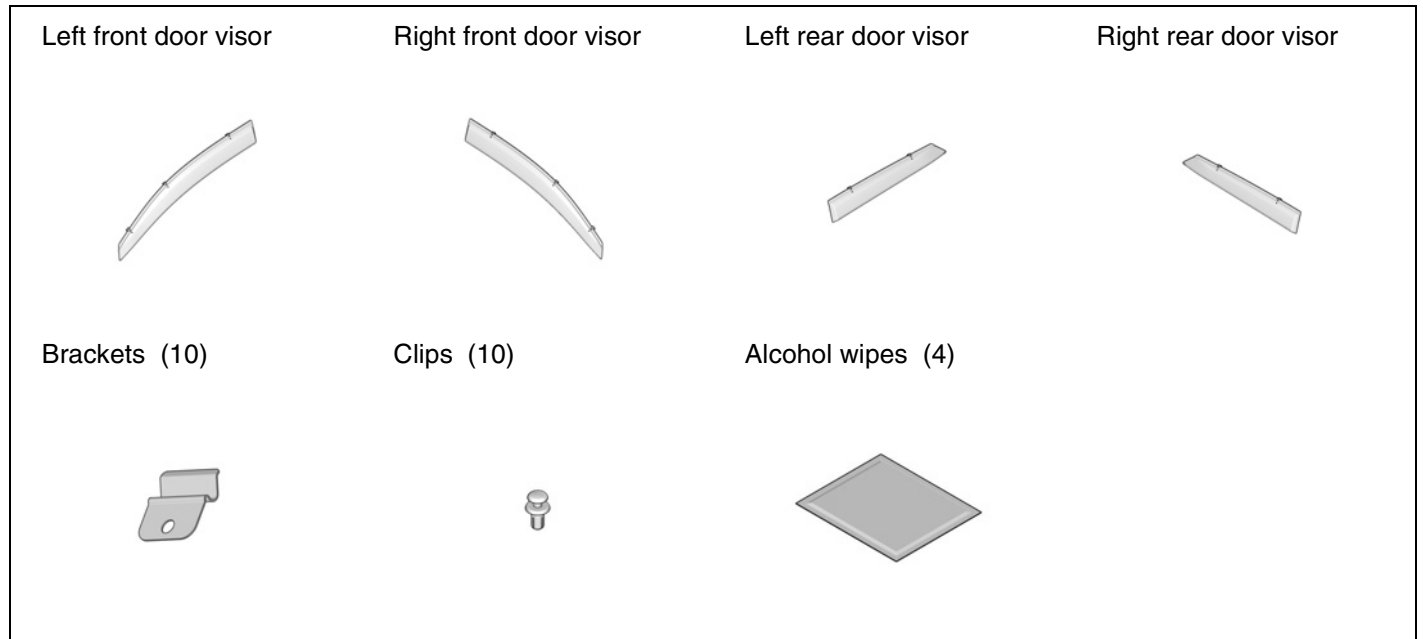
- Visors may not be legal in all states. Please check the laws of your state.
- Observe all safety notes and precautions described in the service information, in addition to those described in this Installation Instruction. Be extremely careful for your safety and the safety of others.
- Be careful not to damage the vehicle or the parts.
- The illustrations may differ slightly from the actual accessory.

## Safety: Accessory

- Do not shock or impact the accessories.
- Be careful this accessory can easily be damaged by solvent or contact cleaner.
- Always use the parts and tools specified in the installation instructions.
- Do not install the accessory on a dirty surface or in direct sunlight.
- Make sure the ambient air temperature is 60°F (15°C) or above when installing accessories that use adhesive material.
- When pressing the accessory firmly with the palm of your hand, be careful not to damage it or the vehicle.
- When applying adhesive material, make sure it is lined up properly before attaching. Once the adhesive material touches the surface, do not try to remove it. If you do, you could damage the part.
- Do not wash the vehicle for 24 hours to allow the adhesive to cure.

## PARTS LIST

Door Visor Kit (P/N 08R04-PS2-100)



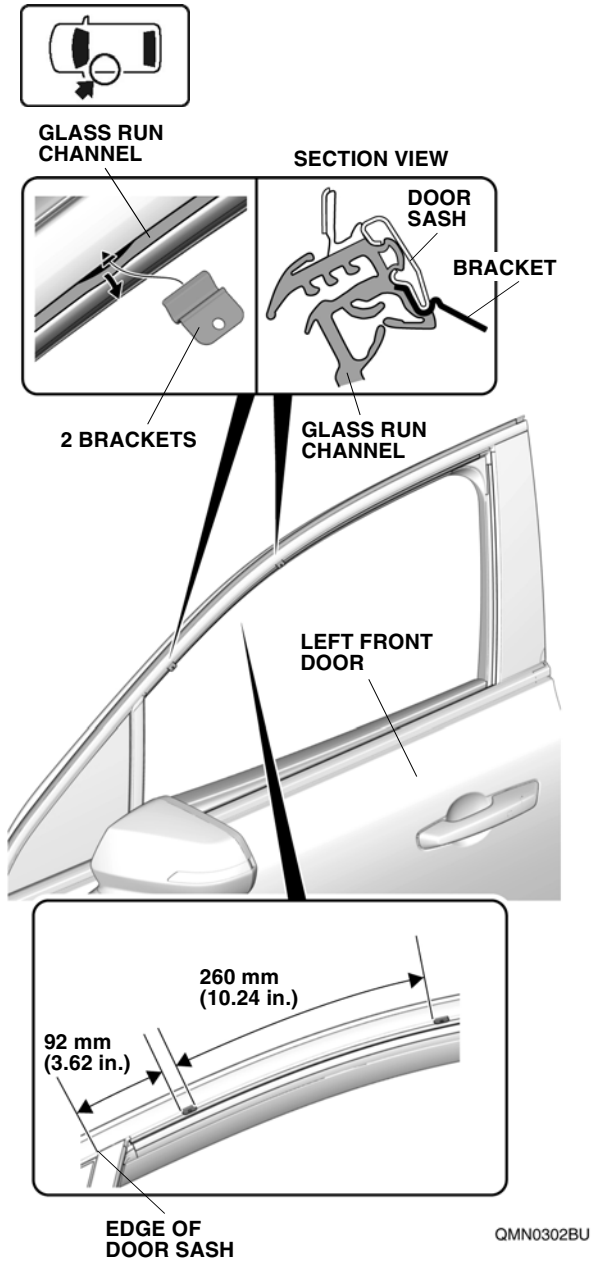
## REQUIRED TOOLS AND SUPPLIES

- Masking tape
- Ruler
- Soft towel
- Utility knife

The following tool is available through the Honda Tool and Equipment Program:  
Rubber Roller (T/N MHLE54D)

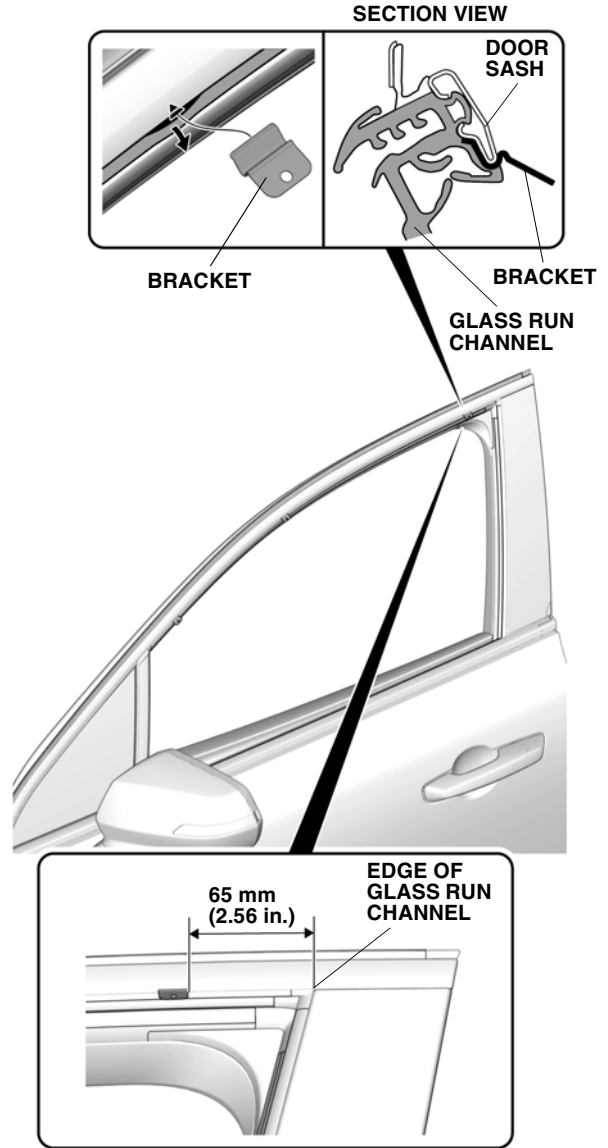
## INSTALLATION

1. Fully open the left front window.



2. Install the brackets.

3. Install the bracket.



QMN0303BU

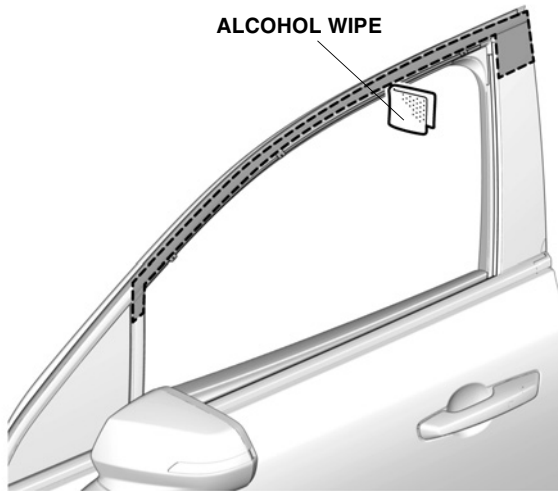
4. Install the glass run channel.

### NOTE

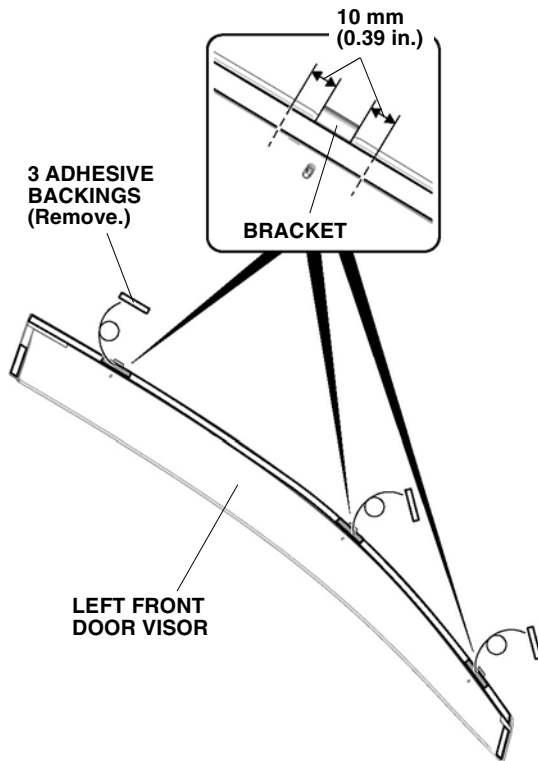
Make sure to correctly install the glass run channel.

5. Clean the attaching area.

<b>NOTE</b>
Allow to dry thoroughly.

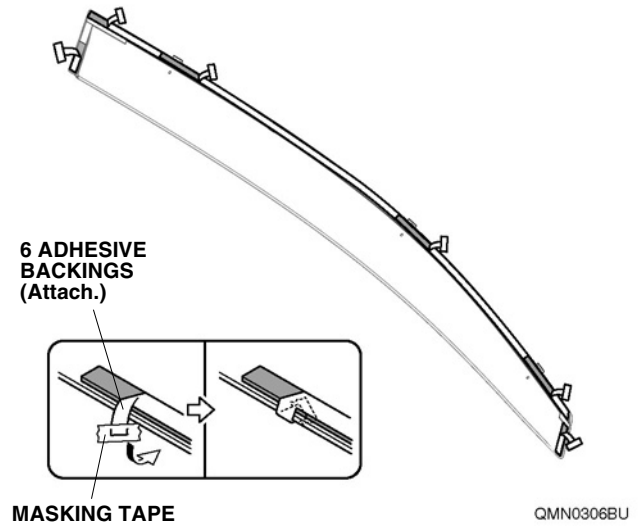


6. Cut the adhesive backings.



7. Remove the adhesive backings.

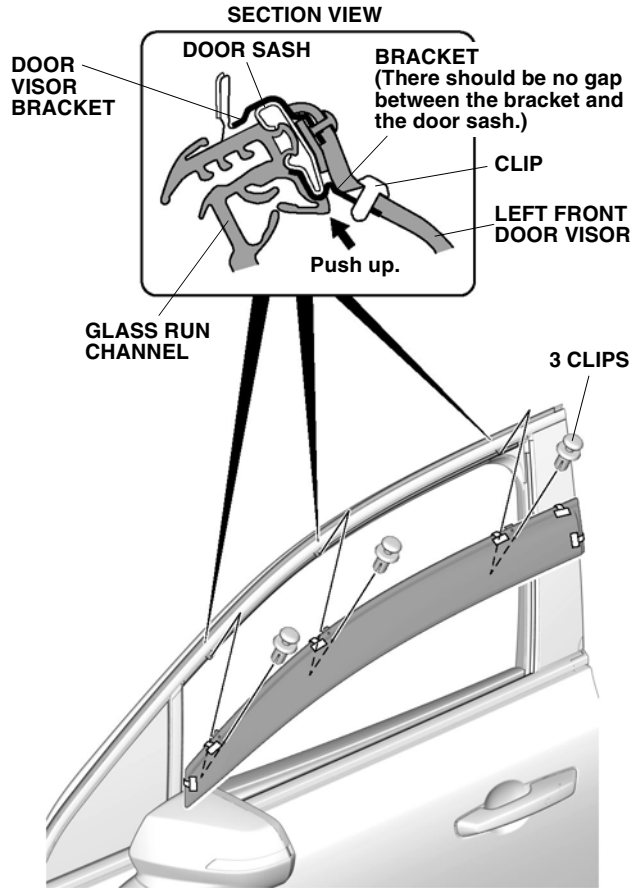
8. Temporarily attach the adhesive backings.



9. Install the left front door visor.

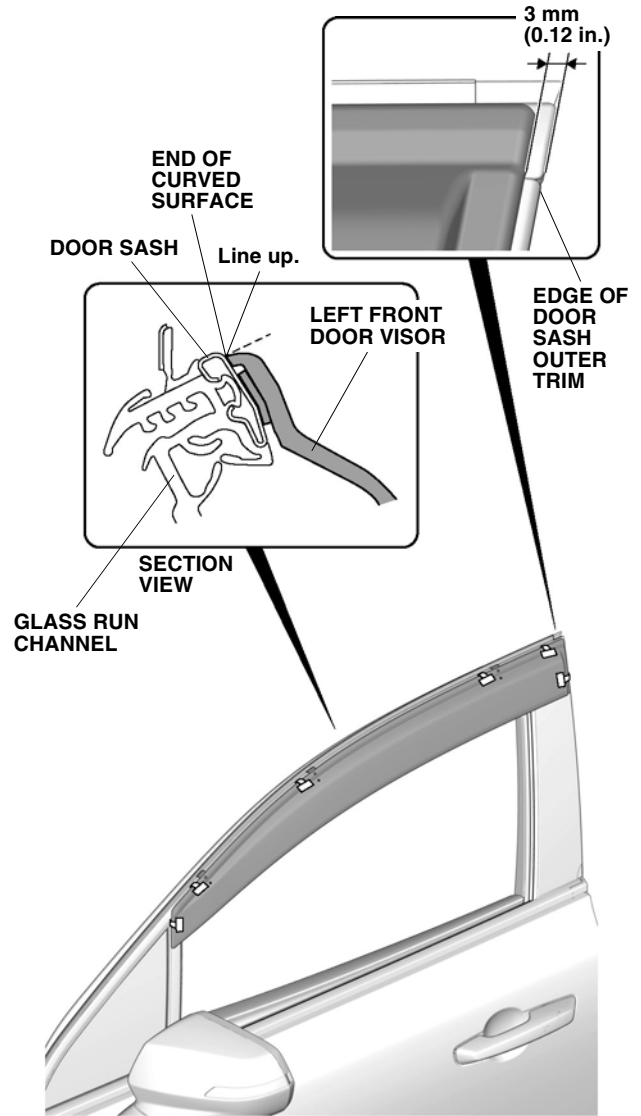
## NOTE

Be extremely careful when installing the clips; they cannot be reinstalled after installation.



QMN0307BU

10. Line up the left front door visor.

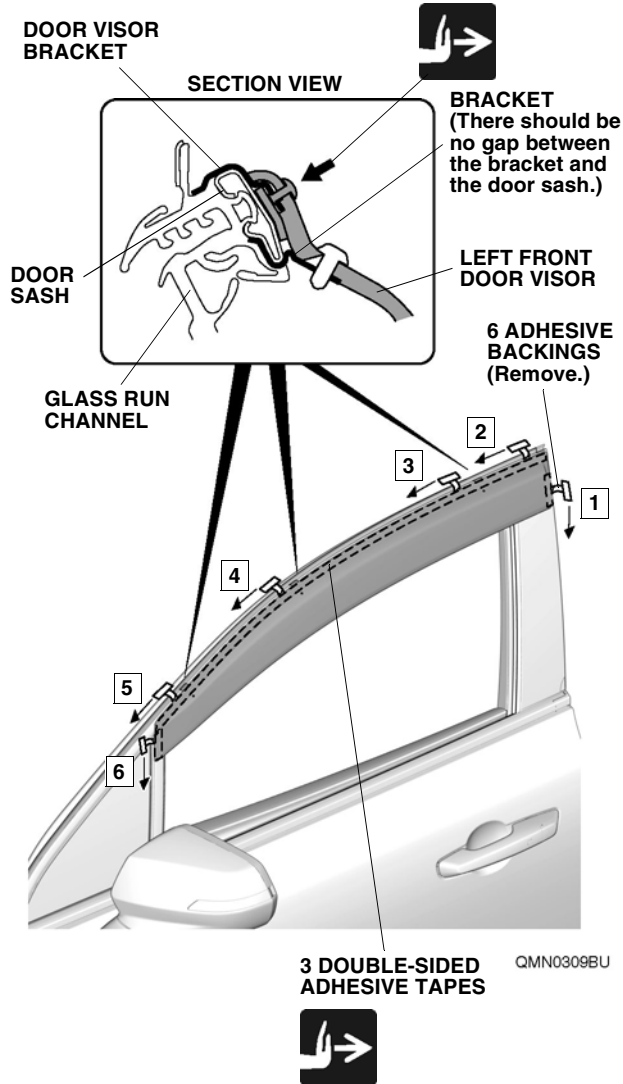


QMN0308BU

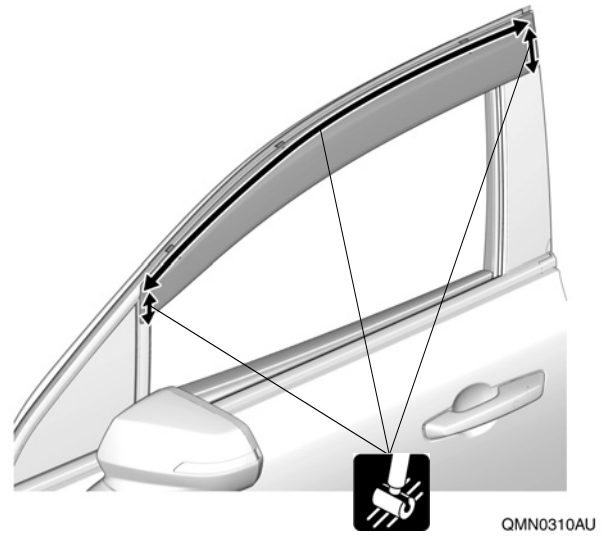
## 11. Secure the left front door visor.

### NOTE

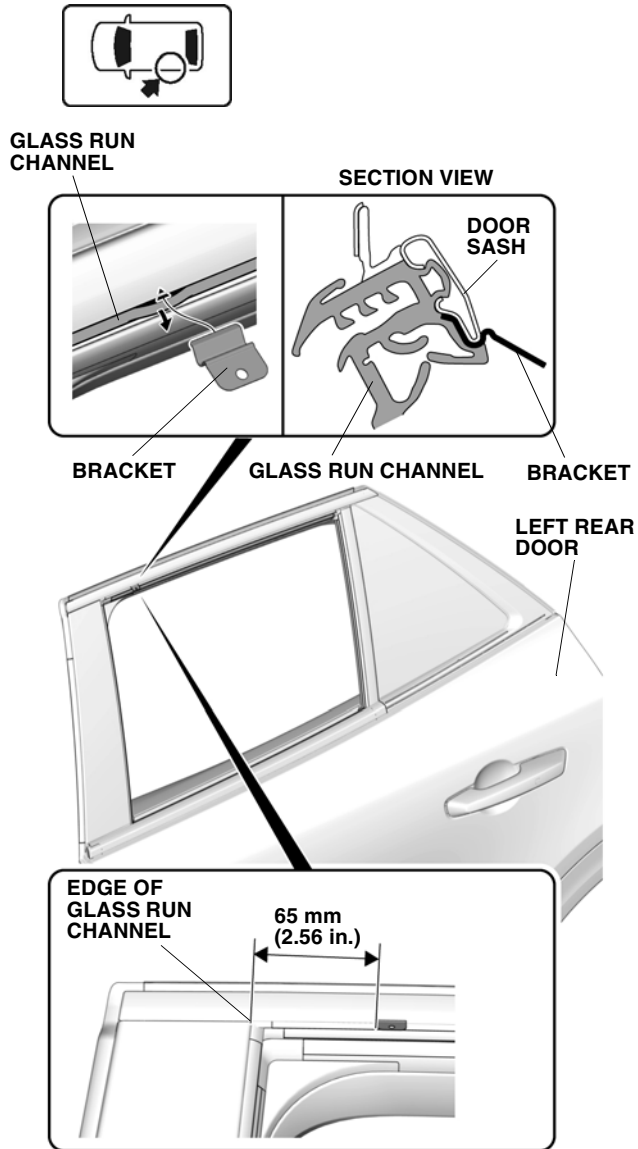
- Make sure that the door visor is installed in the correct position.
- Secure in the order shown.
- Check the position of the double-sided adhesive tapes and make sure to press firmly.



## 12. Secure the left front door visor.



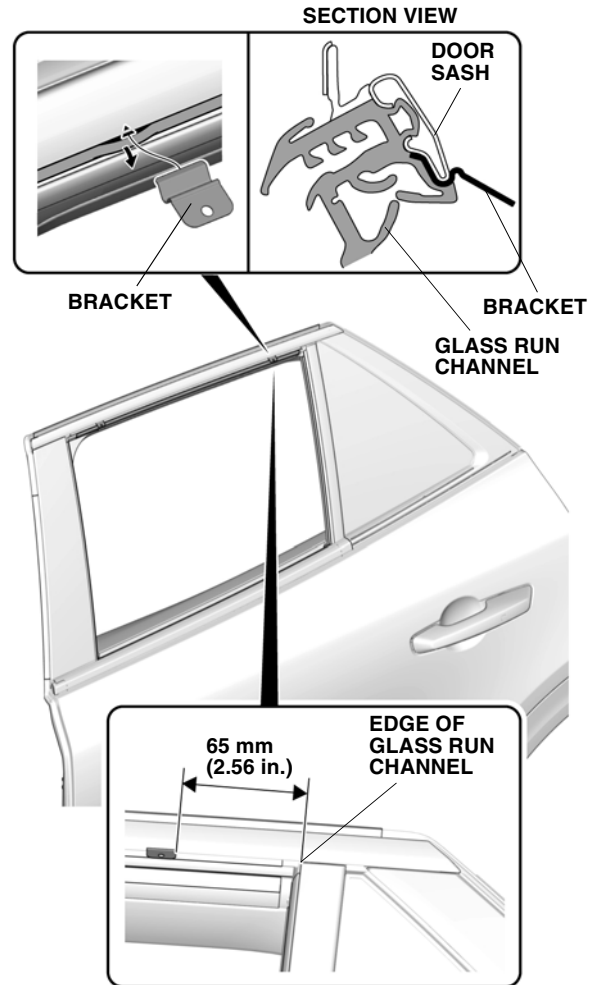
13. Fully open the left rear window.



QMN0311BU

14. Install the bracket.

15. Install the bracket.



QMN0312BU

16. Install the glass run channel.

### NOTE

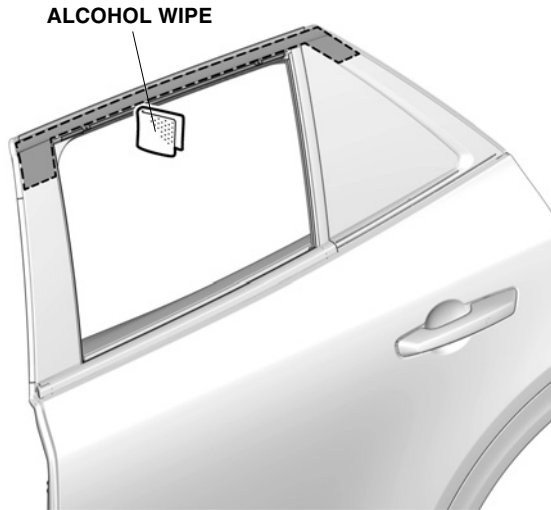
Make sure to correctly install the glass run channel.



17. Clean the attaching area.

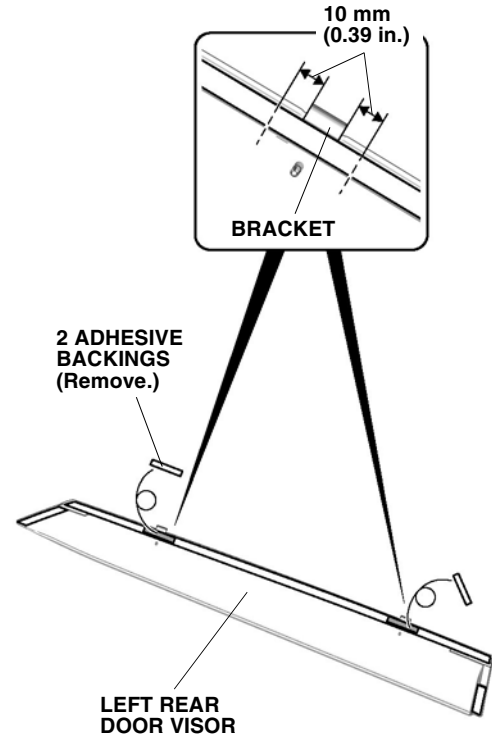
**NOTE**

Allow to dry thoroughly.



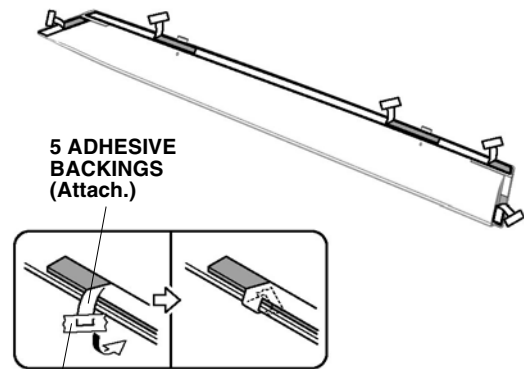
QMN0313AU

18. Cut the adhesive backings.



QMN0314BU

19. Remove the adhesive backings.  
20. Temporarily attach the adhesive backings.

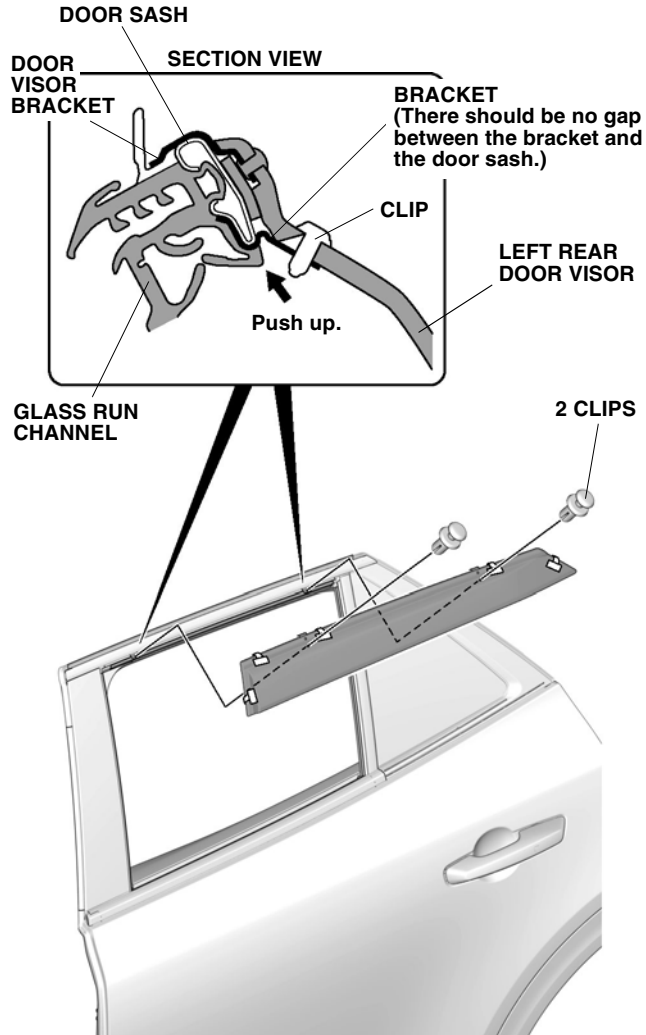


QMN0315BU

21. Install the left rear door visor.

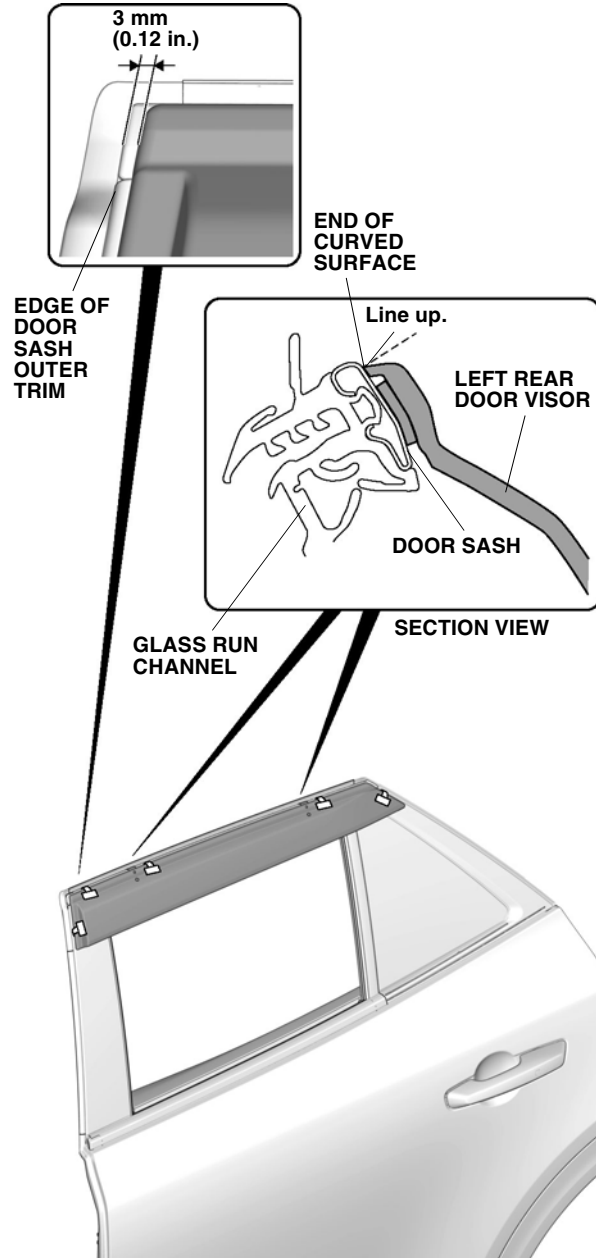
## NOTE

Be extremely careful when installing the clips; they cannot be reinstalled after installation.



QMN0316BU

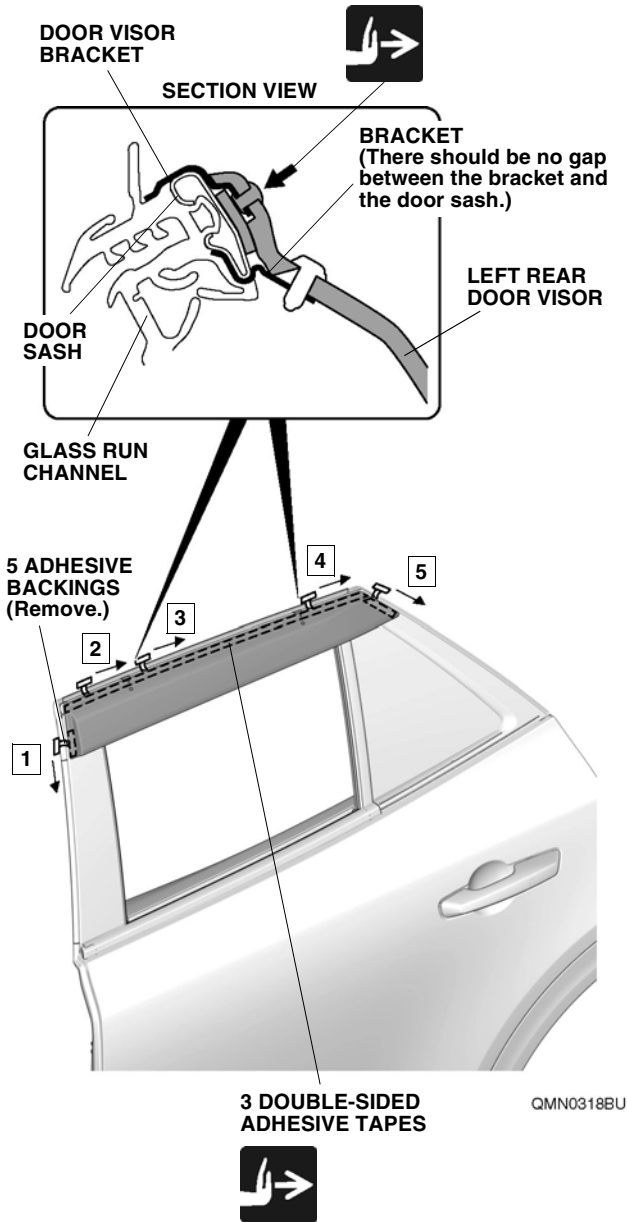
22. Line up the left rear door visor.



QMN0317BU

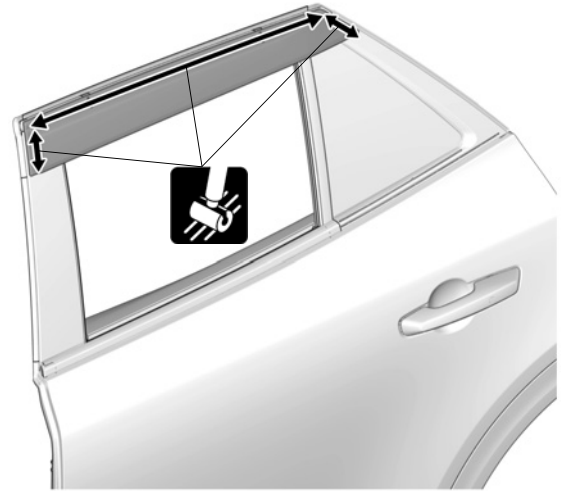
23. Secure the left rear door visor.

<b>NOTE</b>
<ul style="list-style-type: none"> <li>• Make sure that the door visor is installed in the correct position.</li> <li>• Secure in the order shown.</li> <li>• Check the position of the double-sided adhesive tapes and make sure to press firmly.</li> </ul>



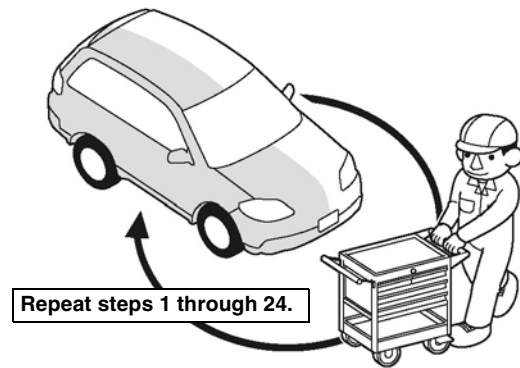
QMN0318BU

24. Secure the left rear door visor.



QMN0319AU

25. Repeat the same procedures on the other side.



Q9D1014AM

26. Check that all parts are installed properly.

<Resetting the Power Window Control Unit>

<b>NOTE</b>
Refer to the service information.

27. Perform the resetting.

Please give your customer a copy of this page.

## DOOR VISOR

### Use and Care

- To avoid damaging the surface, never use ammonia-based cleaners or solvents to clean the door visor.
- Clean with a solution of mild dishwashing soap and water using a soft cloth or chamois.