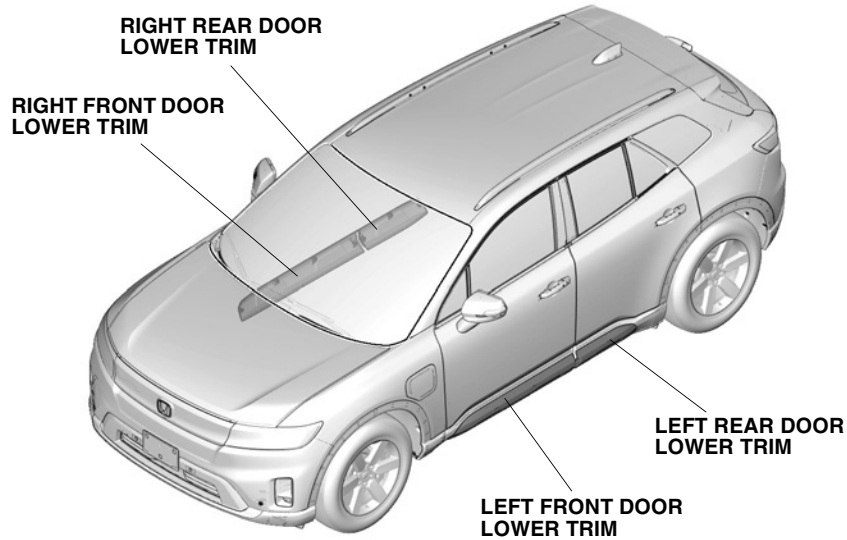




INSTALLATION INSTRUCTIONS

<p>Accessory</p> <p>DOOR LOWER TRIMS</p>	<p>Application</p> <p>2024 PROLOGUE MODEL SERIES</p>	<p>Publications No.</p> <p>VERSION 1</p>
		<p>Issue Date</p> <p>MAR 2024</p>

GENERAL VIEW



QM00901AT

FOR YOUR SAFETY (Read carefully.)

Warning Symbols

Safety: Your safety, and the safety of others, is important. To help you make informed decisions about service procedures, we have provided safety messages where appropriate. Of course, it is not practical or possible to warn you about all the hazards associated with servicing a vehicle - you must use your own good judgment.

You will find important safety messages preceded by one of the following symbols:

*All symbols are not used in all installation instructions.

⚠ DANGER

You will be killed or seriously hurt if you do not follow the instructions.

⚠ WARNING

You can be killed or seriously hurt if you do not follow the instructions.

⚠ CAUTION

You can be hurt if you do not follow the instructions.

NOTICE

Gives advice to prevent damage to the product, vehicle, the environment or other property.

NOTE

Gives helpful information or instructions to be followed when installing this product.

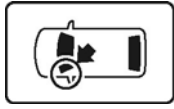


Indicates a prohibited action.

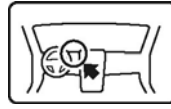
Procedure and Location Icons

These icons indicate the work location and the worker's point of view.

*All icons are not used in all installation instructions.



The location on the vehicle.



The location in the vehicle.
(Instrument panel.)



Wear eye protection.



Wear heavy gloves.



Use an assistant.



Place the part on a blanket.



Work perpendicular.



Remove any burrs.



Use touch-up paint and allow to dry.



Tighten to the specified torque.



Apply firm pressure while rolling, especially at the ends, to set the adhesive.



Press firmly.



Clean with isopropyl alcohol.



Return the original part to the customer.
(Do not reuse.)

Safety: General

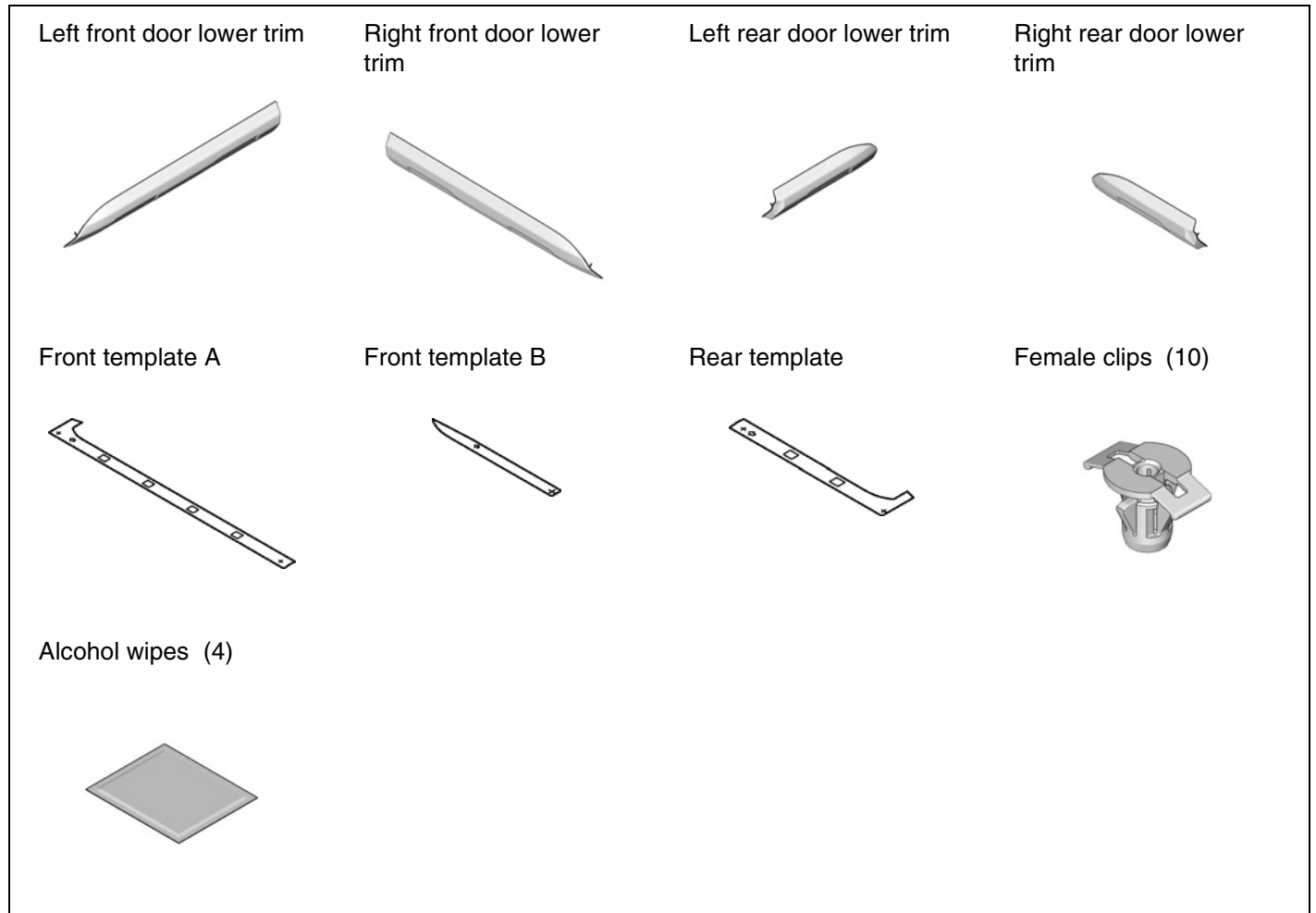
- Be careful not to damage the vehicle or the parts.
- The illustrations may differ slightly from the actual accessory.

Safety: Accessory

- Always use the parts and tools specified in the installation instructions.
- Do not install the accessory on a dirty surface or in direct sunlight.
- Make sure the ambient air temperature is 60°F (15°C) or above when installing accessories that use adhesive material.
- When pressing the accessory firmly with the palm of your hand, be careful not to damage it or the vehicle.
- When applying adhesive material, make sure it is lined up properly before attaching. Once the adhesive material touches the surface, do not try to remove it. If you do, you could damage the part.
- Do not wash the vehicle for 24 hours to allow the adhesive to cure.

PARTS LIST

Door Lower Trim Kit (P/N 08F57-PS2-100)



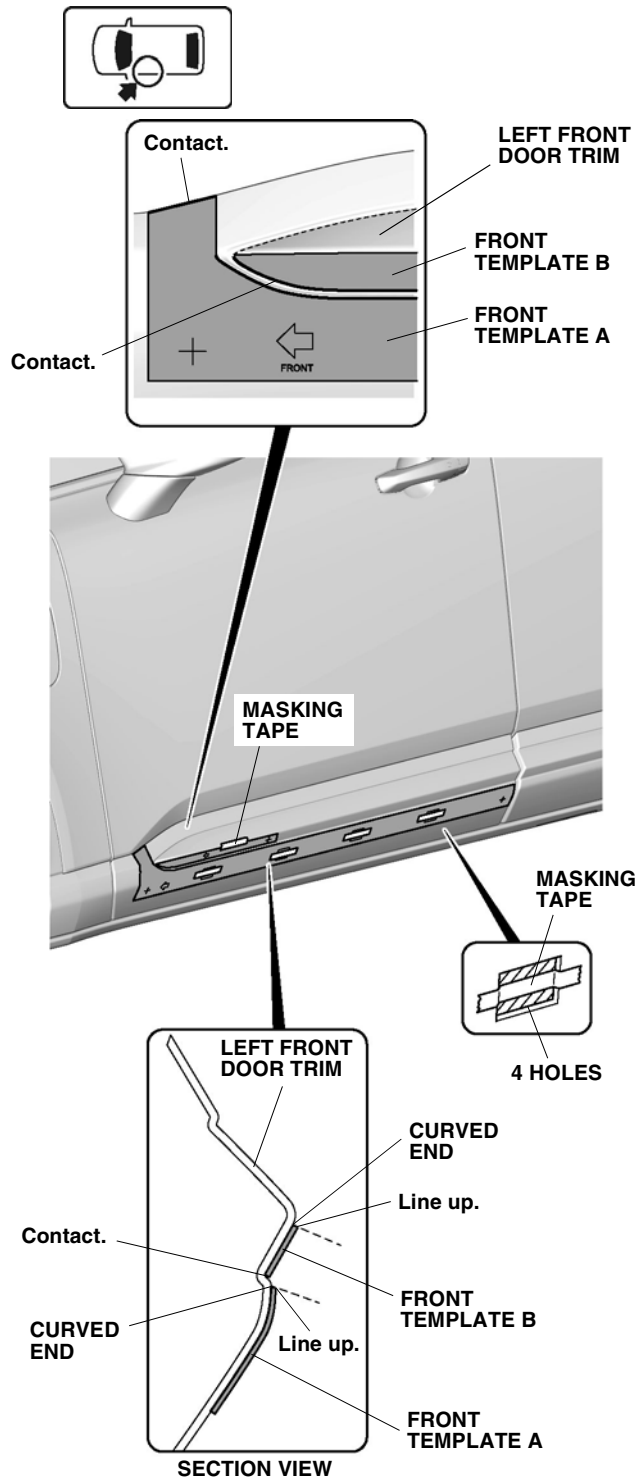
REQUIRED TOOLS AND SUPPLIES

- Pushpin
- File
- Masking tape
- Ruler
- Drill
- 3 mm, 6 mm, 8 mm, 10 mm, and 12 mm Drill bits
- Eye protection (face shield, safety goggles, etc.)

The following tool is available through the Honda Tool and Equipment Program:
Rubber Roller (T/N MHLE54D)

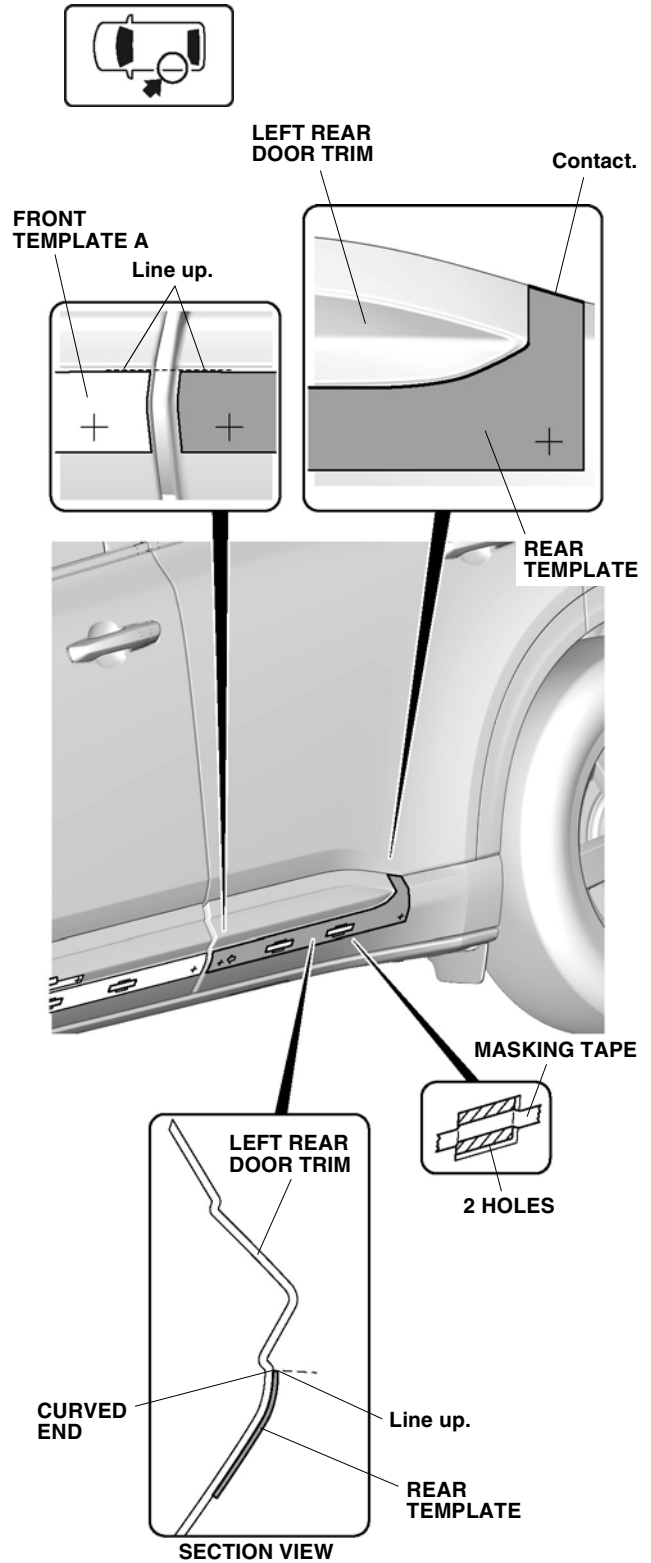
INSTALLATION

1. Secure the front templates A and B.



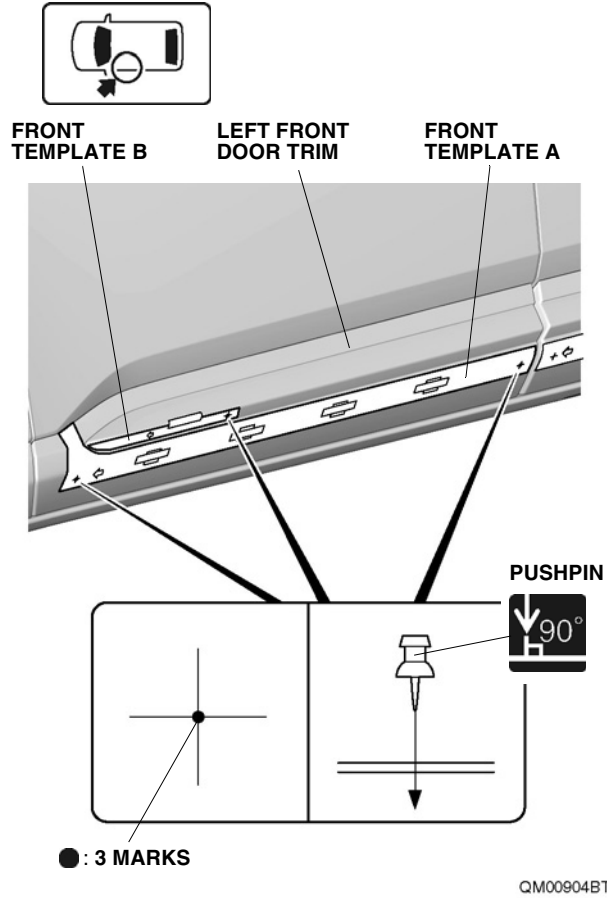
QM00902BT

2. Secure the rear template.

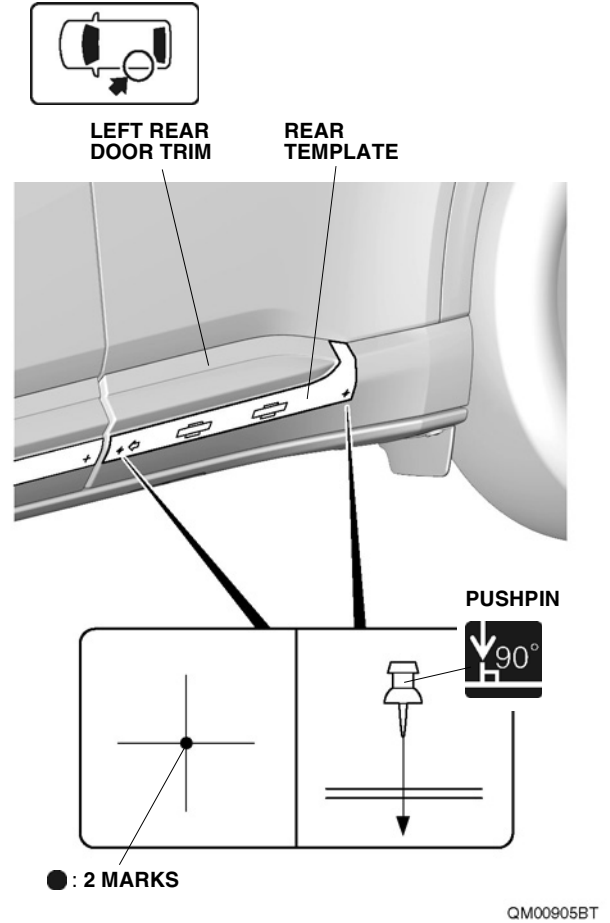


QM00903BT

3. Pierce the left front door trim.



4. Pierce the left rear door trim.

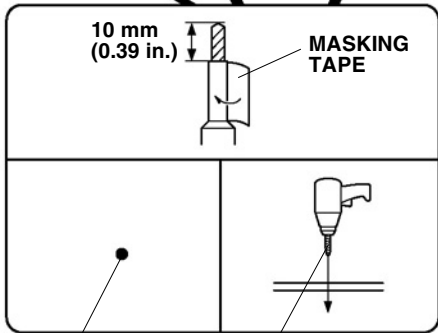
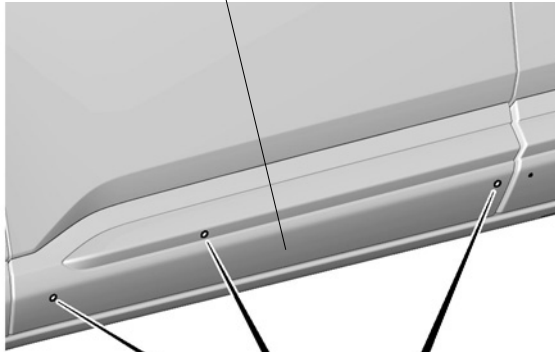


5. Remove the front templates A, B and rear template.

6. Drill the left front door trim.



LEFT FRONT
DOOR TRIM



● : 3 MARKS

3 mm → 6 mm → 8 mm →
10 mm → 12 mm
DRILL BITS

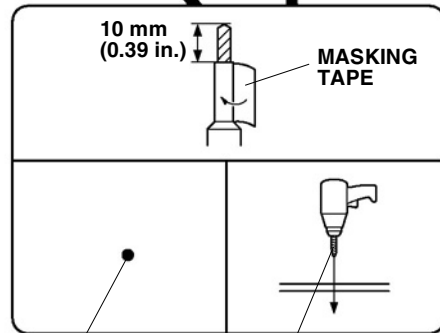
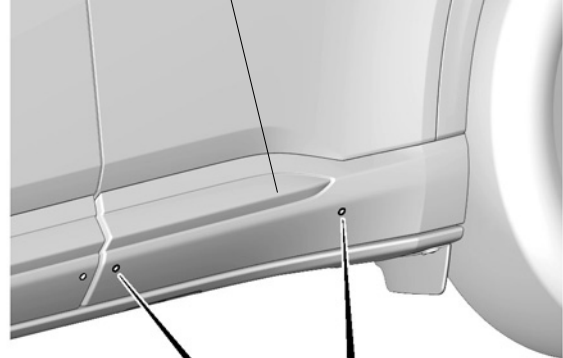
QM00906BT



7. Drill the left rear door trim.



LEFT REAR
DOOR TRIM



● : 2 MARKS

3 mm → 6 mm → 8 mm →
10 mm → 12 mm
DRILL BITS

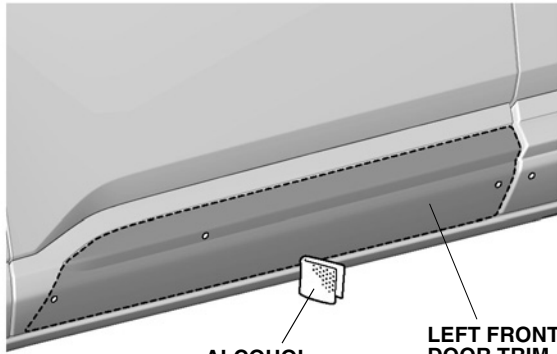
QM00907BT



8. Clean the attaching area.

NOTE

Allow to dry thoroughly.



ALCOHOL
WIPE

LEFT FRONT
DOOR TRIM

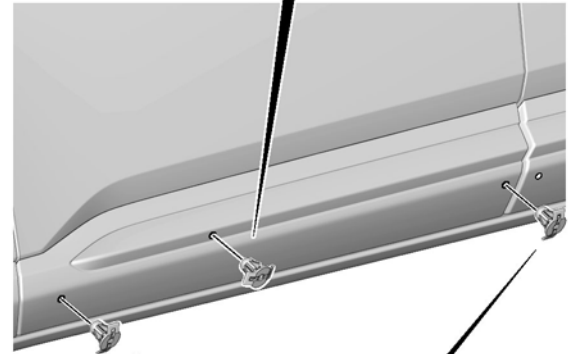
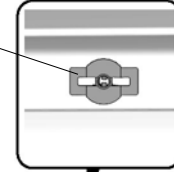
QM00908BT

9. Install the female clips.

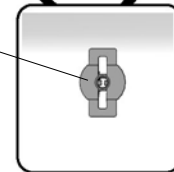
NOTE

Make sure to install the female clip in the correct orientation.

FEMALE
CLIP

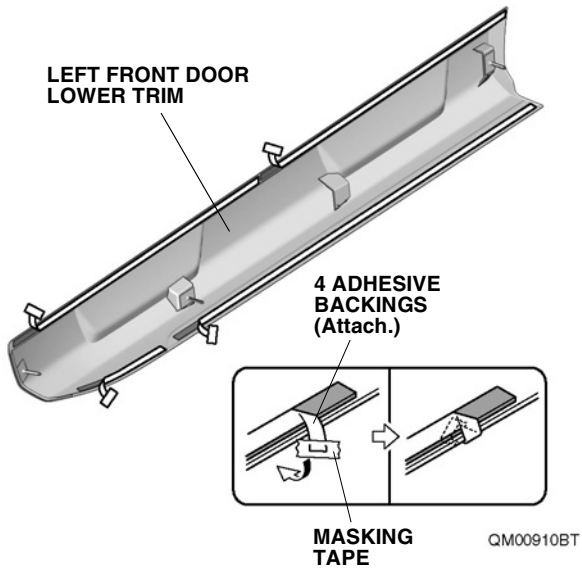


2 FEMALE
CLIPS



QM00909BT

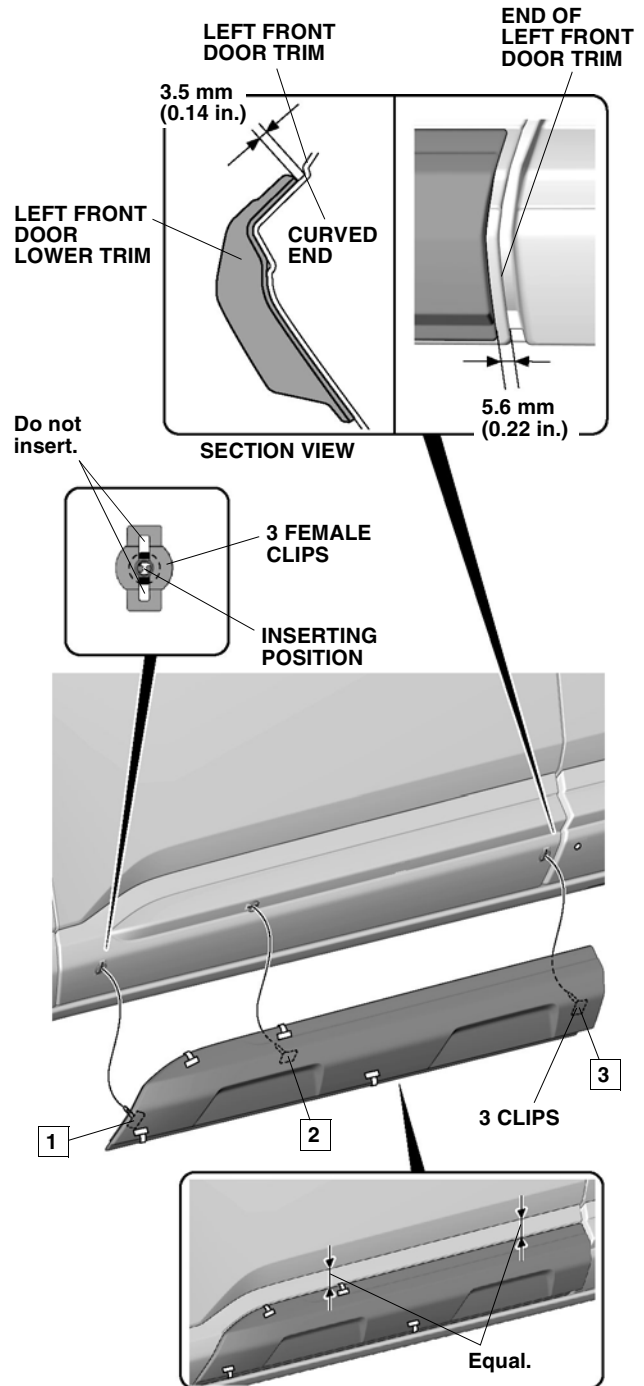
10. Temporarily attach the adhesive backings.



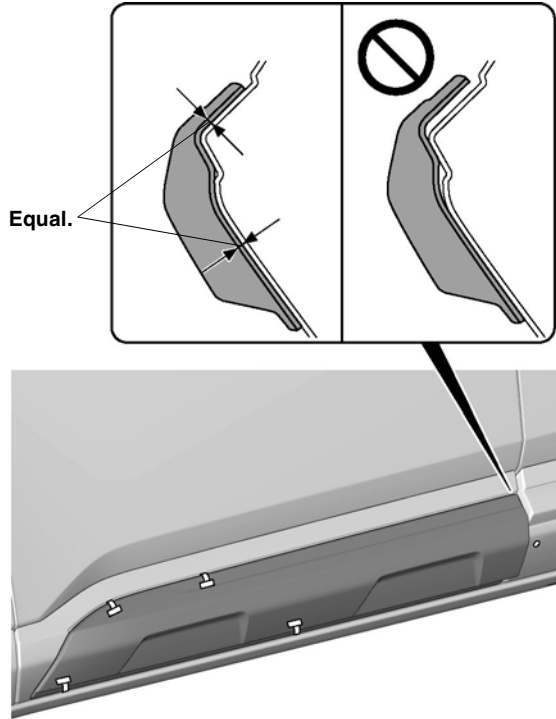
11. Install the left front door lower trim.

NOTE

- Install in the order shown.
- Make sure to insert the clip in the correct position.
- Make sure all the clips are inserted into the holes before pushing the clips in.



12. Check the left front lower trim.

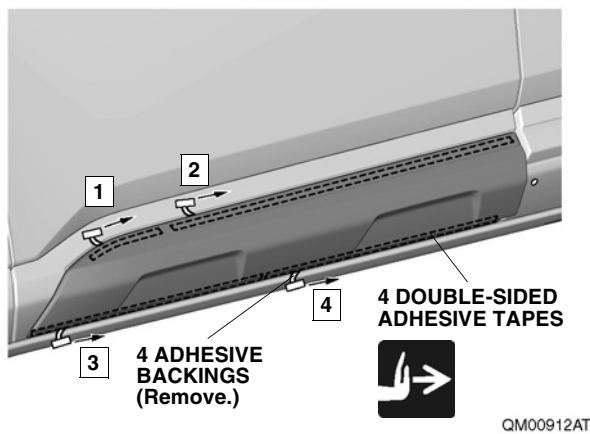


QM00830BT

13. Secure the left front door lower trim.

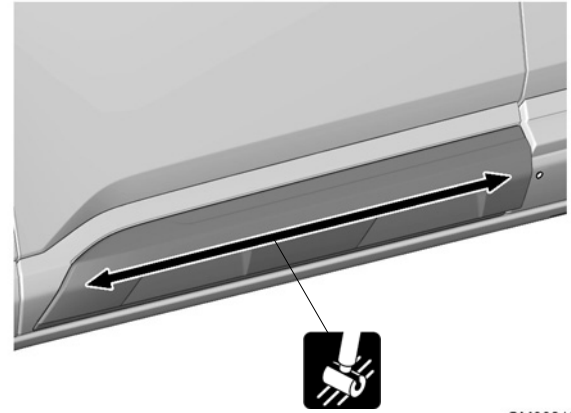
NOTE

- Install in the order shown.
- Check the position of the double-sided adhesive tapes and make sure to press firmly.



QM00912AT

14. Secure the left front door lower trim.

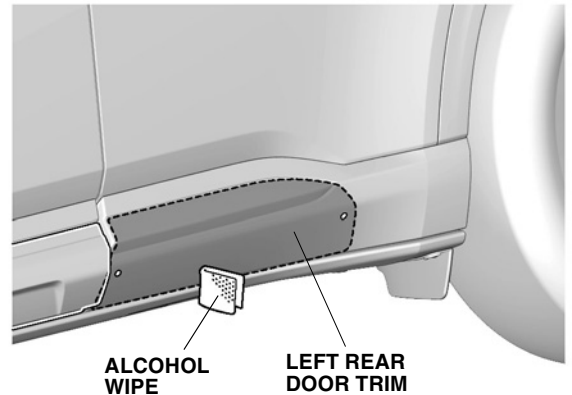
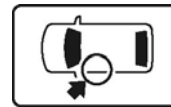


QM00913AT

15. Clean the attaching area.

NOTE

Allow to dry thoroughly.

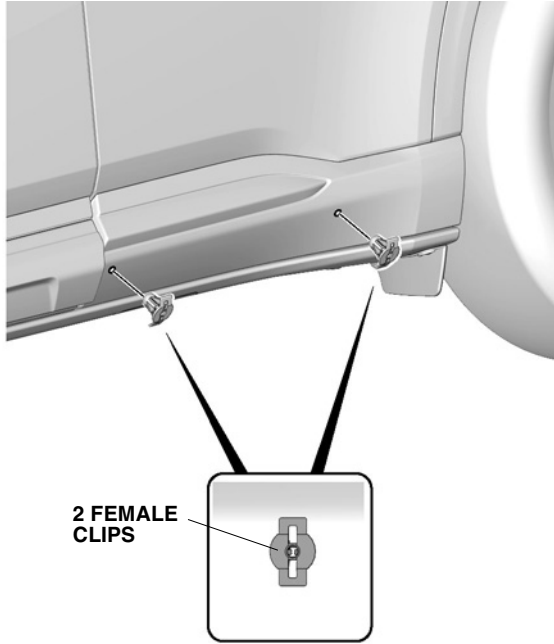


QM00914BT

16. Install the female clips.

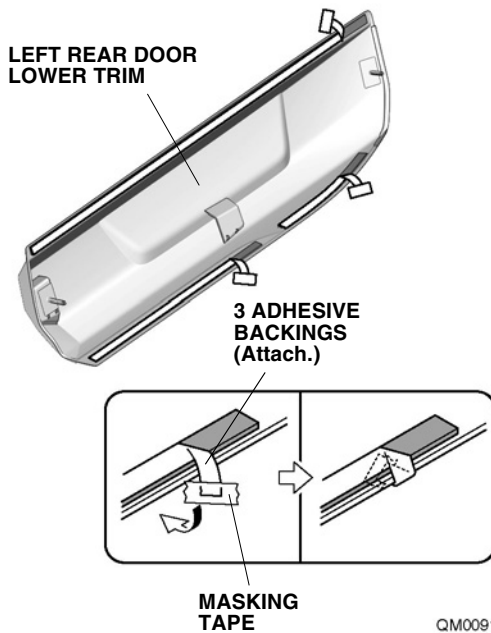
NOTE

Make sure to install the female clip in the correct orientation.



QM00915BT

17. Temporarily attach the adhesive backings.

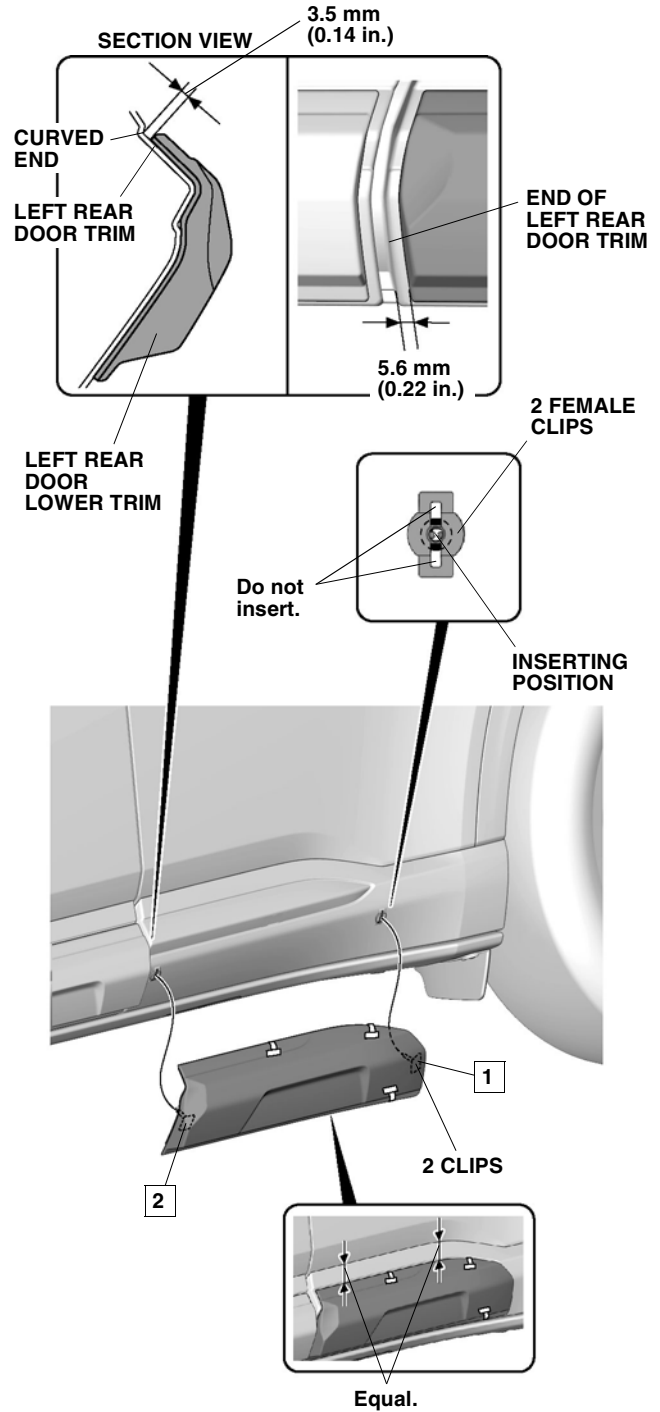


QM00916BT

18. Install the left rear door lower trim.

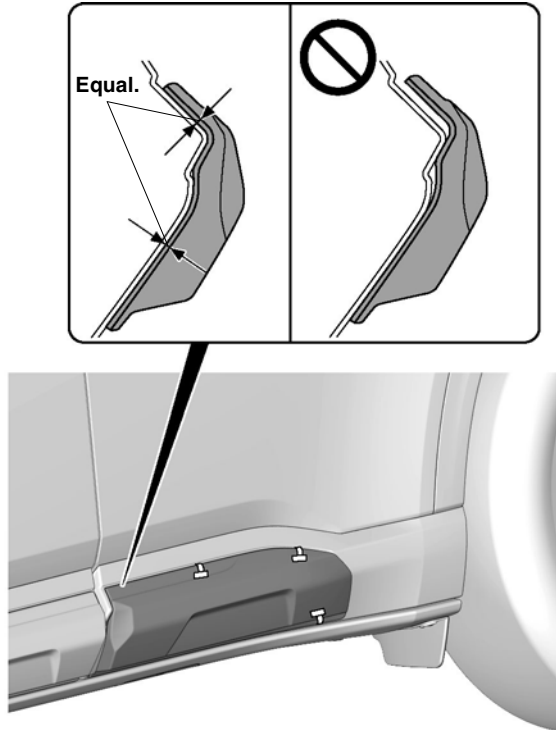
NOTE

- Install in the order shown.
- Make sure to insert the clip in the correct position.
- Make sure all the clips are inserted into the holes before pushing the clips in.



QM00917DT

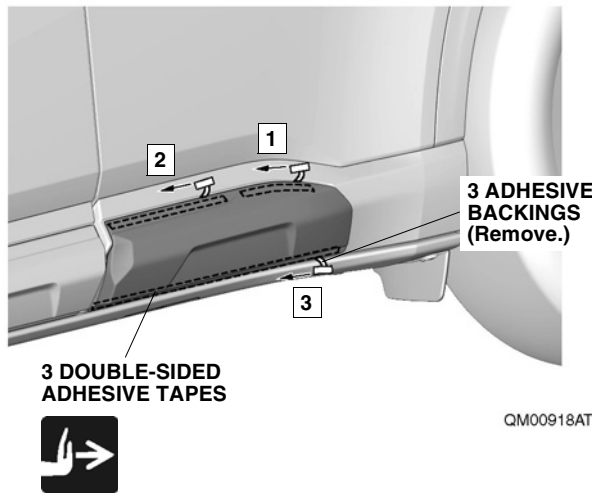
19. Check the left rear lower trim.



QM00931BT

20. Secure the left rear door lower trim.

NOTE
<ul style="list-style-type: none"> • Install in the order shown. • Check the position of the double-sided adhesive tapes and make sure to press firmly.



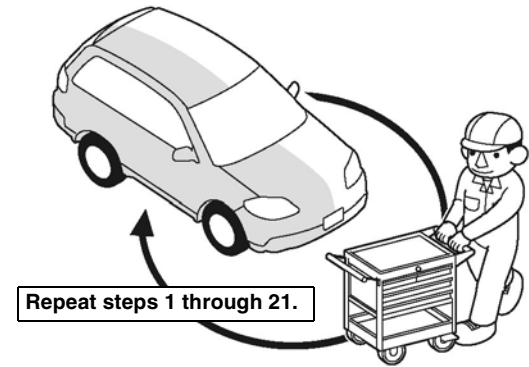
QM00918AT

21. Secure the left rear door lower trim.



QM00919AT

22. Flip the front templates A, B and rear template.
23. Repeat the same procedures on the other side.



Q9D1014AM

24. Check that all parts are installed properly.