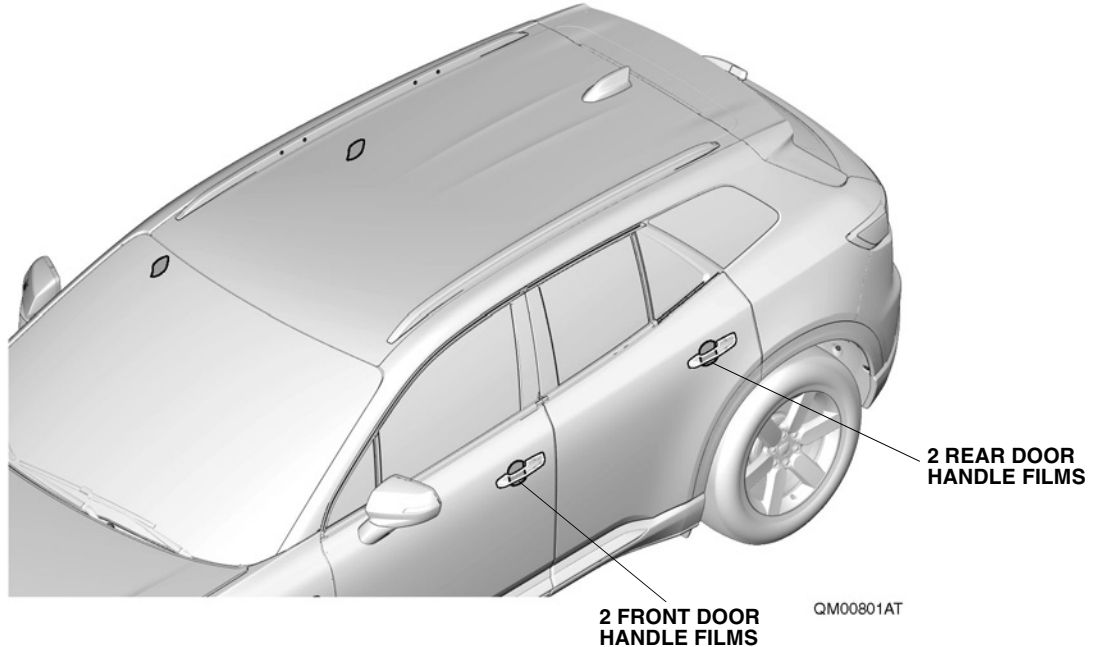




## INSTALLATION INSTRUCTIONS

<b>Accessory</b>  DOOR HANDLE FILMS	<b>Application</b>  2024 PROLOGUE MODEL SERIES	<b>Publications No.</b> VERSION 1
		<b>Issue Date</b> FEB 2024

### GENERAL VIEW



### FOR YOUR SAFETY (Read carefully.)

#### Warning Symbols

**Safety:** Your safety, and the safety of others, is important. To help you make informed decisions about service procedures, we have provided safety messages where appropriate. Of course, it is not practical or possible to warn you about all the hazards associated with servicing a vehicle - you must use your own good judgment.

You will find important safety messages preceded by one of the following symbols:

\*All symbols are not used in all installation instructions.



**DANGER**

You will be killed or seriously hurt if you do not follow the instructions.



**WARNING**

You can be killed or seriously hurt if you do not follow the instructions.



**CAUTION**

You can be hurt if you do not follow the instructions.



**NOTICE**

Gives advice to prevent damage to the product, vehicle, the environment or other property.



**NOTE**

Gives helpful information or instructions to be followed when installing this product.

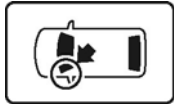


Indicates a prohibited action.

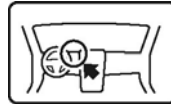
## Procedure and Location Icons

These icons indicate the work location and the worker's point of view.

\*All icons are not used in all installation instructions.



The location on the vehicle.



The location in the vehicle.  
(Instrument panel.)



Wear eye protection.



Wear heavy gloves.



Use an assistant.



Place the part on a blanket.



Work perpendicular.



Remove any burrs.



Use touch-up paint and allow to dry.



Tighten to the specified torque.



Apply firm pressure while rolling, especially at the ends, to set the adhesive.



Press firmly.



Clean with isopropyl alcohol.



Return the original part to the customer.  
(Do not reuse.)

## Safety: General




- Be careful not to damage the vehicle or the parts.
- The illustrations may differ slightly from the actual accessory.

## Safety: Accessory

- Always use the parts and tools specified in the installation instructions.
- Do not install the accessory on a dirty surface or in direct sunlight.
- Make sure the ambient air temperature is 60°F (15°C) or above when installing accessories that use adhesive material.
- When applying adhesive material, make sure it is lined up properly before attaching. Once the adhesive material touches the surface, do not try to remove it. If you do, you could damage the part.
- Cover nearby parts with a shop towel to prevent getting them wet.
- Always wear gloves when working with 3M protective tape application solution.
- Use 3M protective tape application solution with a spray bottle.
- Do not wash the vehicle for 24 hours to allow the adhesive to cure.

## PARTS LIST

### Door Handle Films Kit (P/N 08P48-PS2-100)

Front door handle films (identification mark: FR) (2)	Rear door handle films (identification mark: RR) (2)	Alcohol wipes (4)
		

## REQUIRED TOOLS AND SUPPLIES

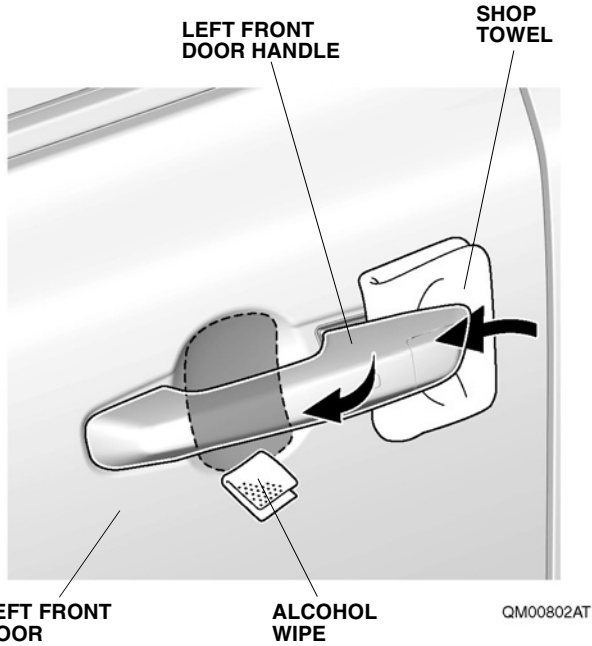
- Shop towel
- Ruler
- Gloves
- Spray bottle

The following tools are available through the Honda Tool and Equipment Program:

- 3M Protective tape application solution (P/N: 08712-0008)
- Mini Soft Spreader/Applicator (T/N SBSA2302Y5PK)

## INSTALLATION

1. Insert the shop towel.



2. Clean the attaching area.

### NOTE

Allow to dry thoroughly.

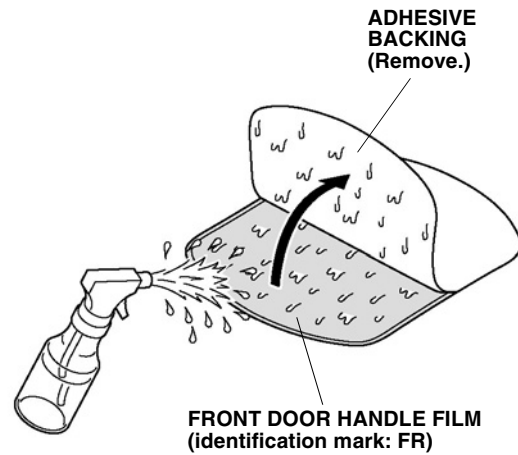
3. Spray the left front door.



4. Remove the adhesive backing.

### NOTE

Make sure to check the identification mark before installation.

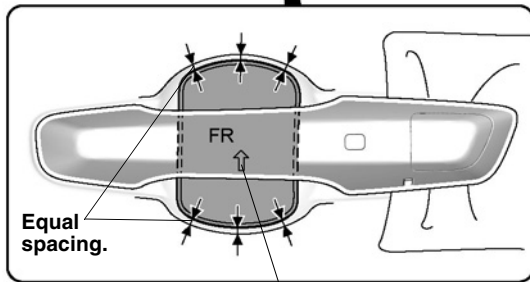
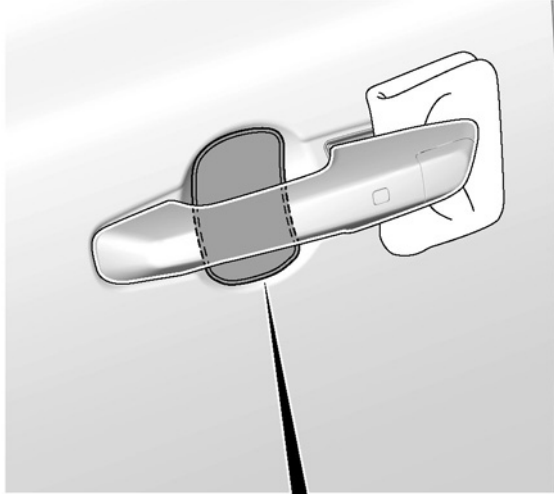


5. Spray the front door handle film.

6. Line up the front door handle film.

**NOTE**

Check the arrow mark and installation position of the door handle film.



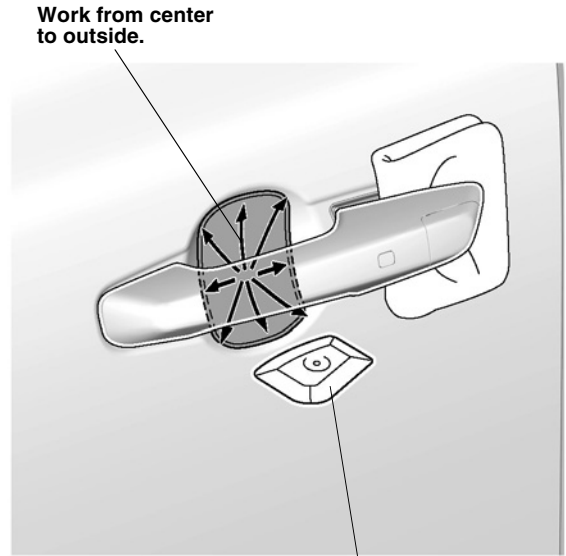
**ARROW MARK**

QM00805AT

7. Secure the front door handle film.

**NOTE**

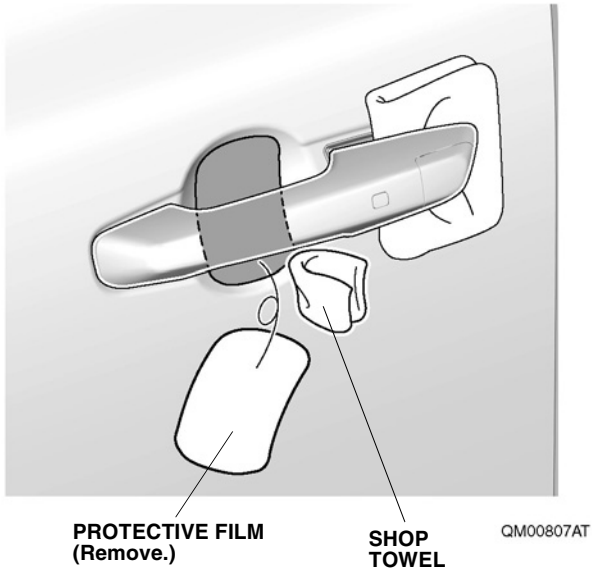
Move the mini soft spreader/applicator in one direction only.



**MINI SOFT SPREADER/  
APPLICATOR**

QM00806AT

8. Remove the protective film.



9. Wipe off the 3M protective tape application solution.

<b>NOTE</b>
-------------

Allow to dry thoroughly.
--------------------------

10. Remove the shop towel.
11. Repeat steps 1 through 10 for the remaining door handle films.
12. Check that all parts are installed properly.