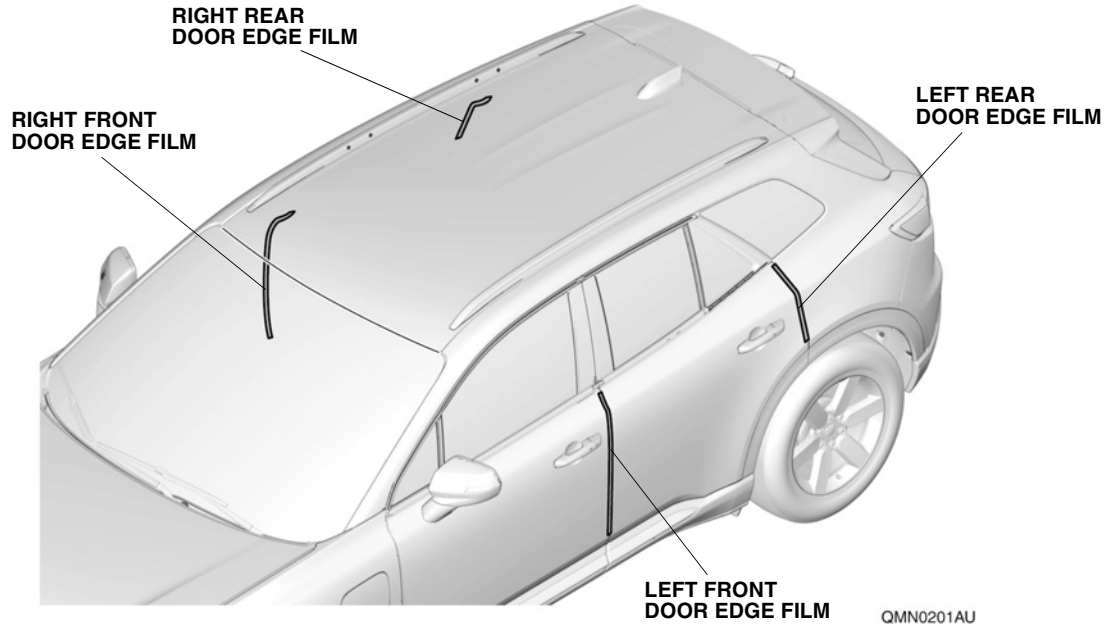




INSTALLATION INSTRUCTIONS

<p>Accessory</p> <p>DOOR EDGE FILMS</p>	<p>Application</p> <p>2024 PROLOGUE MODEL SERIES</p>	<p>Publications No.</p> <p>VERSION 1</p>
		<p>Issue Date</p> <p>FEB 2024</p>

GENERAL VIEW



FOR YOUR SAFETY (Read carefully.)

Warning Symbols

Safety: Your safety, and the safety of others, is important. To help you make informed decisions about service procedures, we have provided safety messages where appropriate. Of course, it is not practical or possible to warn you about all the hazards associated with servicing a vehicle - you must use your own good judgment.

You will find important safety messages preceded by one of the following symbols:

*All symbols are not used in all installation instructions.

⚠ DANGER

You will be killed or seriously hurt if you do not follow the instructions.

⚠ WARNING

You can be killed or seriously hurt if you do not follow the instructions.

⚠ CAUTION

You can be hurt if you do not follow the instructions.

NOTICE

Gives advice to prevent damage to the product, vehicle, the environment or other property.

NOTE

Gives helpful information or instructions to be followed when installing this product.

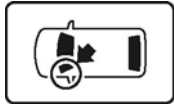


Indicates a prohibited action.

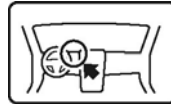
Procedure and Location Icons

These icons indicate the work location and the worker's point of view.

*All icons are not used in all installation instructions.



The location on the vehicle.



The location in the vehicle.
(Instrument panel.)



Wear eye protection.



Wear heavy gloves.



Use an assistant.



Place the part on a blanket.



Work perpendicular.



Remove any burrs.



Use touch-up paint and allow to dry.



Tighten to the specified torque.



Apply firm pressure while rolling, especially at the ends, to set the adhesive.



Press firmly.



Clean with isopropyl alcohol.



Return the original part to the customer.
(Do not reuse.)

Safety: General

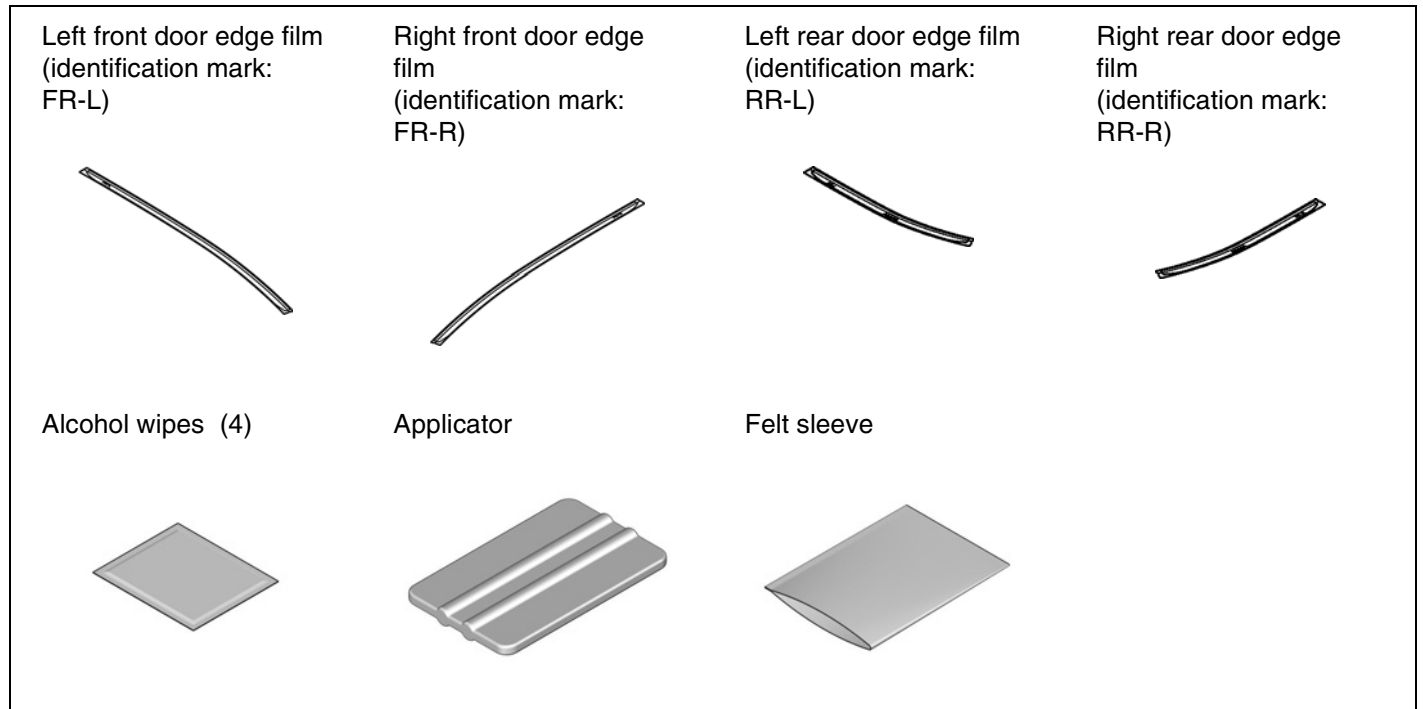
- Be careful not to damage the vehicle or the parts.
- The illustrations may differ slightly from the actual accessory.

Safety: Accessory

- Always use the parts and tools specified in the installation instructions.
- Do not install the accessory on a dirty surface or in direct sunlight.
- Make sure the ambient air temperature is 60°F (15°C) or above when installing accessories that use adhesive material.
- When applying adhesive material, make sure it is lined up properly before attaching. Once the adhesive material touches the surface, do not try to remove it. If you do, you could damage the part.
- Cover nearby parts with a shop towel to prevent getting them wet.
- Always wear gloves when working with 3M protective tape application solution.
- Use 3M protective tape application solution with a spray bottle.
- Do not wash the vehicle for 24 hours to allow the adhesive to cure.

PARTS LIST

Door Edge Film Kit (P/N 08P20-PS2-100)



REQUIRED TOOLS AND SUPPLIES

- Shop towel
- Spray bottle
- Gloves
- Ruler

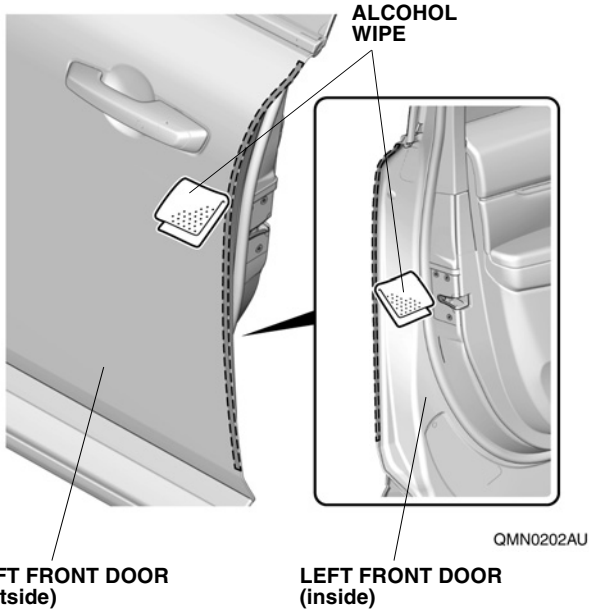
The following tool is available through the Honda Tool and Equipment Program:
3M Protective tape application solution (P/N: 08712-0008)

INSTALLATION

1. Clean the attaching area.

NOTE

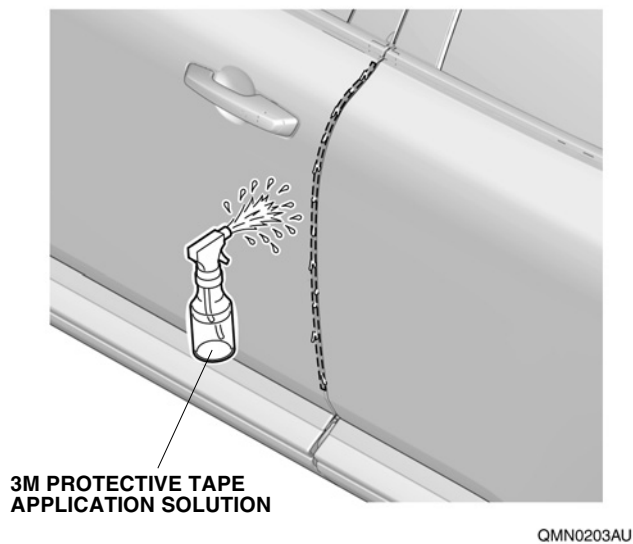
Allow to dry thoroughly.



2. Spray the left front door.

NOTE

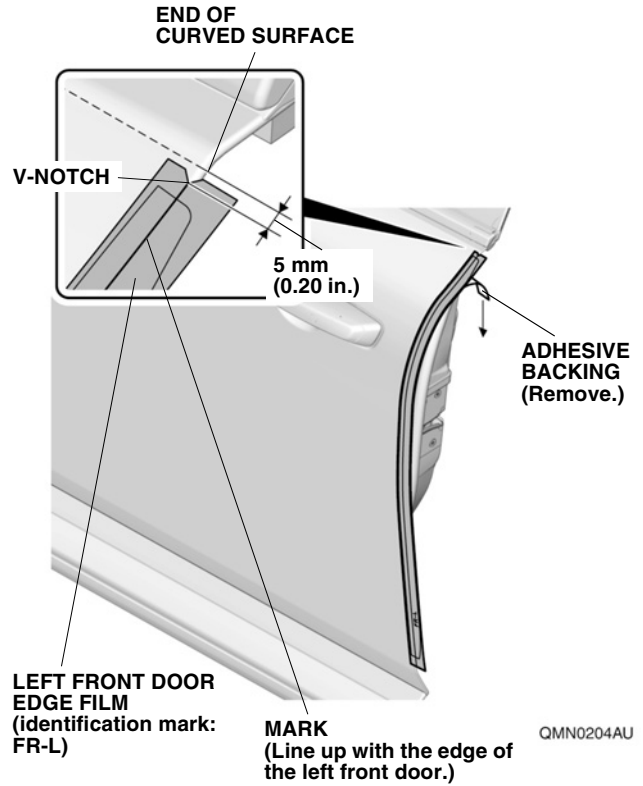
Spray the outer surface of the door only.



3. Attach the left front door edge film.

NOTE

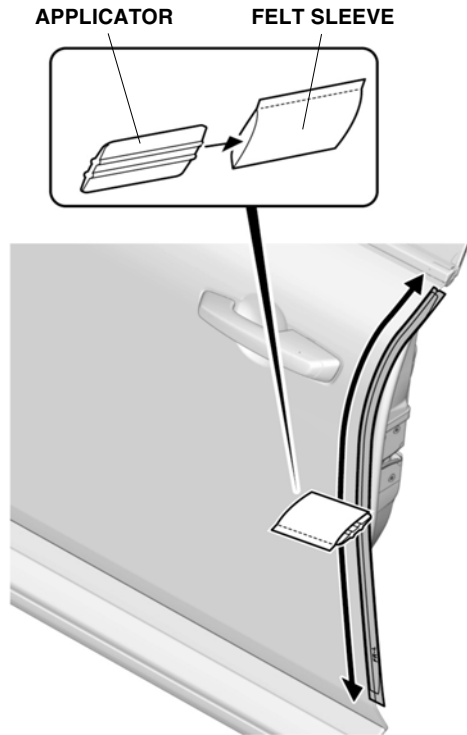
Make sure to check the identification mark before installation.



4. Secure the left front door edge film.

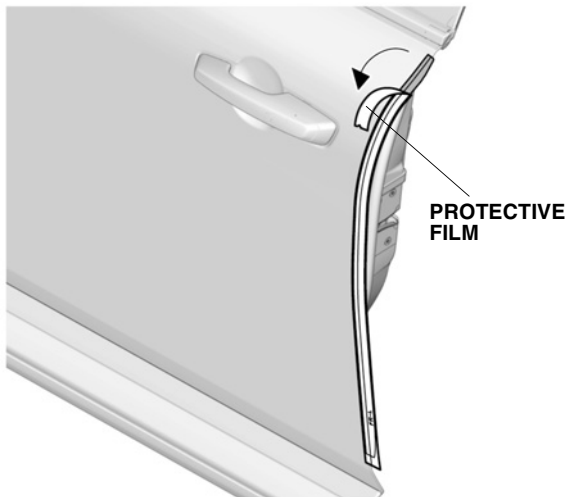
NOTE

- Move the felt sleeve in one direction only.
- Make sure that there are no air bubbles.



QMN0205AU

5. Remove the protective film.

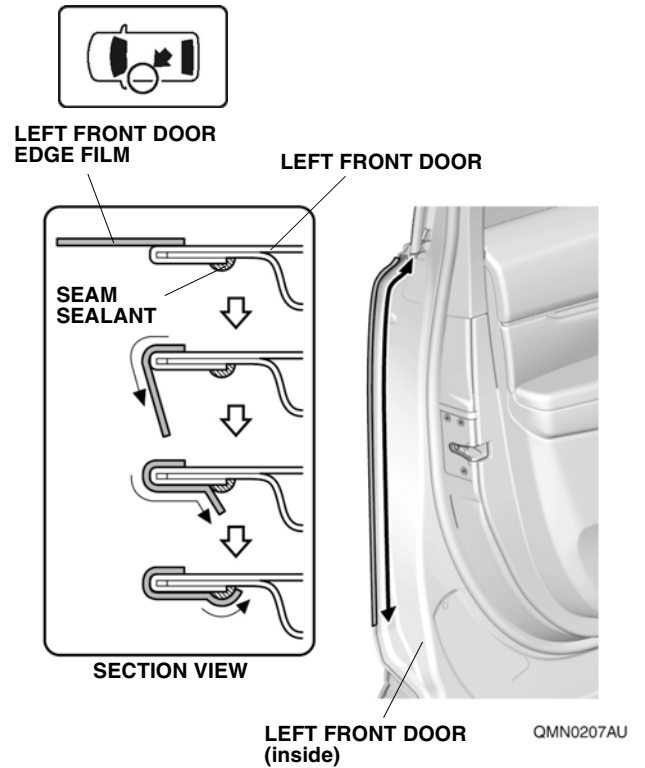


QMN0206AU

6. Secure the left front door edge film.

NOTE

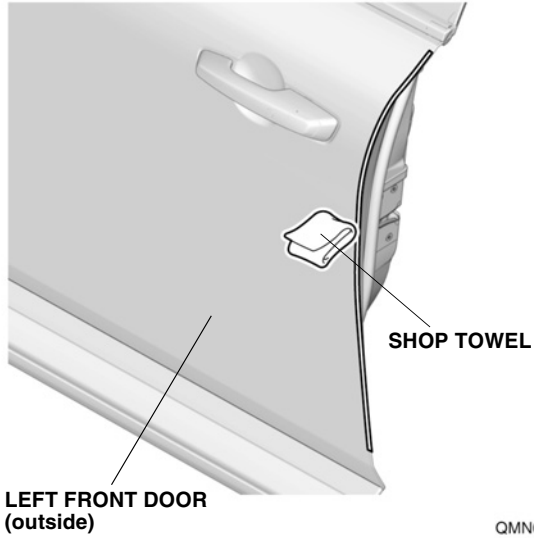
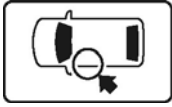
- Do not trim or damage the seam sealant.
- Make sure to prevent air from entering.



7. Wipe the 3M protective tape application solution.

NOTE

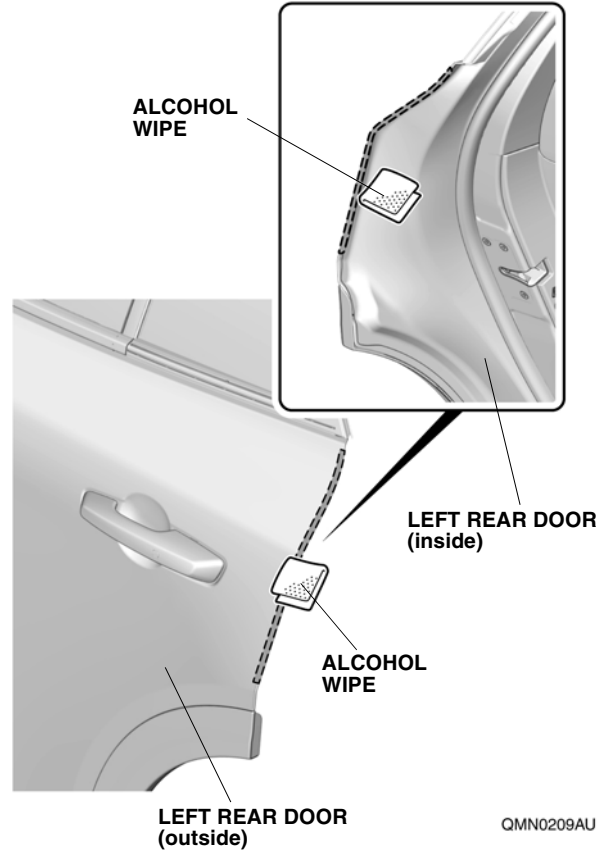
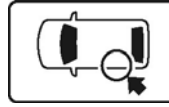
Allow to dry thoroughly.



8. Clean the attaching area.

NOTE

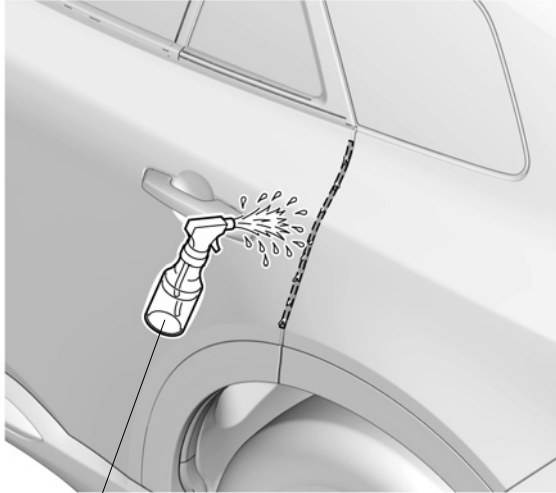
Allow to dry thoroughly.



9. Spray the left rear door.

NOTE

Spray the outer surface of the door only.



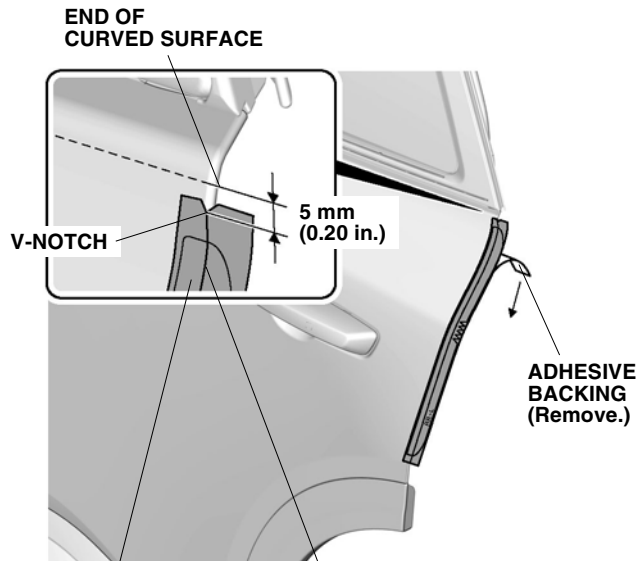
3M PROTECTIVE TAPE APPLICATION SOLUTION

QMN0210AU

10. Attach the left rear door edge film.

NOTE

Make sure to check the identification mark before installation.



LEFT REAR DOOR EDGE FILM (identification mark: RR-L)

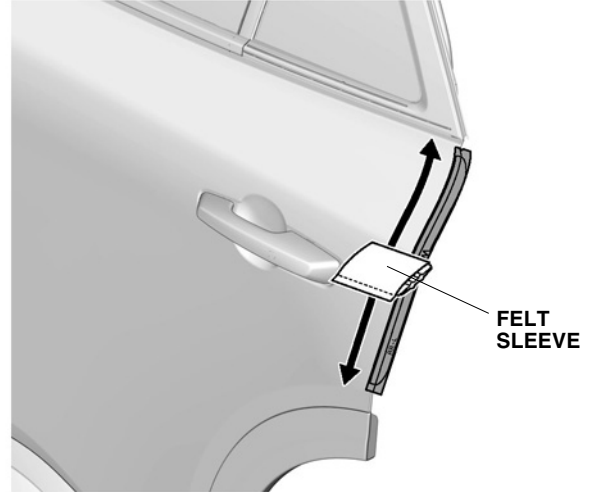
MARK (Line up with the edge of the left rear door.)

QMN0211BU

11. Secure the left rear door edge film.

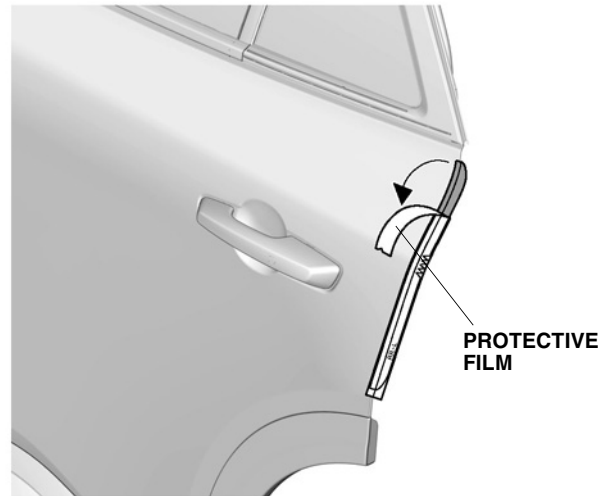
NOTE

- Move the felt sleeve in one direction only.
- Make sure that there are no air bubbles.



QMN0212BU

12. Remove the protective film.

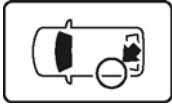


QMN0213BU

13. Secure the left rear door edge film.

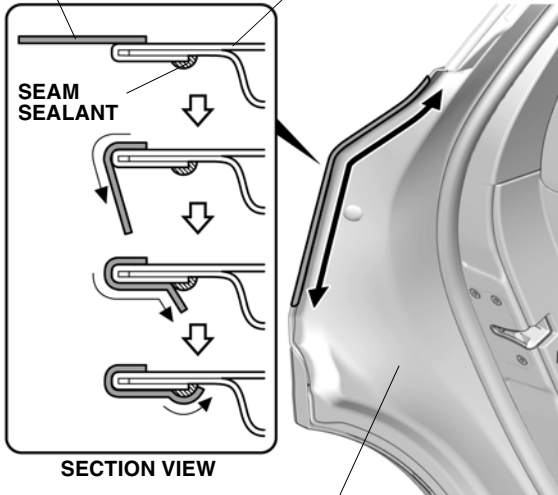
NOTE

- Do not trim or damage the seam sealant.
- Make sure to prevent air from entering.



LEFT REAR DOOR
EDGE FILM

LEFT REAR DOOR



SECTION VIEW

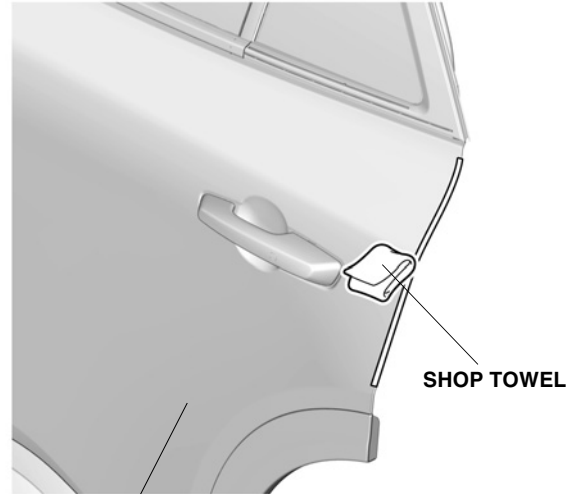
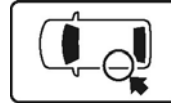
LEFT REAR DOOR
(inside)

QMN0214AU

14. Wipe the 3M protective tape application solution.

NOTE

Allow to dry thoroughly.

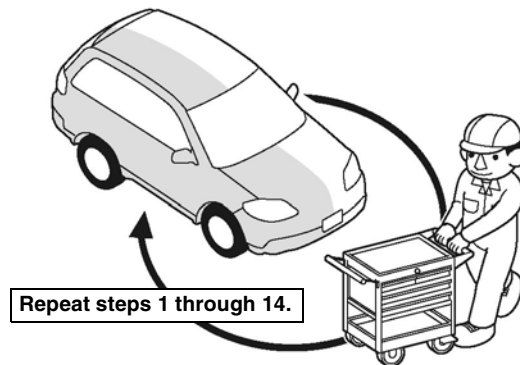


SHOP TOWEL

LEFT REAR DOOR
(outside)

QMN0215AU

15. Repeat the same procedures on the other side.



Repeat steps 1 through 14.

Q9D1014AM

16. Check that all parts are installed properly.