



INSTALLATION INSTRUCTIONS

Accessory

CROSSBARS

Application

2024 PROLOGUE
MODEL SERIES

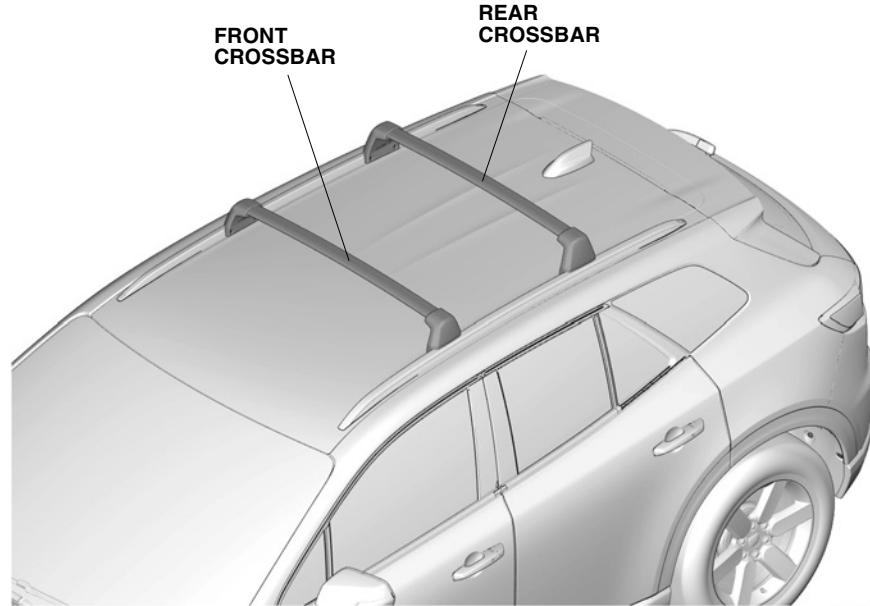
Publications No.

VERSION 1

Issue Date

MAR 2024

GENERAL VIEW



QM00701AT

FOR YOUR SAFETY (Read carefully.)

Warning Symbols

Safety: Your safety, and the safety of others, is important. To help you make informed decisions about service procedures, we have provided safety messages where appropriate. Of course, it is not practical or possible to warn you about all the hazards associated with servicing a vehicle - you must use your own good judgment.

You will find important safety messages preceded by one of the following symbols:

*All symbols are not used in all installation instructions.

 **DANGER**

You will be killed or seriously hurt if you do not follow the instructions.

 **WARNING**

You can be killed or seriously hurt if you do not follow the instructions.

 **CAUTION**

You can be hurt if you do not follow the instructions.

NOTICE

Gives advice to prevent damage to the product, vehicle, the environment or other property.

NOTE

Gives helpful information or instructions to be followed when installing this product.

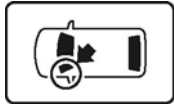


Indicates a prohibited action.

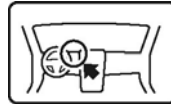
Procedure and Location Icons

These icons indicate the work location and the worker's point of view.

*All icons are not used in all installation instructions.



The location on the vehicle.



The location in the vehicle.
(Instrument panel.)



Wear eye protection.



Wear heavy gloves.



Use an assistant.



Place the part on a blanket.



Work perpendicular.



Remove any burrs.



Use touch-up paint and allow to dry.



Tighten to the specified torque.



Apply firm pressure while rolling, especially at the ends, to set the adhesive.



Press firmly.



Clean with isopropyl alcohol.



Return the original part to the customer.
(Do not reuse.)

Safety: General

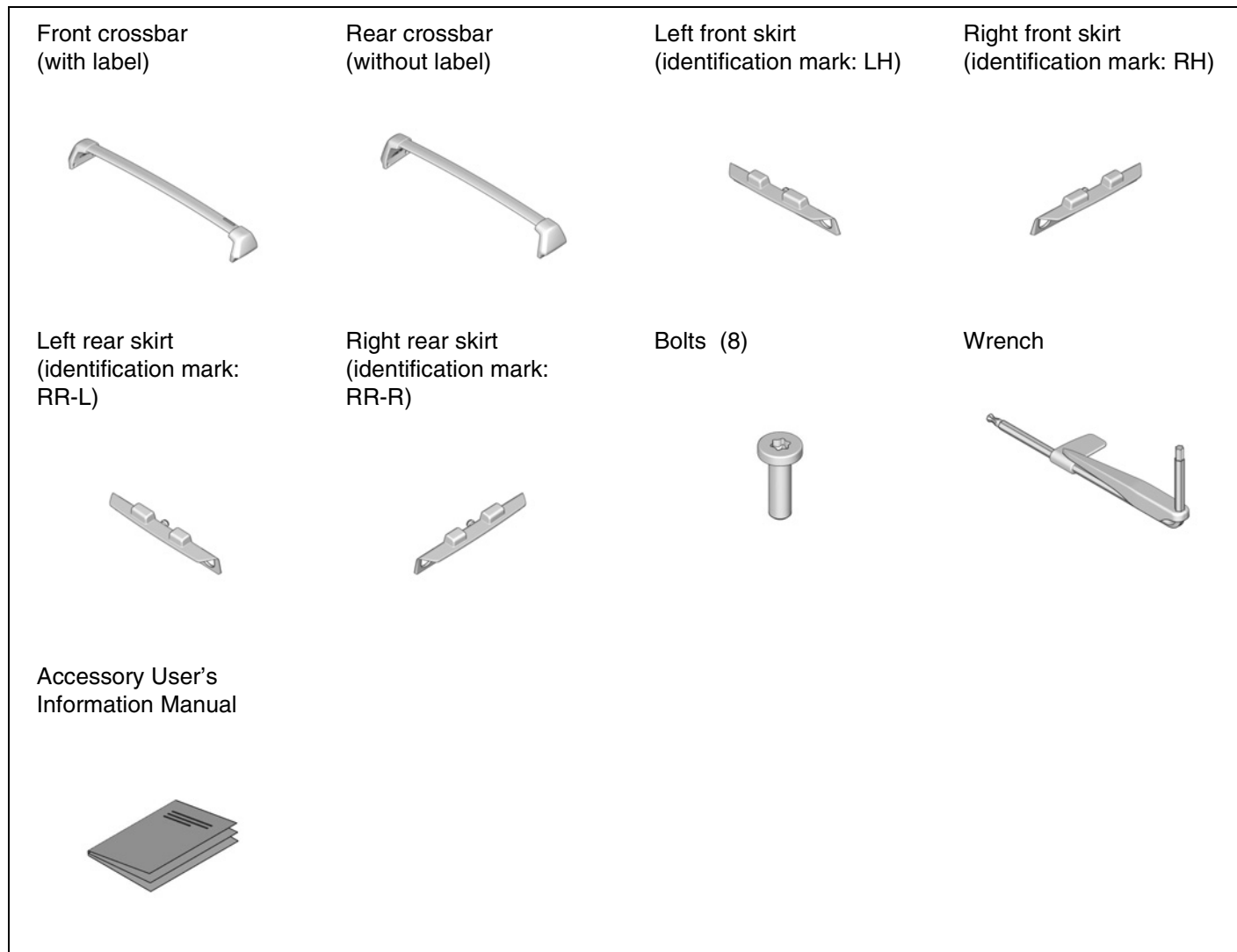
- Observe all safety notes and precautions described in the service information, in addition to those described in this Installation Instruction. Be extremely careful for your safety and the safety of others.
- Be careful not to damage the vehicle or the parts.
- Be extremely careful when handling retaining tabs and clips.
- Note the locations of the parts before removing them so they can be properly installed in their original positions.
- The illustrations may differ slightly from the actual accessory.

Safety: Accessory

Always use the parts and tools specified in the installation instructions.

PARTS LIST

Crossbar Kit (P/N 08L04-PS2-100)



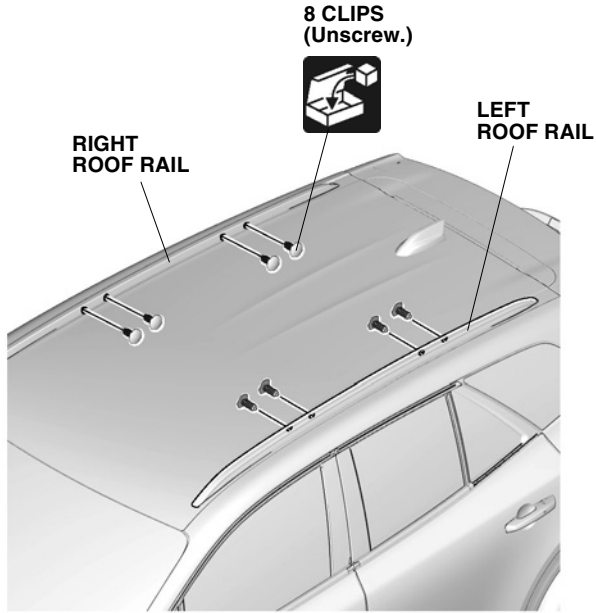
REQUIRED TOOLS AND SUPPLIES

The following tools are available through the Honda Tool and Equipment Program:

- Trim Tool Set (T/N SOJATP2014)
- Plastic Trim Tool (T/N SILTRIMTL10)

INSTALLATION

1. Remove the clips.

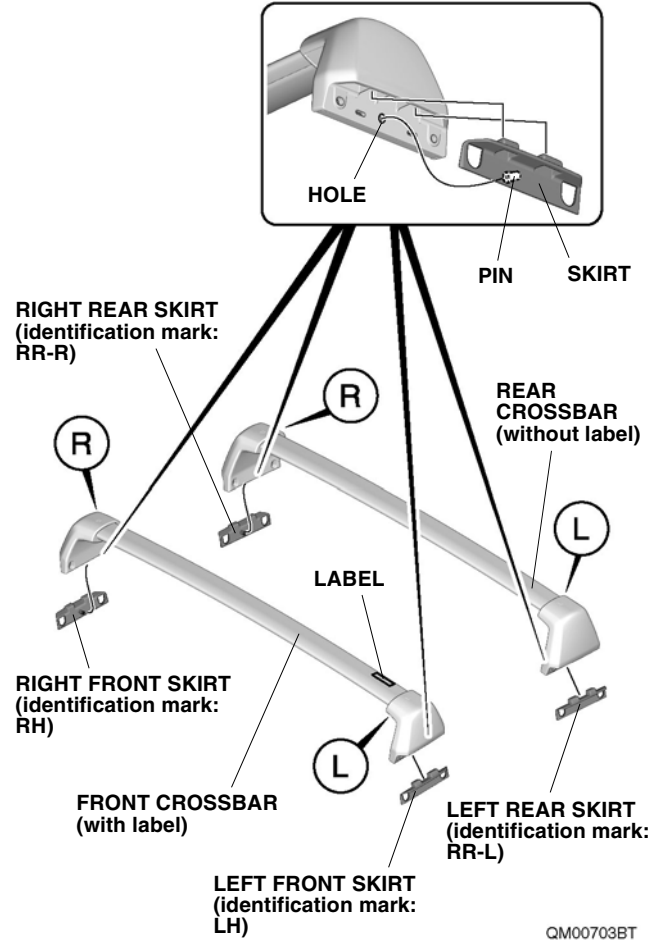


QM00702AT

2. Install the left and right front skirts.

NOTE

Make sure to check the identification mark and label before Installation.



QM00703BT

3. Install the left and right rear skirts.

NOTE

Make sure to check the identification mark and label before Installation.

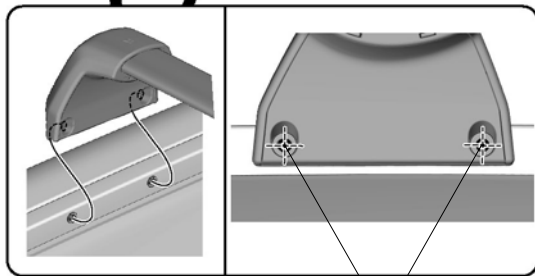
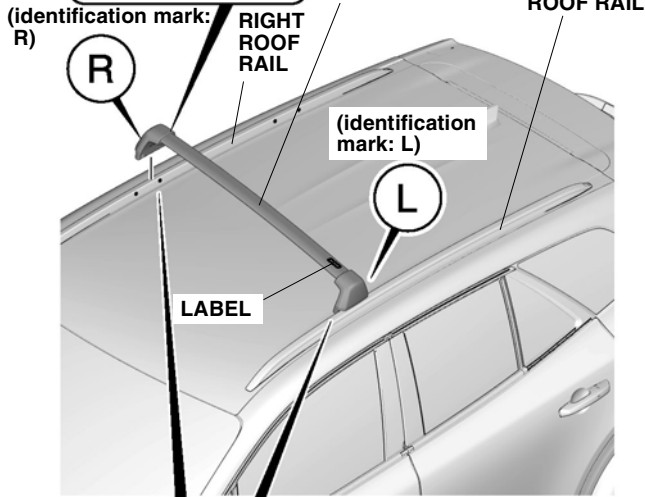
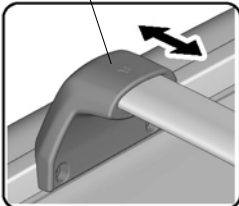
4. Install the front crossbar.

NOTE

Make sure to check the identification mark before installation.



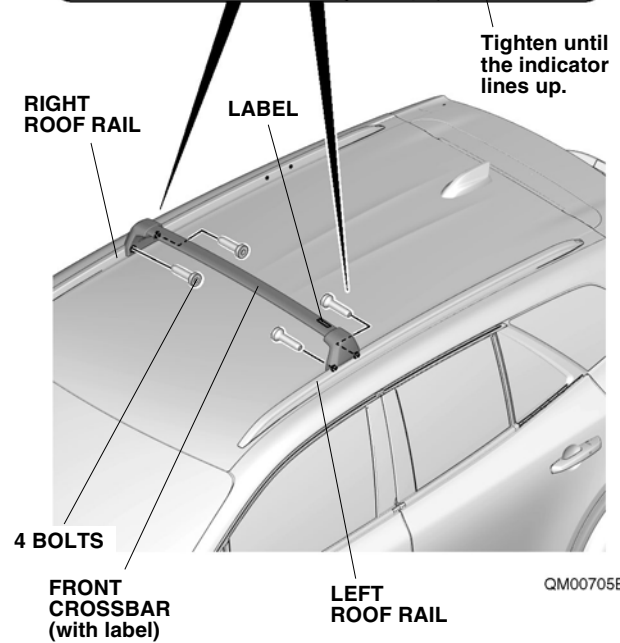
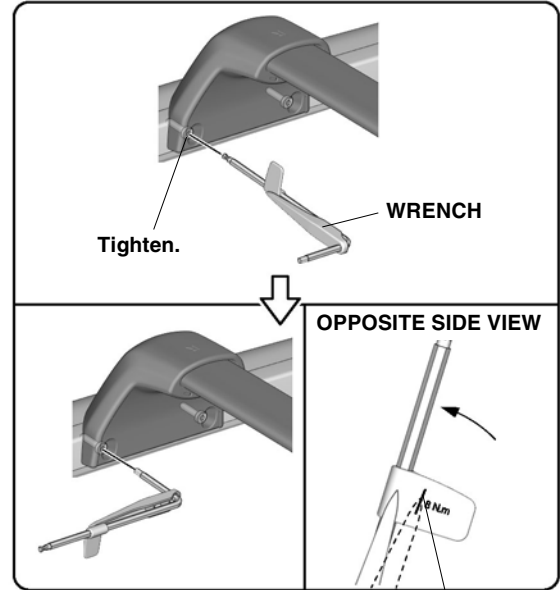
RIGHT STAY
(Adjust in or out.)



SKIRT HOLES
(Line up with the roof rail holes.)

QM00704BT

5. Secure the front crossbar.



QM00705BT

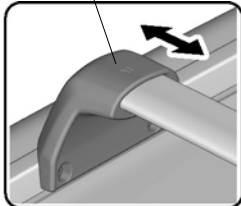
6. Install the rear crossbar.

NOTE

Make sure to check the identification mark before installation.



RIGHT STAY
(Adjust in or out.)



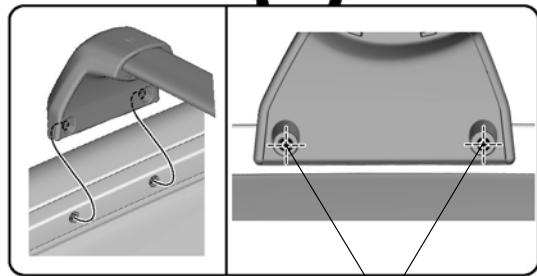
(identification mark: R)

REAR CROSSBAR
(without label)

(identification mark: L)

RIGHT ROOF RAIL

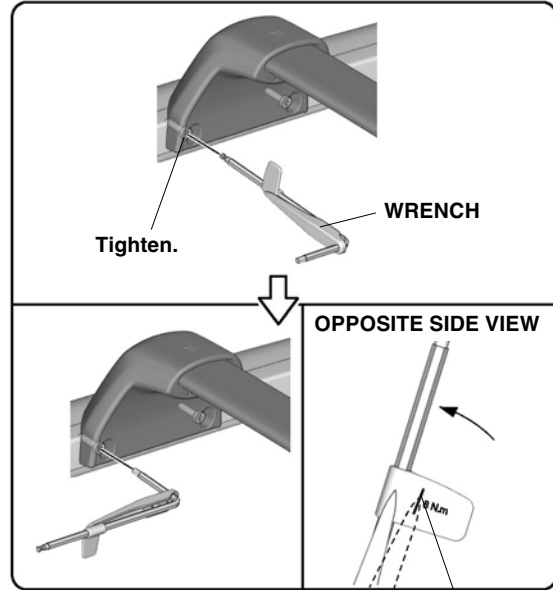
LEFT ROOF RAIL



SKIRT HOLES
(Line up with the roof rail holes.)

QM00706AT

7. Secure the rear crossbar.



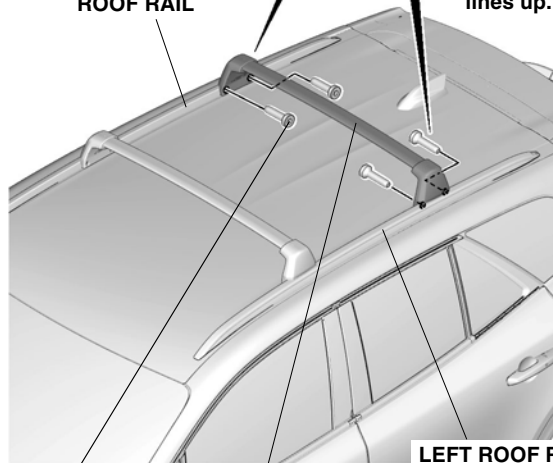
Tighten.

WRENCH

OPPOSITE SIDE VIEW

Tighten until the indicator lines up.

RIGHT ROOF RAIL



LEFT ROOF RAIL

4 BOLTS

REAR CROSSBAR
(without label)

QM00707BT

8. Check that all parts are installed properly.
9. Give the Accessory User's Information Manual to the customer.