



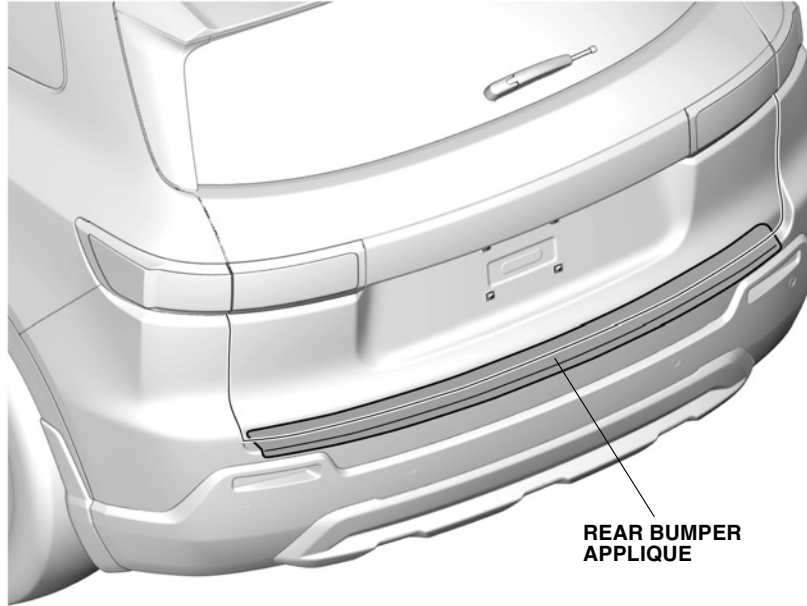
## INSTALLATION INSTRUCTIONS

Accessory  
**REAR BUMPER APPLIQUE**

Application  
**2024 PROLOGUE  
MODEL SERIES**

Publications No.  
**VERSION 1**  
Issue Date  
**FEB 2024**

### GENERAL VIEW



QM00101AK

### FOR YOUR SAFETY (Read carefully.)

#### Warning Symbols

Safety: Your safety, and the safety of others, is important. To help you make informed decisions about service procedures, we have provided safety messages where appropriate. Of course, it is not practical or possible to warn you about all the hazards associated with servicing a vehicle - you must use your own good judgment.

You will find important safety messages preceded by one of the following symbols:

\*All symbols are not used in all installation instructions.

**⚠ DANGER**

You will be killed or seriously hurt if you do not follow the instructions.

**⚠ WARNING**

You can be killed or seriously hurt if you do not follow the instructions.

**⚠ CAUTION**

You can be hurt if you do not follow the instructions.

**NOTICE**

Gives advice to prevent damage to the product, vehicle, the environment or other property.

**NOTE**

Gives helpful information or instructions to be followed when installing this product.

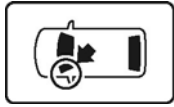


Indicates a prohibited action.

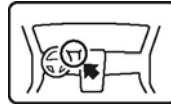
## Procedure and Location Icons

These icons indicate the work location and the worker's point of view.

\*All icons are not used in all installation instructions.



The location on the vehicle.



The location in the vehicle.  
(Instrument panel.)



Wear eye protection.



Wear heavy gloves.



Use an assistant.



Place the part on a blanket.



Work perpendicular.



Remove any burrs.



Use touch-up paint and allow to dry.



Tighten to the specified torque.



Apply firm pressure while rolling, especially at the ends, to set the adhesive.



Press firmly.



Clean with isopropyl alcohol.



Return the original part to the customer.  
(Do not reuse.)

## Safety: General

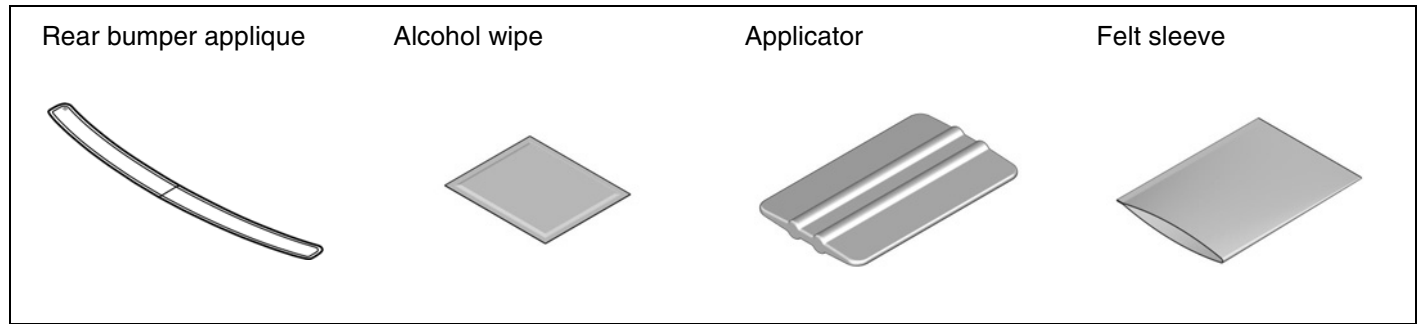
- Be careful not to damage the vehicle or the parts.
- The illustrations may differ slightly from the actual accessory.

## Safety: Accessory

- Always use the parts and tools specified in the installation instructions.
- Do not install the accessory on a dirty surface or in direct sunlight.
- Make sure the ambient air temperature is 60°F (15°C) or above when installing accessories that use adhesive material.
- When applying adhesive material, make sure it is lined up properly before attaching. Once the adhesive material touches the surface, do not try to remove it. If you do, you could damage the part.
- Cover nearby parts with a shop towel to prevent getting them wet.
- Always wear gloves when working with 3M protective tape application solution.
- Use the 3M protective tape application solution with a spray bottle.
- Do not wash the vehicle for 24 hours to allow the adhesive to cure.

## PARTS LIST

### Rear Bumper Applique Kit (P/N 08P48-PS2-100A)



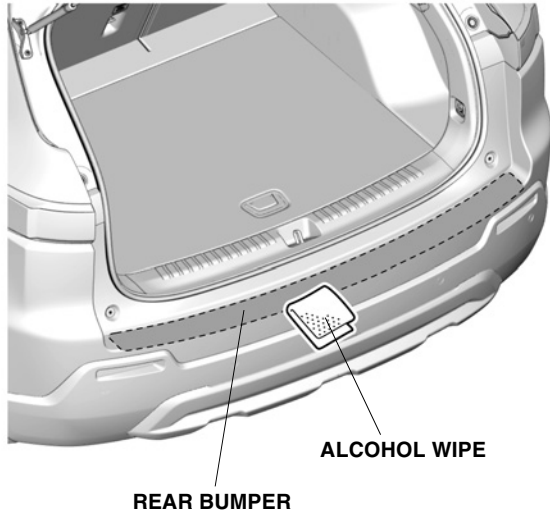
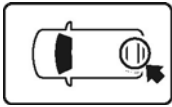
## REQUIRED TOOLS AND SUPPLIES

- Shop towel
- Spray bottle
- Masking tape
- Gloves
- Felt-tip pen

The following tool is available through the Honda Tool and Equipment Program:  
3M Protective tape application solution (P/N: 08712-0008)

## INSTALLATION

1. Open the tailgate.



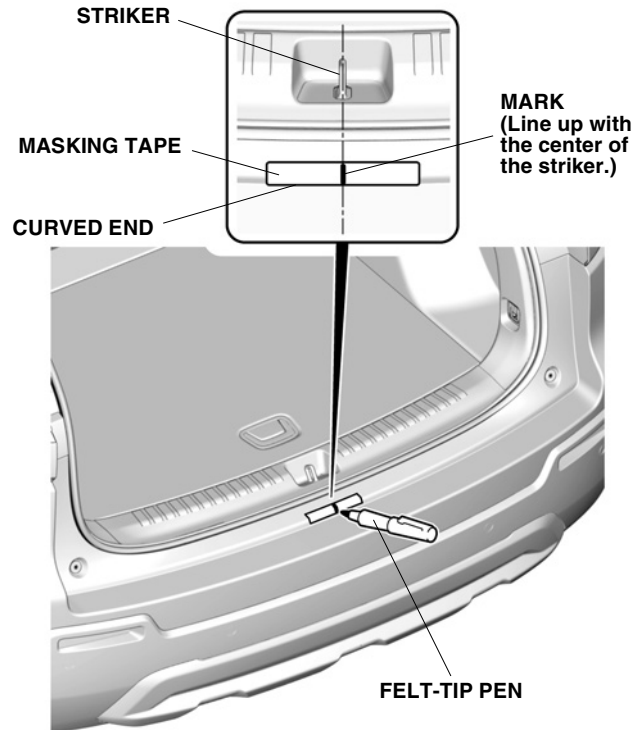
QM00102AK

2. Clean the rear bumper.

### NOTE

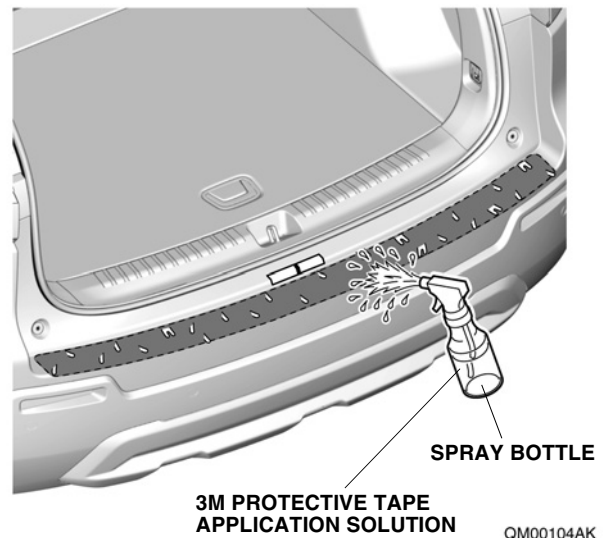
Allow to dry thoroughly.

3. Attach the masking tape.



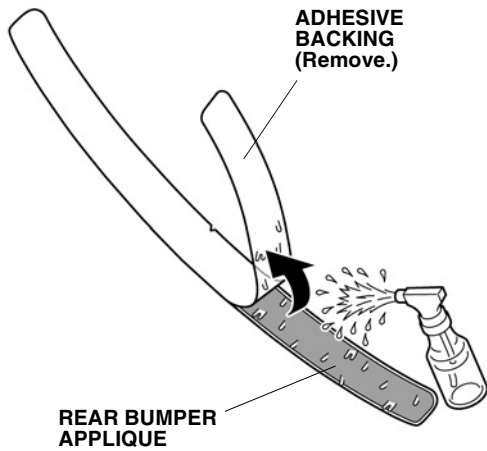
QM00103AK

4. Mark the masking tape.
5. Spray the rear bumper.



QM00104AK

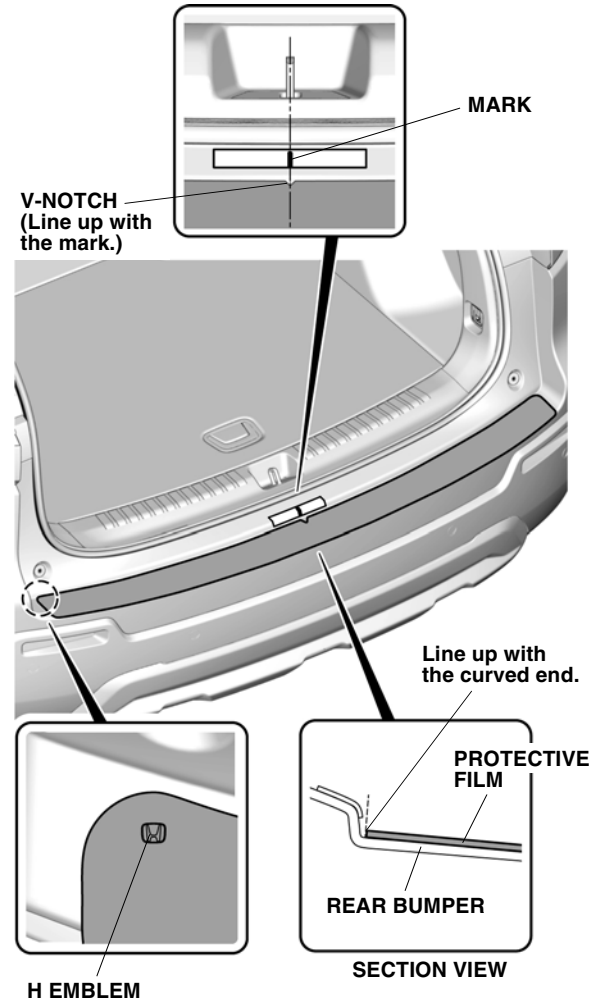
6. Remove the adhesive backing.



QM00105AK

7. Spray the rear bumper applique.

8. Line up the rear bumper applique.

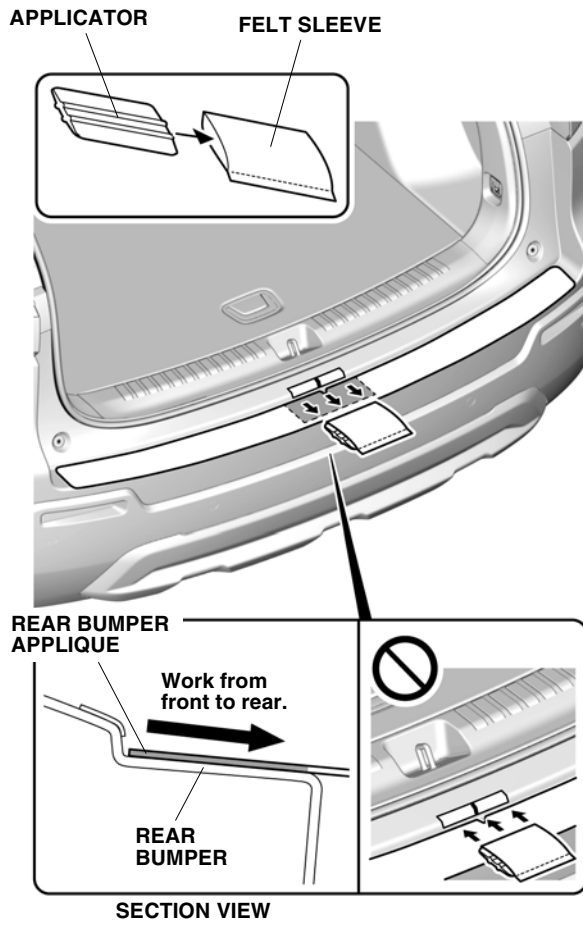


QM00106AK

9. Insert the applicator.

**NOTE**

Move the felt sleeve in one direction only.



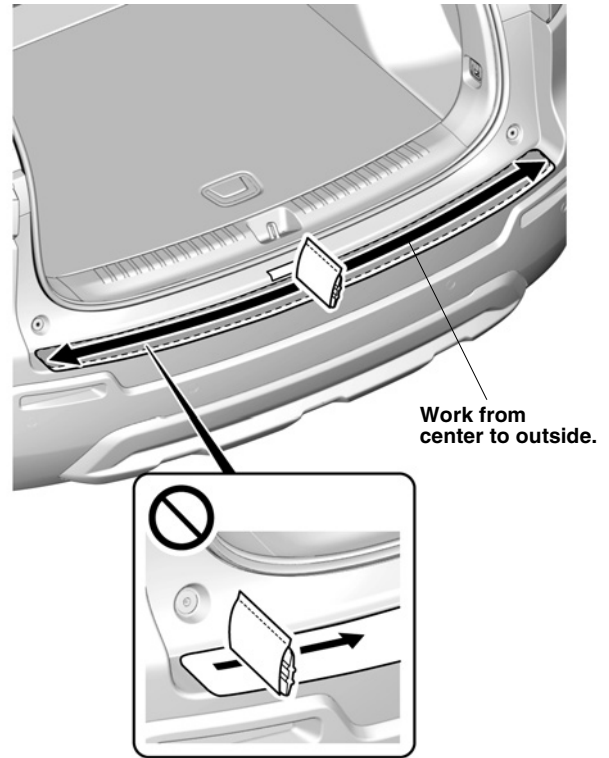
QM00107AK

10. Secure the rear bumper applique.

11. Secure the rear bumper applique.

**NOTE**

Move the felt sleeve in one direction only.

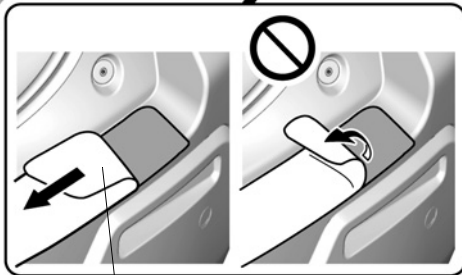
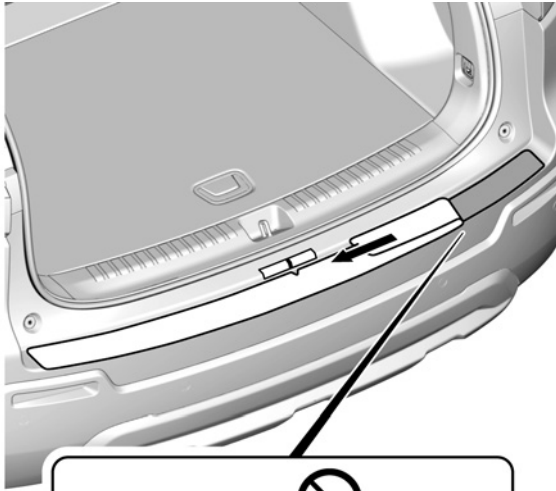


QM00108AK

12. Remove the protective film.

**NOTE**

Do not pull up on the protective film.



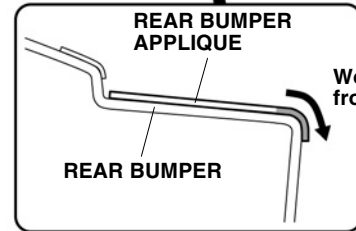
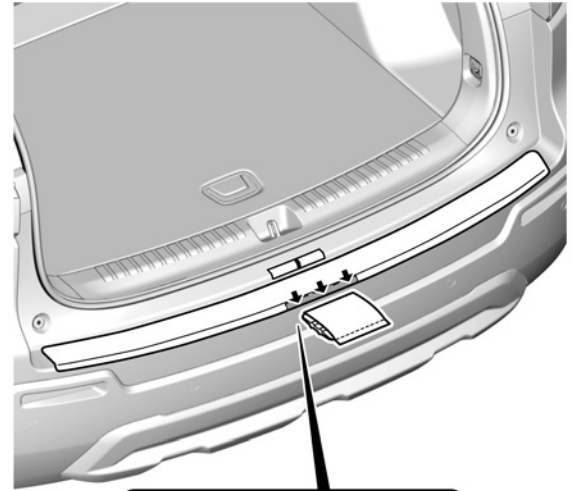
PROTECTIVE FILM

QM00109AK

13. Secure the rear bumper applique.

**NOTE**

Move the felt sleeve in one direction only.



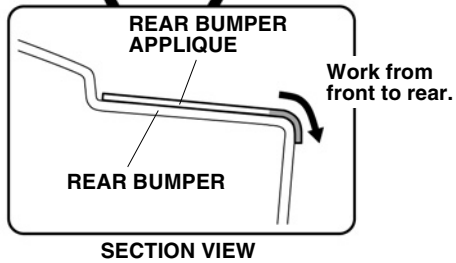
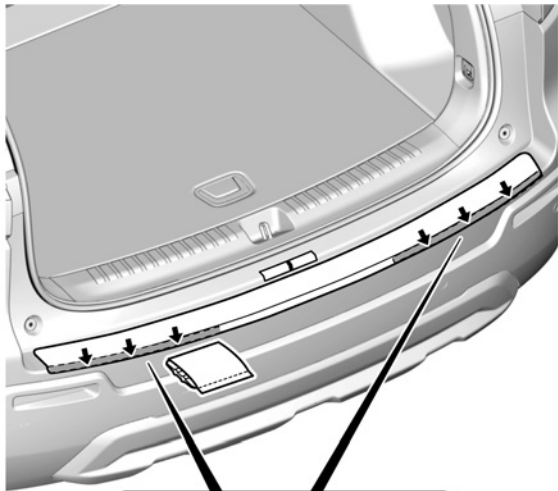
SECTION VIEW

QM00110BK

14. Secure the rear bumper applique.

**NOTE**

Move the felt sleeve in one direction only.

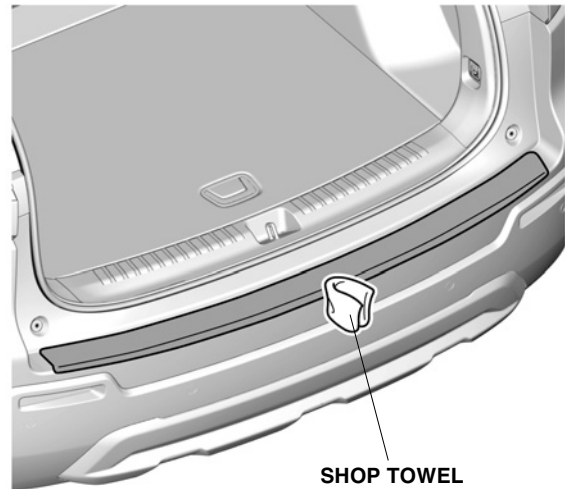


QM0011BK

15. Wipe off the 3M protective tape application solution.

**NOTE**

Allow to dry thoroughly.



QM00112AK

16. Remove the masking tape.
17. Check that all parts are installed properly.