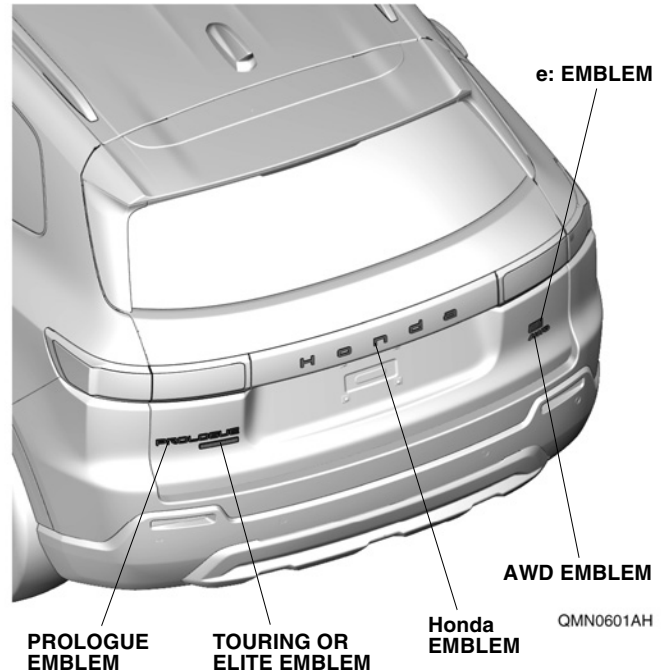
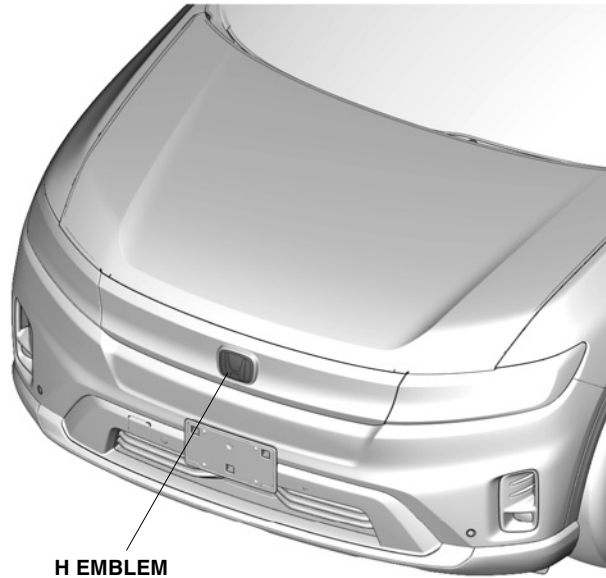




INSTALLATION INSTRUCTIONS

Accessory	Application	Publications No.
BLACK EMBLEMS	2024 PROLOGUE MODEL SERIES	VERSION 1
		Issue Date MAR 2024

GENERAL VIEW



FOR YOUR SAFETY (Read carefully.)

Warning Symbols

Safety: Your safety, and the safety of others, is important. To help you make informed decisions about service procedures, we have provided safety messages where appropriate. Of course, it is not practical or possible to warn you about all the hazards associated with servicing a vehicle - you must use your own good judgment.

You will find important safety messages preceded by one of the following symbols:

*All symbols are not used in all installation instructions.

⚠ DANGER

You will be killed or seriously hurt if you do not follow the instructions.

⚠ WARNING

You can be killed or seriously hurt if you do not follow the instructions.

⚠ CAUTION

You can be hurt if you do not follow the instructions.

NOTICE

Gives advice to prevent damage to the product, vehicle, the environment or other property.

NOTE

Gives helpful information or instructions to be followed when installing this product.

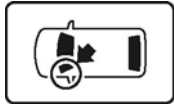


Indicates a prohibited action.

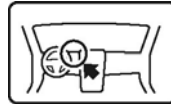
Procedure and Location Icons

These icons indicate the work location and the worker's point of view.

*All icons are not used in all installation instructions.



The location on the vehicle.



The location in the vehicle.
(Instrument panel.)



Wear eye protection.



Wear heavy gloves.



Use an assistant.



Place the part on a blanket.



Work perpendicular.



Remove any burrs.



Use touch-up paint and allow to dry.



Tighten to the specified torque.



Apply firm pressure while rolling, especially at the ends, to set the adhesive.



Press firmly.



Clean with isopropyl alcohol.



Return the original part to the customer.
(Do not reuse.)

Safety: General

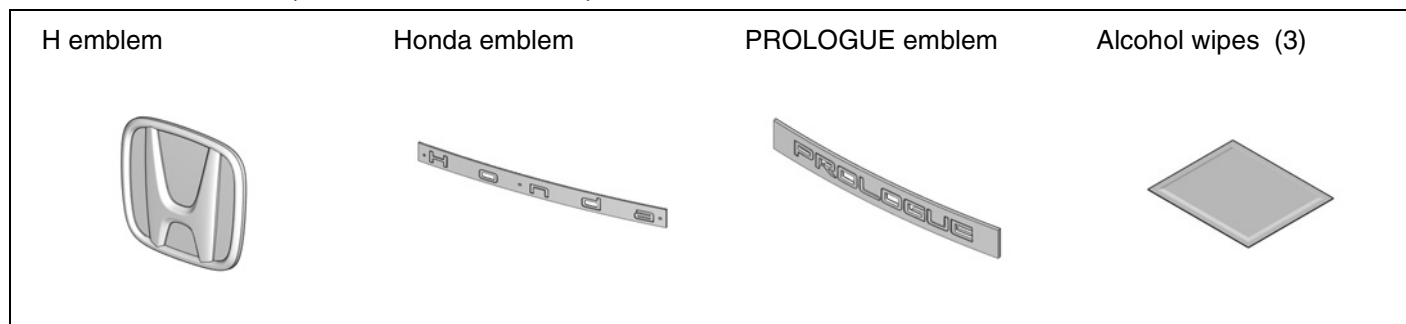
- Be careful not to damage the vehicle or the parts.
- The illustrations may differ slightly from the actual accessory.

Safety: Accessory

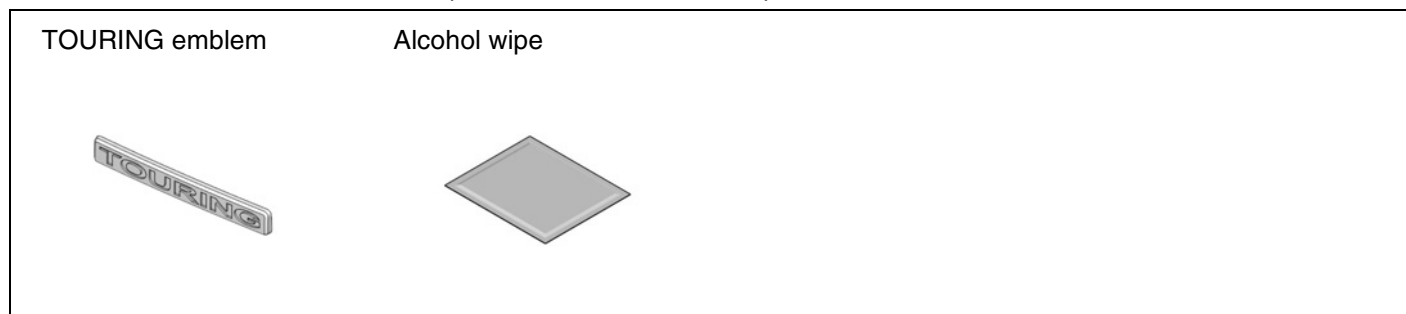
- Always use the parts and tools specified in the installation instructions.
- Do not install the accessory on a dirty surface or in direct sunlight.
- Make sure the ambient air temperature is 60°F (15°C) or above when installing accessories that use adhesive material.
- When pressing the accessory firmly with the palm of your hand, be careful not to damage it or the vehicle.
- When applying adhesive material, make sure it is lined up properly before attaching. Once the adhesive material touches the surface, do not try to remove it. If you do, you could damage the part.
- Do not wash the vehicle for 24 hours to allow the adhesive to cure.

PARTS LIST

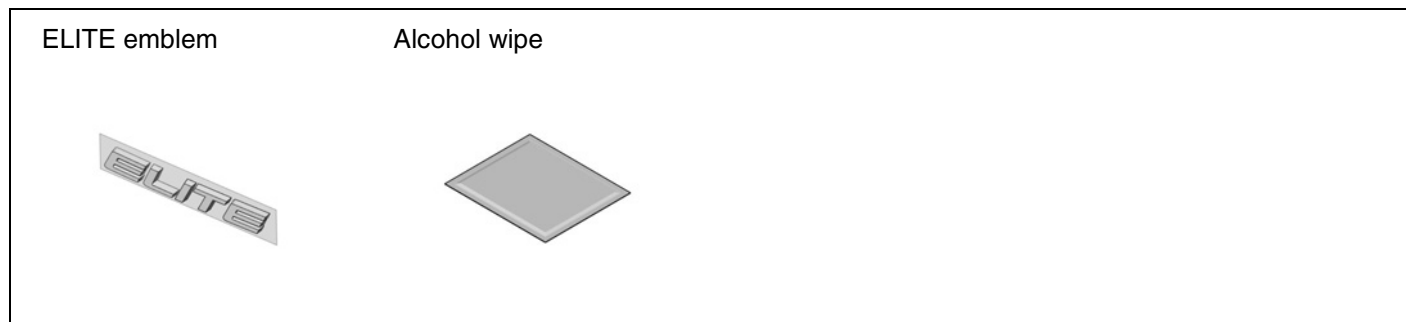
Black Emblem Kit (P/N 08F20-PS2-100)



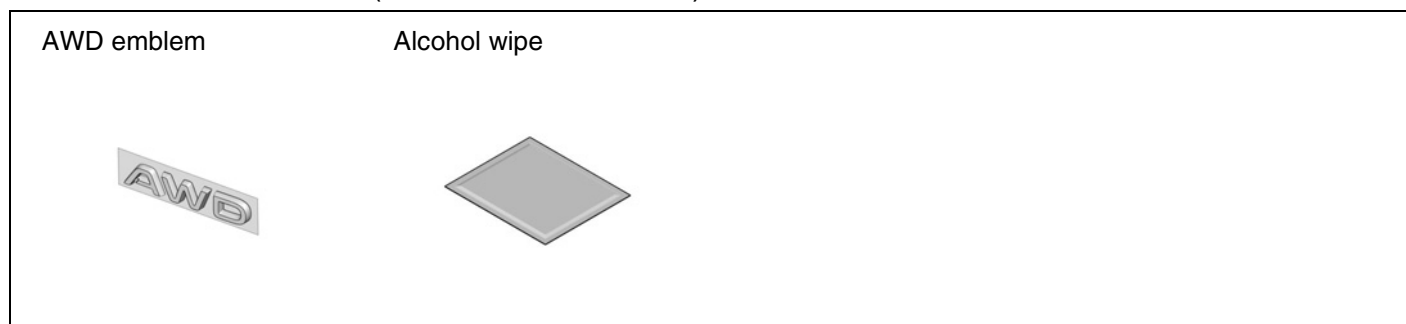
TOURING Black Emblem Kit (P/N 08F20-PS2-100A)



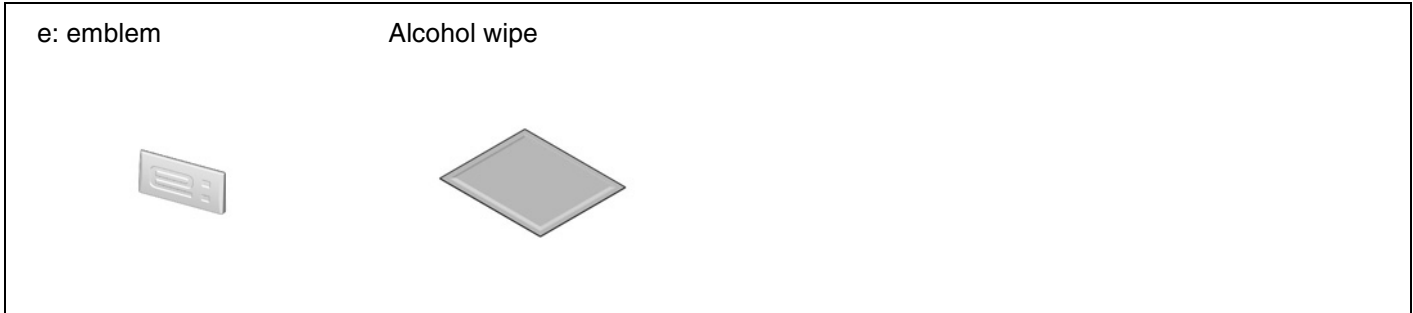
ELITE Black Emblem Kit (P/N 08F20-PS2-100B)



AWD Black Emblem Kit (P/N 08F20-PS2-100C)



e: Black Emblem Kit (P/N 08F20-PS2-100D)



REQUIRED TOOLS AND SUPPLIES

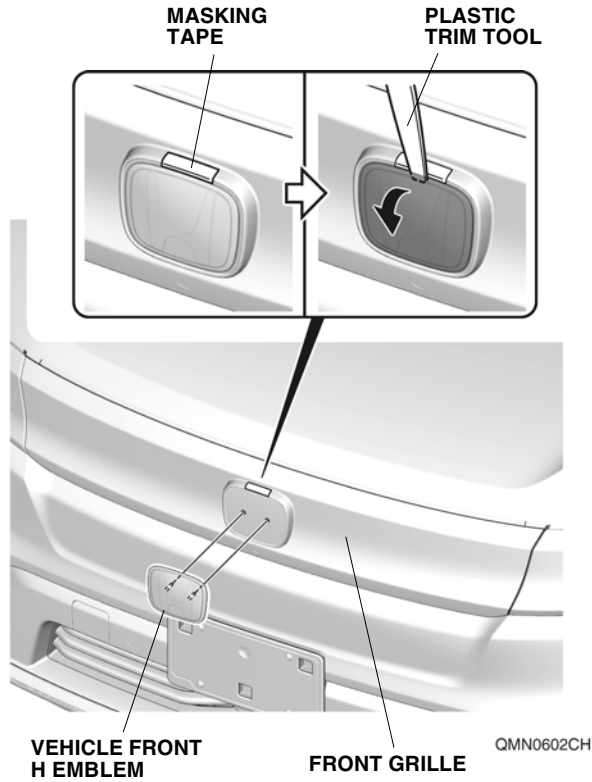
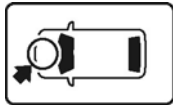
- Masking tape
- Nylon string

The following tools are available through the Honda Tool and Equipment Program:

- Trim Tool Set (T/N SOJATP2014)
- Rubber Roller (T/N MHLE54D)
- Plastic Trim Tool (T/N SILTRIMTL10)

INSTALLATION

1. Attach the masking tape.



2. Remove the vehicle H emblem.

NOTE

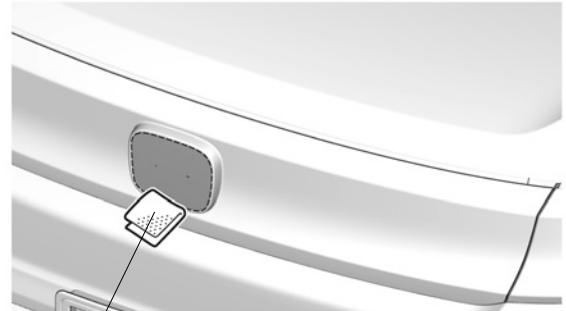
- Do not damage the front grille when removing the vehicle front H emblem with the plastic trim tool.
- Make sure to thoroughly remove the adhesive tape from the front grille.

3. Remove the masking tape.

4. Clean the attaching area.

NOTE

Allow to dry thoroughly.



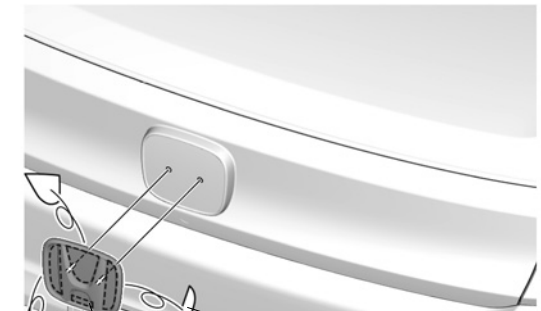
ALCOHOL WIPE

QMN0603BH

5. Install the H emblem.

NOTE

- Check the position of double-sided adhesive tape and make sure to press firmly.



4 DOUBLE-SIDED ADHESIVE TAPES

4 ADHESIVE BACKINGS (Remove.)



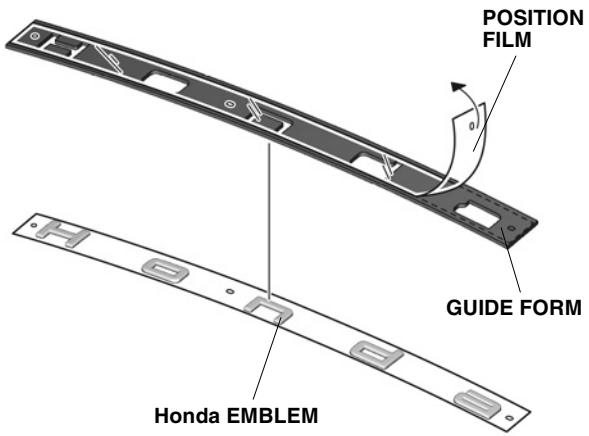
QMN0604CH

6. Secure the H emblem.



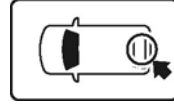
QMN0605BH

7. Remove the guide form.



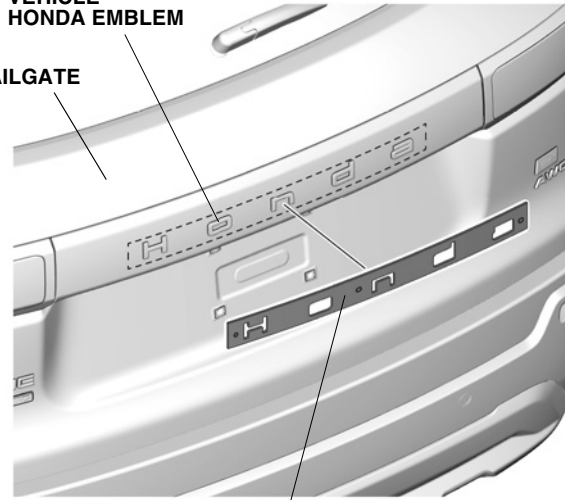
QMN0606BH

8. Install the guide form.



VEHICLE
HONDA EMBLEM

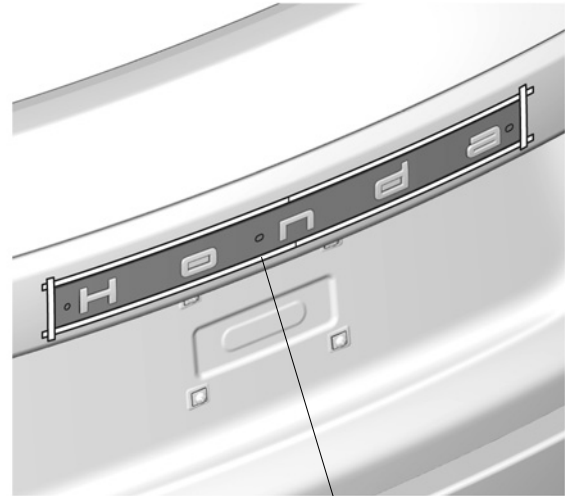
TAILGATE



GUIDE FORM

QMN0607BH

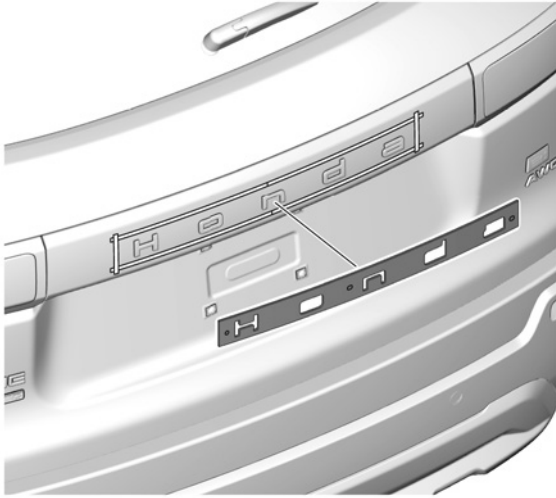
9. Attach the masking tape.



MASKING TAPE

QMN0608BH

10. Remove the guide form.



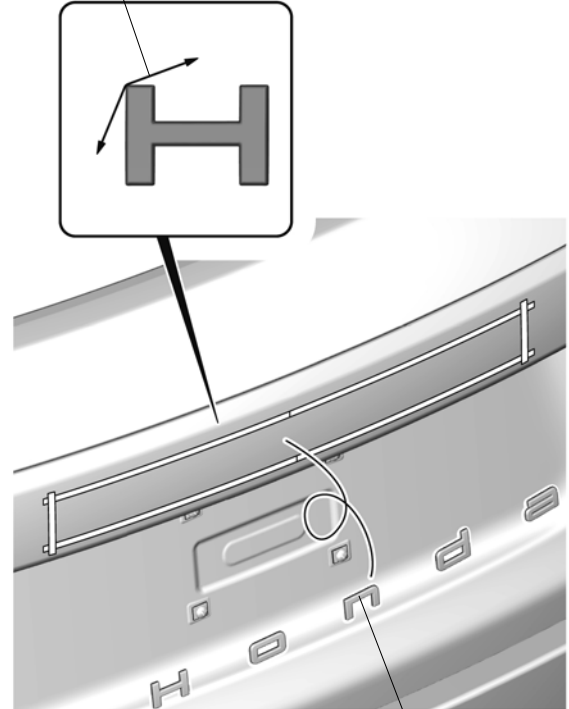
QMN0609BH

11. Remove the vehicle Honda emblem.

NOTE

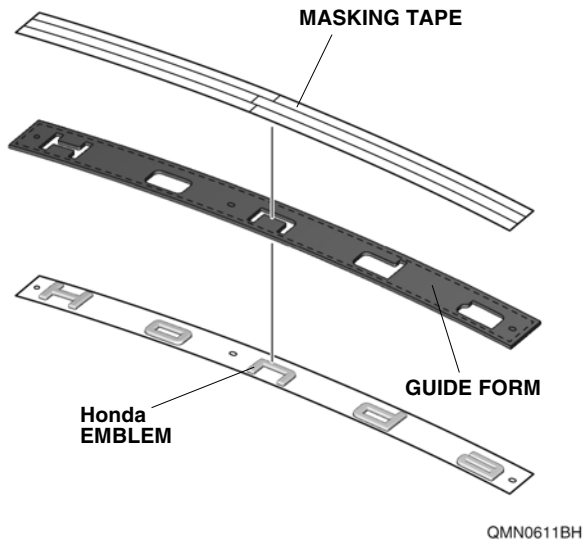
- Do not damage the vehicle body when removing the vehicle Honda emblem with the nylon string.
- Make sure to thoroughly remove the adhesive tape from the vehicle body.

NYLON STRING
MOVEMENT



QMN0610AH

12. Install the guide form.

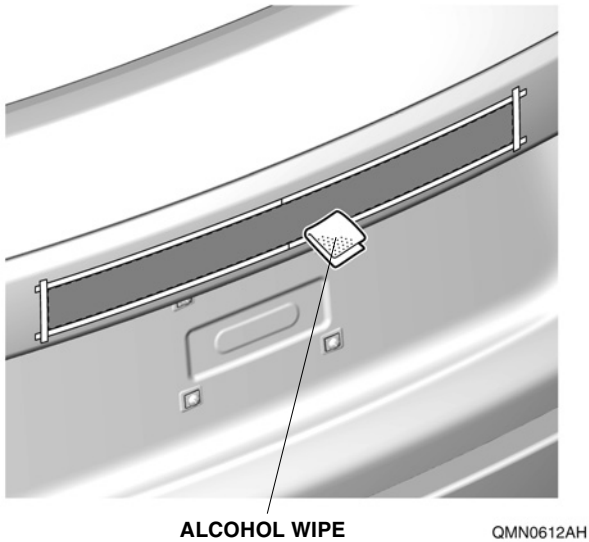


13. Attach the masking tape.

14. Clean the attaching area.

NOTE

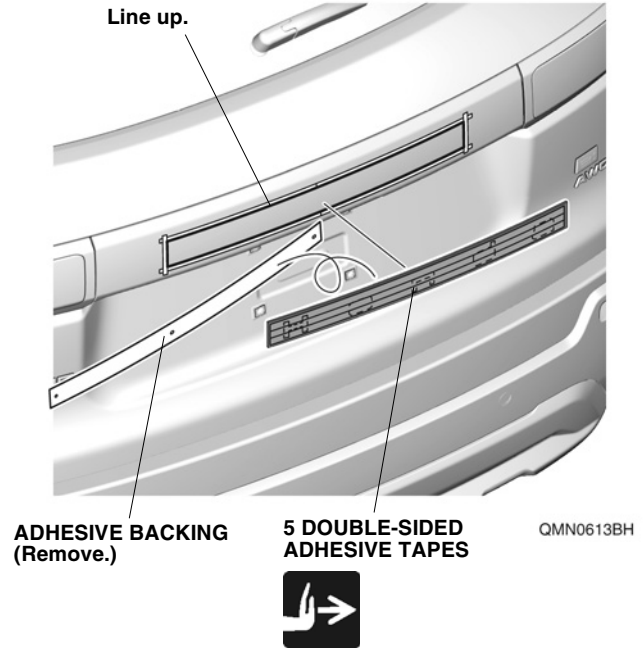
Allow to dry thoroughly.



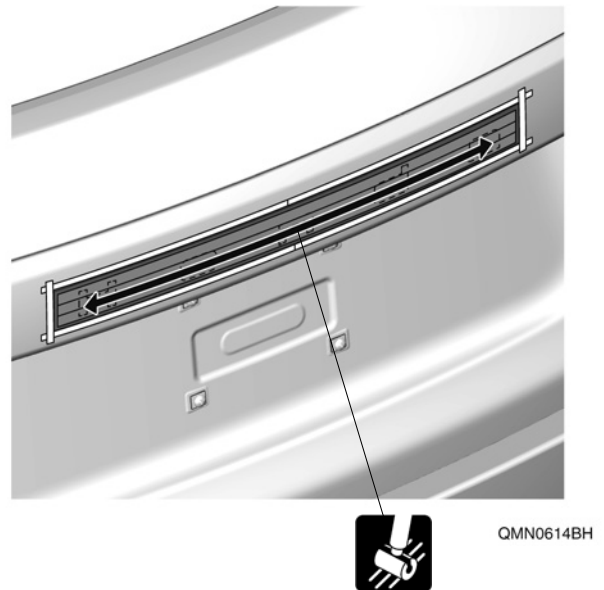
15. Attach the Honda emblem.

NOTE

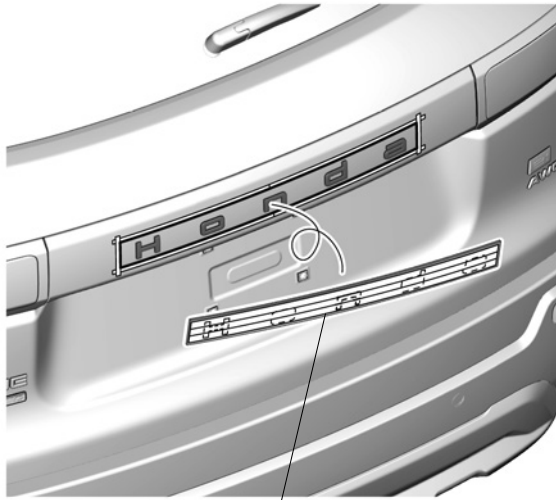
Check the position of double-sided adhesive tape and make sure to press firmly.



16. Secure the Honda emblem.



17. Remove the guide form.

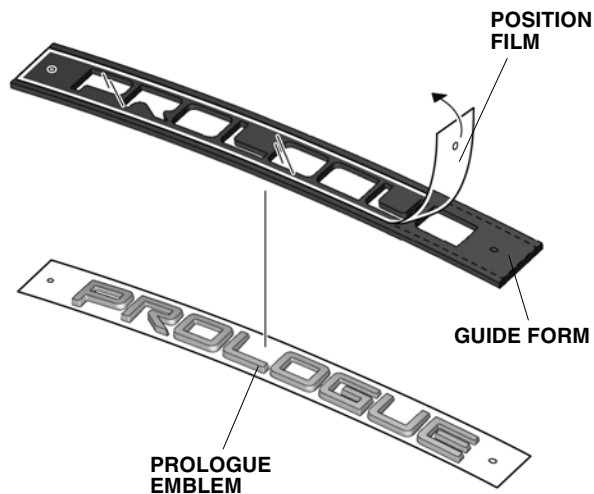


Remove.

QMN0654AH

18. Remove the masking tape.

19. Remove the guide form.

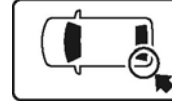


PROLOGUE
EMBLEM

GUIDE FORM

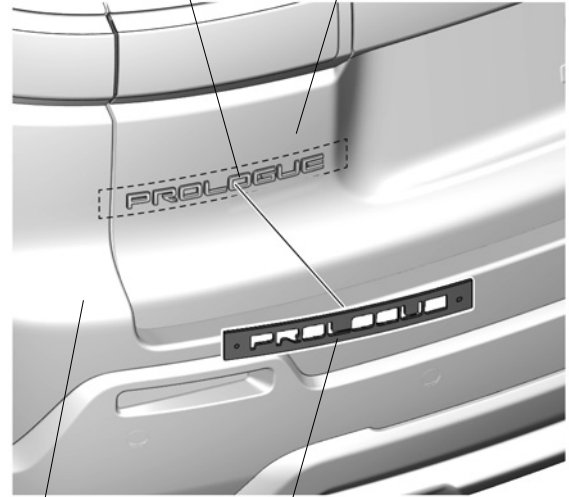
QMN0615AH

20. Install the guide form.



VEHICLE
PROLOGUE EMBLEM

TAILGATE

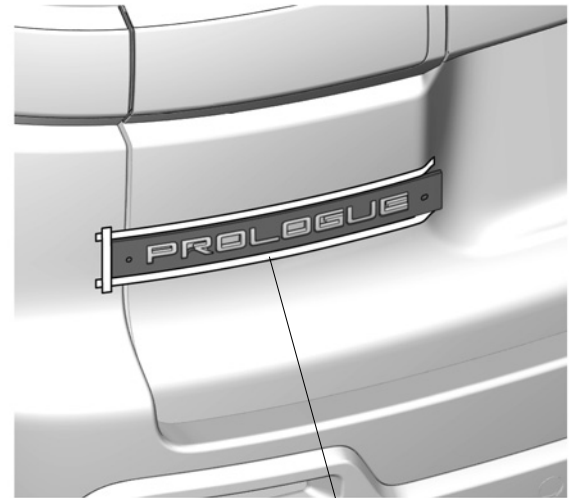


REAR BUMPER

GUIDE FORM

QMN0616AH

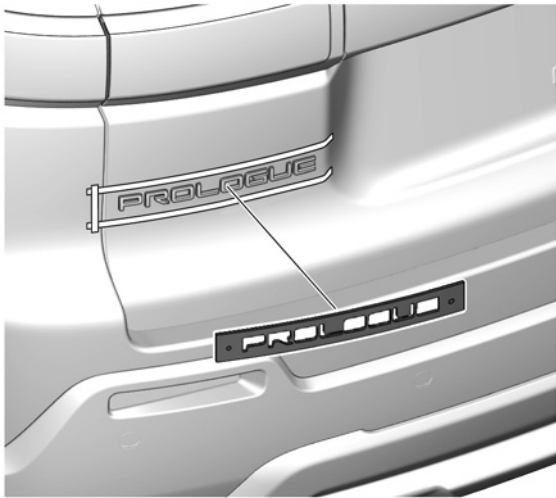
21. Attach the masking tape.



MASKING TAPE

QMN0617AH

22. Remove the guide form.



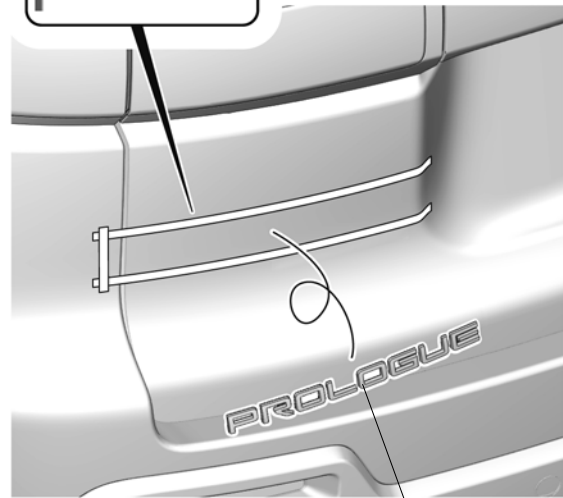
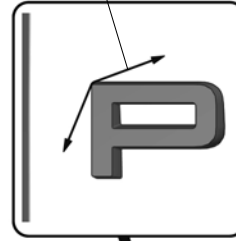
QMN0618AH

23. Remove the vehicle PROLOGUE emblem.

NOTE

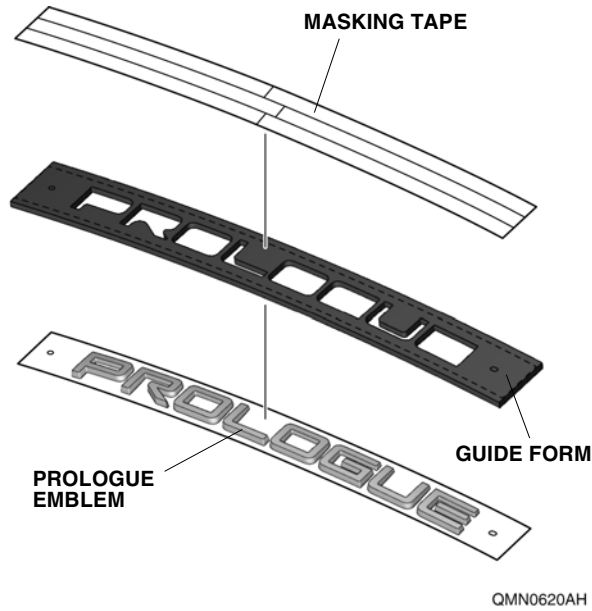
- Do not damage the vehicle body when removing the vehicle PROLOGUE emblem with the nylon string.
- Make sure to thoroughly remove the adhesive tape from the vehicle body.

NYLON STRING
MOVEMENT



QMN0619AH

24. Install the guide form.

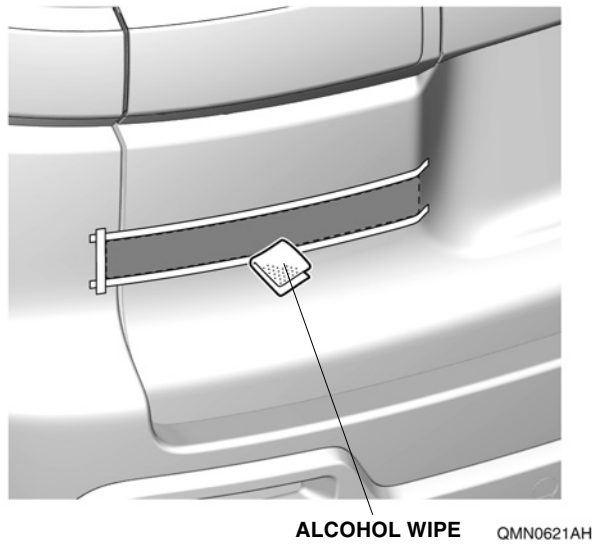


25. Attach the masking tape.

26. Clean the attaching area.

NOTE

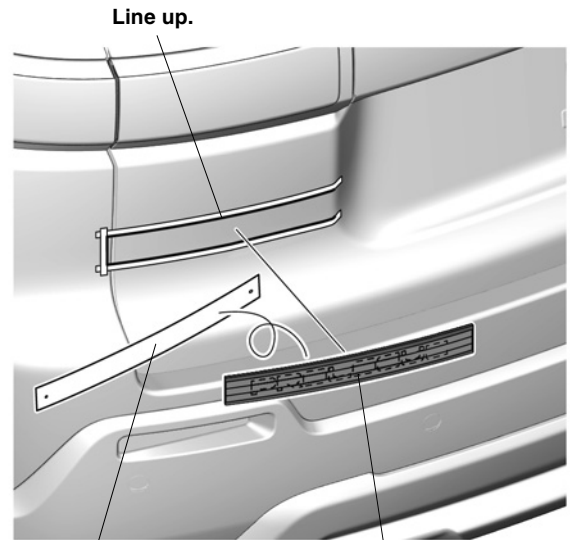
Allow to dry thoroughly.



27. Attach the PROLOGUE emblem.

NOTE

Check the position of double-sided adhesive tape and make sure to press firmly.



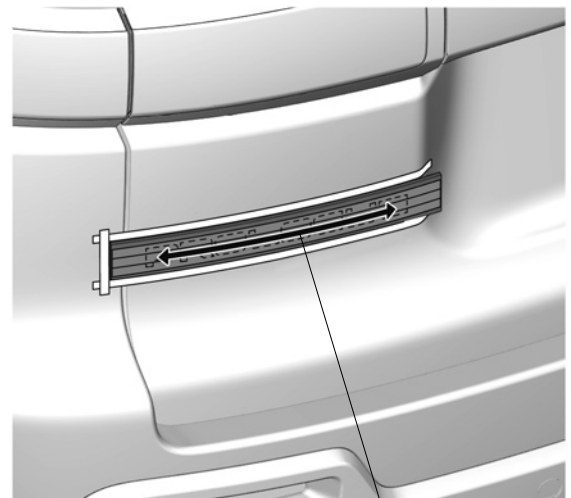
ADHESIVE BACKING
(Remove.)

8 DOUBLE-SIDED
ADHESIVE TAPES

QMN0622AH

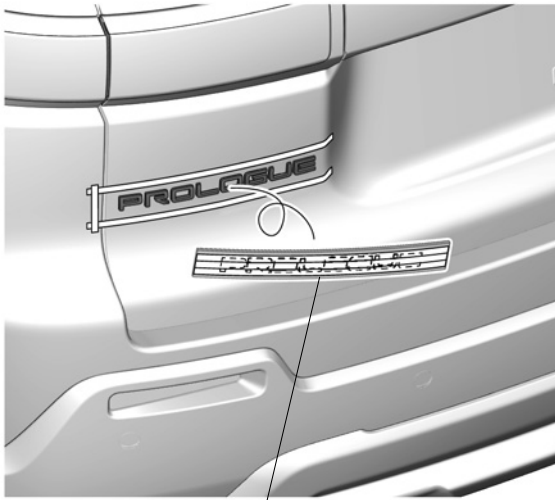


28. Secure the PROLOGUE emblem.



QMN0623BH

29. Remove the guide form.



Remove.

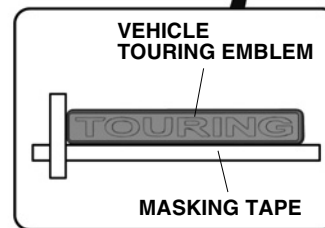
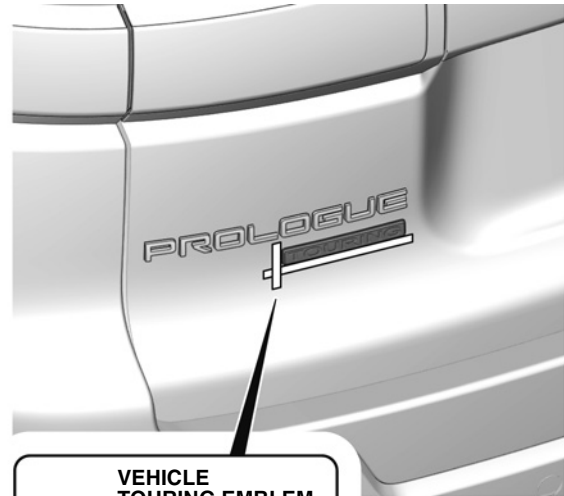
QMN0655AH

30. Remove the masking tape.

31. Choose one of these options.

- | | |
|---------------------------------|---------------|
| • Vehicle TOURING emblem models | Go to step 32 |
| • Vehicle ELITE emblem models | Go to step 39 |
| • Other models | Go to step 46 |

32. Attach the masking tape.



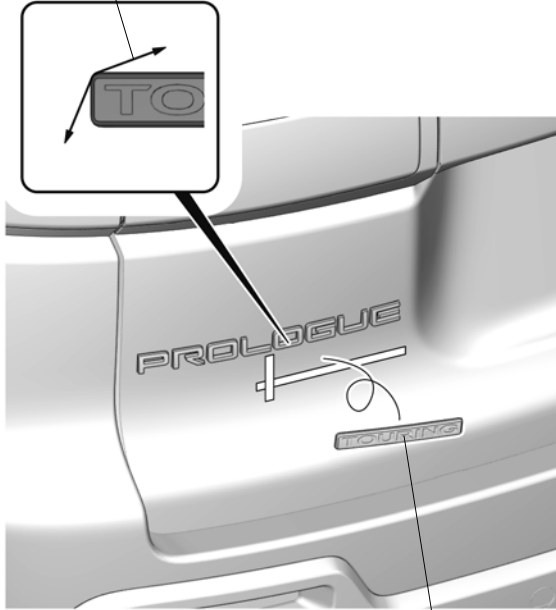
QMN0624AH

33. Remove the vehicle TOURING emblem.

NOTE

- Do not damage the vehicle body when removing the vehicle TOURING emblem with the nylon string.
- Make sure to thoroughly remove the adhesive tape from the vehicle body.

NYLON STRING
MOVEMENT

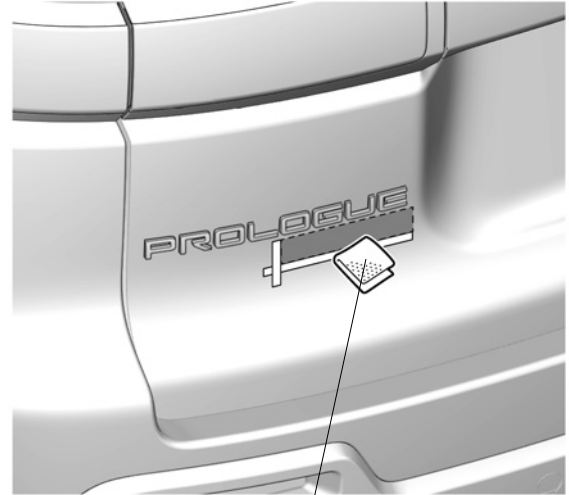


QMN0625AH

34. Clean the attaching area.

NOTE

Allow to dry thoroughly.



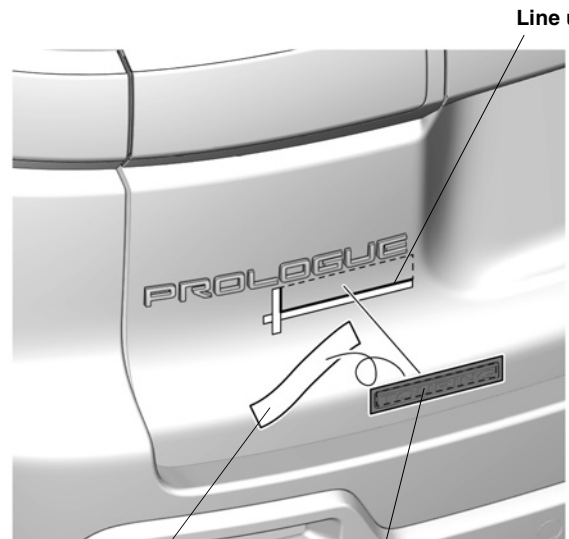
ALCOHOL WIPE

QMN0626AH

35. Attach the TOURING emblem.

NOTE

Check the position of double-sided adhesive tape and make sure to press firmly.



Line up.

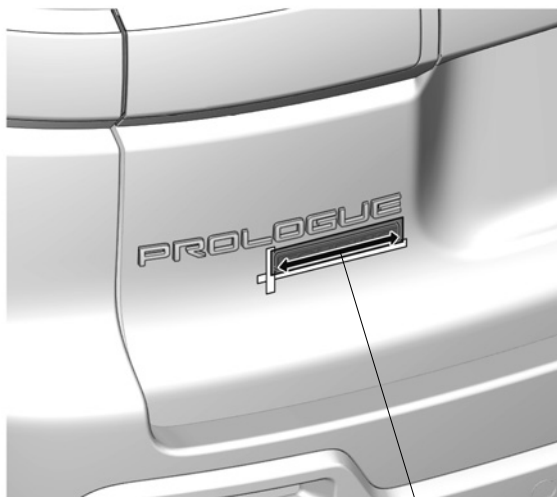
ADHESIVE BACKING
(Remove.)

DOUBLE-SIDED
ADHESIVE TAPE

QMN0627AH



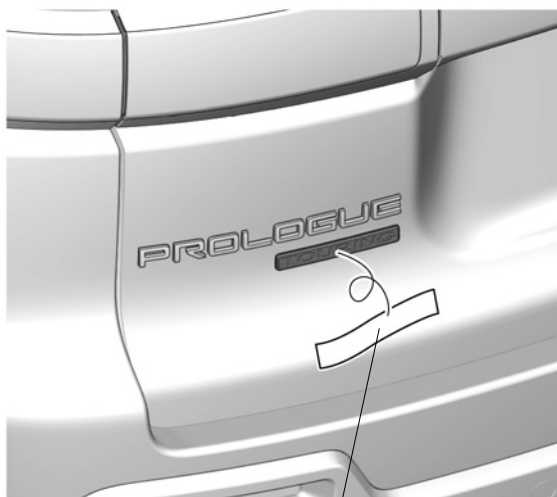
36. Secure the TOURING emblem.



QMN0628AH

37. Remove the masking tape.

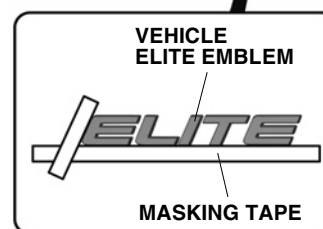
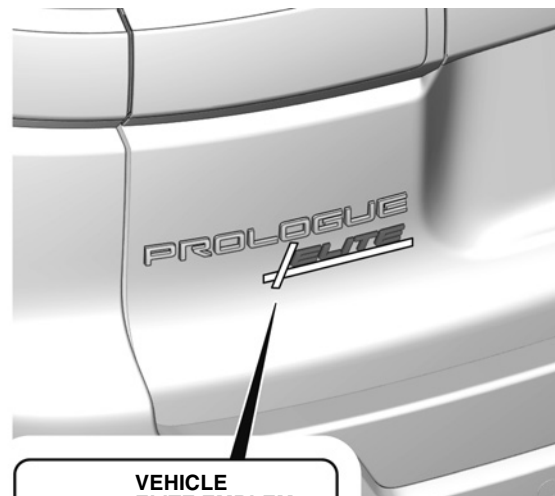
38. Remove the film.



FILM
(Remove.)

QMN0629AH

39. Attach the masking tape.



QMN0630AH

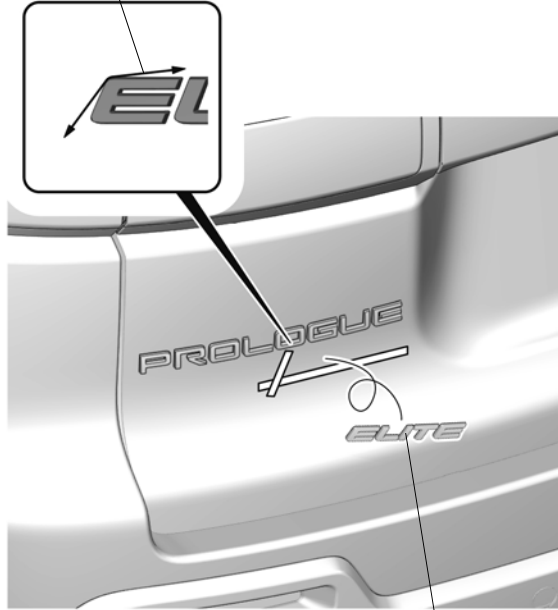
Go to step 46

40. Remove the vehicle ELITE emblem.

NOTE

- Do not damage the vehicle body when removing the vehicle ELITE emblem with the nylon string.
- Make sure to thoroughly remove the adhesive tape from the vehicle body.

NYLON STRING
MOVEMENT

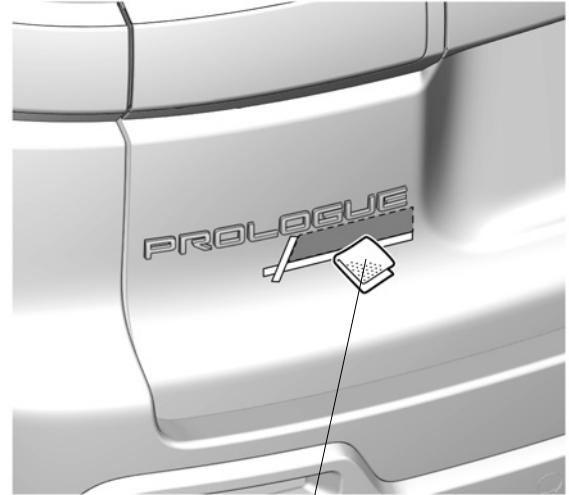


QMN0631AH

41. Clean the attaching area.

NOTE

Allow to dry thoroughly.



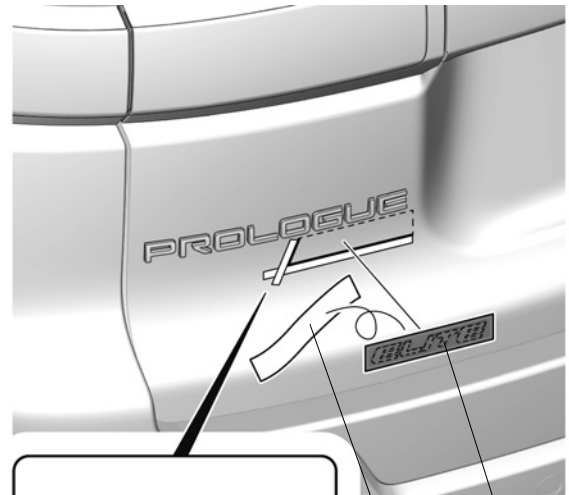
ALCOHOL WIPE

QMN0632AH

42. Attach the ELITE emblem.

NOTE

Check the position of double-sided adhesive tape and make sure to press firmly.



ADHESIVE
BACKING
(Remove.)

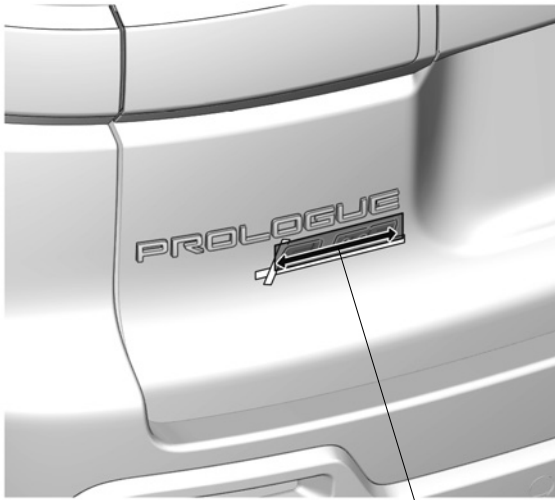
5 DOUBLE-SIDED
ADHESIVE TAPES

Line up.



QMN0633BH

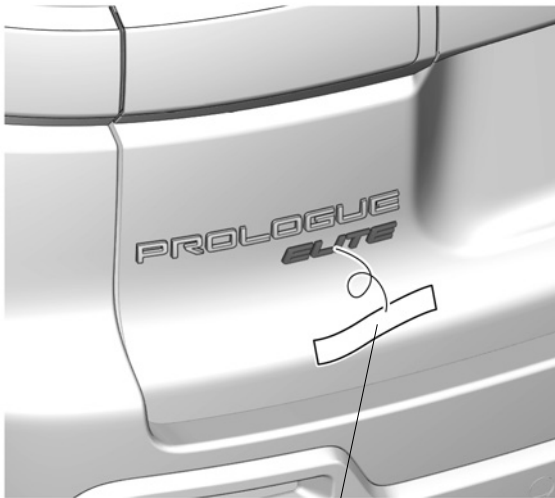
43. Secure the ELITE emblem.



QMN0634AH

44. Remove the masking tape.

45. Remove the film.



FILM
(Remove.)

QMN0635AH

46. Choose one of these options.

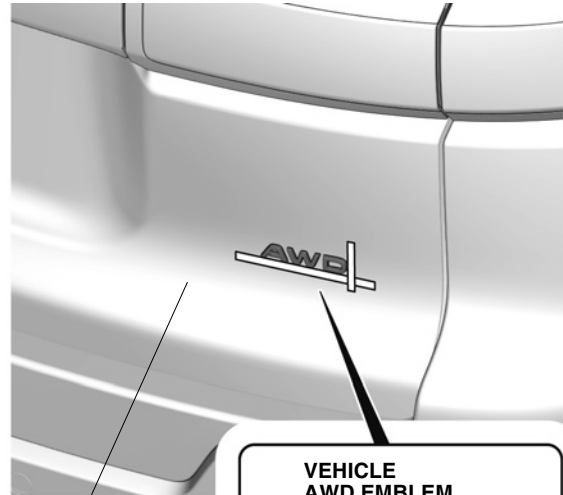
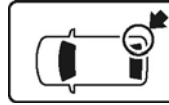
• Vehicle AWD emblem models

Go to step 47

• Other models

Go to step 61

47. Attach the masking tape.



TAILGATE

VEHICLE
AWD EMBLEM



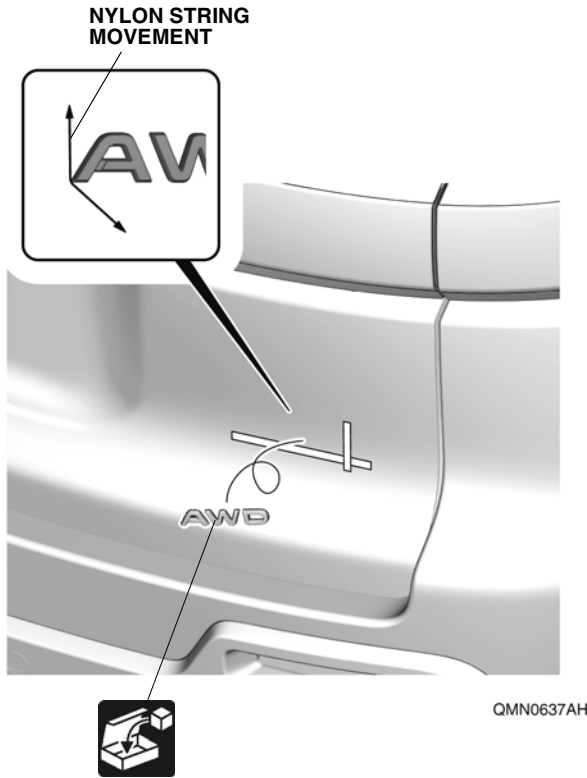
MASKING TAPE

QMN0636AH

48. Remove the vehicle AWD emblem.

NOTE

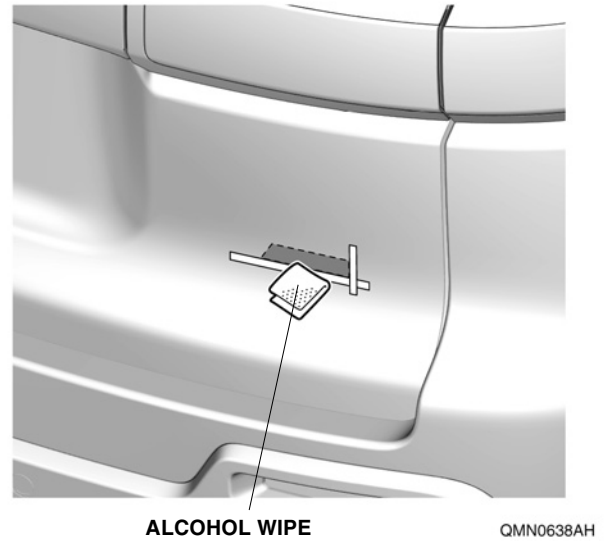
- Do not damage the vehicle body when removing the vehicle AWD emblem with the nylon string.
- Make sure to thoroughly remove the adhesive tape from the vehicle body.



49. Clean the attaching area.

NOTE

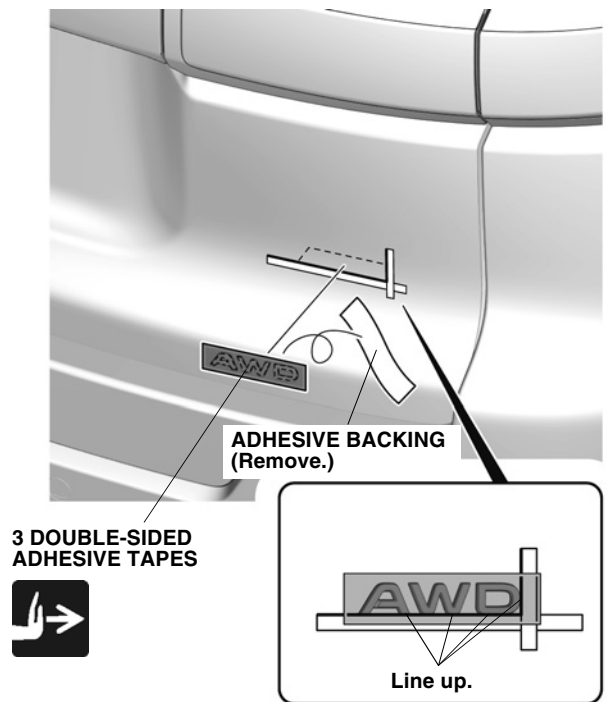
Allow to dry thoroughly.



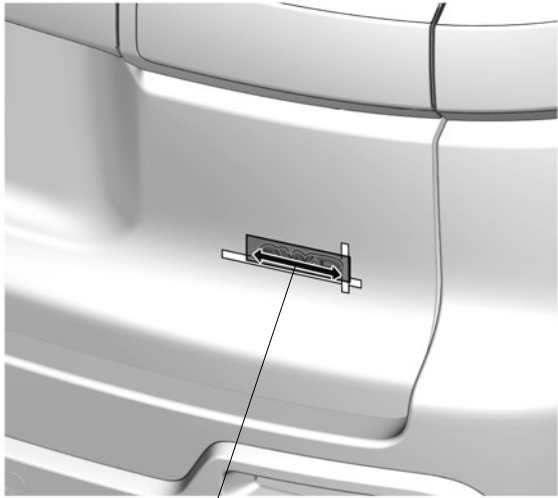
50. Attach the AWD emblem.

NOTE

Check the position of double-sided adhesive tape and make sure to press firmly.



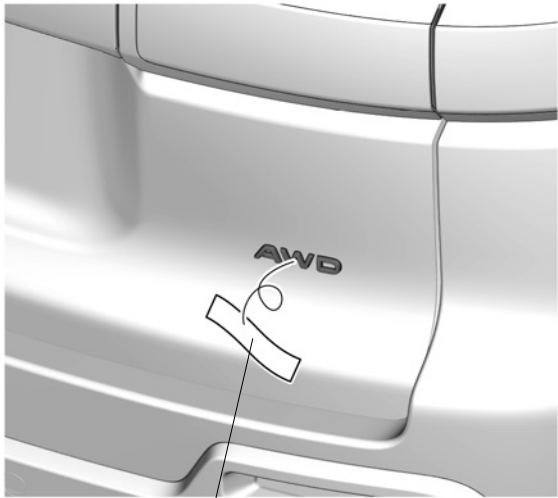
51. Secure the AWD emblem.



QMN0640AH

52. Remove the masking tape.

53. Remove the film.



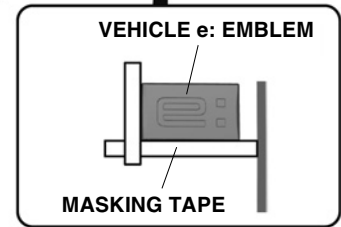
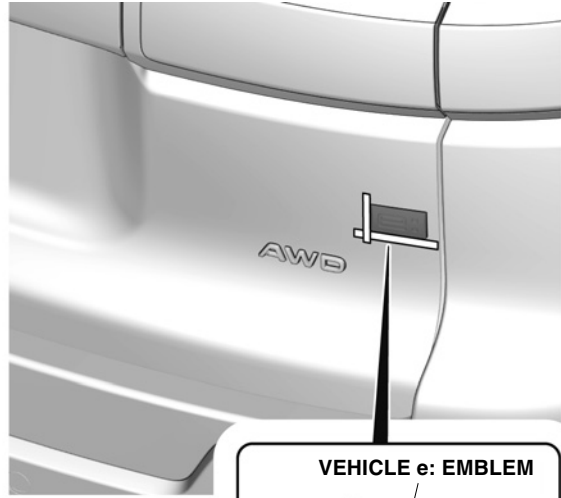
FILM
(Remove.)

QMN0641AH

54. Attach the masking tape.

NOTE

Emblem position may vary based on vehicle grade.



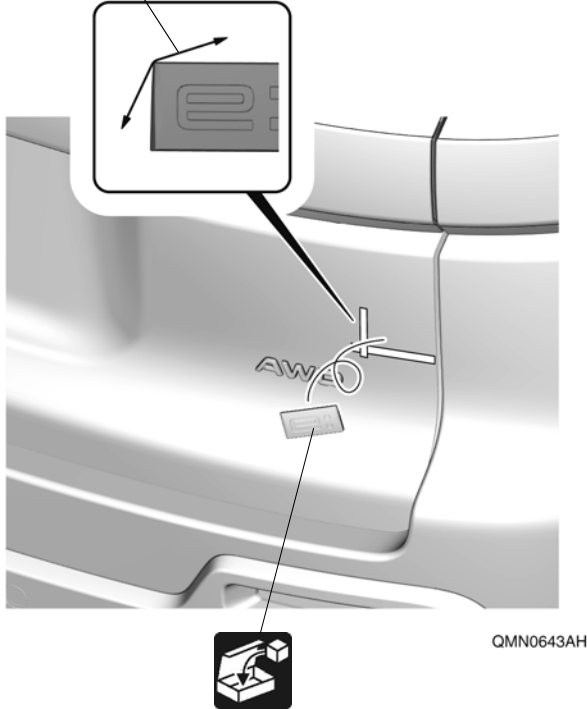
QMN0642AH

55. Remove the vehicle e: emblem.

NOTE

- Do not damage the vehicle body when removing the vehicle e: emblem with the nylon string.
- Make sure to thoroughly remove the adhesive tape from the vehicle body.

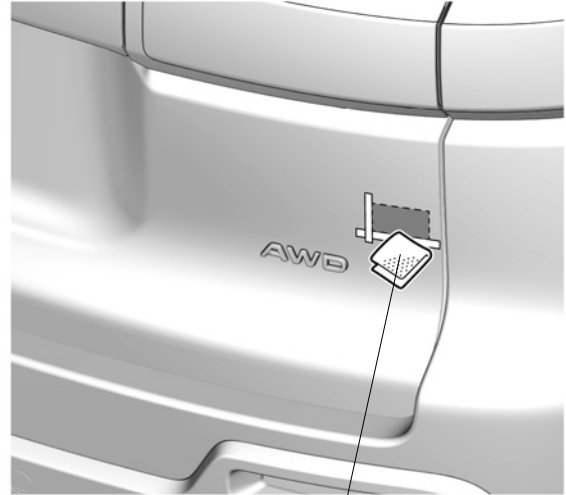
NYLON STRING
MOVEMENT



56. Clean the attaching area.

NOTE

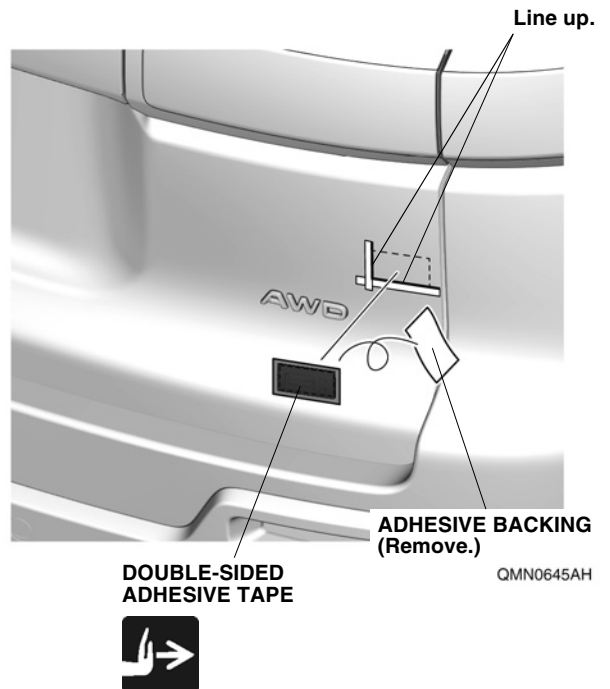
Allow to dry thoroughly.



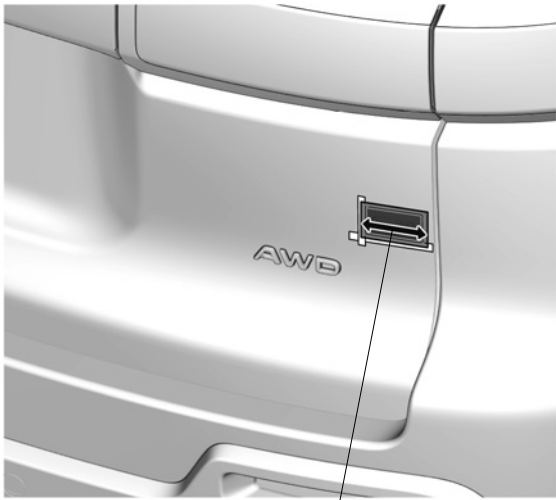
57. Attach the e: emblem.

NOTE

Check the position of double-sided adhesive tape and make sure to press firmly.



58. Secure the e: emblem.

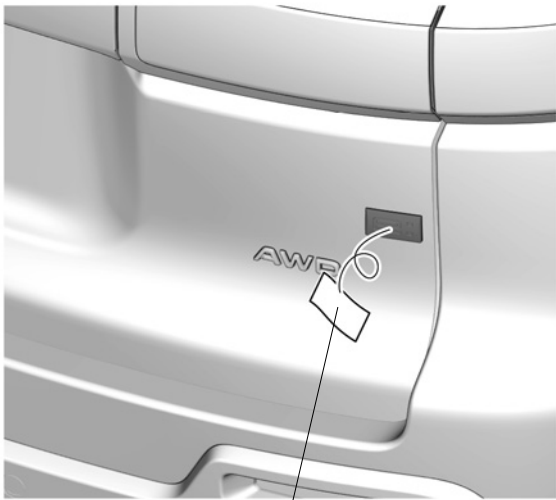


QMN0646AH



59. Remove the masking tape.

60. Remove the film.

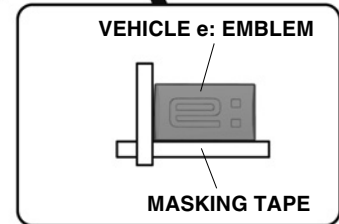
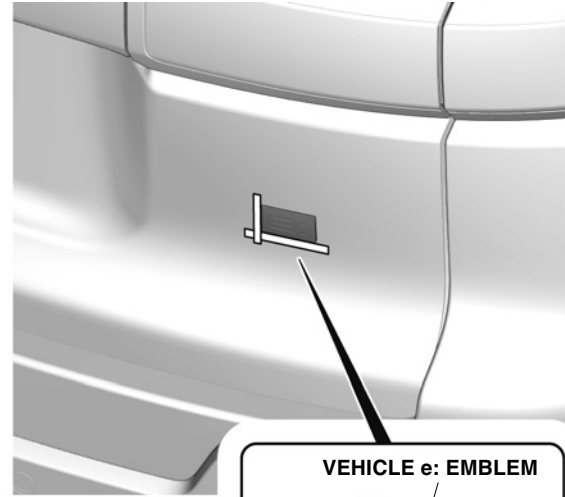


QMN0647AH

**FILM
(Remove.)**

Go to step 68

61. Attach the masking tape.



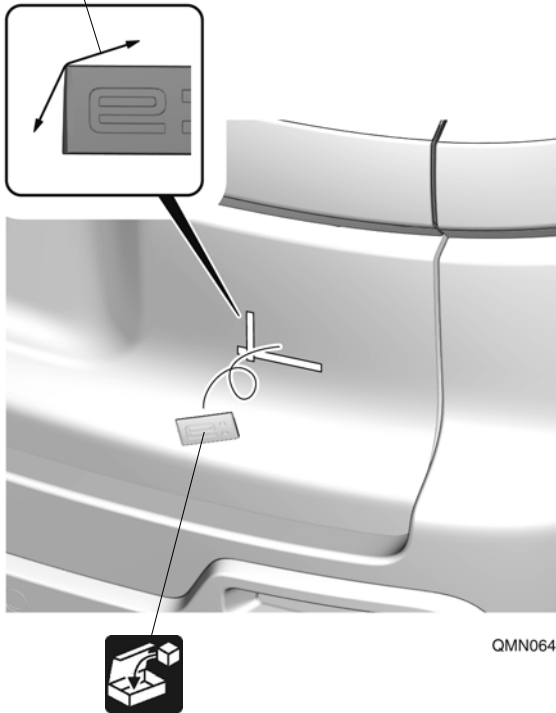
QMN0648AH

62. Remove the vehicle e: emblem.

NOTE

- Do not damage the vehicle body when removing the vehicle e: emblem with the nylon string.
- Make sure to thoroughly remove the adhesive tape from the vehicle body.

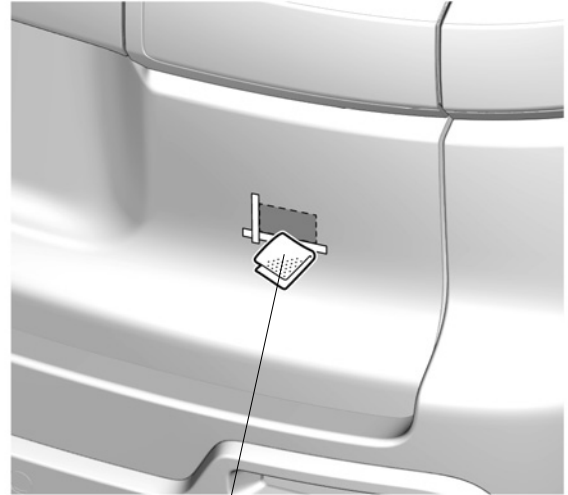
NYLON STRING
MOVEMENT



63. Clean the attaching area.

NOTE

Allow to dry thoroughly.

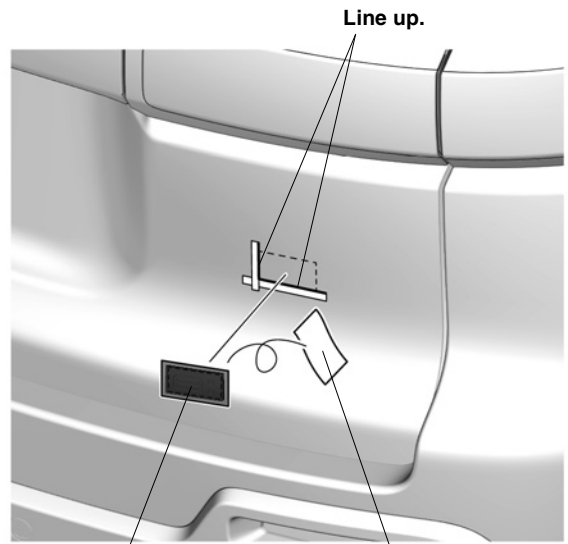


QMN0650AH

64. Attach the e: emblem.

NOTE

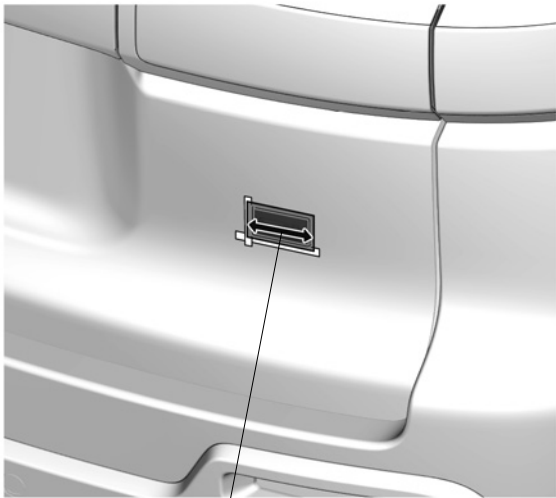
Check the position of double-sided adhesive tape and make sure to press firmly.



QMN0651AH

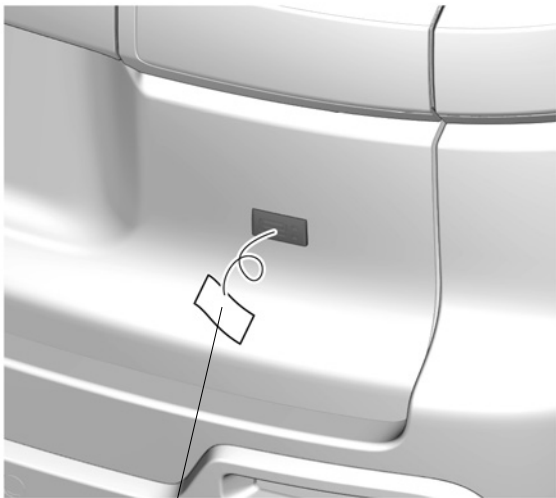


65. Secure the e: emblem.



QMN0652AH

66. Remove the masking tape.
67. Remove the film.



FILM
(Remove.)

QMN0653AH

68. Check that all parts are installed properly.