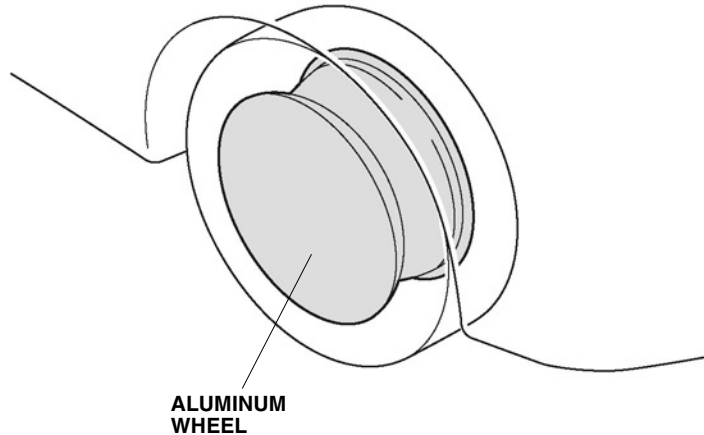




INSTALLATION INSTRUCTIONS

<p style="text-align: center;">Accessory</p> <p style="text-align: center;">19" ALUMINUM WHEEL</p>	<p style="text-align: center;">Application</p> <p style="text-align: center;">2024 PROLOGUE MODEL SERIES</p>	<p style="text-align: center;">Publications No.</p> <p style="text-align: center;">VERSION 1</p>
		<p style="text-align: center;">Issue Date</p> <p style="text-align: center;">FEB 2024</p>

GENERAL VIEW



Q0N0101AJ

FOR YOUR SAFETY (Read carefully.)

Warning Symbols

Safety: Your safety, and the safety of others, is important. To help you make informed decisions about service procedures, we have provided safety messages where appropriate. Of course, it is not practical or possible to warn you about all the hazards associated with servicing a vehicle - you must use your own good judgment.

You will find important safety messages preceded by one of the following symbols:

*All symbols are not used in all installation instructions.

⚠ DANGER

You will be killed or seriously hurt if you do not follow the instructions.

⚠ WARNING

You can be killed or seriously hurt if you do not follow the instructions.

⚠ CAUTION

You can be hurt if you do not follow the instructions.

NOTICE

Gives advice to prevent damage to the product, vehicle, the environment or other property.

NOTE

Gives helpful information or instructions to be followed when installing this product.

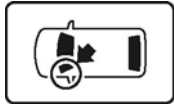


Indicates a prohibited action.

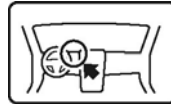
Procedure and Location Icons

These icons indicate the work location and the worker's point of view.

*All icons are not used in all installation instructions.



The location on the vehicle.



The location in the vehicle.
(Instrument panel.)



Wear eye protection.



Wear heavy gloves.



Use an assistant.



Place the part on a blanket.



Work perpendicular.



Remove any burrs.



Use touch-up paint and allow to dry.



Tighten to the specified torque.



Apply firm pressure while rolling, especially at the ends, to set the adhesive.



Press firmly.



Clean with isopropyl alcohol.



Return the original part to the customer.
(Do not reuse.)

Safety: General




- Observe all safety notes and precautions described in the service information, in addition to those described in this Installation Instruction. Be extremely careful for your safety and the safety of others.
- Always use the tire changer when installing or removing tires. See the Owner's Manual for reference.
- When using wheel balancer, refer to the Owner's Manual of used machinery.
- Be careful not to damage the vehicle or the parts.
- The illustrations may differ slightly from the actual accessory.

Safety: Accessory

- The illustration is an example. It may differ from the actual parts such as shapes.
- Always install the correct sized tires specified in the tire pressure caution plate.
- Always use the specified wheel nuts and wheel lock nuts.
- The standard wheel nuts may not be used with the aluminum wheels. Replace them with the correct wheel nuts which are sold separately as described below.
- Always use the parts and tools specified in the installation instructions.

PARTS LIST

Aluminum Wheel Kit (P/N 08W19-PS2-100)

<p>Aluminum wheel (The illustration may differ from the actual wheel.)</p>	<p>Wheel center cap (The illustration may differ from the actual center cap.)</p>	<p>TPMS sensor (sold separately)</p>
		

REQUIRED TOOLS AND SUPPLIES

- Ratchet
- Lubricant
- 22 mm Socket
- Valve insert tool
- Torque wrench

SPECIFICATIONS

Rim size	19 x 8 1/2J (inset 37)
Tire size	255/60R19 109H
Bolt hole PCD	132 (6 holes)

INSTALLATION

NOTICE

This aluminum wheel is designed for use on a vehicle equipped with a tire pressure monitoring system (TPMS).

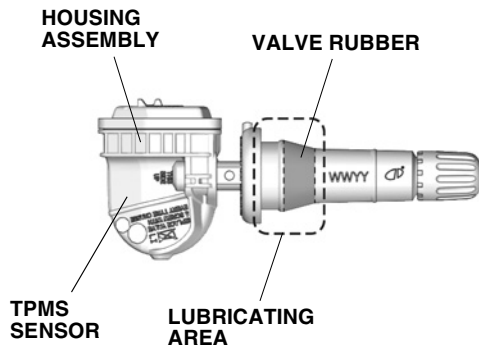
NOTE

- This aluminum wheel is equipped with a tire pressure sensor. See the service information for the tire replacement and sensor installation procedures.
- The illustrations of the aluminum wheels are shown for reference purposes only.
- Install the correct tire size.
- Follow the instructions in the Owner's Manual when raising the vehicle, and when removing and installing the wheels. Do not overtighten the wheel nuts. Wheel nut torque: 140 lb-ft (190 N·m)
- Use a tire changer to install and remove the tires according to the directions in the operation manual furnished with the tire changer. Do not use a tire lever to install and remove the tires as it may cause damage to the tire and aluminum wheel.

1. Clean the TPMS sensor.
2. Apply lubricant to the valve rubber.

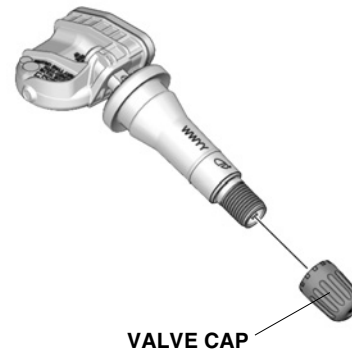
NOTICE

Do not apply lubricant or immerse the housing assembly.



QN20104AH

3. Remove the valve cap.

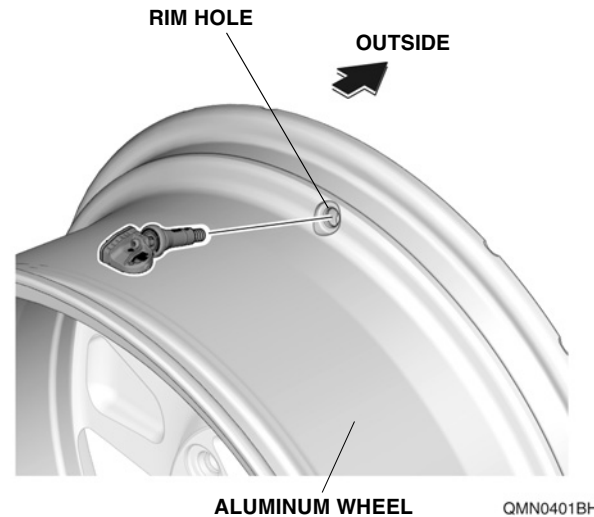


QN20105AH

4. Clean the aluminum wheel.

NOTE

Cleaning the mating surface.



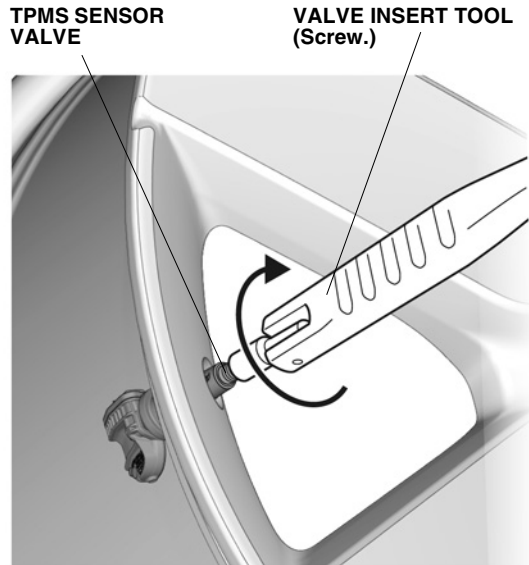
QMN0401BH

5. Insert the TPMS sensor.

NOTE

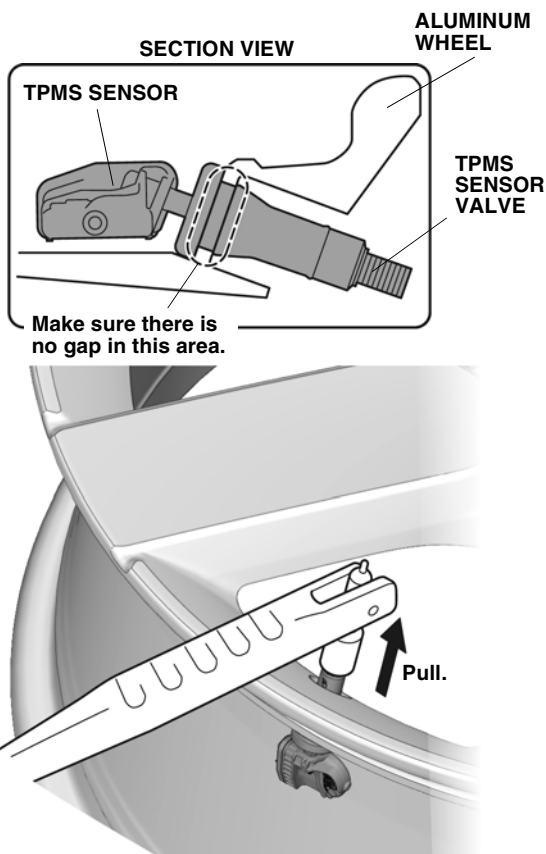
Make sure to install the TPMS sensor in the correct orientation.

6. Install the valve insert tool.



QMN0402BH

7. Pull the TPMS sensor valve.



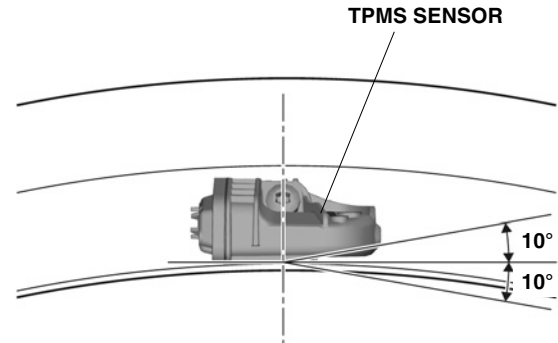
QMN0403BH

8. Install the valve cap.

9. Check the TPMS sensor.

NOTICE

Keep angle between the tangent of the rim drop-well and bottom surface of the housing within -10° to $+10^{\circ}$ after insertion.



QN20106AH

10. Install the tires.
11. Install the wheel center caps.
12. Install the wheels.

NOTE

Wheel nut torque: 140 lb-ft (190 N·m)

13. TPMS sensor relearn. Refer to service information.