

Germain Honda of College Hills



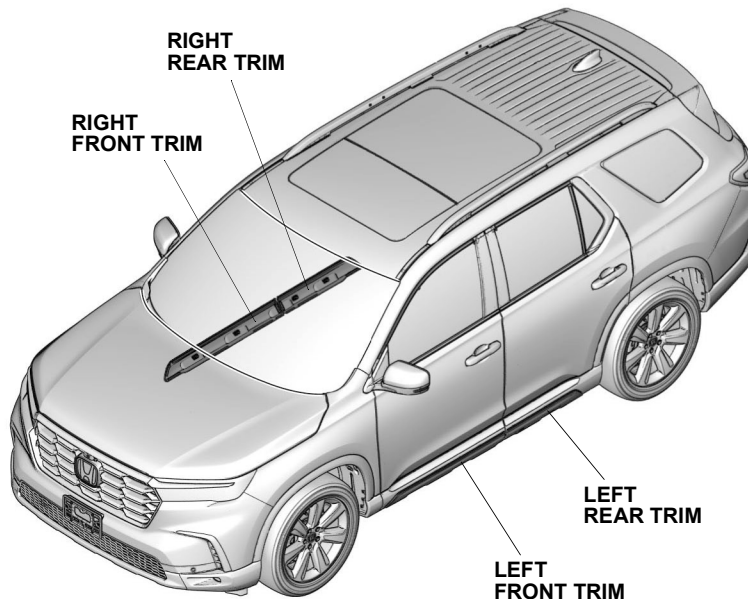
INSTALLATION INSTRUCTIONS

Accessory
DOOR LOWER TRIMS

Application
2023 PILOT
MODEL SERIES

Publications No.
VERSION 1
Issue Date
NOV 2022

GENERAL VIEW



QM42701AB

FOR YOUR SAFETY (Read carefully.)

Warning Symbols

Safety: Your safety, and the safety of others, is important. To help you make informed decisions about service procedures, we have provided safety messages where appropriate. Of course, it is not practical or possible to warn you about all the hazards associated with servicing a vehicle - you must use your own good judgment.

You will find important safety messages preceded by one of the following symbols:

*All symbols are not used in all installation instructions.

⚠ DANGER

You will be killed or seriously hurt if you do not follow the instructions.

⚠ WARNING

You can be killed or seriously hurt if you do not follow the instructions.

⚠ CAUTION

You can be hurt if you do not follow the instructions.

NOTICE

Gives advice to prevent damage to the product, vehicle, the environment or other property.

NOTE

Gives helpful information or instructions to be followed when installing this product.



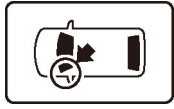
Indicates a prohibited action.

Germain Honda of College Hills

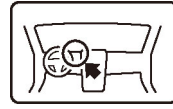
Procedure and Location Icons

These icons indicate the work location and the worker's point of view.

*All icons are not used in all installation instructions.



The location on the vehicle.



The location in the vehicle.
(Instrument panel.)



Wear eye protection.



Wear heavy gloves.



Use an assistant.



Place the part on a blanket.



Work perpendicular.



Remove any burrs.



Use touch-up paint and allow to dry.



Tighten to the specified torque.



Apply firm pressure while rolling, especially at the ends, to set the adhesive.



Press firmly.



Clean with isopropyl alcohol.



Return the original part to the customer.
(Do not reuse.)

Safety: General

- Be careful not to damage the vehicle or the parts.
- The illustrations may differ slightly from the actual accessory.

Safety: Accessory

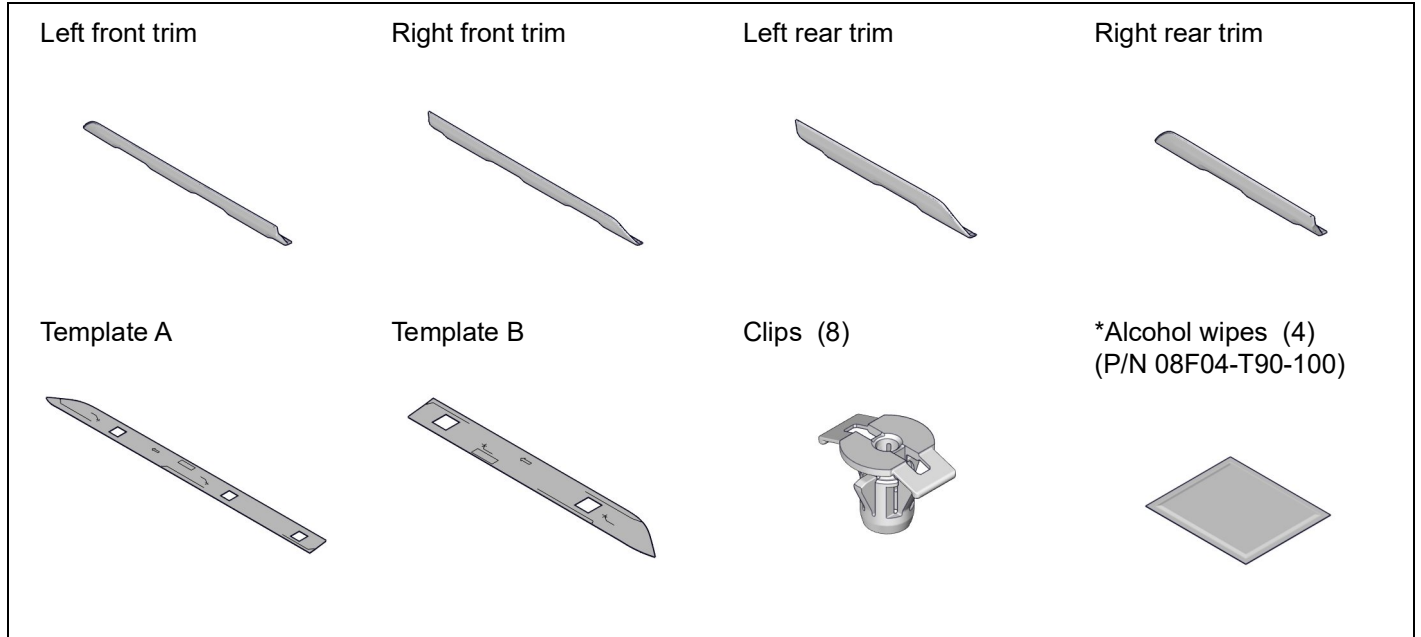
- Do not install the accessory on a dirty surface or in direct sunlight.
- Make sure the ambient air temperature is 60°F (15°C) or above when installing accessories that use adhesive material.
- When pressing the accessory firmly with the palm of your hand, be careful not to damage it or the vehicle.
- When applying adhesive material, make sure it is lined up properly before attaching. Once the adhesive material touches the surface, do not try to remove it. If you do, you could damage the part.
- Do not wash the vehicle for 24 hours to allow the adhesive to cure.

Germain Honda of College Hills

PARTS LIST

Door Lower Trims Kit
(P/N 08F04-T90-100)
(P/N 08F04-T90-P00)

(*: The part differs depending on the kit.)



REQUIRED TOOLS AND SUPPLIES

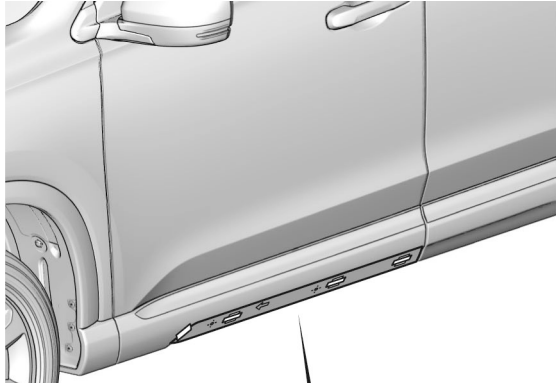
- Pushpin
- Drill
- File
- 3 mm, 6 mm, 8 mm, and 12 mm Drill bits
- Masking tape
- Ruler
- Eye protection (face shield, safety goggles, etc.)

The following tool is available through the Honda Tool and Equipment Program:
Rubber Roller (T/N MHLE54D)

Germain Honda of College Hills

INSTALLATION

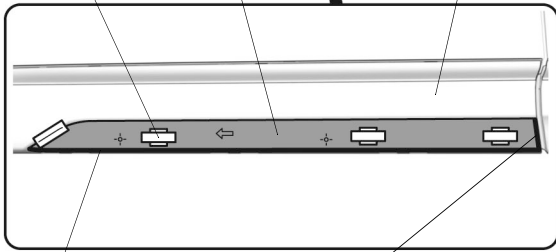
1. Secure the template A.



MASKING TAPE

TEMPLATE A

LEFT FRONT DOOR LOWER TRIM

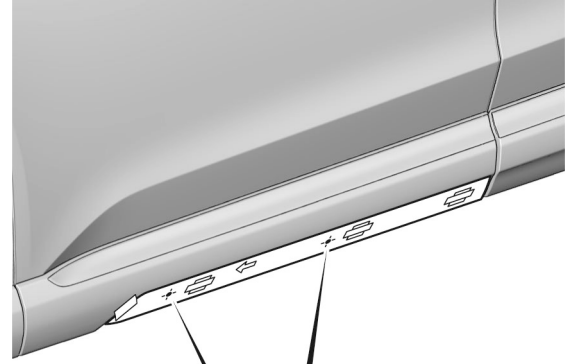


Line up with the character line.

Line up with the end of the curved surface of the left front door lower trim.

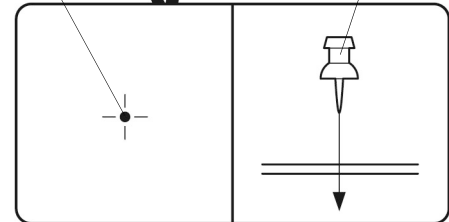
QM42702BB

2. Pierce the left front door lower trim.



● : 2 MARKS

PUSHPIN



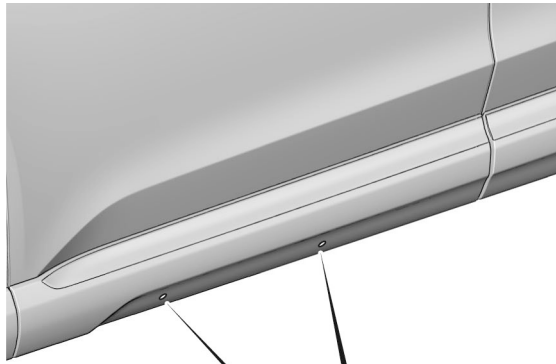
2 TEMPLATE A HOLES

QM42703AB

3. Remove the template A.

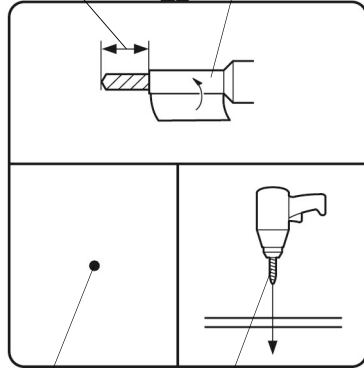
Germain Honda of College Hills

4. Drill the left front door lower trim.



10 mm
(0.39 in.)

MASKING
TAPE



● : 2 MARKS

QM42704AB

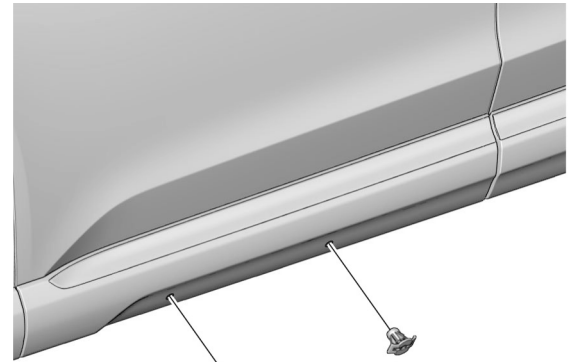
3 mm → 6 mm →
8 mm →
12 mm DRILL BITS



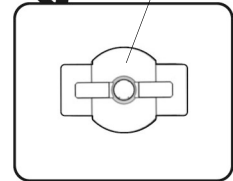
5. Install the clips.

NOTE

Make sure to install the clips in the correct orientation.



2 CLIPS

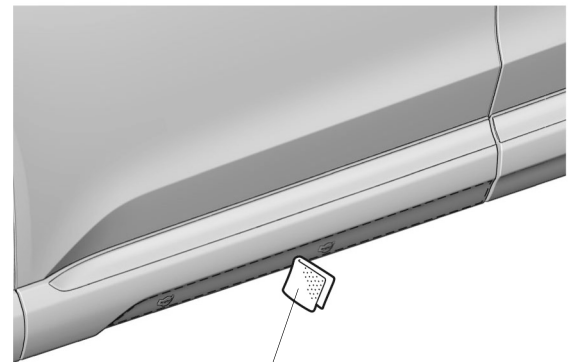


QM42705BB

6. Clean the attaching area.

NOTE

Allow to dry thoroughly.

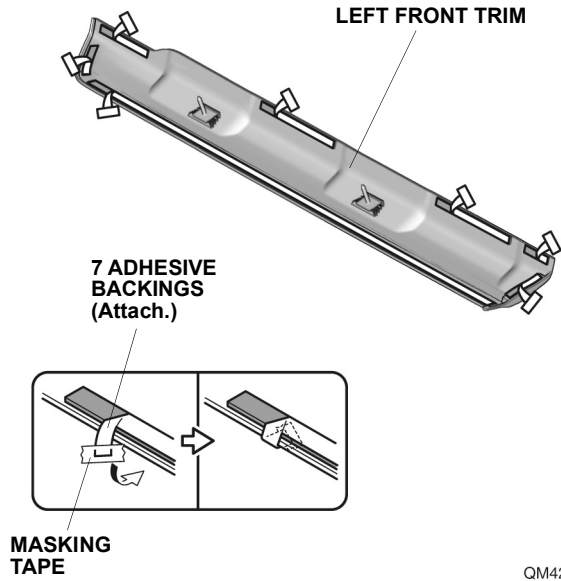


ALCOHOL WIPE

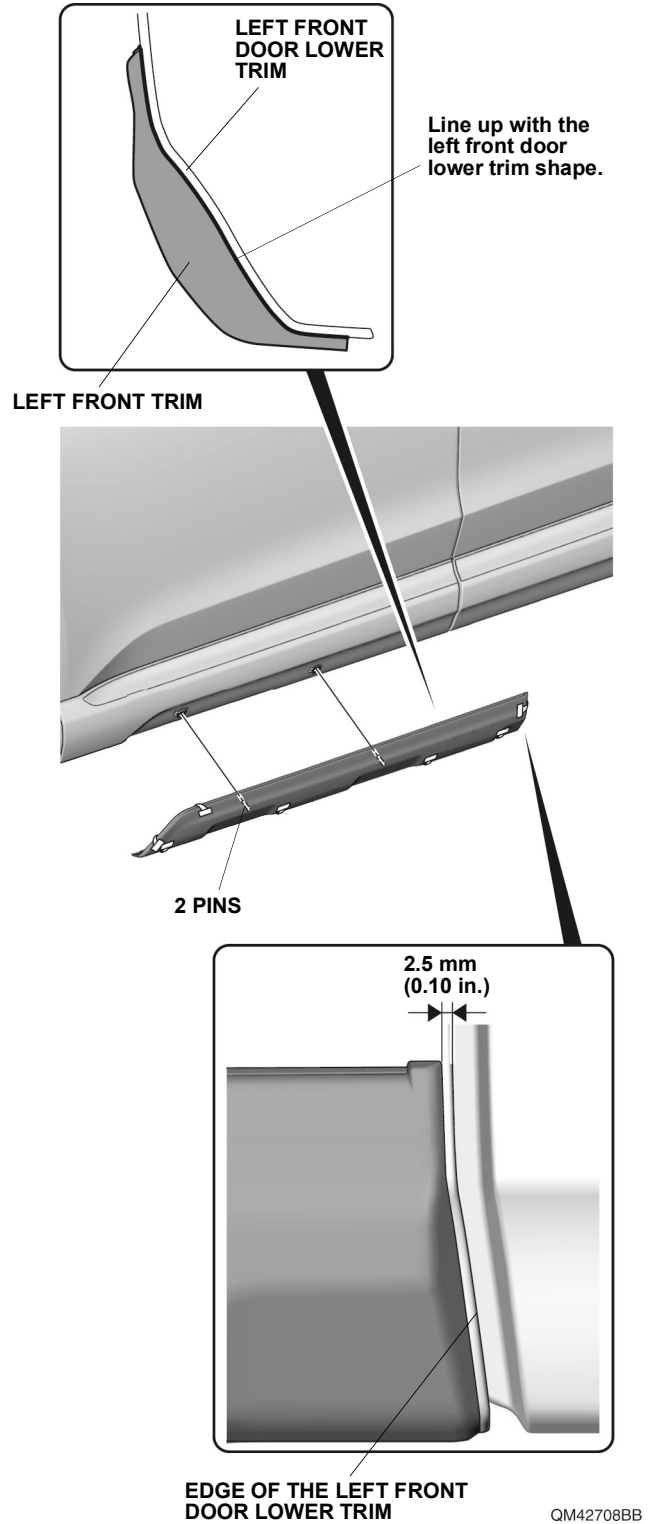
QM42706AB

Germain Honda of College Hills

7. Temporarily attach the adhesive backings.



8. Position the left front trim.

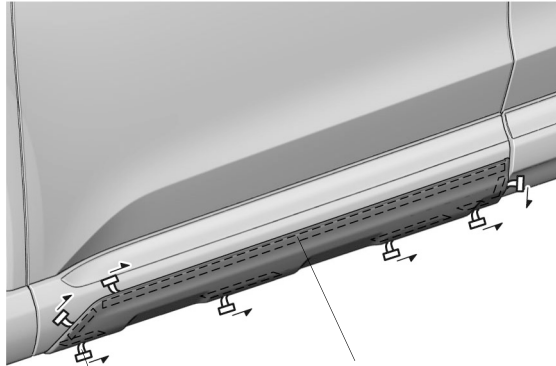


Germain Honda of College Hills

9. Secure the left front trim.

NOTE

Check the position of the double-sided adhesive tapes and make sure to press firmly.



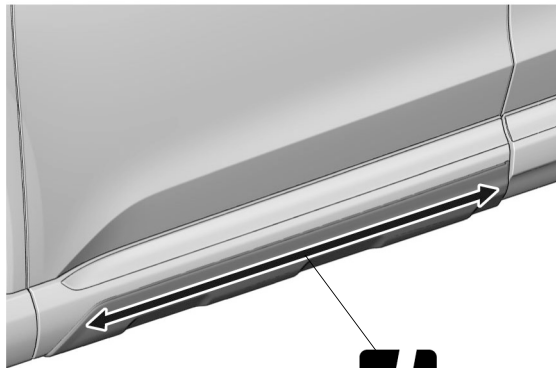
7 ADHESIVE BACKINGS (Remove.)

7 DOUBLE-SIDED ADHESIVE TAPES



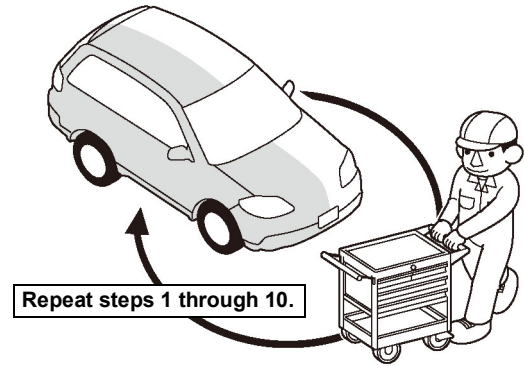
QM42901AB

10. Secure the left front trim.



QM42902AB

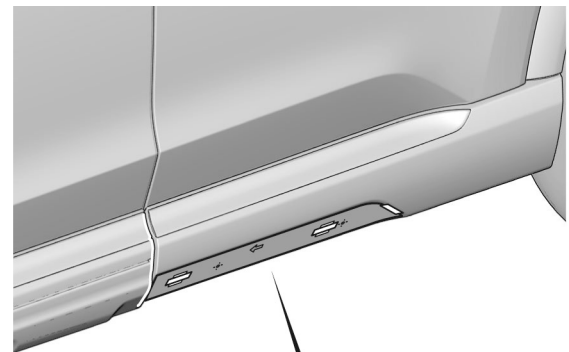
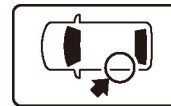
11. Flip the template A, and repeat the same procedures on the other side.



Repeat steps 1 through 10.

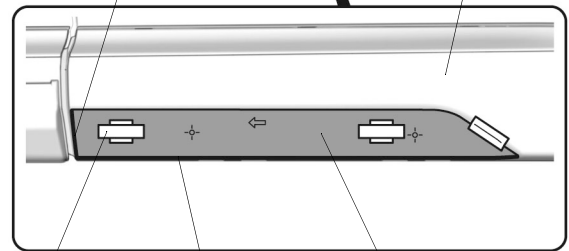
Q9D1014AM

12. Secure the template B.



Line up with the end of the curved surface of the left rear door lower trim.

LEFT REAR DOOR LOWER TRIM



MASKING TAPE

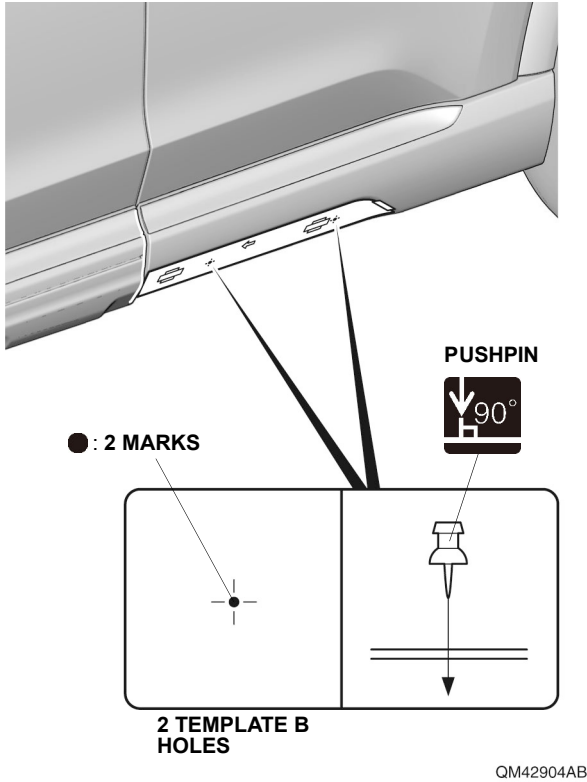
Line up with the character line.

TEMPLATE B

QM42903BB

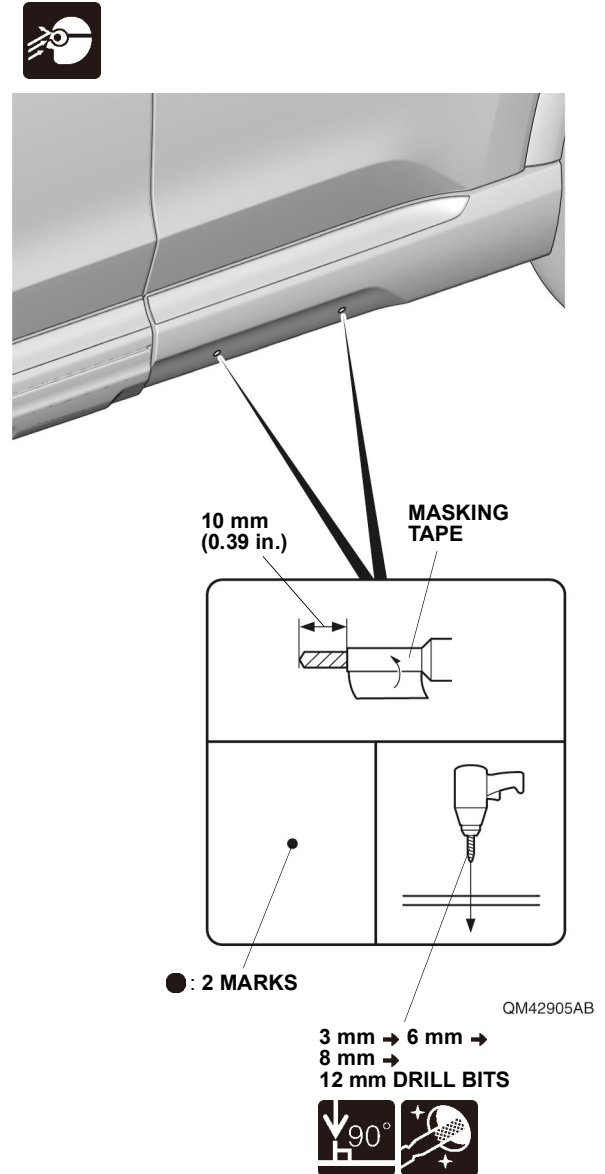
Germain Honda of College Hills

13. Pierce the left rear door lower trim.



14. Remove the template B.

15. Drill the left rear door lower trim.

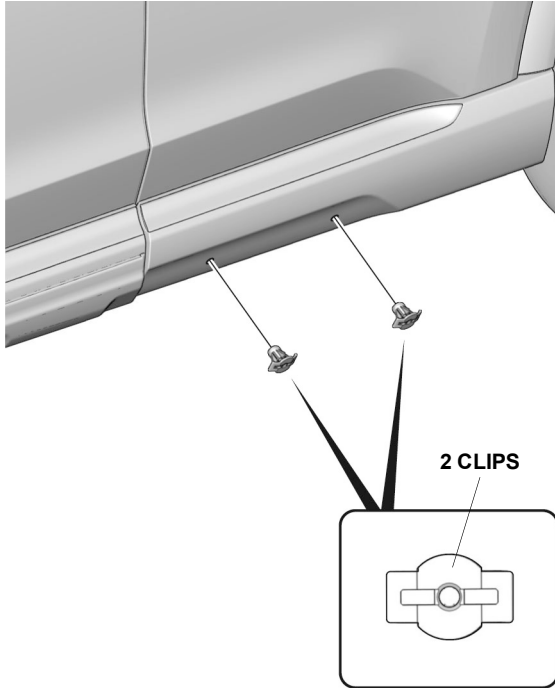


Germain Honda of College Hills

16. Install the clips.

NOTE

Make sure to install the clips in the correct orientation.

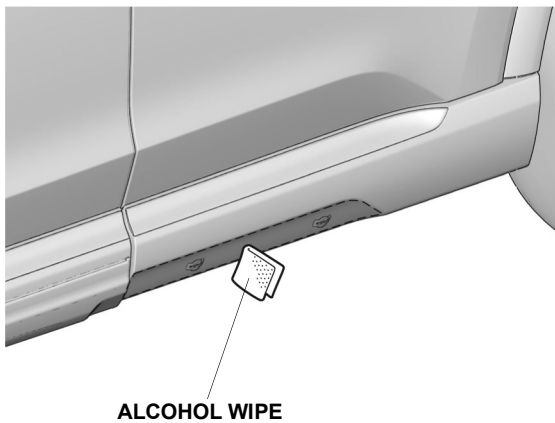


QM42906BB

17. Clean the attaching area.

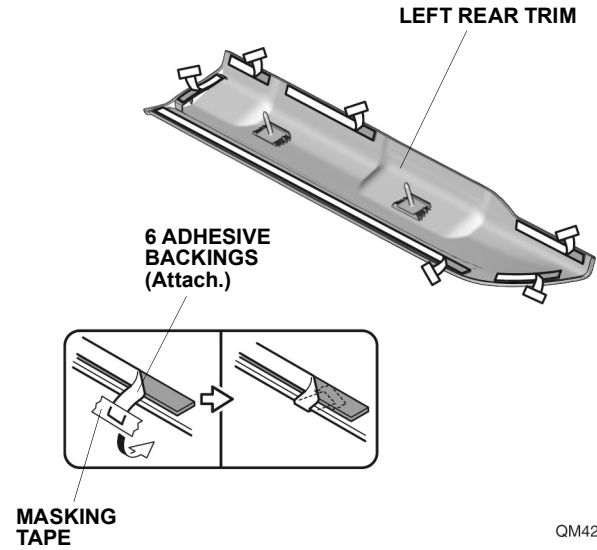
NOTE

Allow to dry thoroughly.



QM42907AB

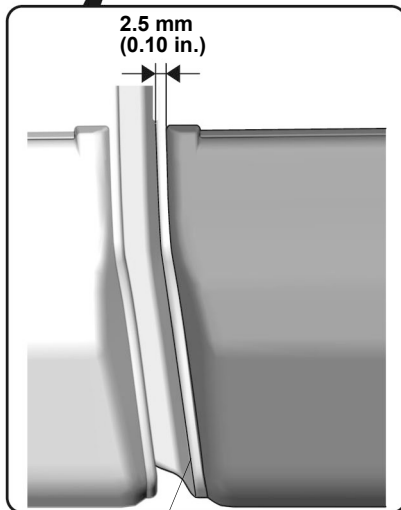
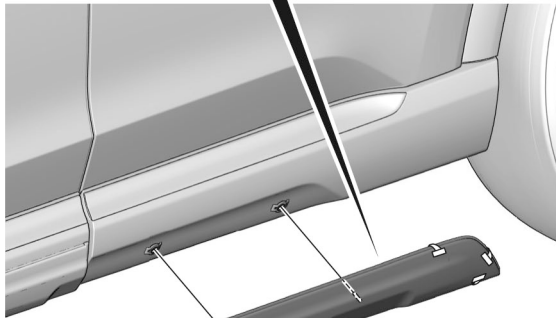
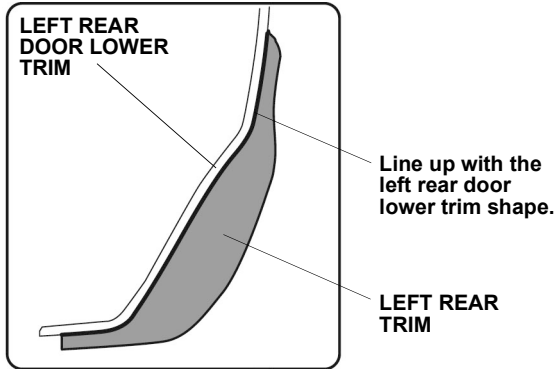
18. Temporarily attach the adhesive backings.



QM42908AB

Germain Honda of College Hills

19. Position the left rear trim.



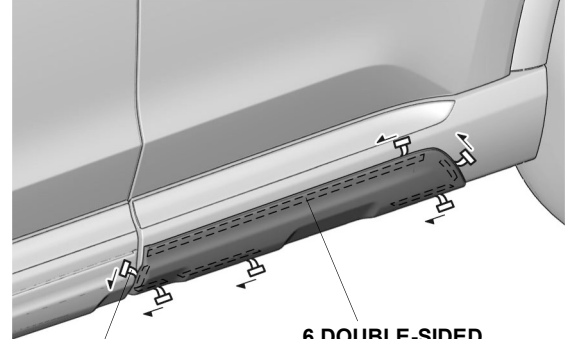
EDGE OF THE LEFT REAR DOOR LOWER TRIM

QM42909BB

20. Secure the left rear trim.

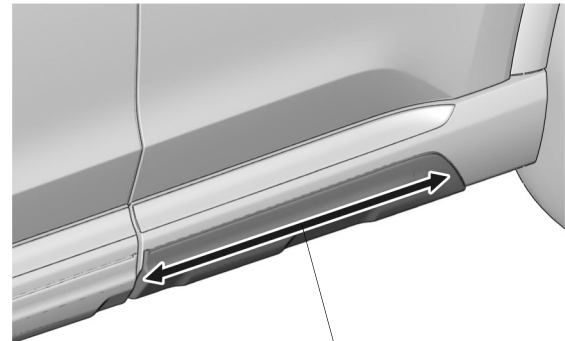
NOTE

Check the position of the double-sided adhesive tapes and make sure to press firmly.



QM42910AB

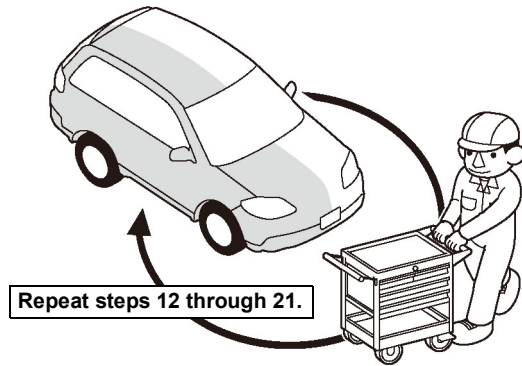
21. Secure the left rear trim.



QM42911AB

Germain Honda of College Hills

22. Flip the template B, and repeat the same procedures on the other side.



Q9D1014AM

23. Check that all parts are installed properly.