

# Germain Honda of College Hills



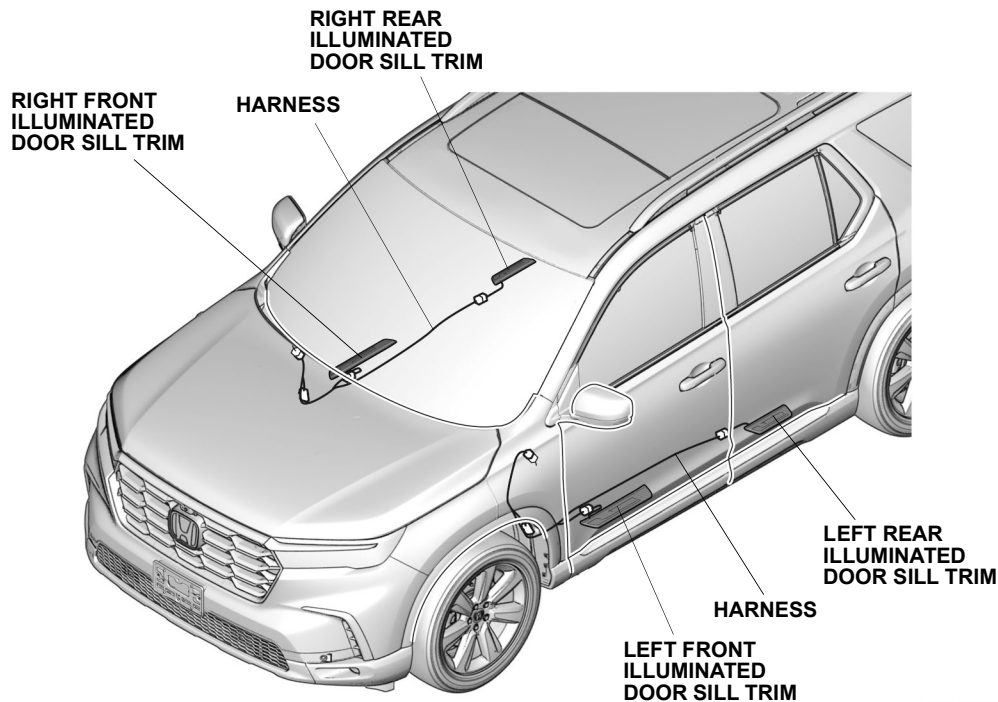
## INSTALLATION INSTRUCTIONS

Accessory  
ILLUMINATED  
DOOR SILL TRIMS

Application  
2023 PILOT  
MODEL SERIES

Publications No.  
VERSION 1  
Issue Date  
NOV 2022

### GENERAL VIEW



QM60922AG

### FOR YOUR SAFETY (Read carefully.)

#### Warning Symbols

Safety: Your safety, and the safety of others, is important. To help you make informed decisions about service procedures, we have provided safety messages where appropriate. Of course, it is not practical or possible to warn you about all the hazards associated with servicing a vehicle - you must use your own good judgment.

You will find important safety messages preceded by one of the following symbols:

\*All symbols are not used in all installation instructions.

**⚠ DANGER**

You will be killed or seriously hurt if you do not follow the instructions.

**⚠ WARNING**

You can be killed or seriously hurt if you do not follow the instructions.

**⚠ CAUTION**

You can be hurt if you do not follow the instructions.

**NOTICE**

Gives advice to prevent damage to the product, vehicle, the environment or other property.

**NOTE**

Gives helpful information or instructions to be followed when installing this product.



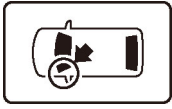
Indicates a prohibited action.

# Germain Honda of College Hills

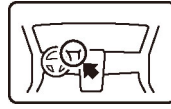
## Procedure and Location Icons

These icons indicate the work location and the worker's point of view.

\*All icons are not used in all installation instructions.



The location on the vehicle.



The location in the vehicle.  
(Instrument panel.)



Wear eye protection.



Wear heavy gloves.



Use an assistant.



Place the part on a blanket.



Work perpendicular.



Remove any burrs.



Use touch-up paint and allow to dry.



Tighten to the specified torque.



Apply firm pressure while rolling, especially at the ends, to set the adhesive.



Press firmly.

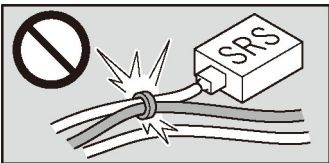


Clean with isopropyl alcohol.

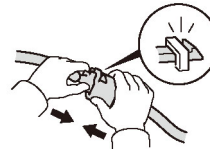


Return the original part to the customer.  
(Do not reuse.)

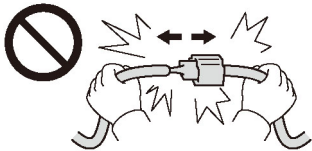
## Wire Harness Routing Precaution



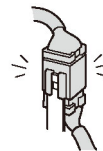
Do not secure the accessory harness to the SRS harness. (except for instruction cases.)



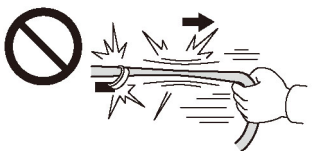
Push the connectors and terminals together until they lock.



Do not pull the harness to unplug the connectors.



Install removed connectors in their original location.



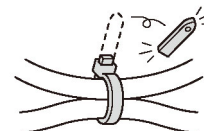
Do not pull the harness.



Secure the accessory harness as shown.



Do not pinch the harness.



Cut off the excess wire tie.

# Germain Honda of College Hills

## Safety: General

- Observe all safety notes and precautions described in the service information, in addition to those described in this Installation Instruction. Be extremely careful for your safety and safety of others.
- Be careful not to damage the vehicle or the parts.
- Be extremely careful when handling retaining tabs and clips.
- Note the locations of the parts before removing them so they can be properly installed in their original positions.
- The illustrations may differ slightly from the actual accessory.

## Safety: Electric Parts

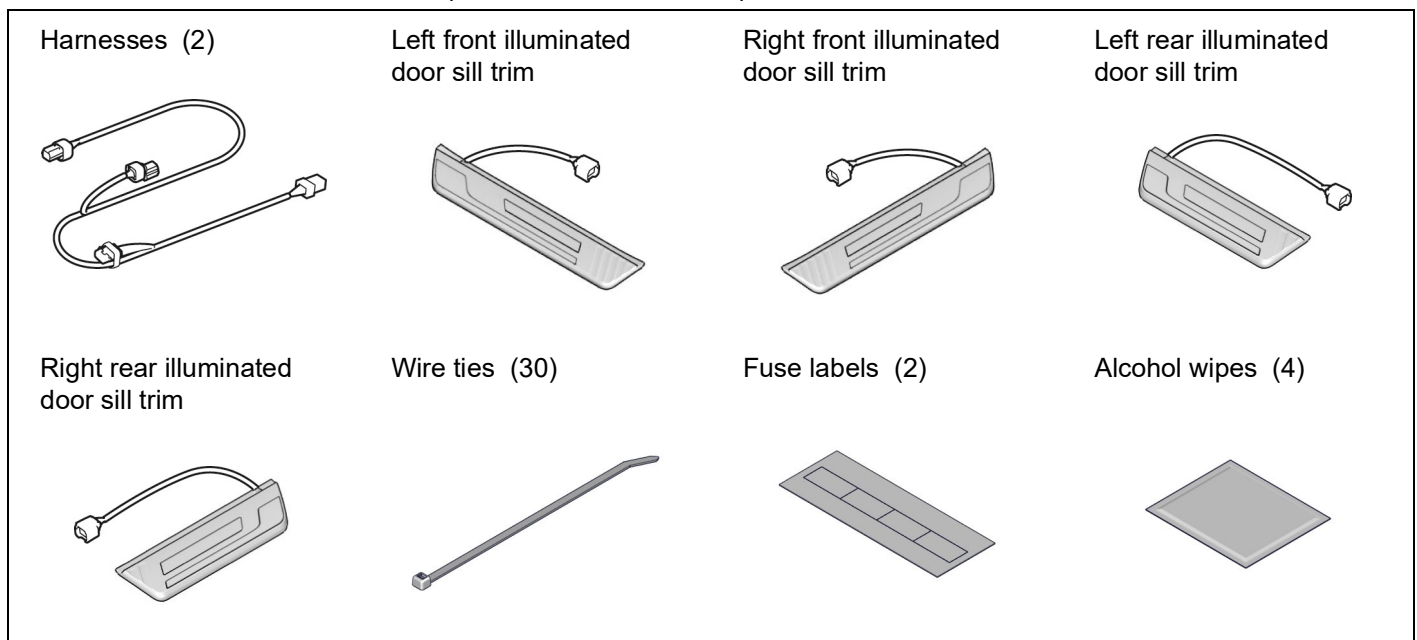
Always disconnect the negative cable from the battery before beginning work.

## Safety: Accessory

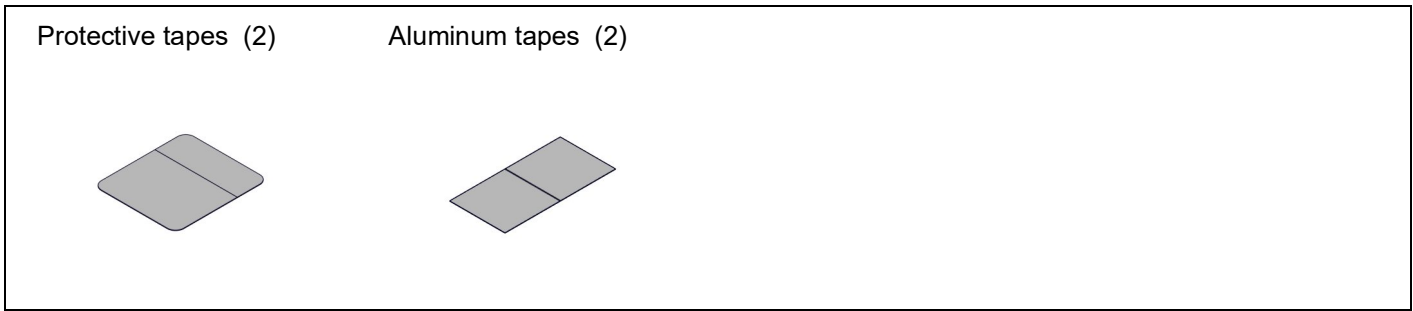
- Always use the parts and tools specified in the installation instructions.
- Do not install the accessory on a dirty surface or in direct sunlight.
- Make sure the ambient air temperature is 60°F (15°C) or above when installing accessories that use adhesive material.
- When pressing the accessory firmly with the palm of your hand, be careful not to damage it or the vehicle.
- When applying adhesive material, make sure it is lined up properly before attaching. Once the adhesive material touches the surface, do not try to remove it. If you do, you could damage the part.
- Do not wash the vehicle for 24 hours to allow the adhesive to cure.

## PARTS LIST

### Illuminated Door Sill Trims Kit (P/N 08E12-T90-100)



# Germain Honda of College Hills



## REQUIRED TOOLS AND SUPPLIES

- 10 mm Open end wrench
- Ruler
- Ratchet
- Scissors
- Isopropyl alcohol
- Diagonal cutters
- 14 mm Socket
- Shop towel
- Masking tape
- Torque wrench

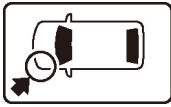
The following tools are available through the Honda Tool and Equipment Program:

- Trim Tool Set (T/N SOJATP2014)
- Plastic Trim Tool (T/N SILTRIMTL10)
- Rubber Roller (T/N MHLE54D)

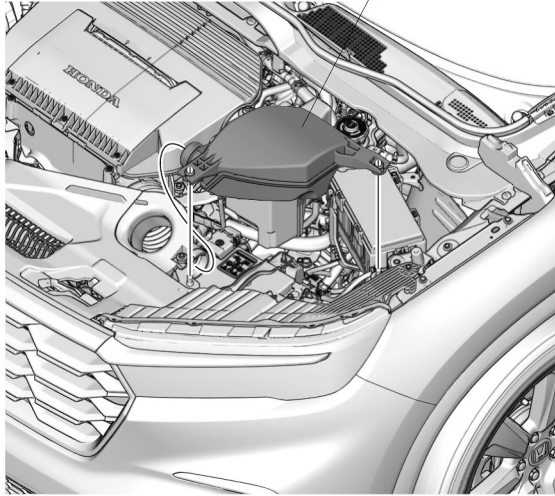
# Germain Honda of College Hills

## INSTALLATION

1. Remove the resonator.



RESONATOR

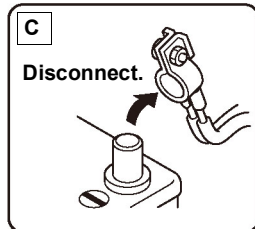
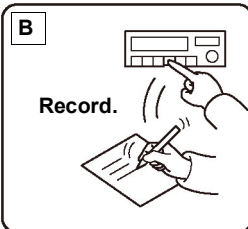
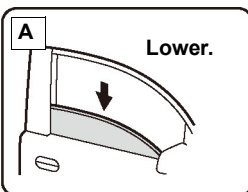


QM52005AG

2. Disconnect the negative cable from the battery.

### NOTE

With the driver's door open, turn the vehicle to the OFF (LOCK) mode, then wait at least 3 minutes before disconnecting the 12 volt negative battery cable.



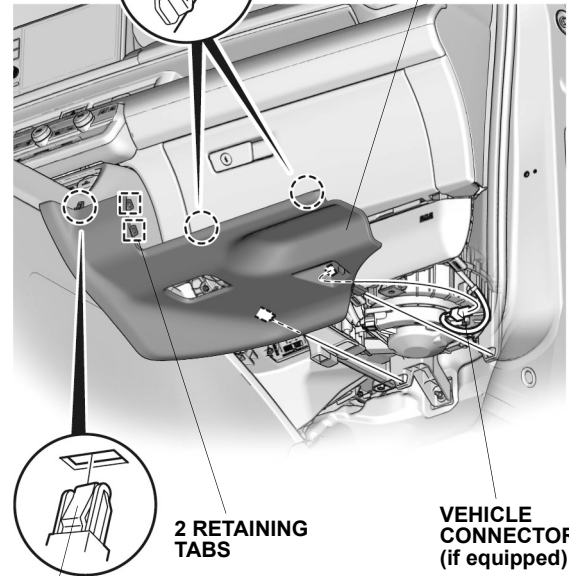
QCD0502BM

3. Remove the passenger's dashboard under cover.



2 CLIPS

PASSENGER'S DASHBOARD UNDER COVER



CLIP

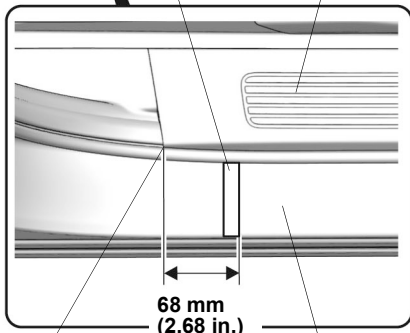
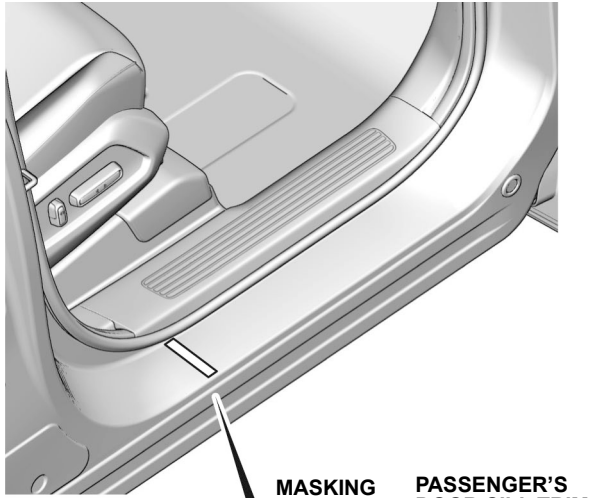
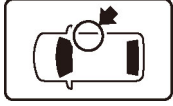
2 RETAINING TABS

VEHICLE CONNECTOR (if equipped)

QM60901AG

# Germain Honda of College Hills

4. Attach masking tape.



EDGE OF THE PASSENGER'S DOOR SILL TRIM

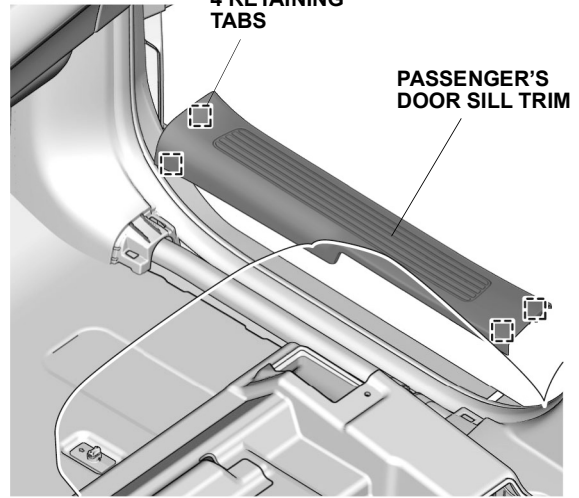
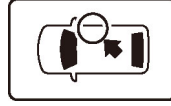
MASKING TAPE

PASSENGER'S DOOR SILL TRIM

68 mm (2.68 in.)  
VEHICLE PANEL

QM60902AG

5. Remove the passenger's door sill trim.

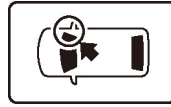


4 RETAINING TABS

PASSENGER'S DOOR SILL TRIM

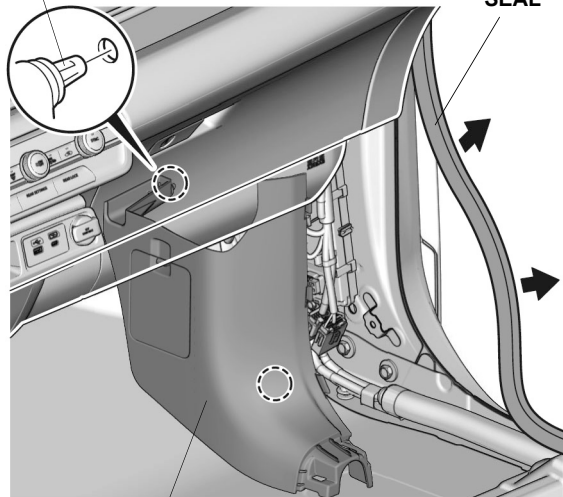
QM60903AG

6. Remove the passenger's kick panel.



2 CLIPS

DOOR OPENING SEAL

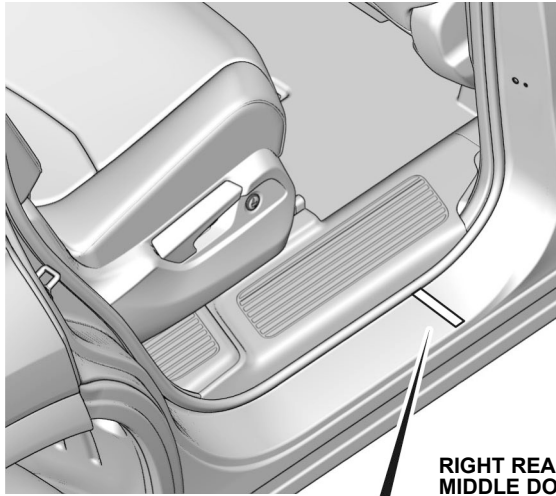
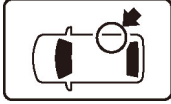


PASSENGER'S KICK PANEL

QM60904AG

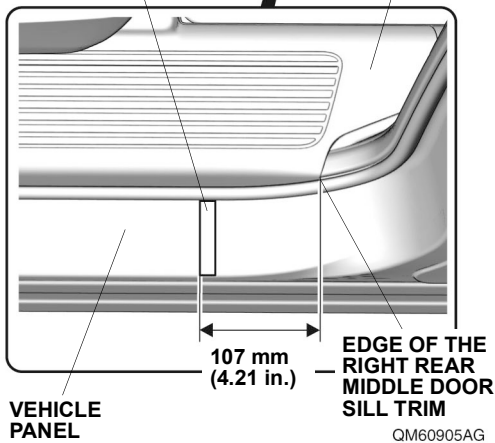
# Germain Honda of College Hills

7. Attach masking tape.



**MASKING TAPE**

**RIGHT REAR MIDDLE DOOR SILL TRIM**



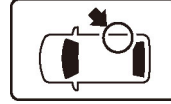
**VEHICLE PANEL**

**107 mm  
(4.21 in.)**

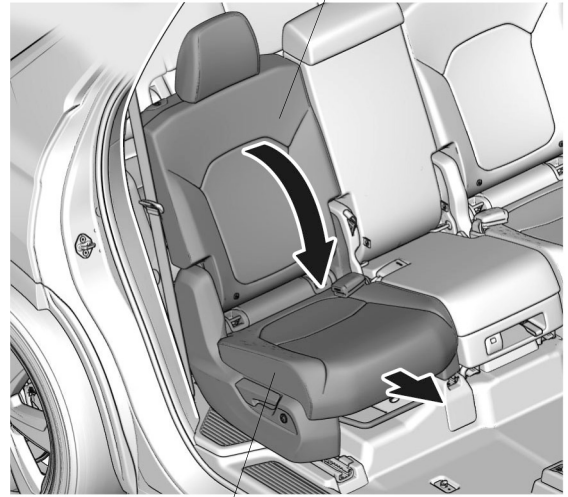
**EDGE OF THE  
RIGHT REAR  
MIDDLE DOOR  
SILL TRIM**

QM60905AG

8. Fold down the right second row seat.



**RIGHT  
SECOND ROW  
SEAT**



**Move forward.**

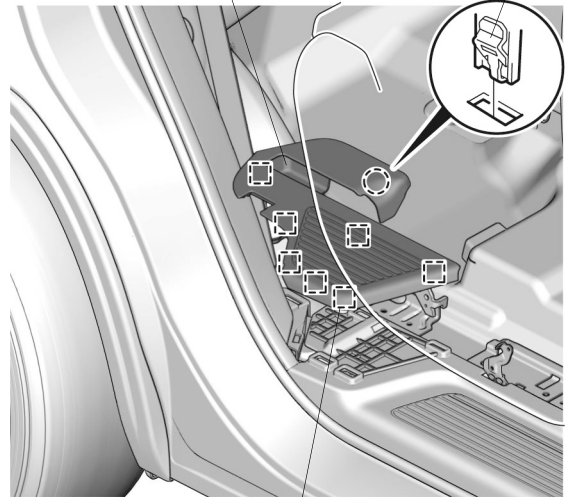
QM60906AG

9. Move the right second row seat.

10. Remove the right rear upper door sill trim.

**RIGHT REAR UPPER  
DOOR SILL TRIM**

**CLIP**

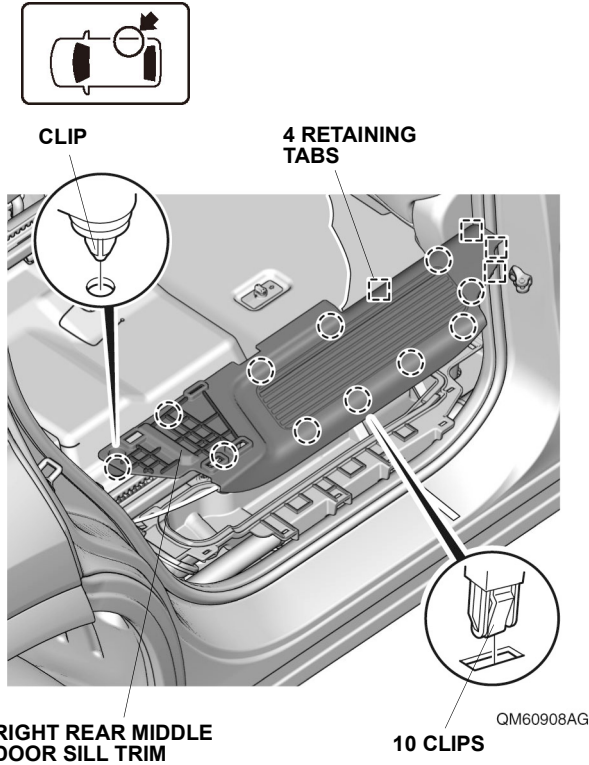


**7 RETAINING  
TABS**

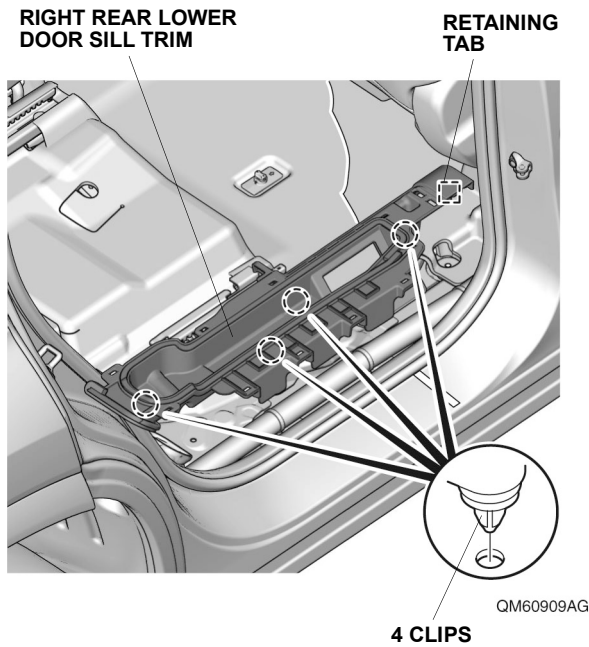
QM60907AG

# Germain Honda of College Hills

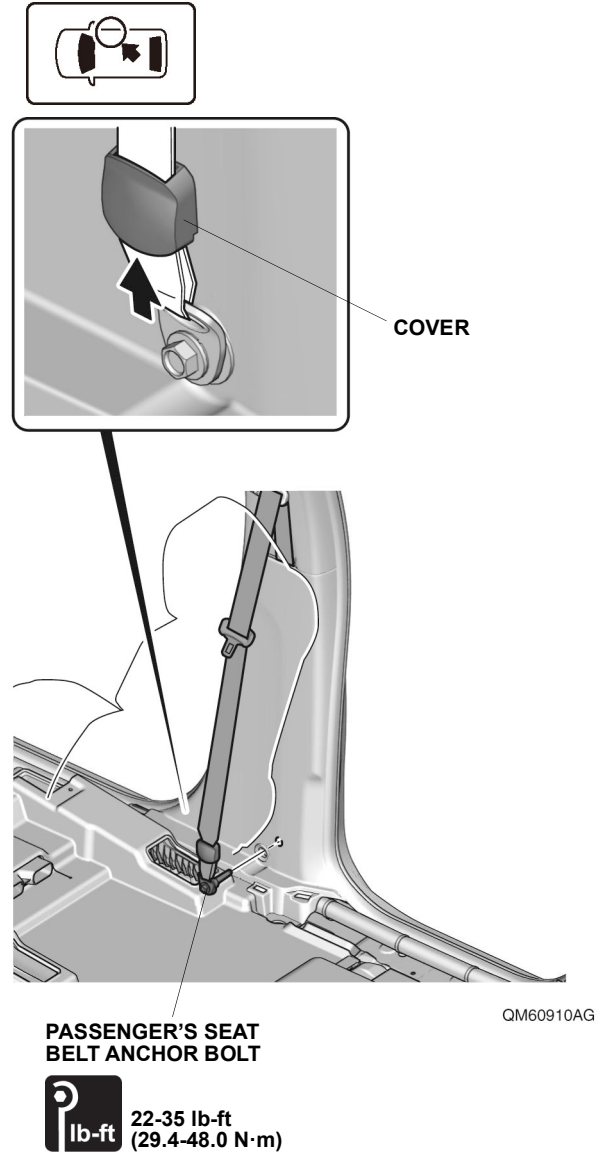
11. Remove the right rear middle door sill trim.



12. Remove the right rear lower door sill trim.



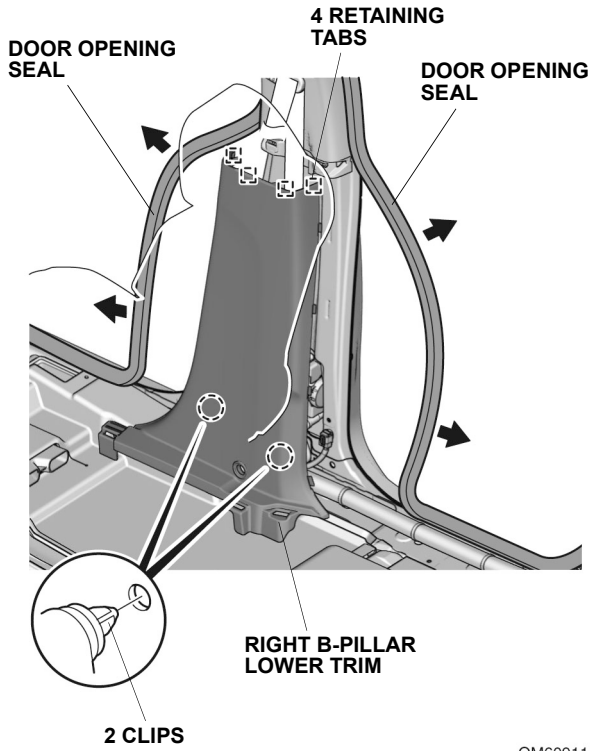
13. Remove the passenger's seat belt anchor bolt.





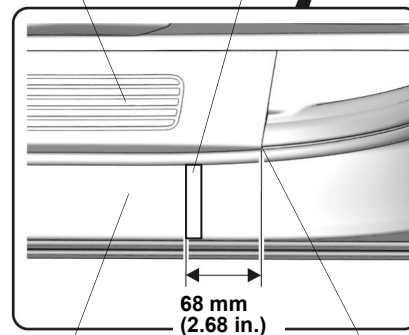
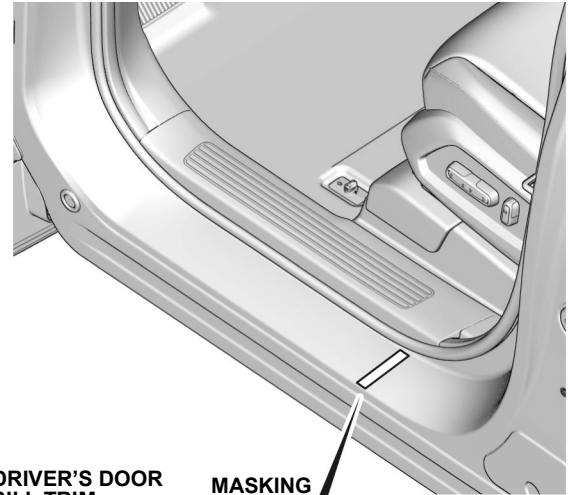
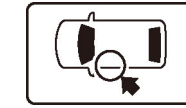
# Germain Honda of College Hills

14. Remove the right B-pillar lower trim.



QM60911AG

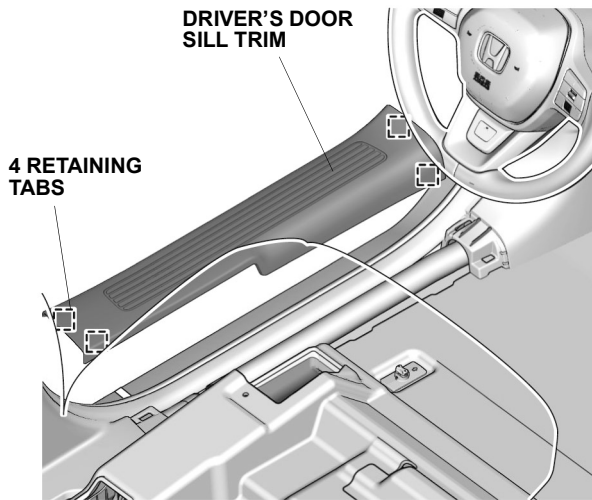
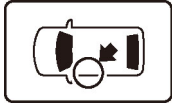
15. Attach masking tape.



QM60912AG

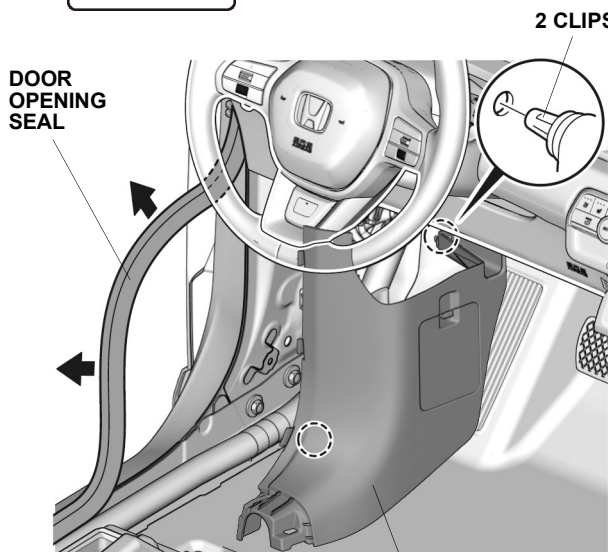
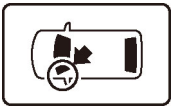
# Germain Honda of College Hills

16. Remove the driver's door sill trim.



QM60913AG

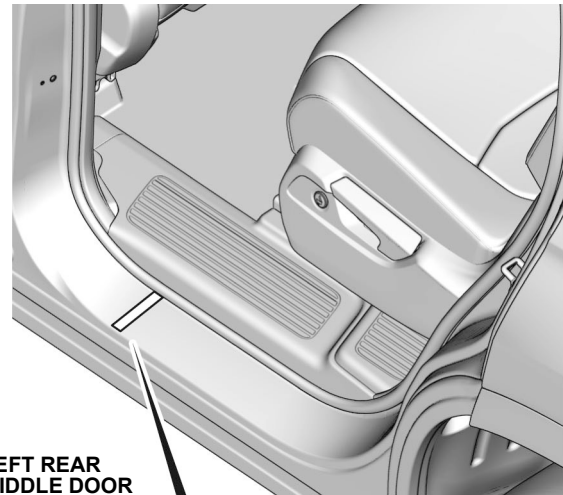
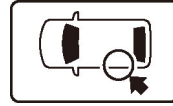
17. Remove the driver's kick panel.



DRIVER'S KICK PANEL

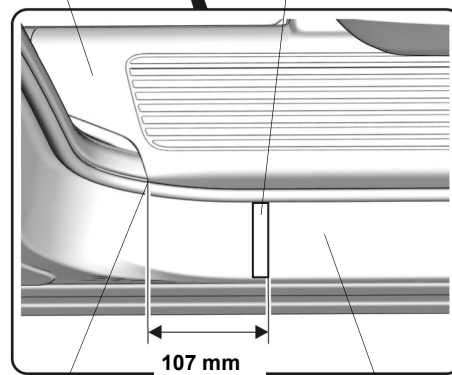
QM60914AG

18. Attach masking tape.



LEFT REAR MIDDLE DOOR SILL TRIM

MASKING TAPE



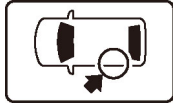
EDGE OF THE LEFT REAR MIDDLE DOOR SILL TRIM

VEHICLE PANEL

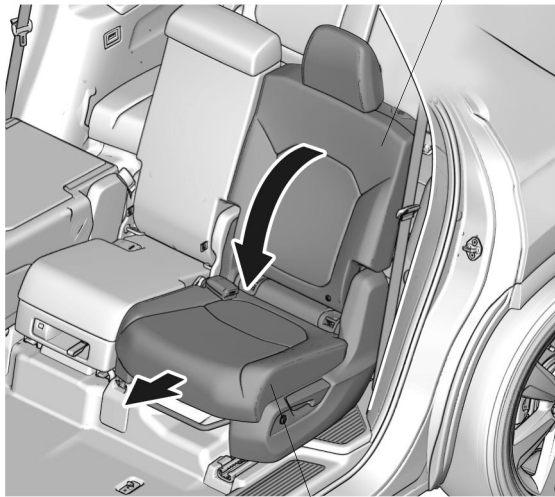
QM60915AG

# Germain Honda of College Hills

19. Fold down the left second row seat.



LEFT SECOND ROW SEAT

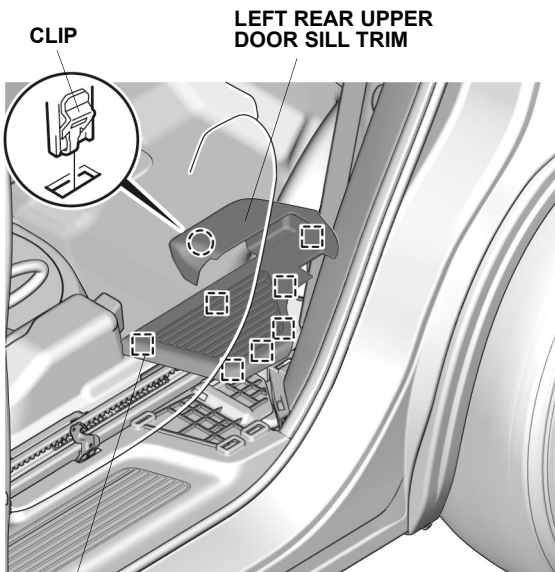


Move forward.

QM60916AG

20. Move the left second row seat.

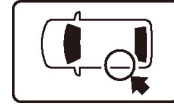
21. Remove the left rear upper door sill trim.



7 RETAINING TABS

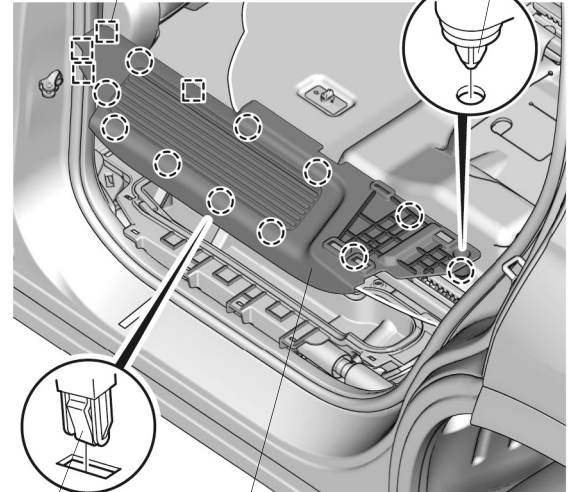
QM60917AG

22. Remove the left rear middle door sill trim.



4 RETAINING TABS

CLIP

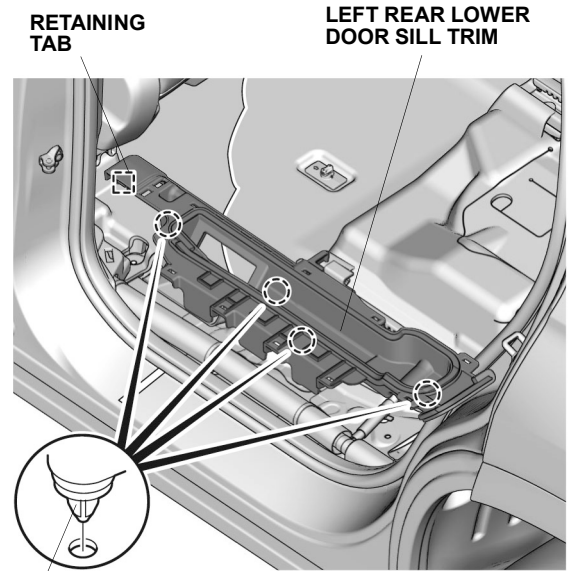


10 CLIPS

LEFT REAR MIDDLE DOOR SILL TRIM

QM60918AG

23. Remove the left rear lower door sill trim.



RETAINING TAB

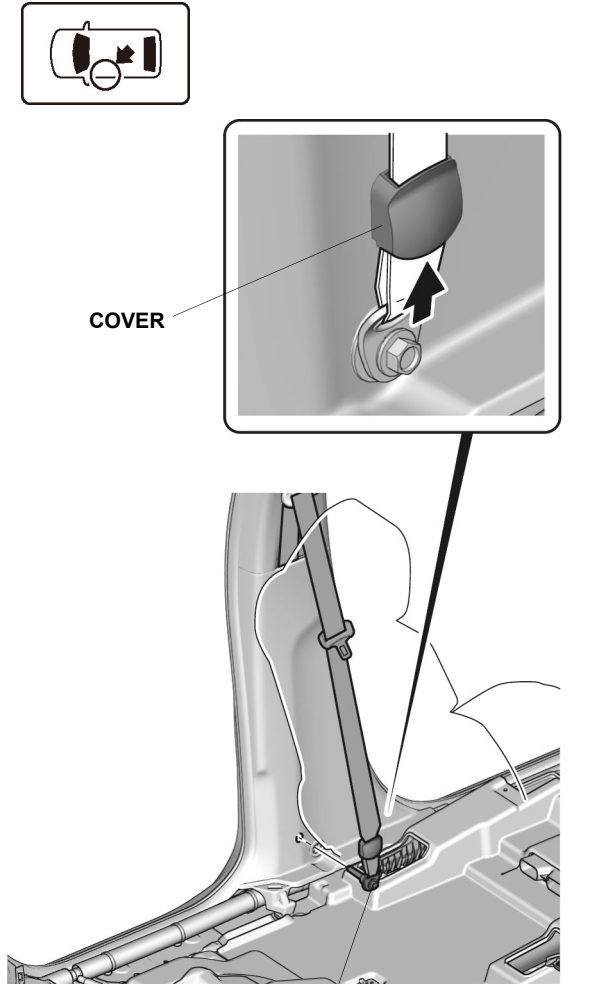
LEFT REAR LOWER DOOR SILL TRIM

4 CLIPS

QM60919AG

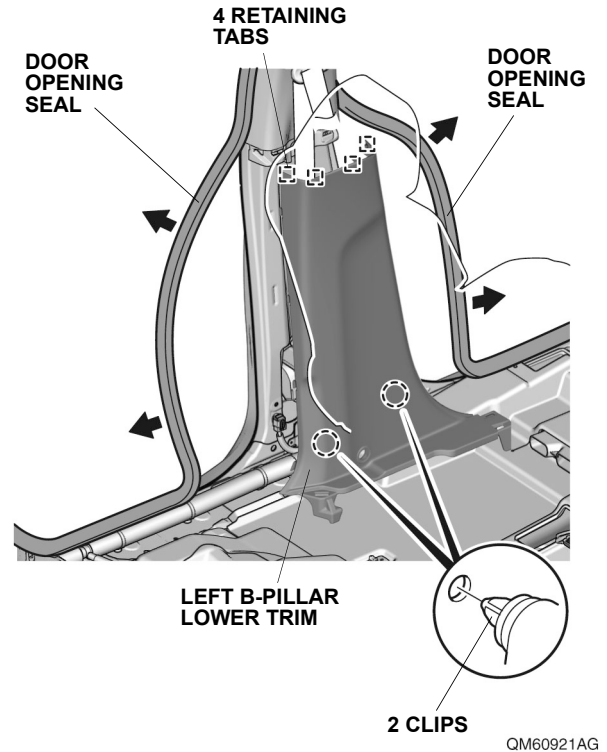
# Germain Honda of College Hills

24. Remove the driver's seat belt anchor bolt.

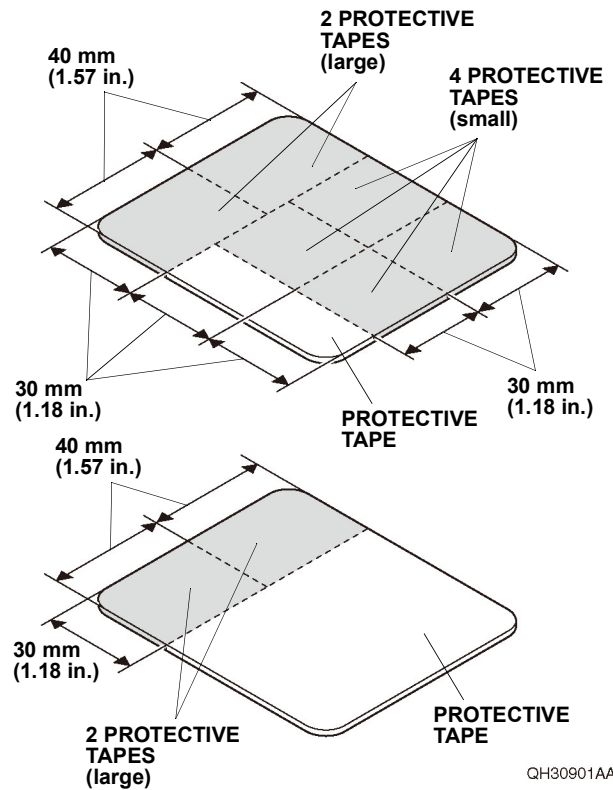


**lb-ft** 22-35 lb-ft  
(29.4-48.0 N·m)

25. Remove the left B-pillar lower trim.



26. Cut the protective tapes.

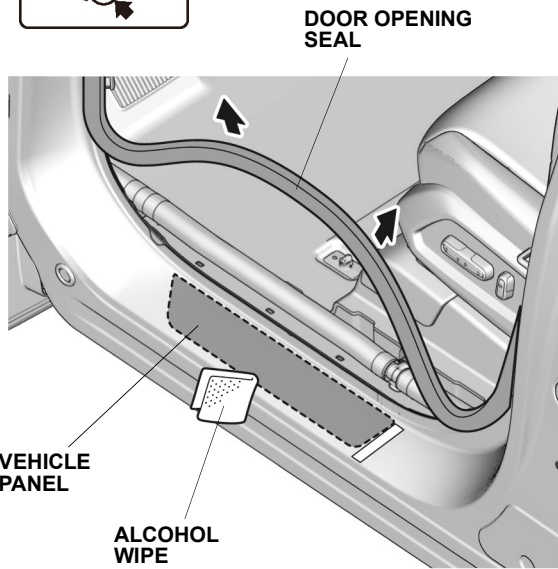
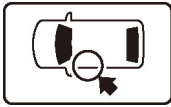


# Germain Honda of College Hills

27. Clean the attaching area.

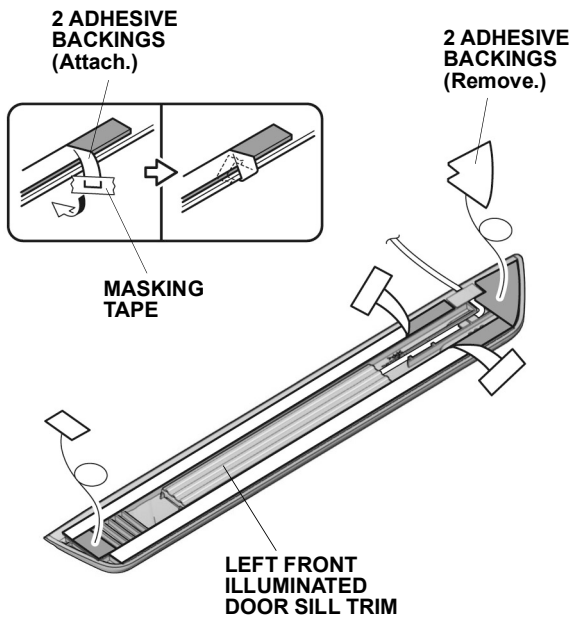
## NOTE

Allow to dry thoroughly.



QM61001AG

28. Temporarily attach the adhesive backings.



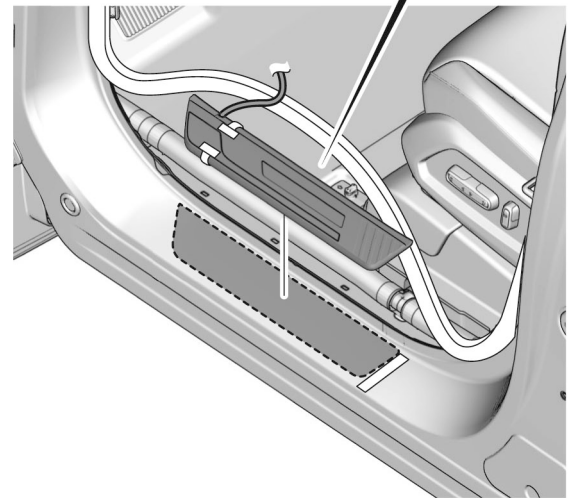
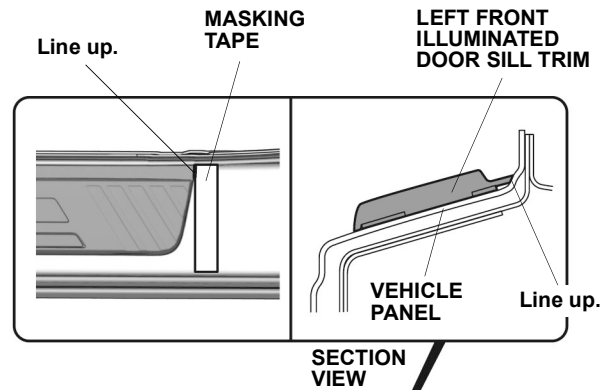
QM61002AG

29. Remove the adhesive backings.

30. Line up the left front illuminated door sill trim.

## NOTE

Check the installation position of the front illuminated door sill trim.



QM61003AG

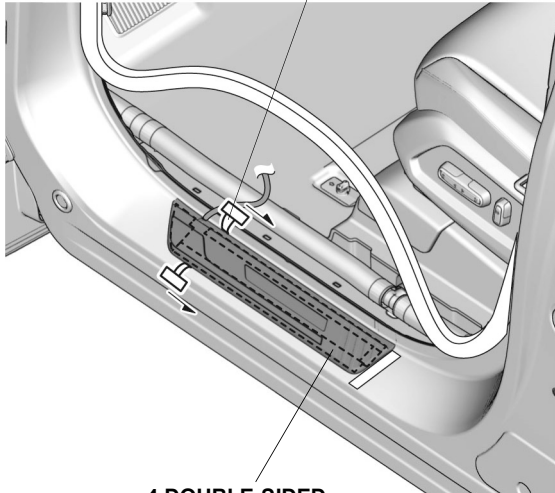
# Germain Honda of College Hills

31. Secure the left front illuminated door sill trim.

## NOTE

Check the position of the double-sided adhesive tapes and make sure to press firmly.

2 ADHESIVE BACKINGS (Remove.)



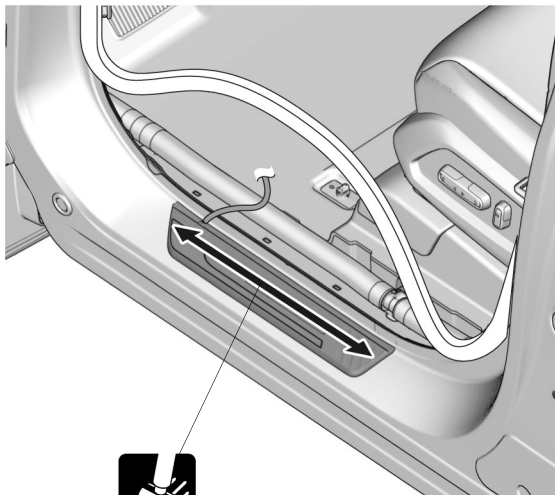
4 DOUBLE-SIDED ADHESIVE TAPES



QM61004AG

32. Remove the masking tape.

33. Secure the left front illuminated door sill trim.



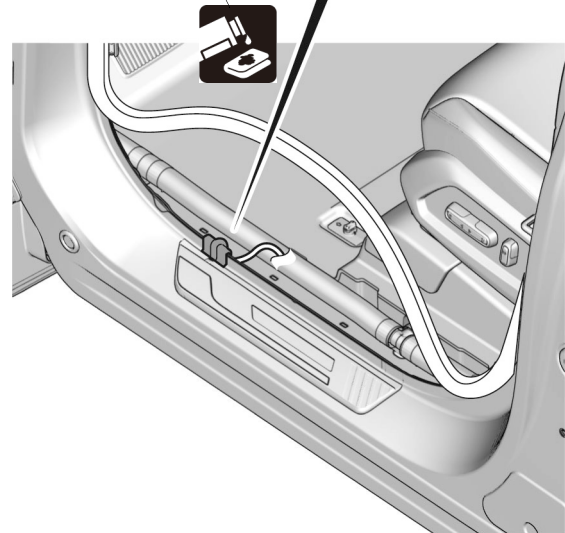
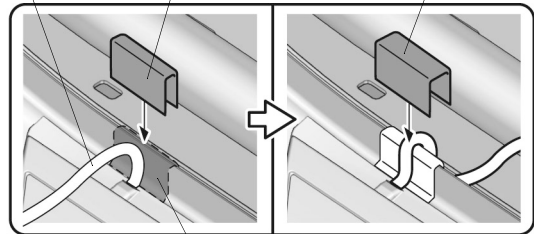
QM61005AG

34. Secure the left front illuminated door sill trim harness.

LEFT FRONT ILLUMINATED DOOR SILL TRIM HARNESS

PROTECTIVE TAPE (small)

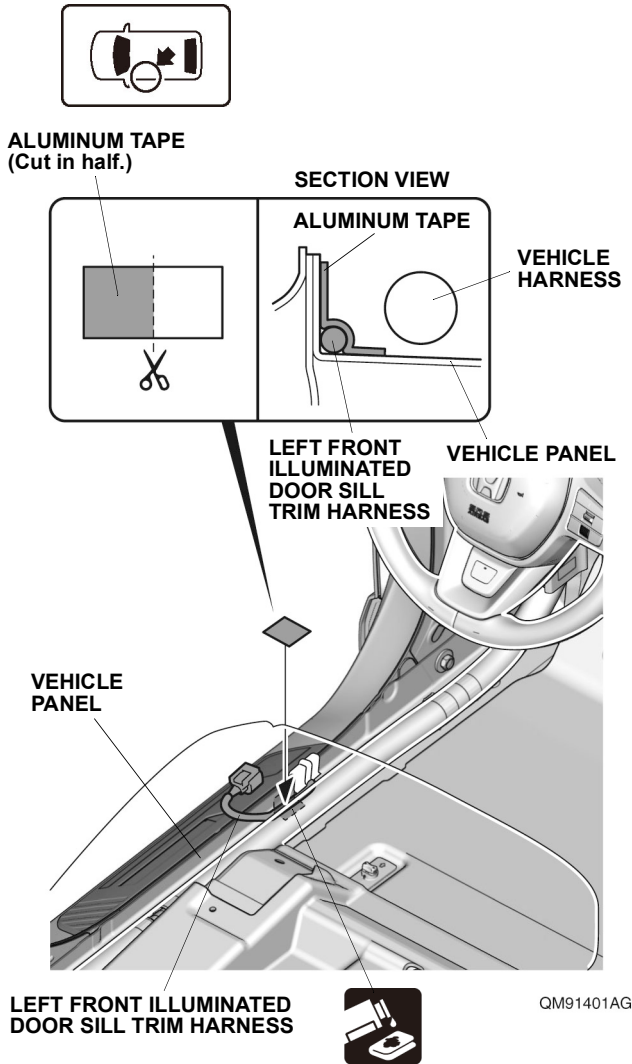
PROTECTIVE TAPE (large)



QM61006AG

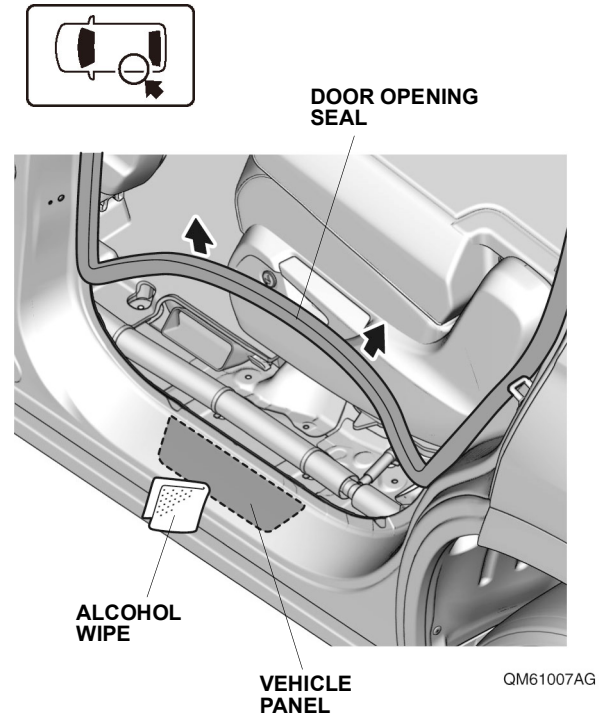
# Germain Honda of College Hills

35. Secure the left front illuminated door sill trim harness.

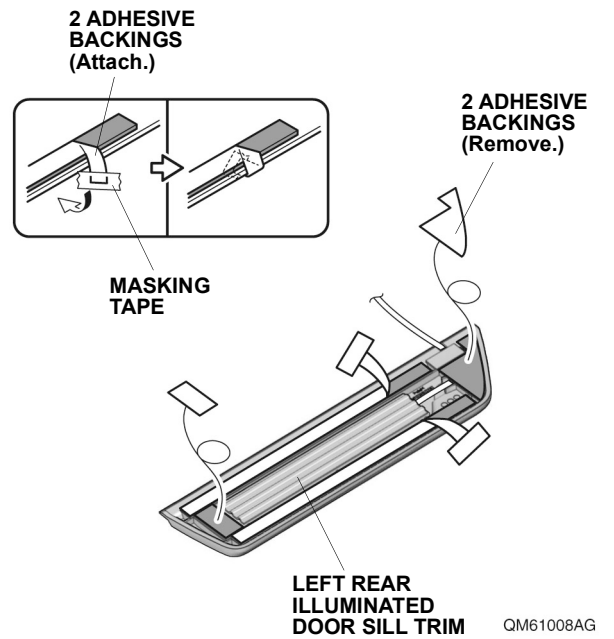


36. Clean the attaching area.

<b>NOTE</b>
Allow to dry thoroughly.



37. Temporarily attach the adhesive backings.



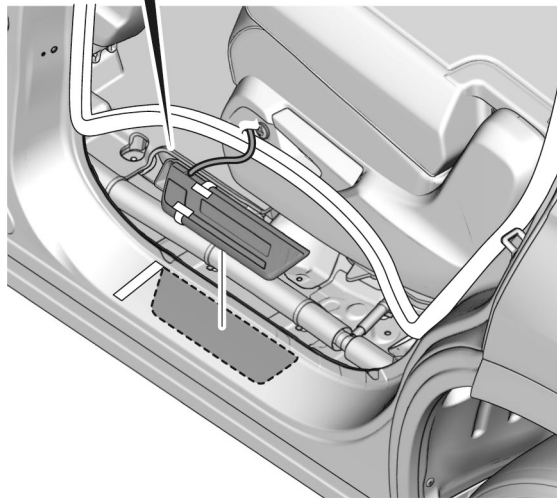
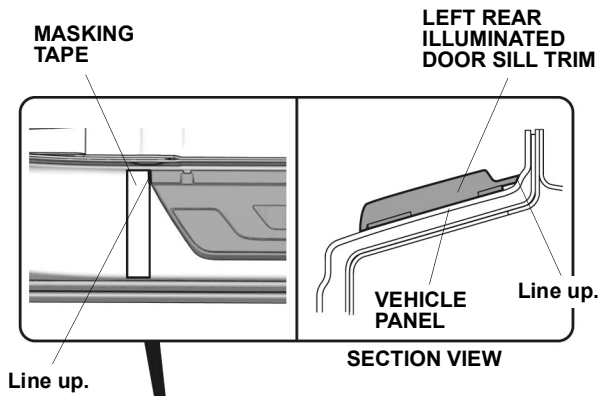
38. Remove the adhesive backings.

# Germain Honda of College Hills

39. Line up the left rear illuminated door sill trim.

## NOTE

Check the installation position of the rear illuminated door sill trim.

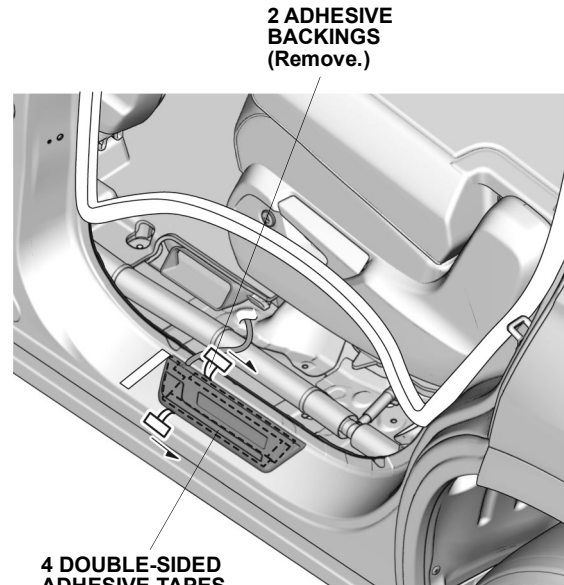


QM61009AG

40. Secure the left rear illuminated door sill trim.

## NOTE

Check the position of the double-sided adhesive tapes and make sure to press firmly.



QM61010AG



41. Remove the masking tape.
42. Secure the left rear illuminated door sill trim.

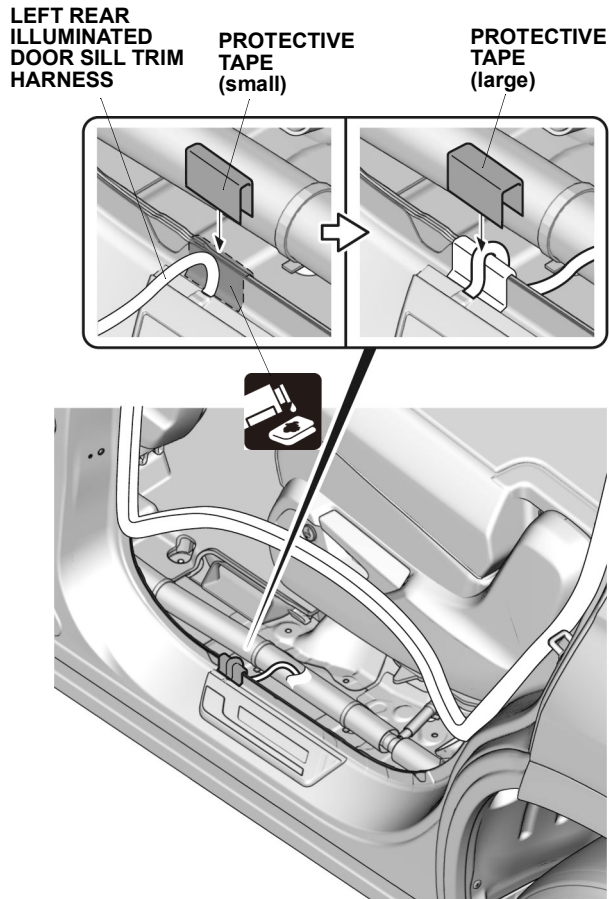


QM61011AG



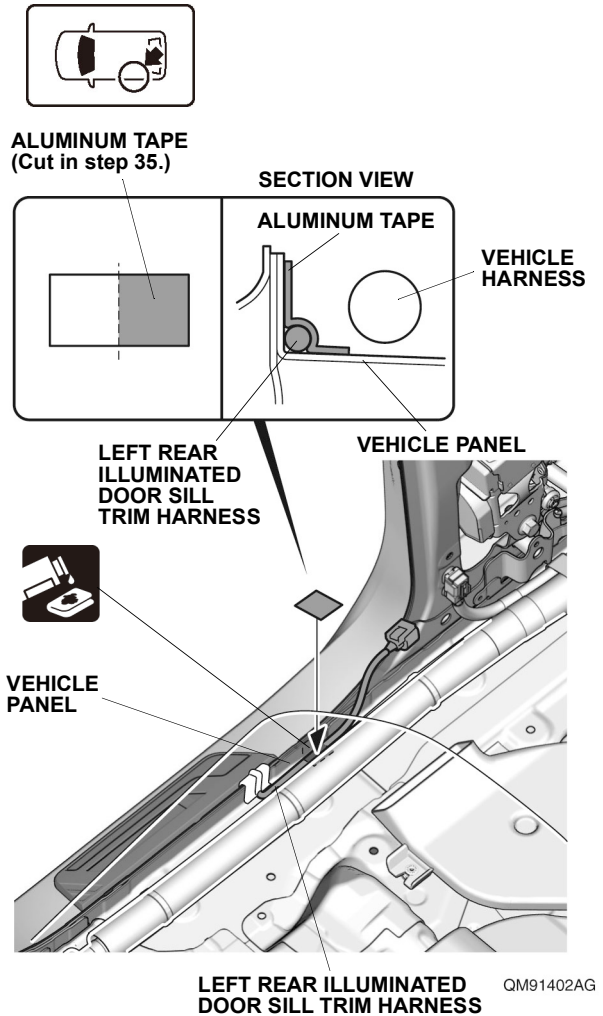
# Germain Honda of College Hills

43. Secure the left rear illuminated door sill trim harness.



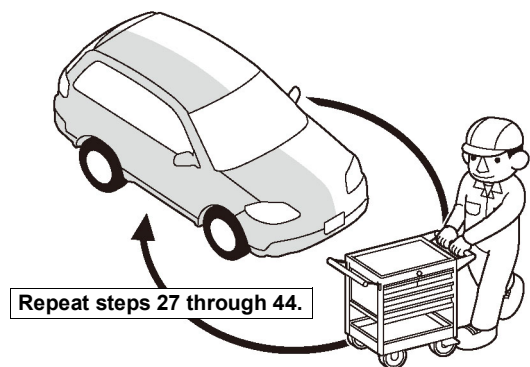
QM61012AG

44. Secure the left rear illuminated door sill trim harness.



QM91402AG

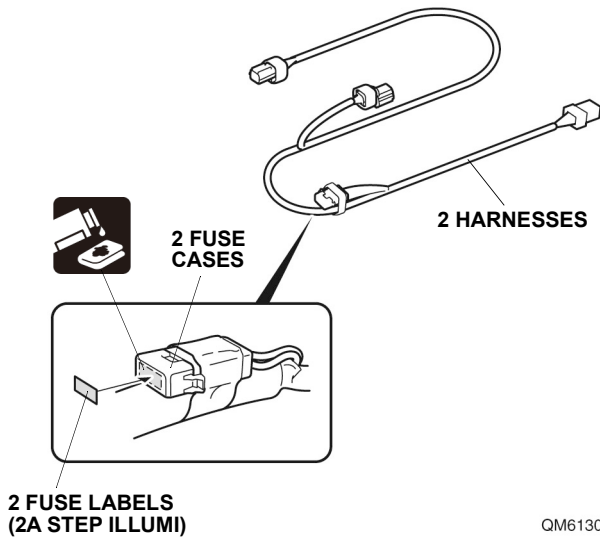
45. Repeat the same procedures on the other side.



Q9D1014AM

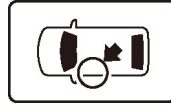
# Germain Honda of College Hills

46. Attach the fuse labels.

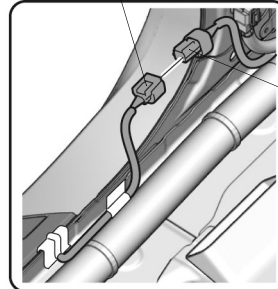


QM61301AG

47. Plug-in the harness connector.

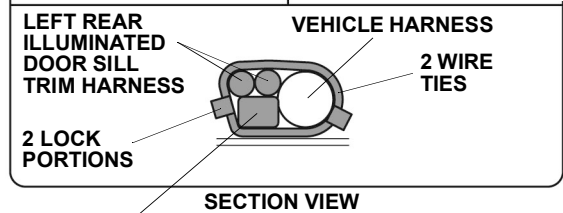
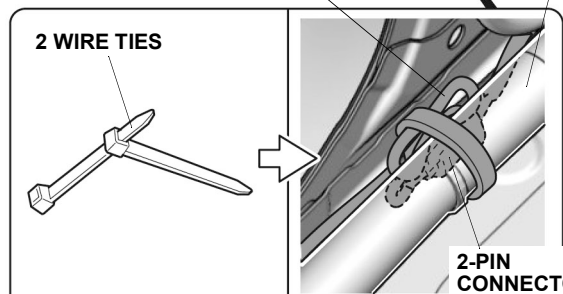
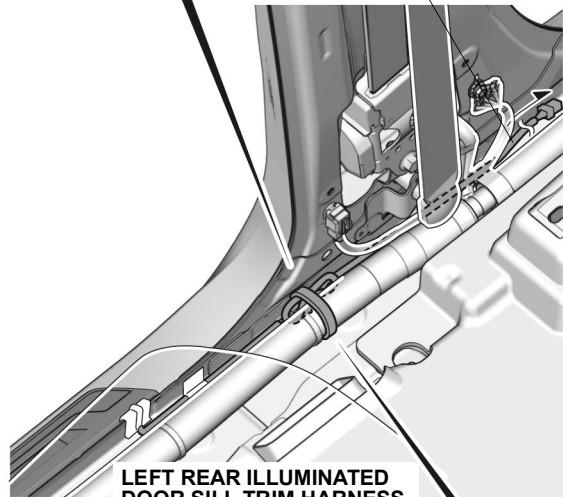


LEFT REAR ILLUMINATED  
DOOR SILL TRIM  
2-PIN CONNECTOR



HARNESS 2-PIN CONNECTOR

HARNESS



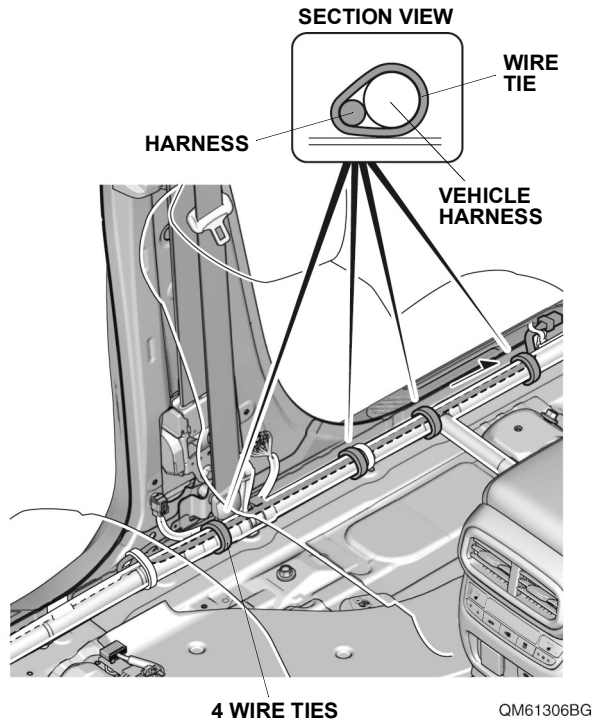
2-PIN CONNECTORS

QM61307BG

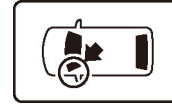
48. Secure the left rear illuminated door sill trim harness and connectors.

# Germain Honda of College Hills

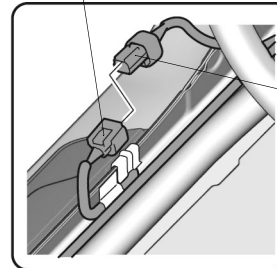
49. Secure the harness.



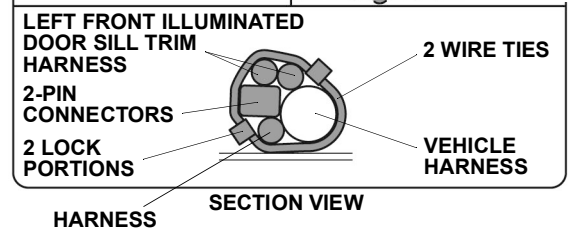
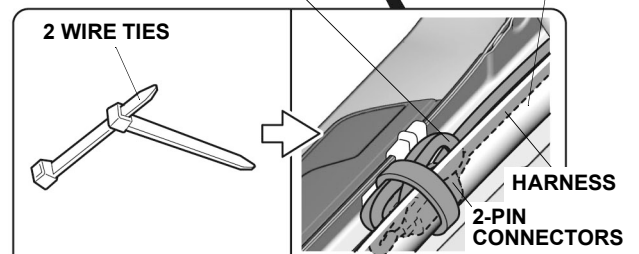
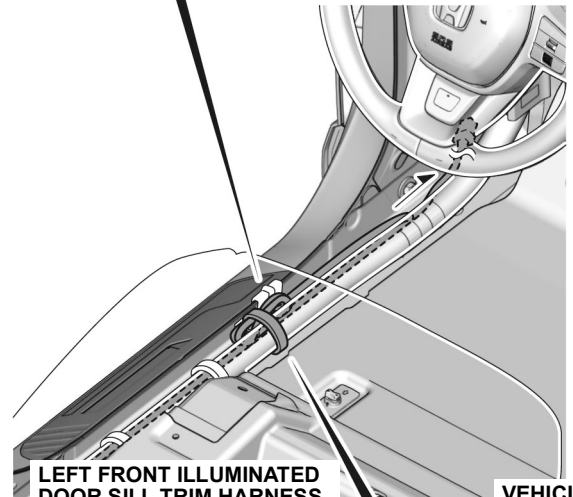
50. Plug-in the harness connector.



LEFT FRONT ILLUMINATED  
DOOR SILL TRIM  
2-PIN CONNECTOR



HARNESS 2-PIN  
CONNECTOR

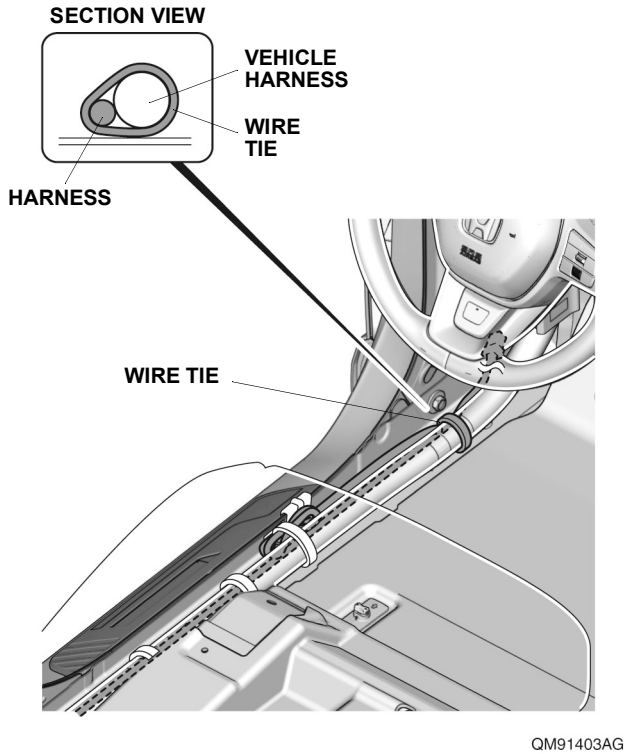


QM61305BG

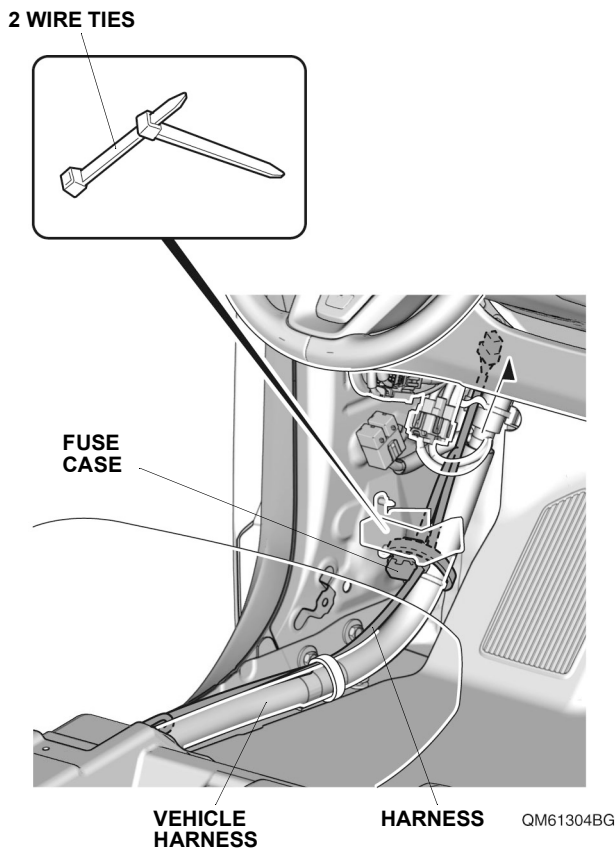
51. Secure the harness, left front illuminated door sill trim harness, and connectors.

# Germain Honda of College Hills

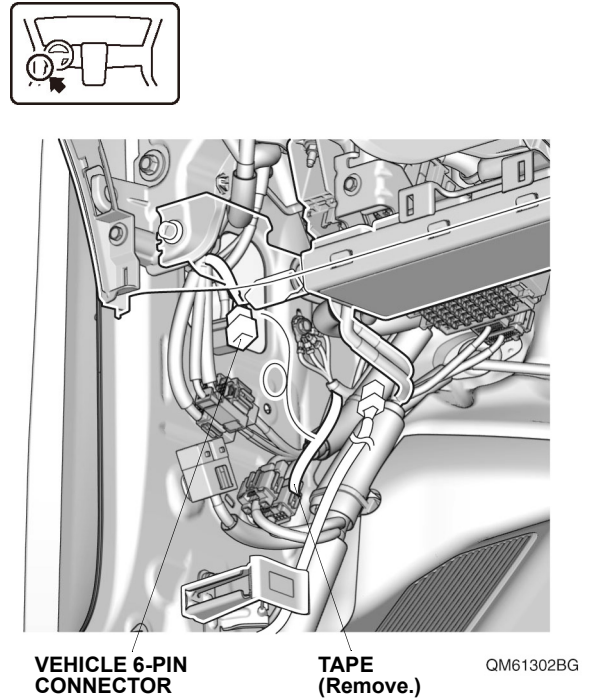
52. Secure the harness.



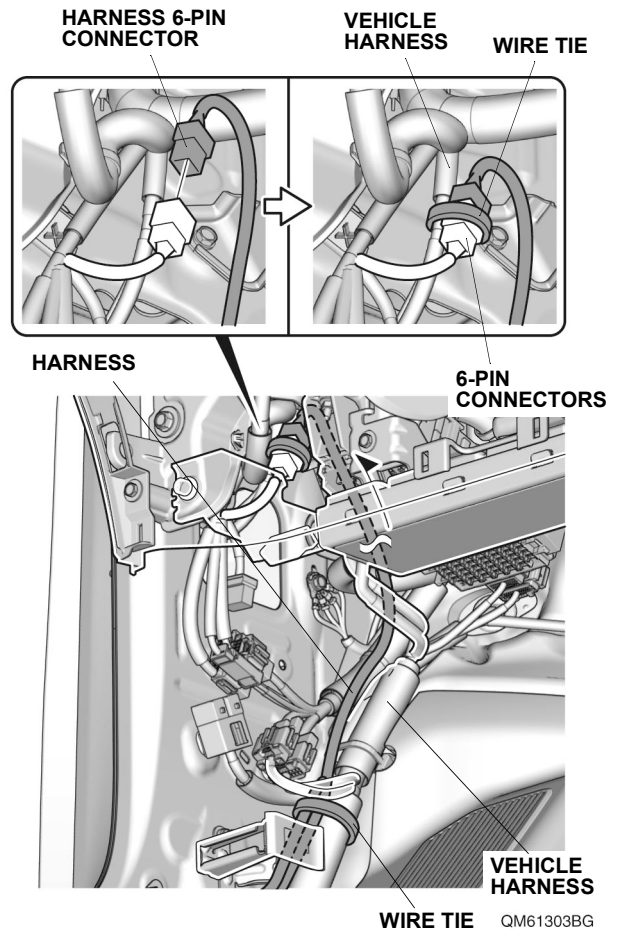
53. Secure the harness and fuse case.



54. Release the vehicle connector.



55. Plug-in the harness connector.

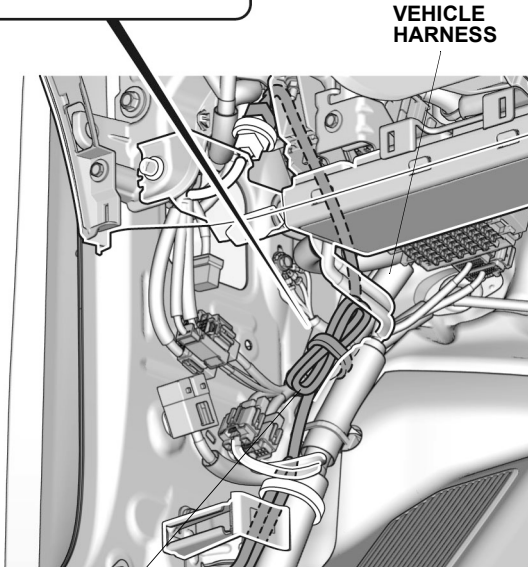
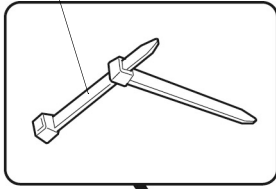


56. Secure the harness and connectors.

# Germain Honda of College Hills

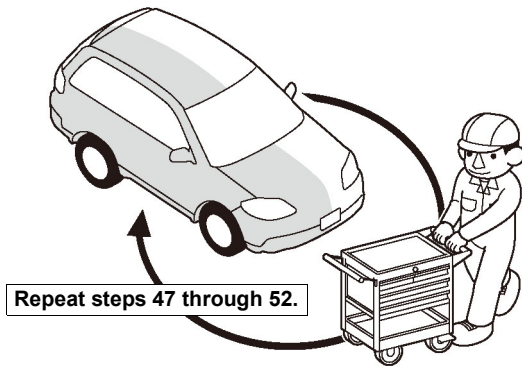
57. Secure the harness.

2 WIRE TIES



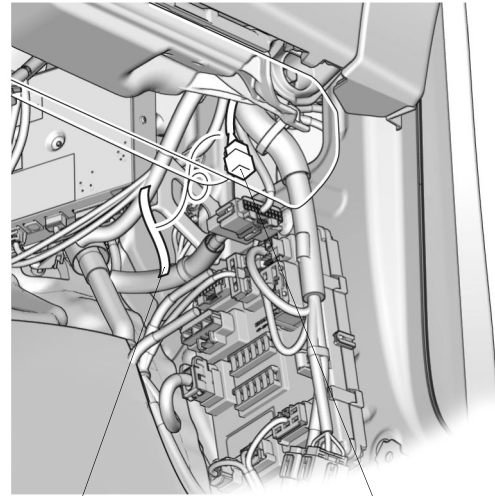
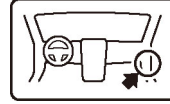
QM91404AG

58. Repeat the same procedures on the other side.



Q9D1014AM

59. Release the vehicle connector.

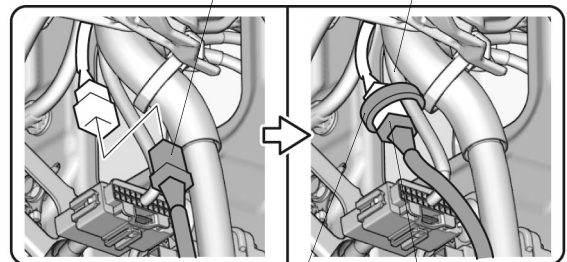


QM61308AG

60. Plug-in the harness connector.

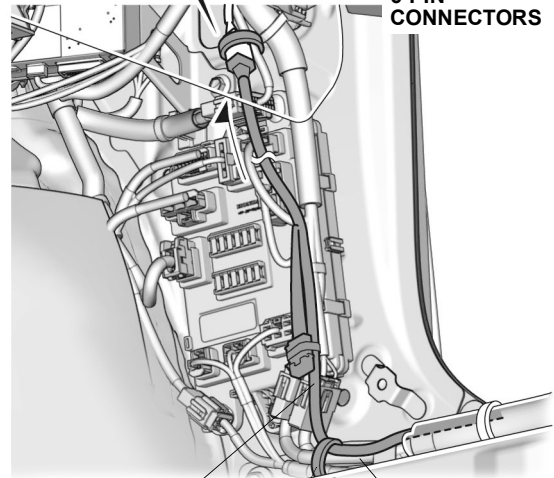
HARNESS 6-PIN CONNECTOR

VEHICLE HARNESS



WIRE TIE

6-PIN CONNECTORS

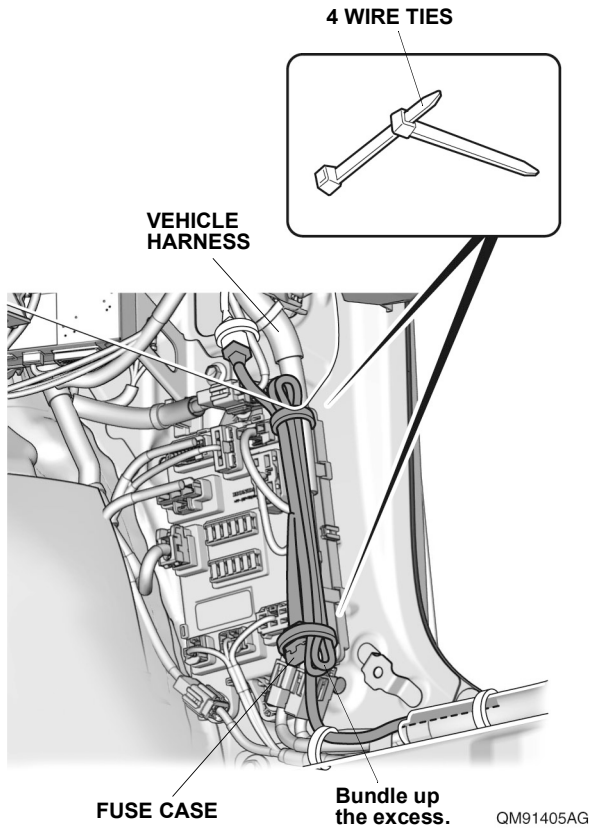


QM61309BG

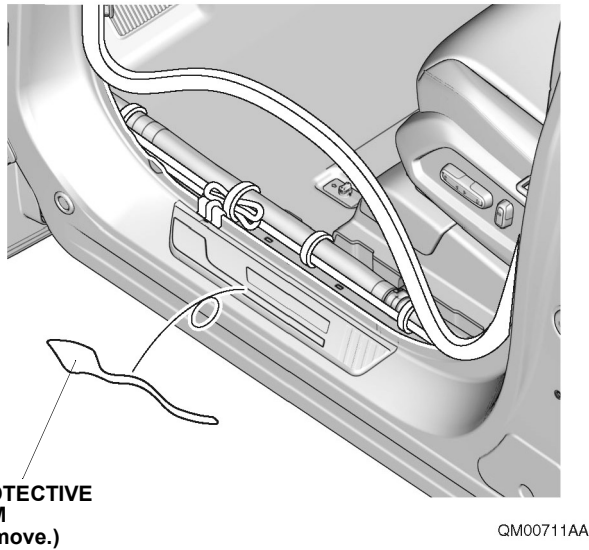
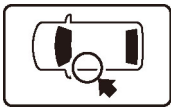
61. Secure the harness and connectors.

# Germain Honda of College Hills

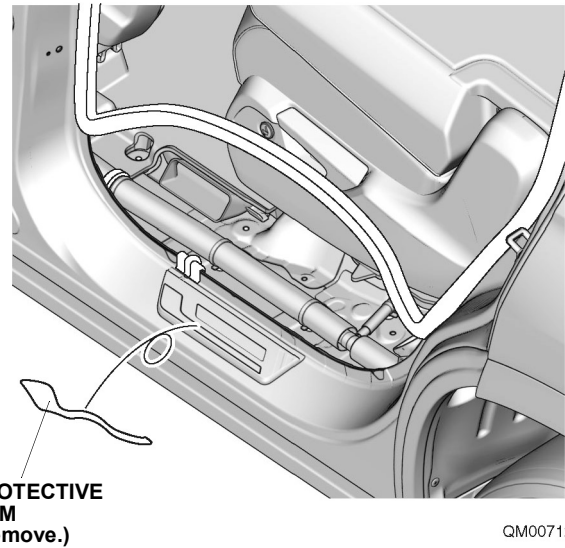
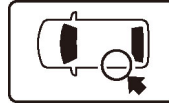
62. Secure the harness and fuse case.



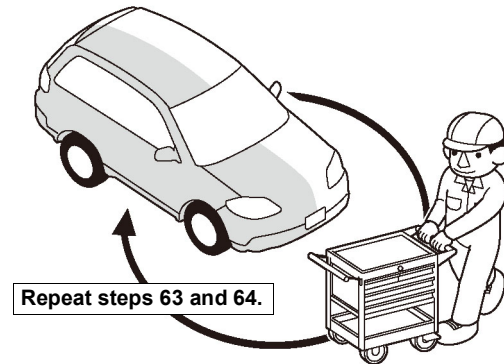
63. Remove the protective film.



64. Remove the protective film.



65. Repeat the same procedures on the other side.



# Germain Honda of College Hills

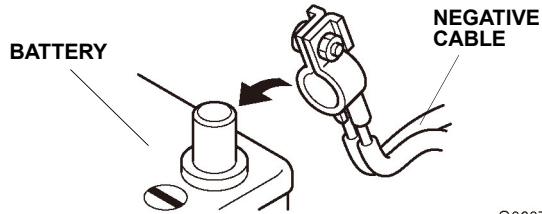
66. Check that all parts are installed and properly routed.

NOTE
<ul style="list-style-type: none"><li>• Check that all harnesses are not pulled or pinched.</li><li>• Make sure all clips and wire ties are securely installed.</li></ul>

- Check that all harnesses are not pulled or pinched.
- Make sure all clips and wire ties are securely installed.

67. Install all removed parts except for the resonator.

68. Connect the negative cable to the battery.



69. Install the resonator.

70. Check that the illuminated door sill trim comes on when opening the door.

71. Make sure all accessories and systems operate properly.

72. If necessary, restore the systems back to normal operation as described in the service information.

73. Press and hold the audio unit power button for 2 seconds to restore the audio and navi (if equipped) system functions.