

Germain Honda of College Hills



INSTALLATION INSTRUCTIONS

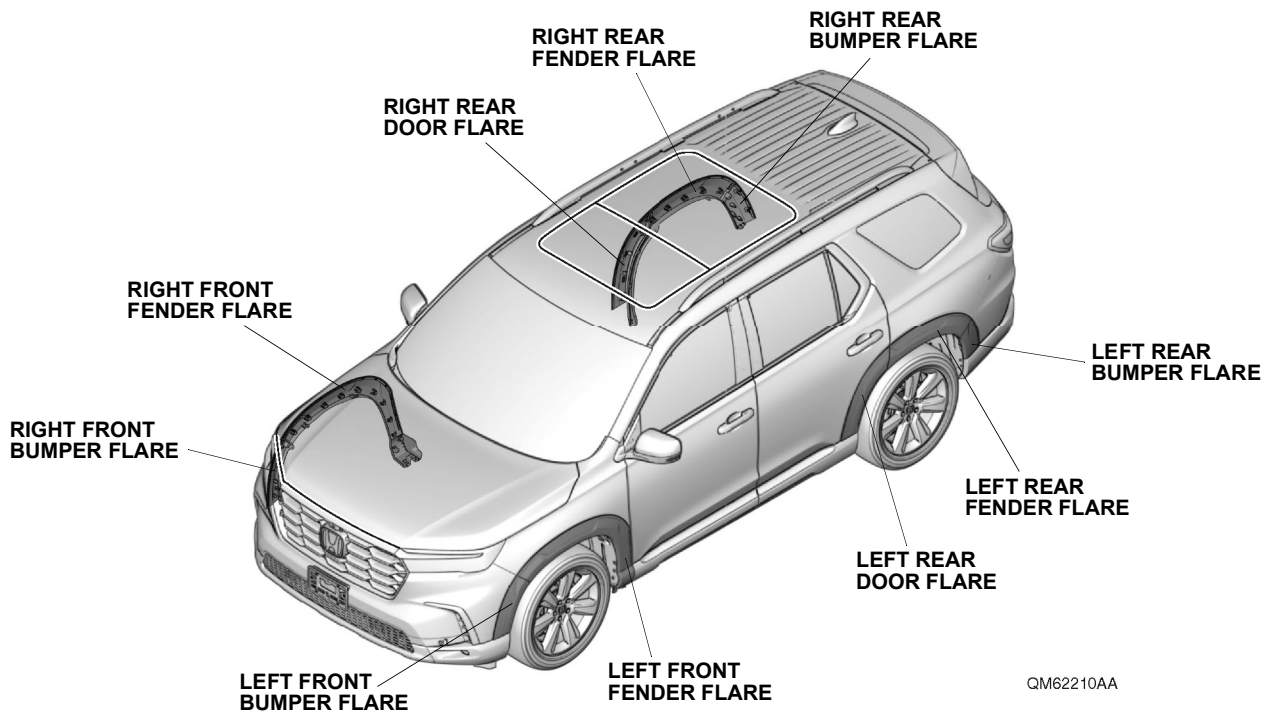
Accessory
FENDER FLARES

Application
2023 PILOT
MODEL SERIES

Publications No.
VERSION 1
Issue Date
NOV 2022

GENERAL VIEW

If you are also installing trailer hitch harness and trailer hitch, install them before you install the fender flares.



FOR YOUR SAFETY (Read carefully.)

Warning Symbols

Safety: Your safety, and the safety of others, is important. To help you make informed decisions about service procedures, we have provided safety messages where appropriate. Of course, it is not practical or possible to warn you about all the hazards associated with servicing a vehicle - you must use your own good judgment.

You will find important safety messages preceded by one of the following symbols:

*All symbols are not used in all installation instructions.

⚠ DANGER

You will be killed or seriously hurt if you do not follow the instructions.

⚠ WARNING

You can be killed or seriously hurt if you do not follow the instructions.

⚠ CAUTION

You can be hurt if you do not follow the instructions.

NOTICE

Gives advice to prevent damage to the product, vehicle, the environment or other property.

NOTE

Gives helpful information or instructions to be followed when installing this product.



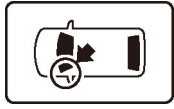
Indicates a prohibited action.

Germain Honda of College Hills

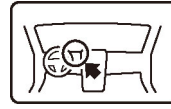
Procedure and Location Icons

These icons indicate the work location and the worker's point of view.

*All icons are not used in all installation instructions.



The location on the vehicle.



The location in the vehicle.
(Instrument panel.)



Wear eye protection.



Wear heavy gloves.



Use an assistant.



Place the part on a blanket.



Work perpendicular.



Remove any burrs.



Use touch-up paint and allow to dry.



Tighten to the specified torque.



Apply firm pressure while rolling, especially at the ends, to set the adhesive.



Press firmly.



Clean with isopropyl alcohol.



Return the original part to the customer.
(Do not reuse.)

Safety: General

- Observe all safety notes and precautions described in the service information, in addition to those described in this Installation Instruction. Be extremely careful for your safety and safety of others.
- Be careful not to damage the vehicle or the parts.
- Be extremely careful when handling retaining tabs and clips.
- Note the locations of the parts before removing them so they can be properly installed in their original positions.
- The illustrations may differ slightly from the actual accessory.

Safety: Accessory

- Always use the parts and tools specified in the installation instructions.
- Do not install the accessory on a dirty surface or in direct sunlight.
- Make sure the ambient air temperature is 60°F (15°C) or above when installing accessories that use adhesive material.
- When pressing the accessory firmly with the palm of your hand, be careful not to damage it or the vehicle.
- When applying adhesive material, make sure it is lined up properly before attaching. Once the adhesive material touches the surface, do not try to remove it. If you do, you could damage the part.
- Do not wash the vehicle for 24 hours to allow the adhesive to cure.

Germain Honda of College Hills








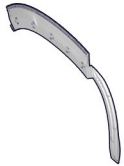





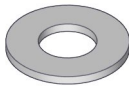
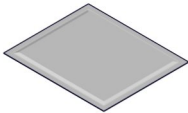
PARTS LIST

Fender Flares Kit

(P/N 08P21-T90-100)

(P/N 08P21-T90-P00)

(*: The part differs depending on the kit.)

Left front bumper flare 	Right front bumper flare 	Left front fender flare 	Right front fender flare 
Left rear door flare 	Right rear door flare 	Left rear fender flare 	Right rear fender flare 
Left rear bumper flare 	Right rear bumper flare 	Clips (8) 	Self-tapping screws (4) 
Spring nuts (2) 	Washers (2) 	*Alcohol wipes (10) (P/N 08P21-T90-100) 	

Germain Honda of College Hills

REQUIRED TOOLS AND SUPPLIES

- Phillips screwdriver
- Drill
- Masking tape
- 3 mm, 6 mm, 8 mm, and 10 mm Drill bits
- Stubby Phillips screwdriver
- File
- Ratchet
- Eye protection (face shield, safety goggles, etc.)
- Pushpin
- Utility knife
- 10 mm Socket

The following tools are available through the Honda Tool and Equipment Program:

- Trim Tool Set (T/N SOJATP2014)
- Rubber Roller (T/N MHLE54D)
- Plastic Trim Tool (T/N SILTRIMTL10)
- Air Saw (T/N AT192A)

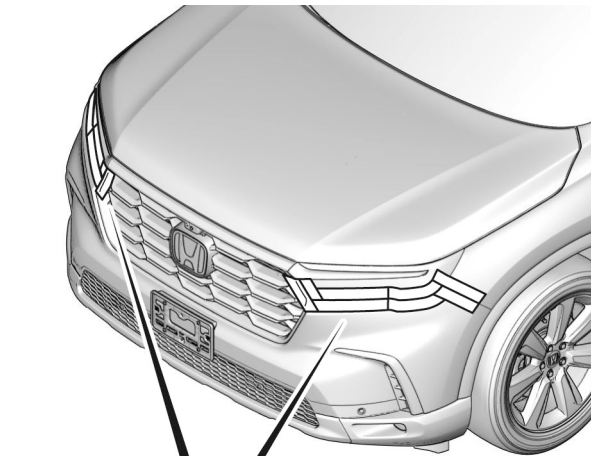
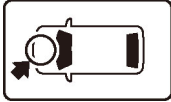
Germain Honda of College Hills

INSTALLATION

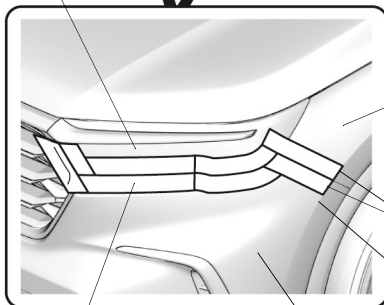
1. Attach masking tape to protect the vehicle.

NOTE

Do not remove the masking tape until after the parts are installed.



HEADLIGHT



FRONT FENDER

Line up with the character line.

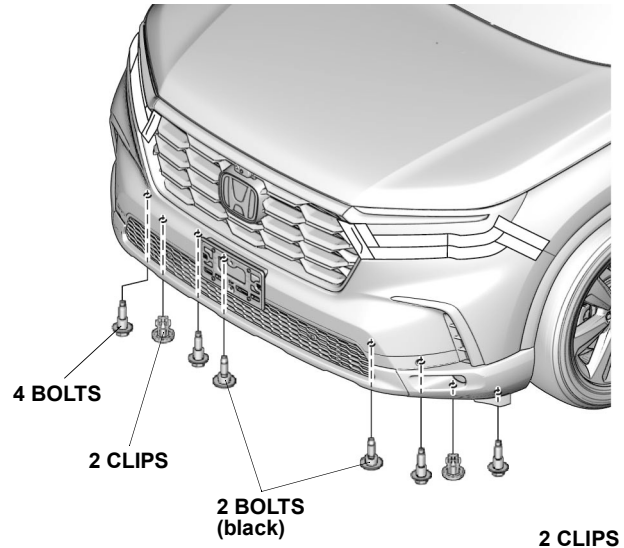
CHARACTER LINE

MASKING TAPE

FRONT BUMPER

QM90701AB

2. Remove the bolts and clips.

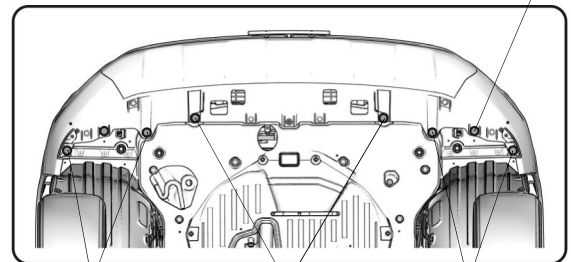


4 BOLTS

2 CLIPS

2 BOLTS (black)

2 CLIPS



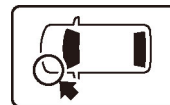
2 BOLTS

2 BOLTS (black)

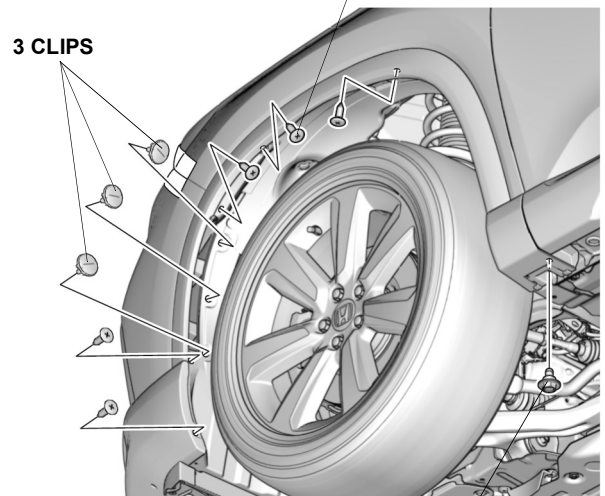
2 BOLTS

QM90702AB

3. Remove the bolt, self-tapping screws, and clips.



5 SELF-TAPPING SCREWS



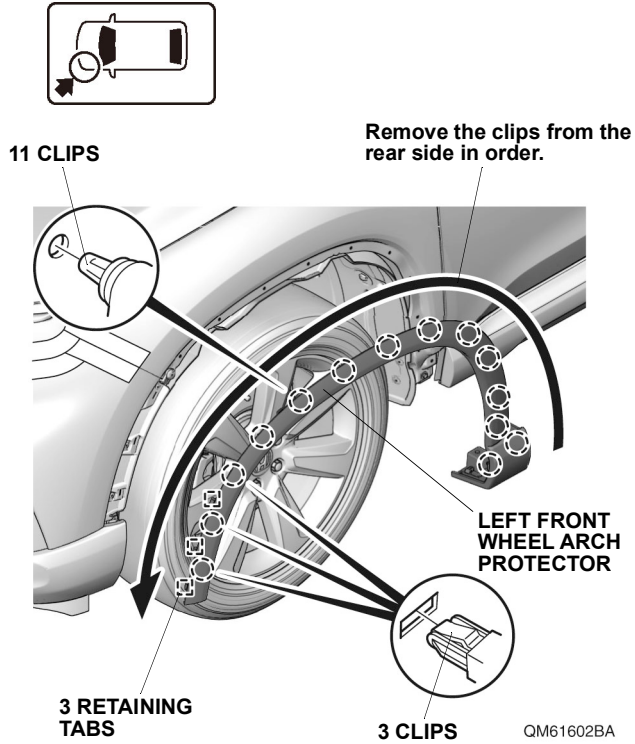
3 CLIPS

BOLT

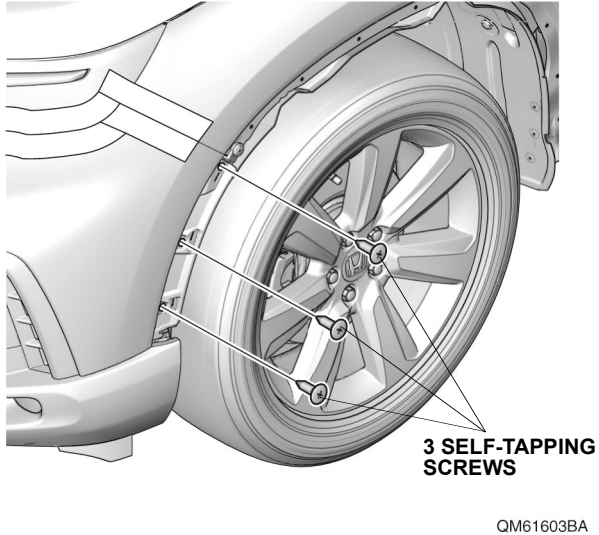
QM61601BA

Germain Honda of College Hills

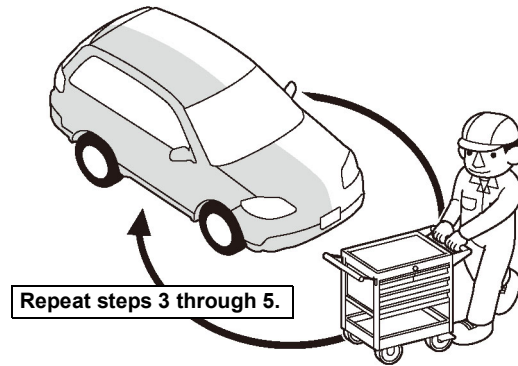
4. Remove the left front wheel arch protector.



5. Remove the self-tapping screws.



6. Repeat the same procedures on the other side.



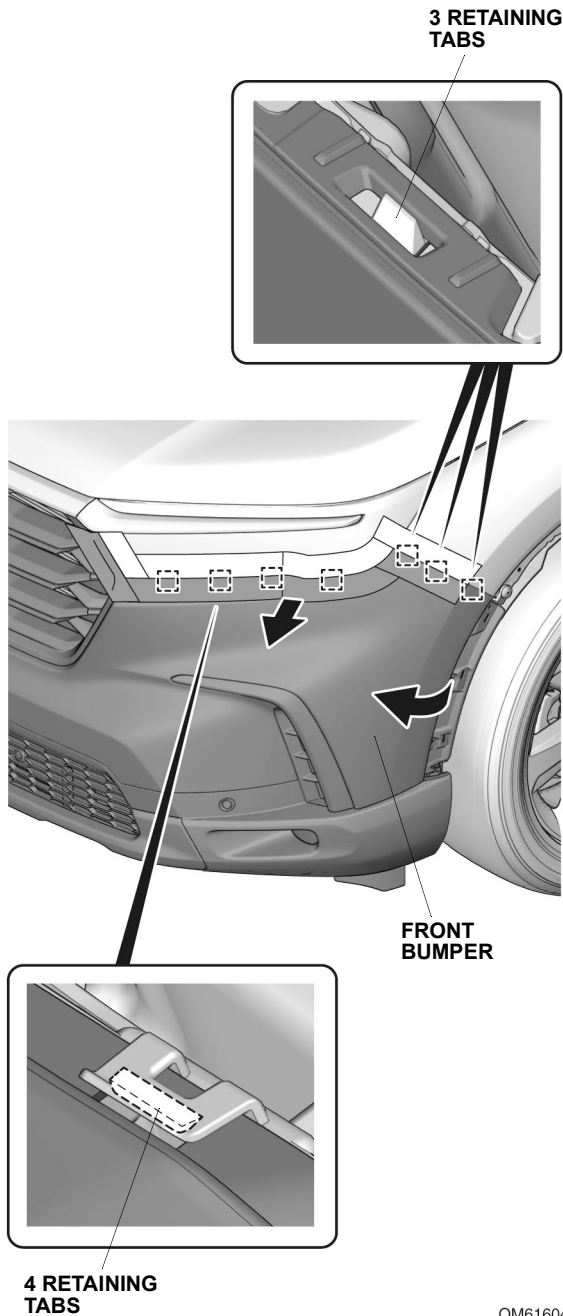
Q9D1014AM

Germain Honda of College Hills

7. Release the retaining tabs.

NOTE

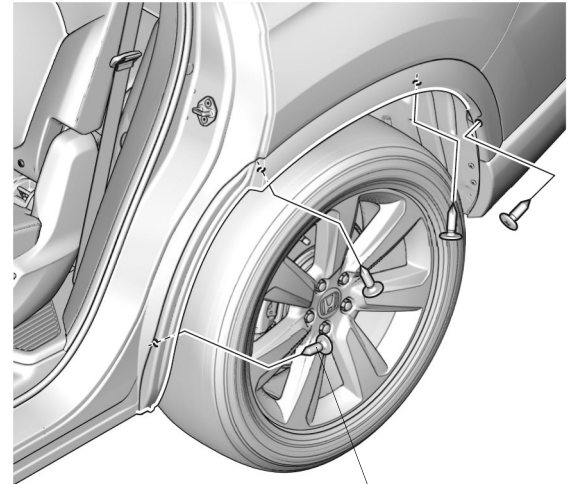
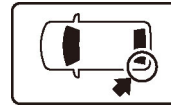
- Release the retaining tabs starting from outside working in.
- Make sure to release the retaining tabs in the correct orientation.



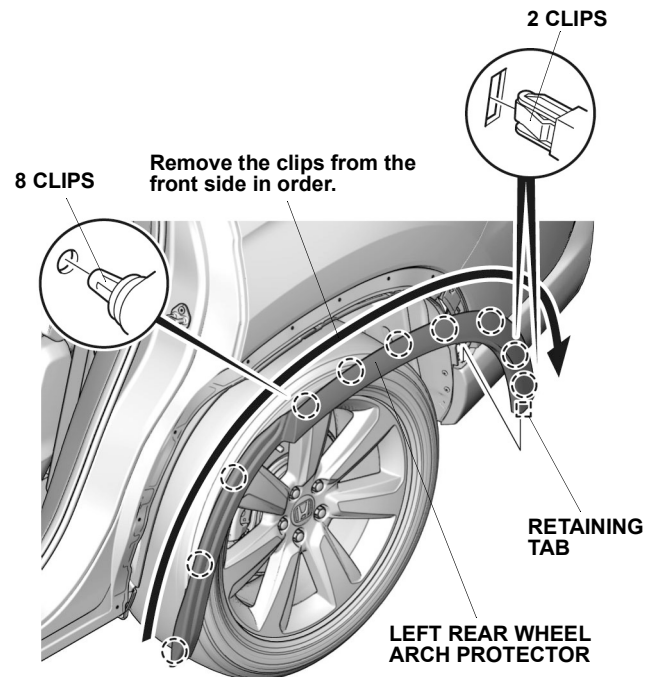
8. Repeat step 7 on the other side.

9. Open the left rear door.

10. Remove the self-tapping screws.

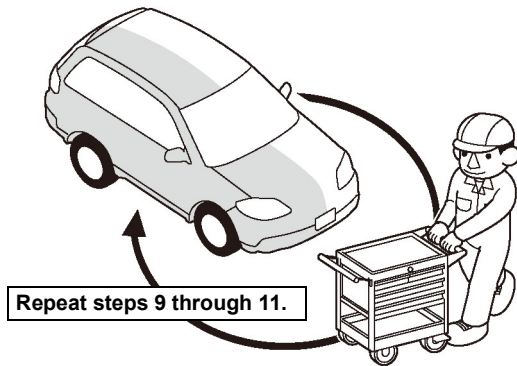


11. Remove the left rear wheel arch protector.



Germain Honda of College Hills

12. Repeat the same procedures on the other side.

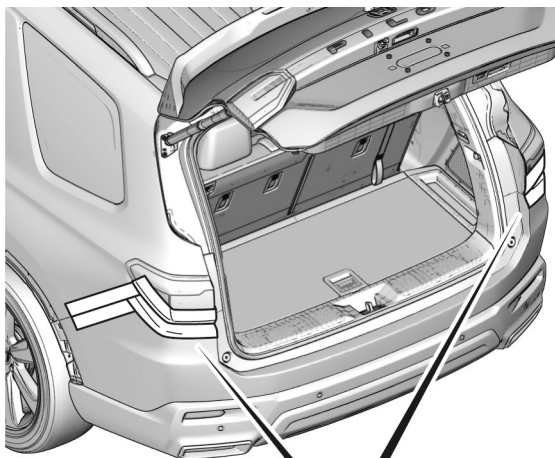
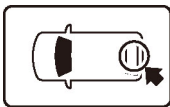


Q9D1014AM

13. Attach masking tape to protect the vehicle.

NOTE

Do not remove the masking tape until after the parts are installed.



TAILLIGHT

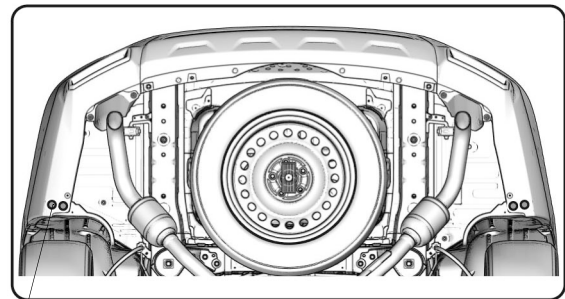
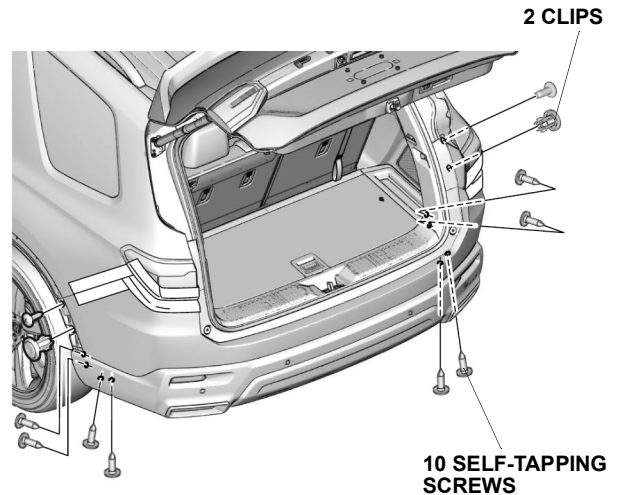
REAR FENDER

REAR BUMPER

MASKING TAPE

QM90703AB

14. Remove the clips and self-tapping screws.



4 SELF-TAPPING SCREWS

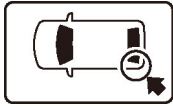
QM90704AB

Germain Honda of College Hills

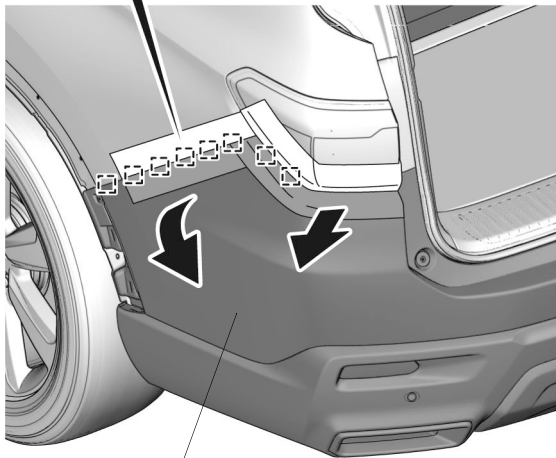
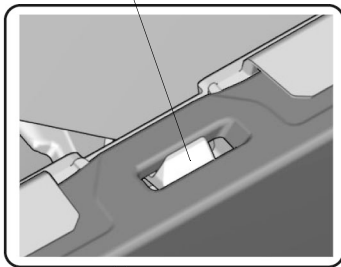
15. Release the retaining tabs.

NOTE

- Release the retaining tabs starting from outside working in.
- Make sure to release the retaining tabs in the correct orientation.



8 RETAINING
TABS

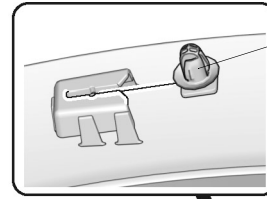


REAR BUMPER

QM90705AB

16. Repeat step 15 on the other side.

17. Remove the clips.



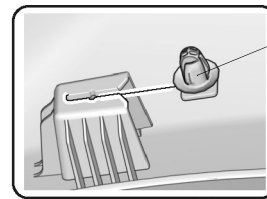
11 CLIPS

LEFT FRONT
WHEEL ARCH
PROTECTOR



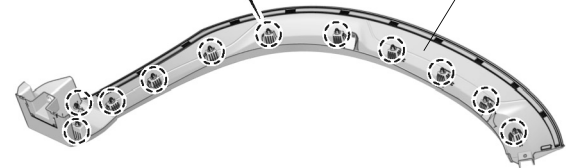
QM62001AA

18. Install the clips.



11 CLIPS
(Removed in
step 17.)

LEFT FRONT
FENDER FLARE



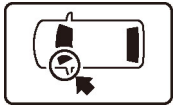
QM62002AA

Germain Honda of College Hills

19. Clean the attaching area.

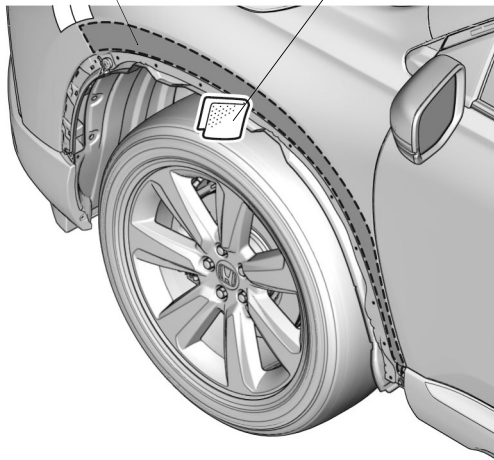
NOTE

Allow to dry thoroughly.



LEFT FRONT FENDER

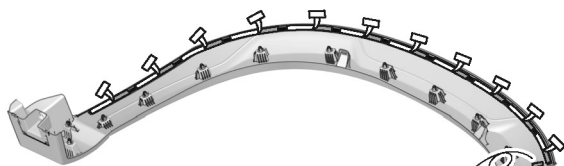
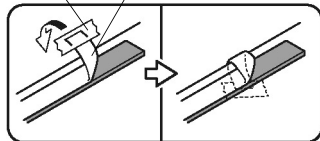
ALCOHOL WIPE



QM62003BA

20. Temporarily attach the adhesive backings.

MASKING TAPE
11 ADHESIVE BACKINGS (Attach.)

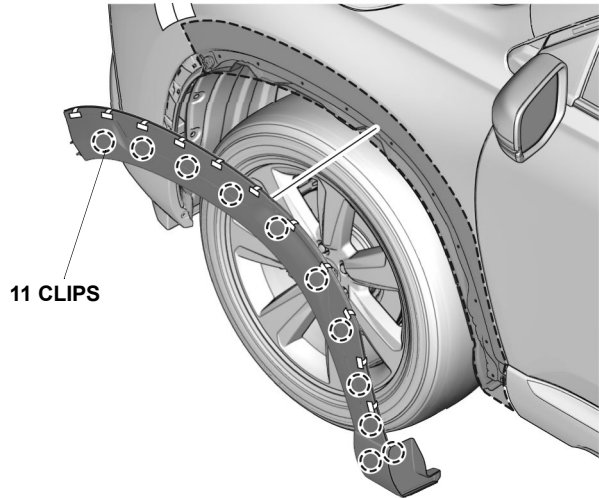


ADHESIVE BACKING (Remove.)

QM62004AA

21. Remove the adhesive backing.

22. Install the left front fender flare.



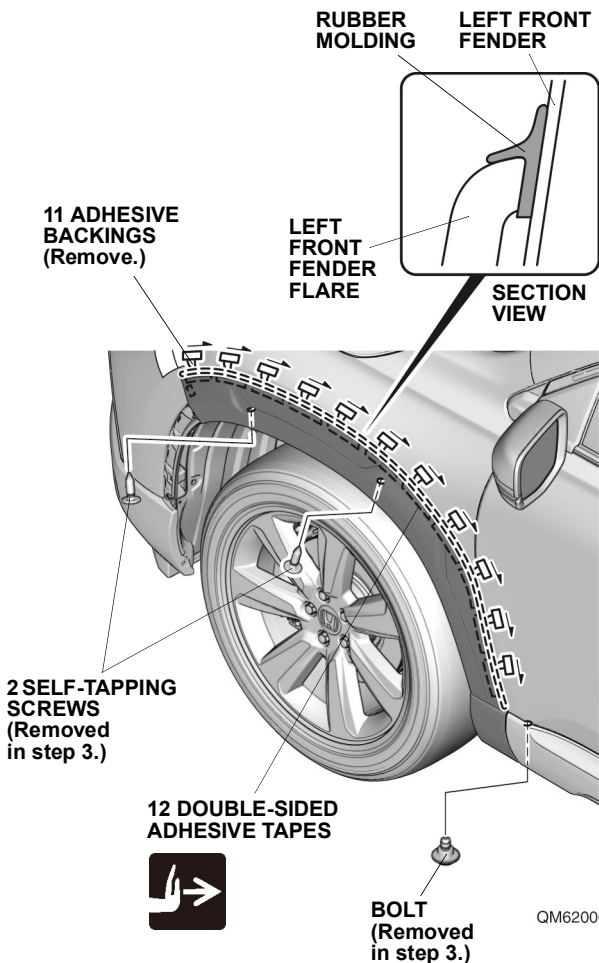
11 CLIPS

QM62005BA

23. Secure the left front fender flare.

NOTE

Check the position of the double-sided adhesive tapes and make sure to press firmly.



RUBBER MOLDING

LEFT FRONT FENDER

11 ADHESIVE BACKINGS (Remove.)

LEFT FRONT FENDER FLARE

SECTION VIEW

2 SELF-TAPPING SCREWS (Removed in step 3.)

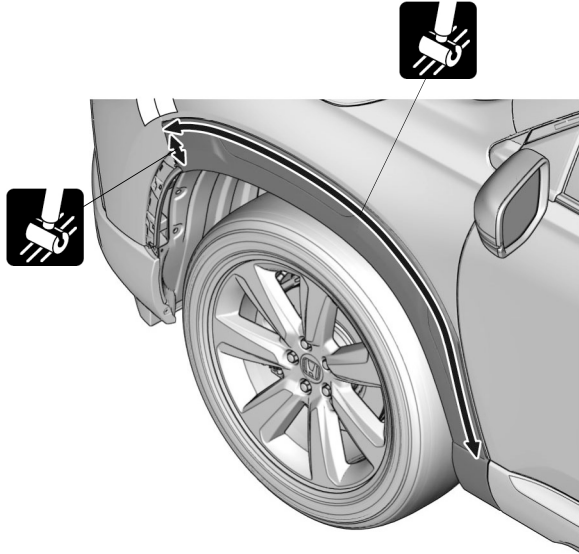
12 DOUBLE-SIDED ADHESIVE TAPES

BOLT (Removed in step 3.)

QM62006BA

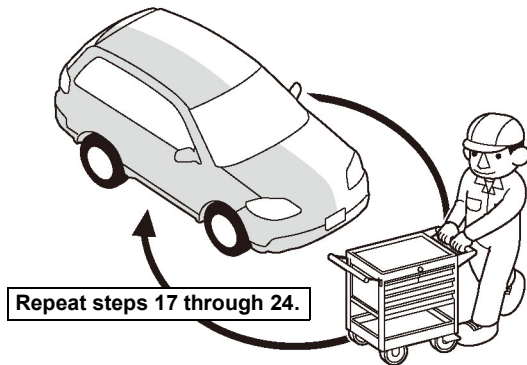
Germain Honda of College Hills

24. Secure the left front fender flare.



QM62007BA

25. Repeat the same procedures on the other side.



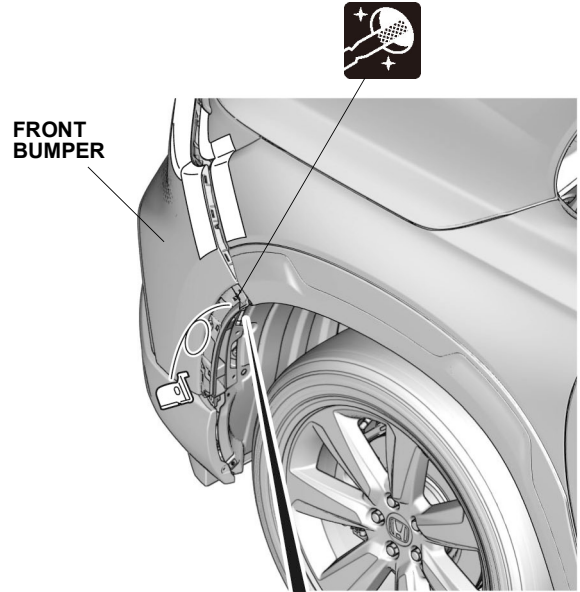
Repeat steps 17 through 24.

Q9D1014AM

26. Cut the front bumper.



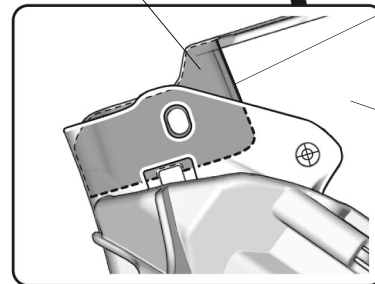
LEFT SIDE OF THE VEHICLE



FRONT BUMPER

CUTTING AREA

SCRIBE LINE



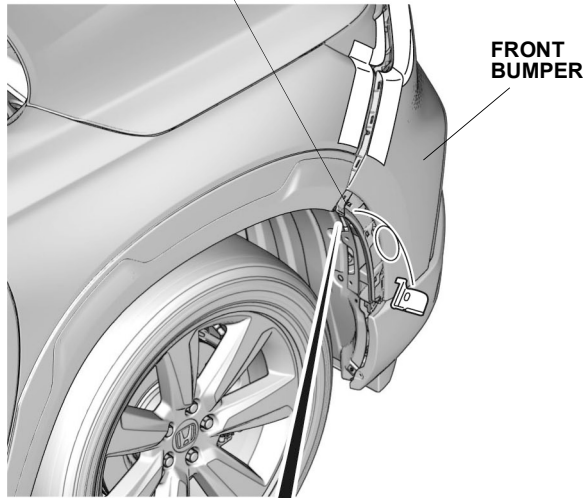
FRONT BUMPER (inside)

OPPOSITE SIDE VIEW

QM91502AB

Germain Honda of College Hills

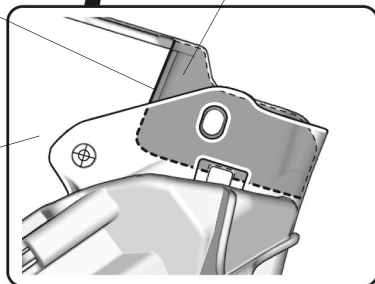
RIGHT SIDE OF THE VEHICLE



CUTTING AREA

SCRIBE LINE

FRONT BUMPER (inside)



OPPOSITE SIDE VIEW

QM91503AB

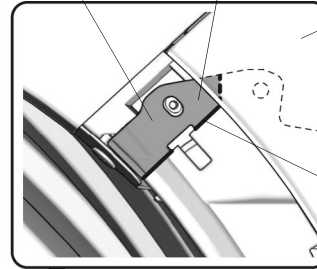
27. Cut the air duct.



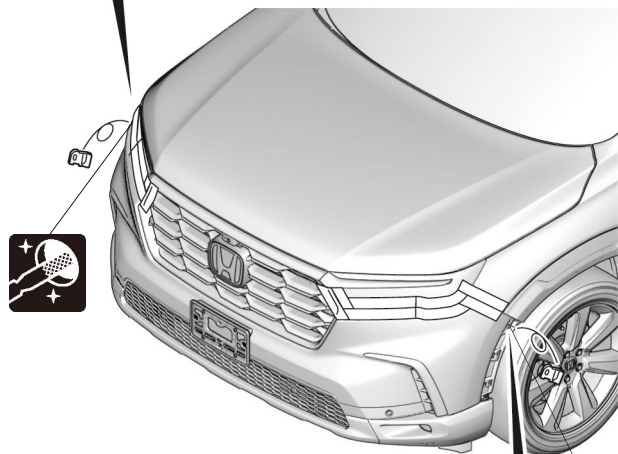
CUTTING AREA

AIR DUCT

FRONT BUMPER

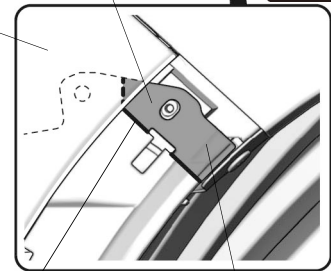


SCRIBE LINE



CUTTING AREA

FRONT BUMPER



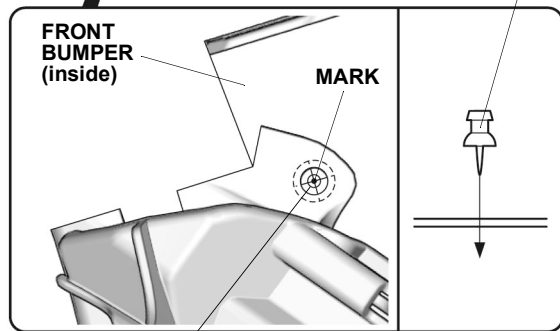
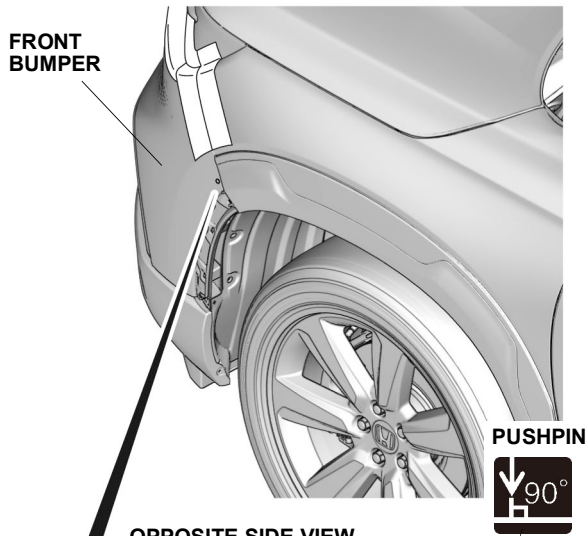
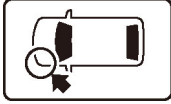
SCRIBE LINE

AIR DUCT

QM90708BB

Germain Honda of College Hills

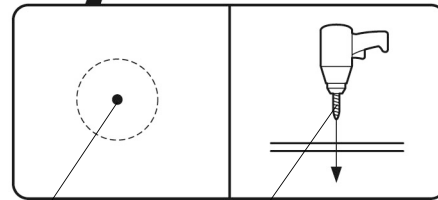
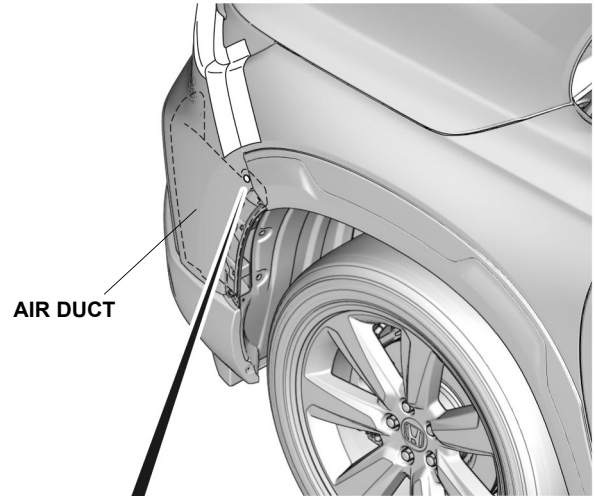
28. Pierce the front bumper.



QM90709BB

29. Drill the front bumper.

NOTE
Take care not to drill the air duct.

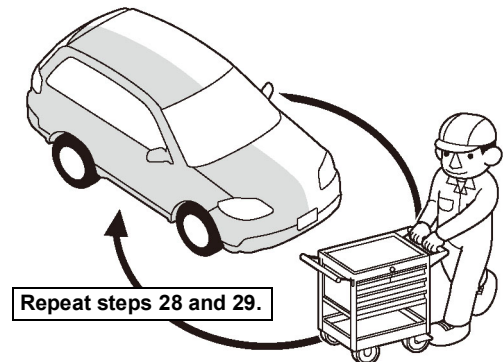


MARK
3 mm → 6 mm → 8 mm →
10 mm DRILL BITS

QM90710AB



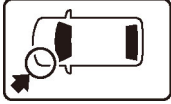
30. Repeat the same procedures on the other side.



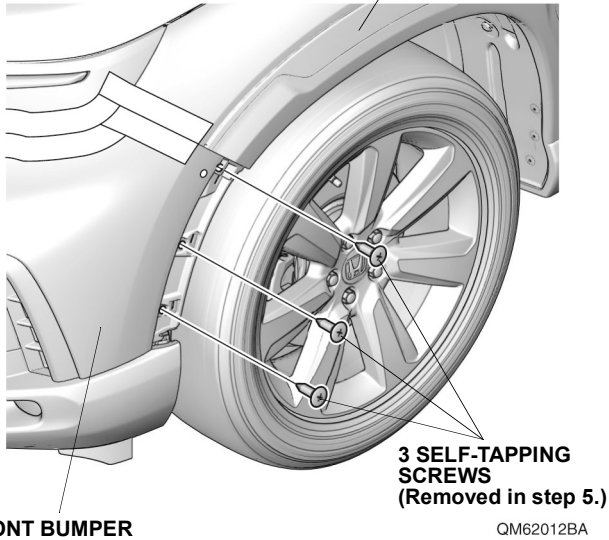
Q9D1014AM

Germain Honda of College Hills

31. Secure the left front fender flare and air duct.

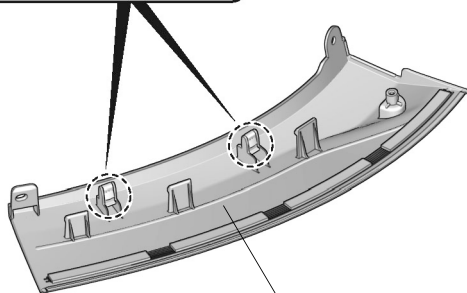
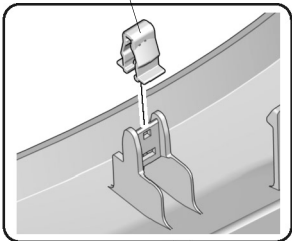


LEFT FRONT FENDER FLARE



32. Install the clips.

2 CLIPS (supplied)



LEFT FRONT BUMPER FLARE

QM62013AA

33. Clean the attaching area.

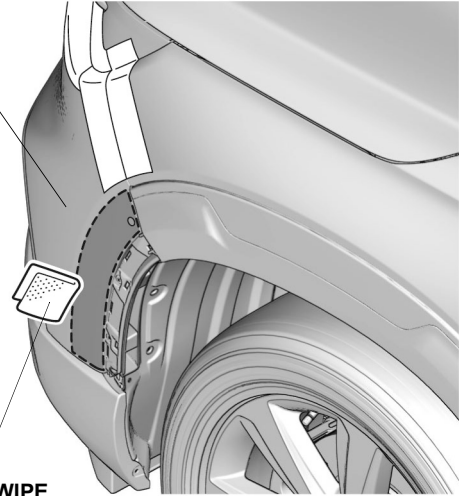
NOTE

Allow to dry thoroughly.



FRONT BUMPER

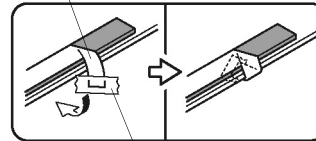
ALCOHOL WIPE



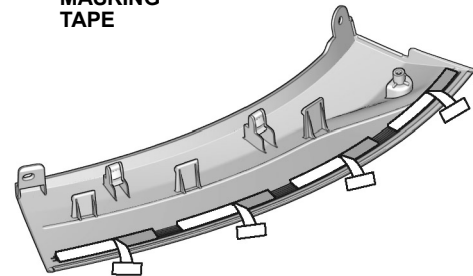
QM62014BA

34. Temporarily attach the adhesive backings.

4 ADHESIVE BACKINGS (Attach.)



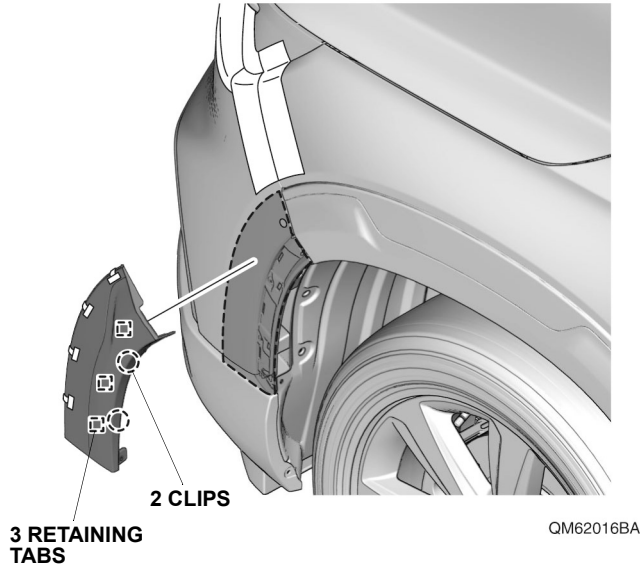
MASKING TAPE



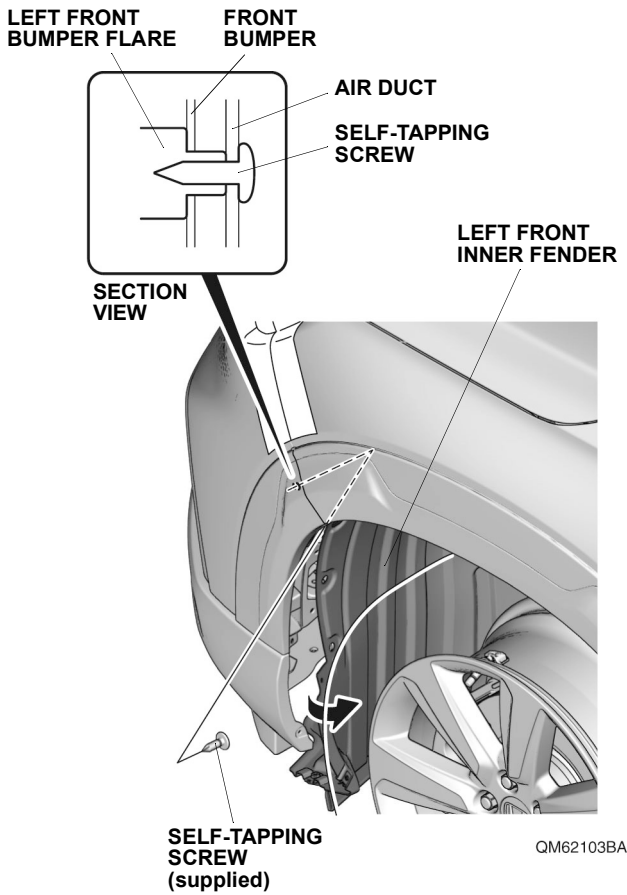
QM62015AA

Germain Honda of College Hills

35. Install the left front bumper flare.



36. Secure the left front bumper flare.

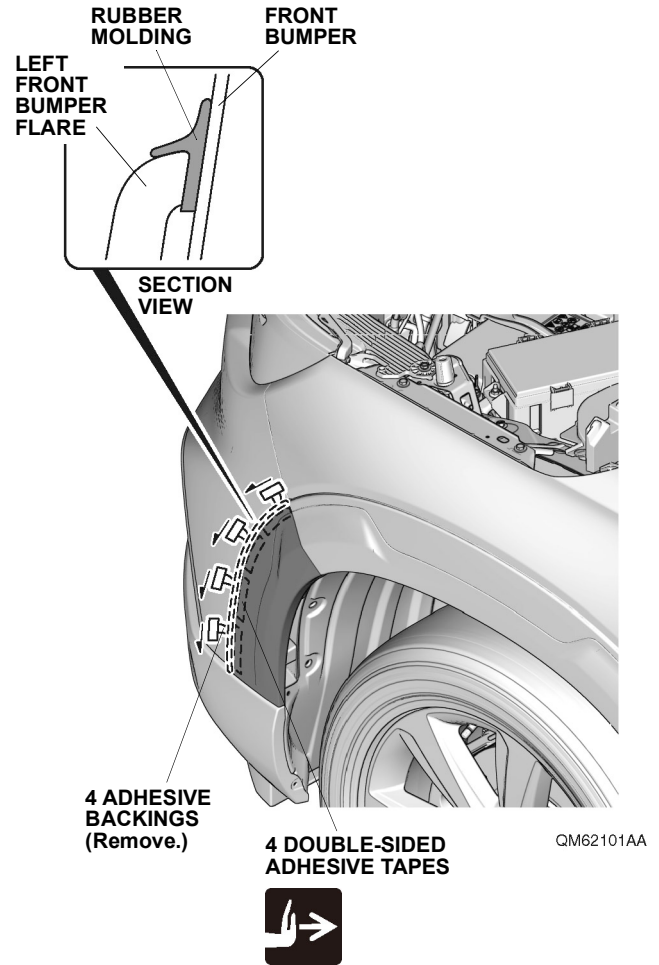


37. Install the left side of the front bumper.

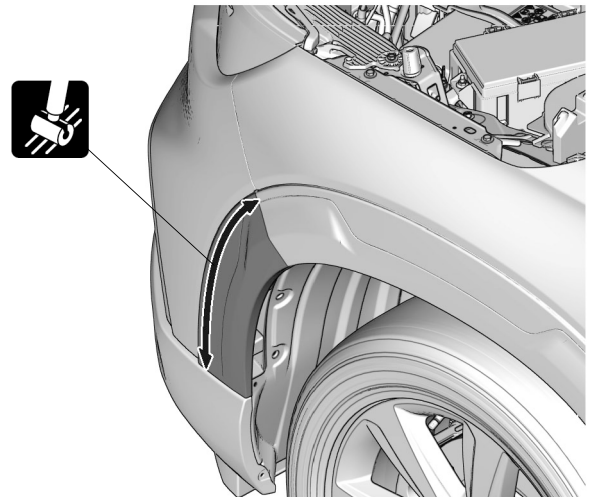
38. Secure the left front bumper flare.

NOTE

Check the position of the double-sided adhesive tapes and make sure to press firmly.



39. Secure the left front bumper flare.

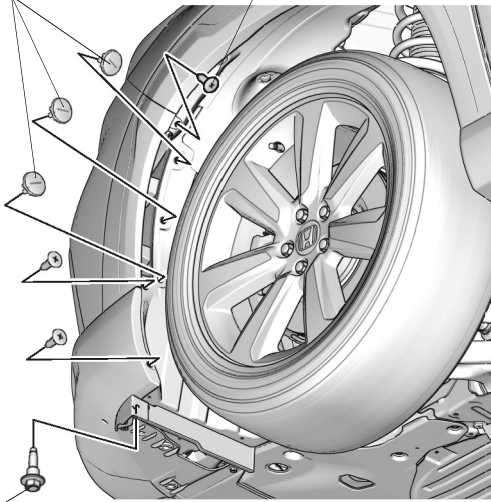


Germain Honda of College Hills

40. Secure the left front bumper flare and left front inner fender.

3 CLIPS
(Removed in step 3.)

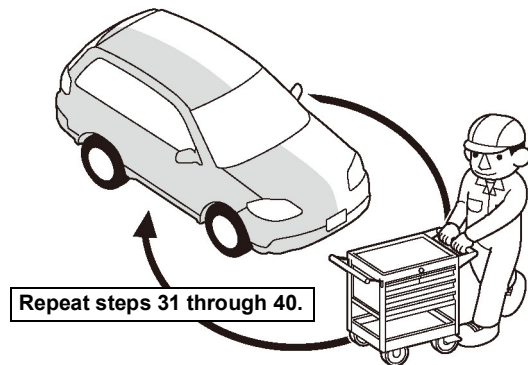
3 SELF-TAPPING SCREWS
(Removed in step 3.)



BOLT
(Removed in step 2.)

QM62104AA

41. Repeat the same procedures on the other side.



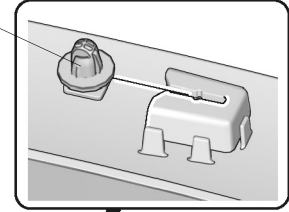
Repeat steps 31 through 40.

Q9D1014AM

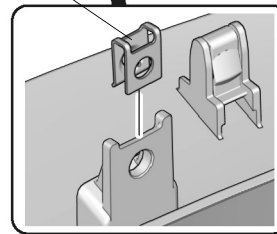
42. Remove the clips and spring nut.

8 CLIPS

LEFT REAR
WHEEL ARCH
PROTECTOR



SPRING
NUT



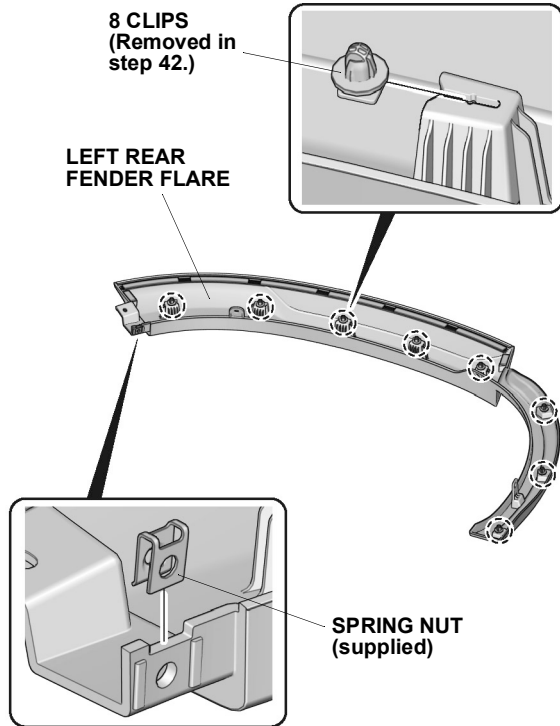
QM62105AA

Germain Honda of College Hills

43. Install the clips and spring nut.

NOTE

Make sure to install the spring nut in the correct orientation.

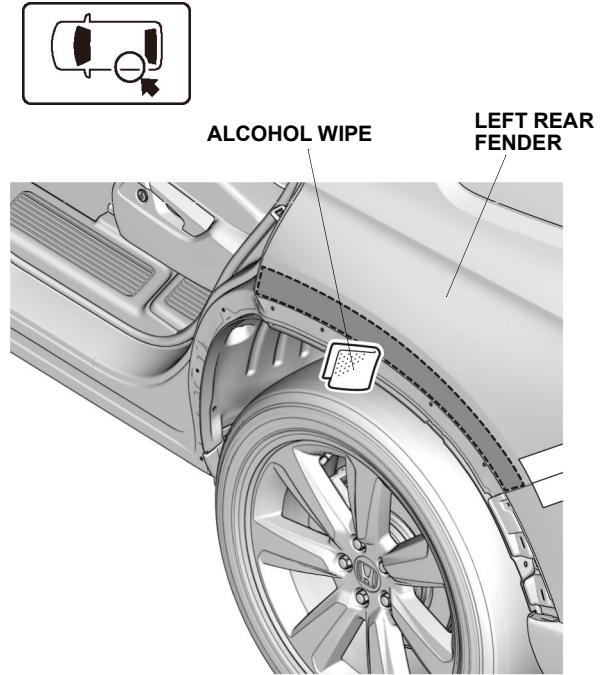


QM62106AA

44. Clean the attaching area.

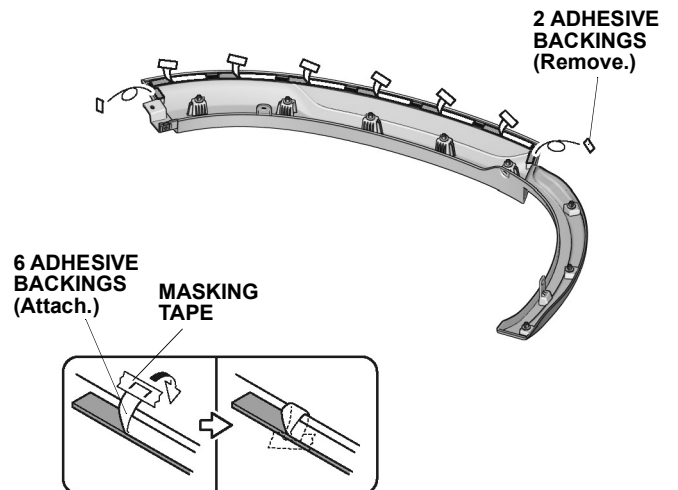
NOTE

Allow to dry thoroughly.



QM62107BA

45. Temporarily attach the adhesive backings.

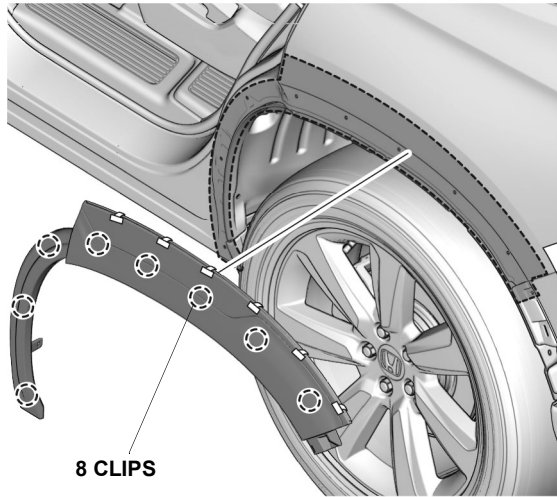


QM62108AA

46. Remove the adhesive backings.

Germain Honda of College Hills

47. Install the left rear fender flare.



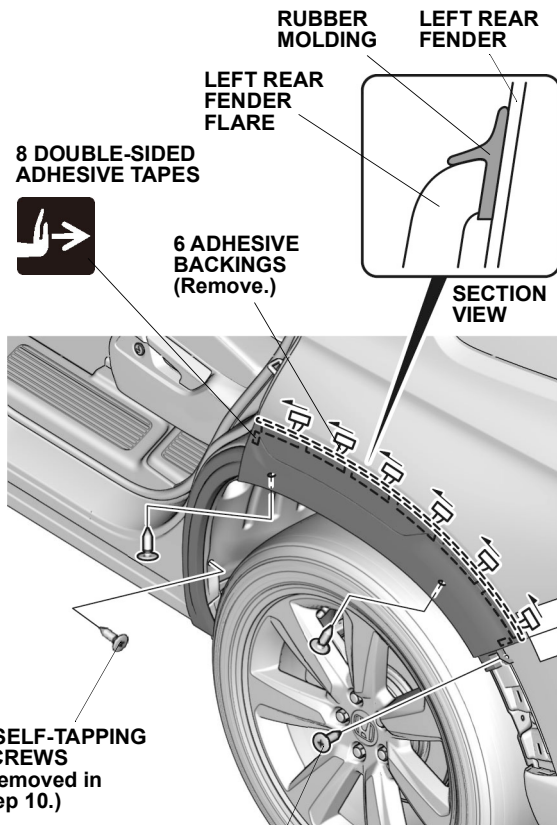
8 CLIPS

QM62109BA

48. Secure the left rear fender flare.

NOTE

Check the position of the double-sided adhesive tapes and make sure to press firmly.



SELF-TAPPING SCREW
(Removed in step 14.)

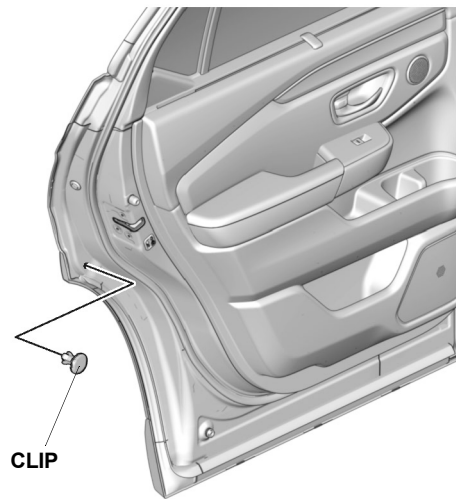
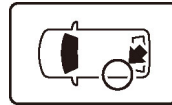
QM62110BA

49. Secure the left rear fender flare.



QM62111BA

50. Remove the clip.

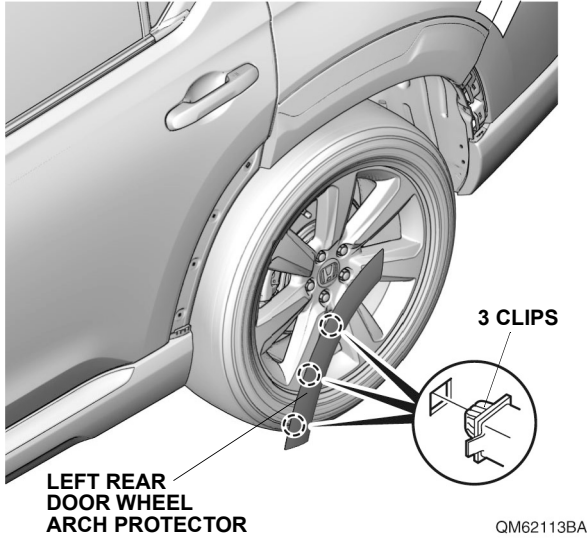
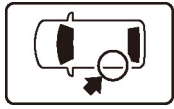


CLIP

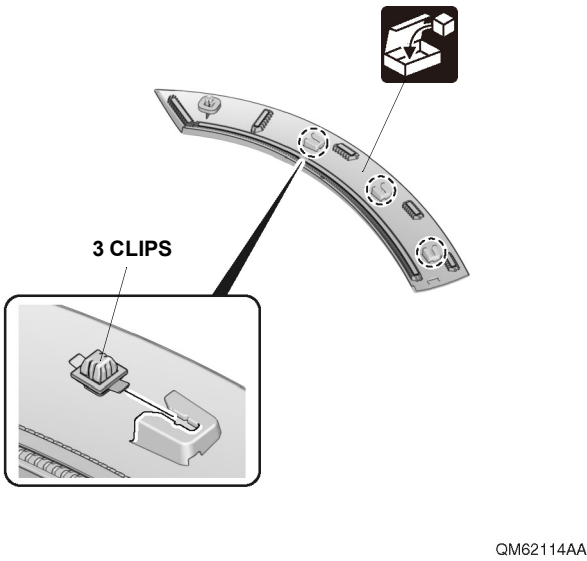
QM62112AA

Germain Honda of College Hills

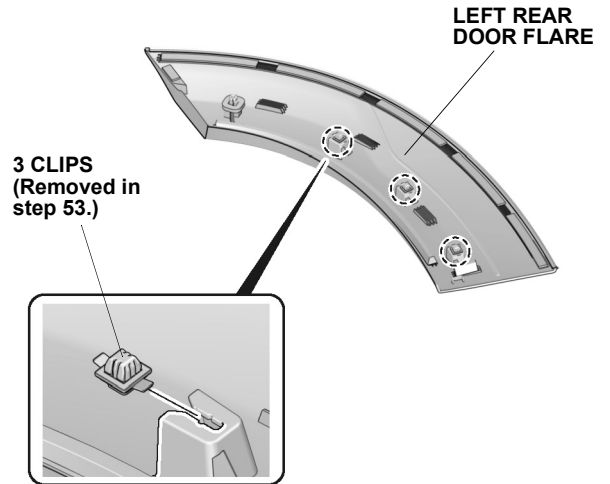
- 51. Close the left rear door.
- 52. Remove the left rear door wheel arch protector.



- 53. Remove the clips.

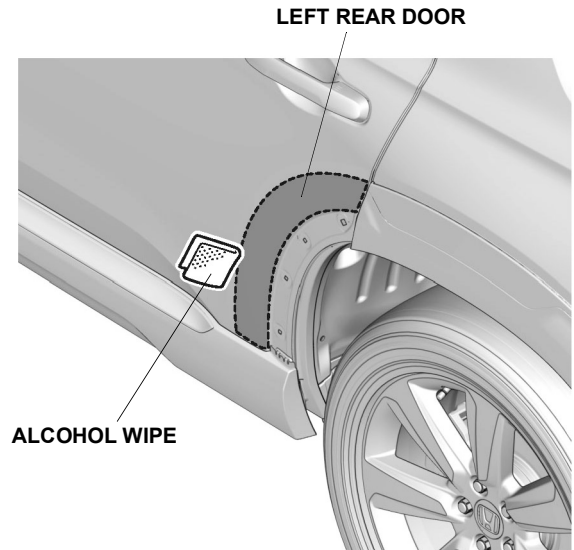
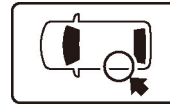


- 54. Install the clips.



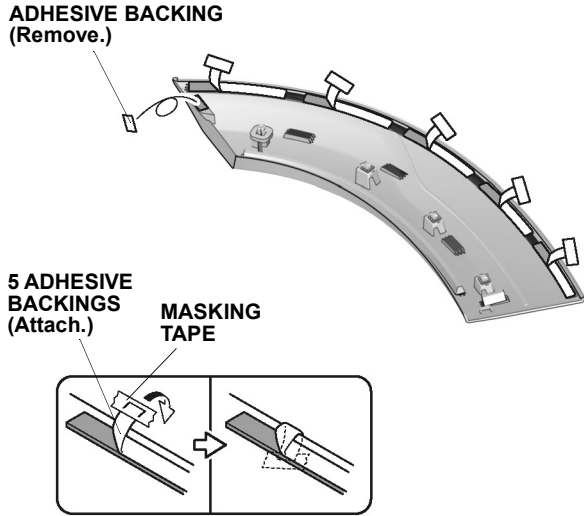
- 55. Clean the attaching area.

NOTE
Allow to dry thoroughly.



Germain Honda of College Hills

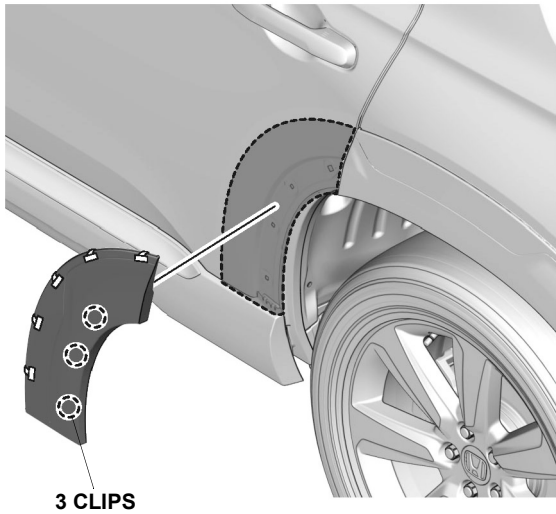
56. Temporarily attach the adhesive backings.



QM62117AA

57. Remove the adhesive backing.

58. Install the left rear door flare.

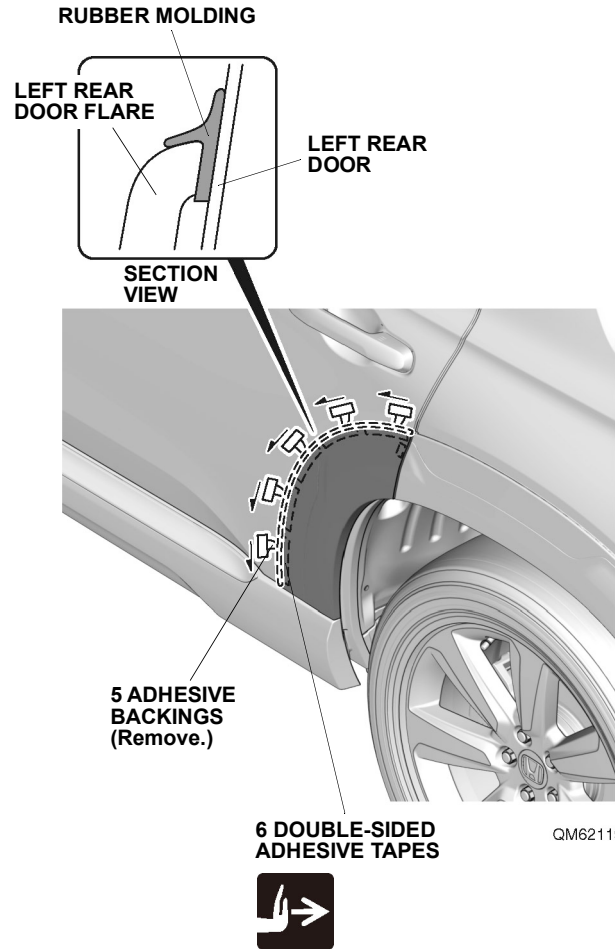


QM62118AA

59. Secure the left rear door flare.

NOTE

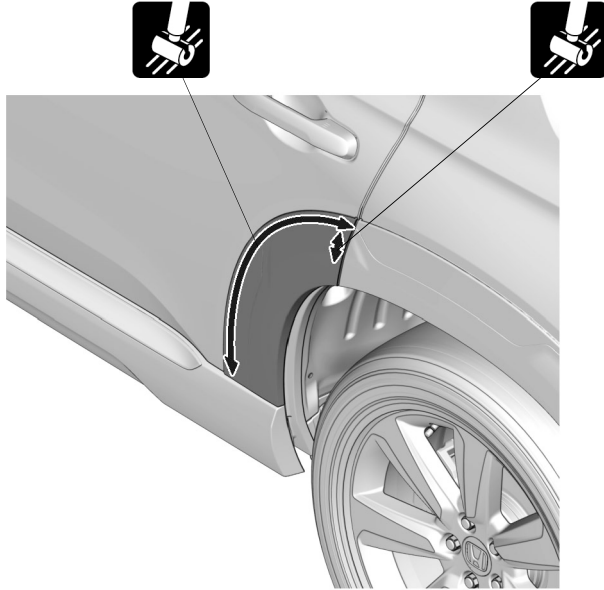
Check the position of the double-sided adhesive tapes and make sure to press firmly.



QM62119AA

Germain Honda of College Hills

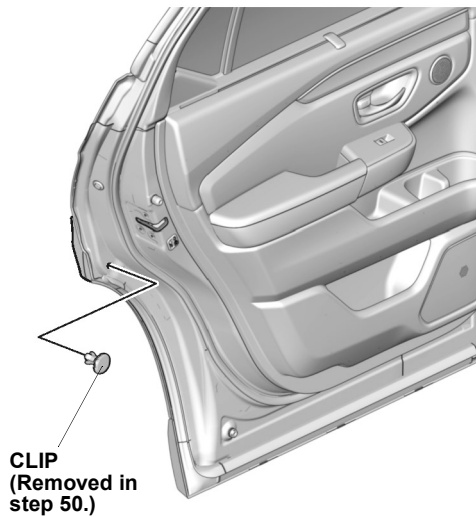
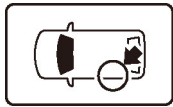
60. Secure the left rear door flare.



QM62120AA

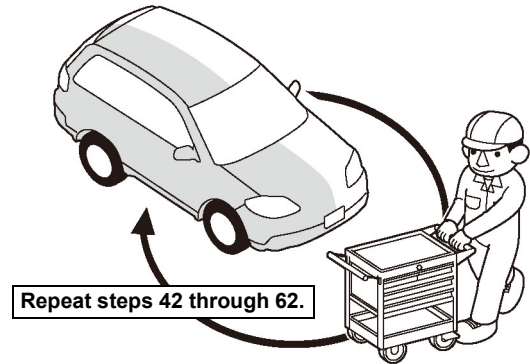
61. Open the left rear door.

62. Secure the left rear door flare.



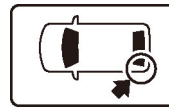
QM62121AA

63. Repeat the same procedures on the other side.

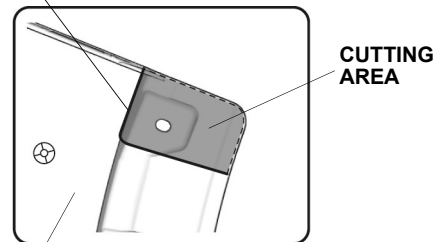


Q9D1014AM

64. Cut the rear bumper.

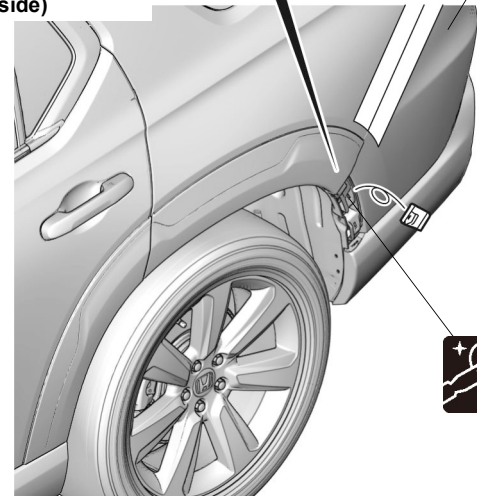


SCRIBE LINE
OPPOSITE
SIDE VIEW



REAR BUMPER
(inside)

REAR BUMPER



QM90801AB

65. Repeat step 64 on the other side.

66. Install the rear bumper.

NOTE

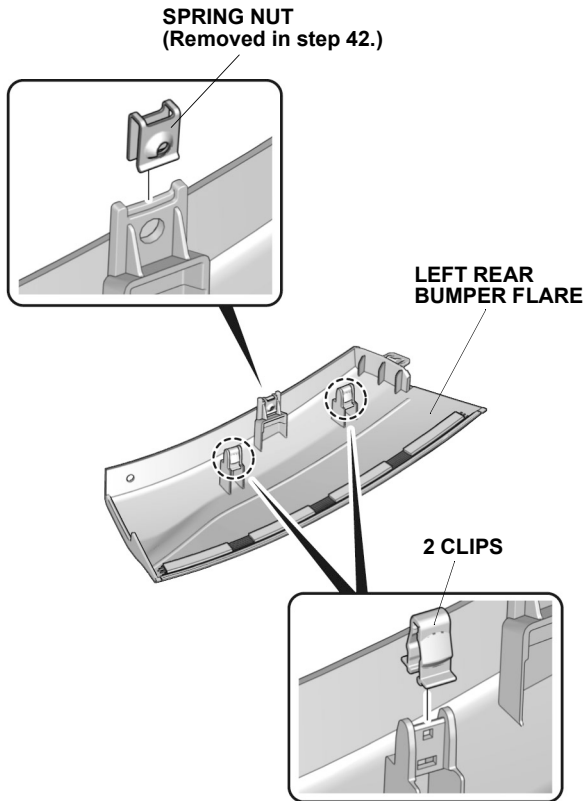
Do not secure the left and right rear inner fenders in this step.

Germain Honda of College Hills

67. Install the clips and spring nut.

NOTE

Make sure to install the spring nut in the correct orientation.

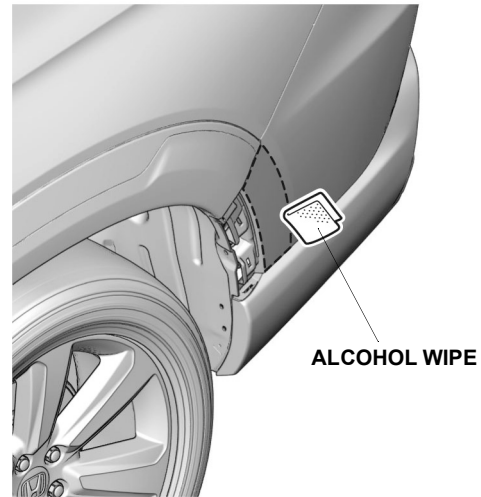


QM62201BA

68. Clean the attaching area.

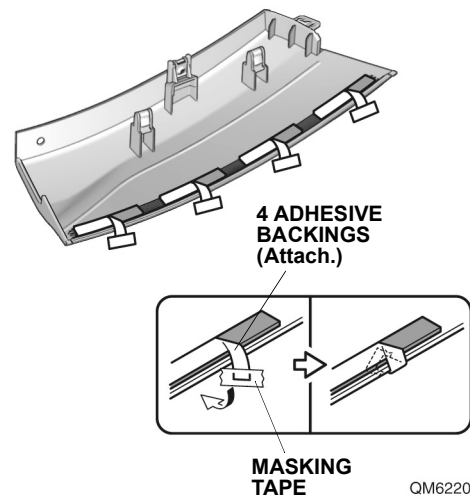
NOTE

Allow to dry thoroughly.



QM90802AB

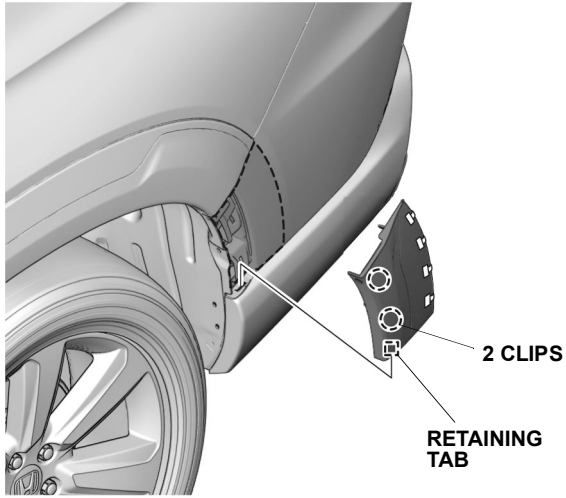
69. Temporarily attach the adhesive backings.



QM62203BA

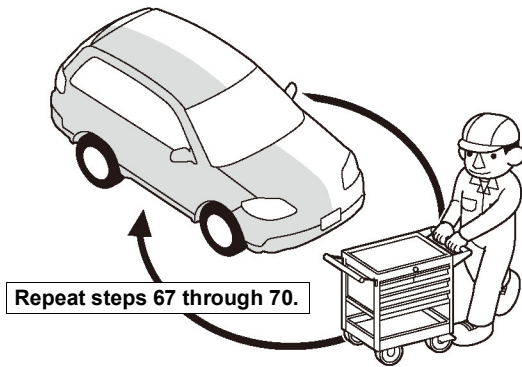
Germain Honda of College Hills

70. Install the left rear bumper flare.



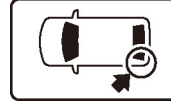
QM90803AB

71. Repeat the same procedures on the other side.



Q9D1014AM

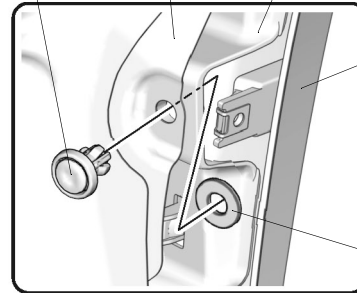
72. Secure the rear bumper.



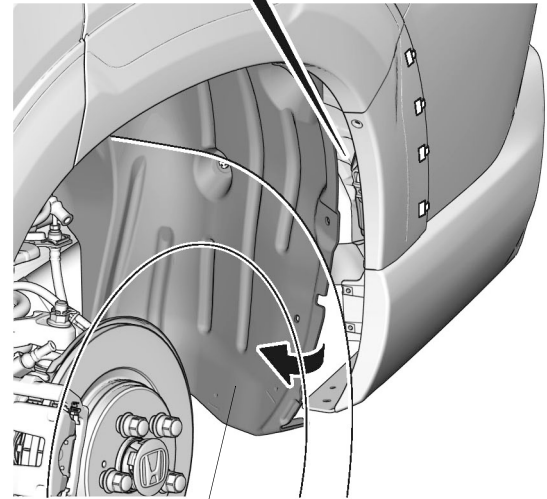
CLIP
(Removed
in step 14.)

VEHICLE
PANEL

REAR
BUMPER



OPPOSITE SIDE VIEW



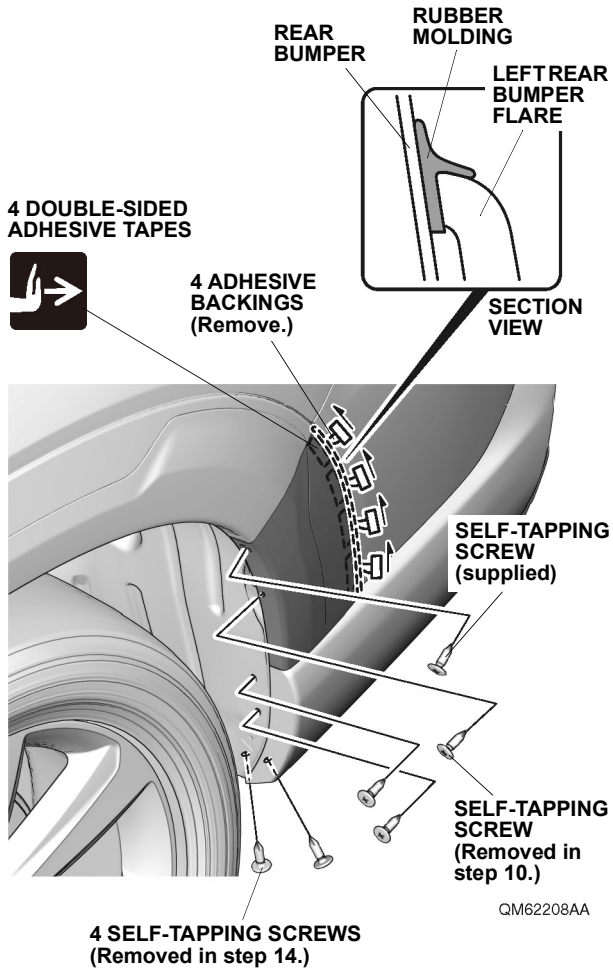
QM62207AA

Germain Honda of College Hills

73. Secure the left rear bumper flare and left rear inner fender.

NOTE

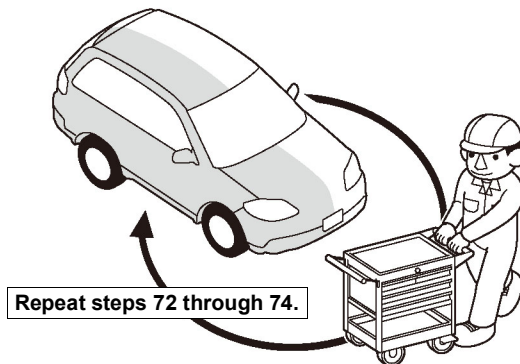
Check the position of the double-sided adhesive tapes and make sure to press firmly.



74. Secure the left rear bumper flare.



75. Repeat the same procedures on the other side.



76. Check that all parts are installed properly.