

Germain Honda of College Hills



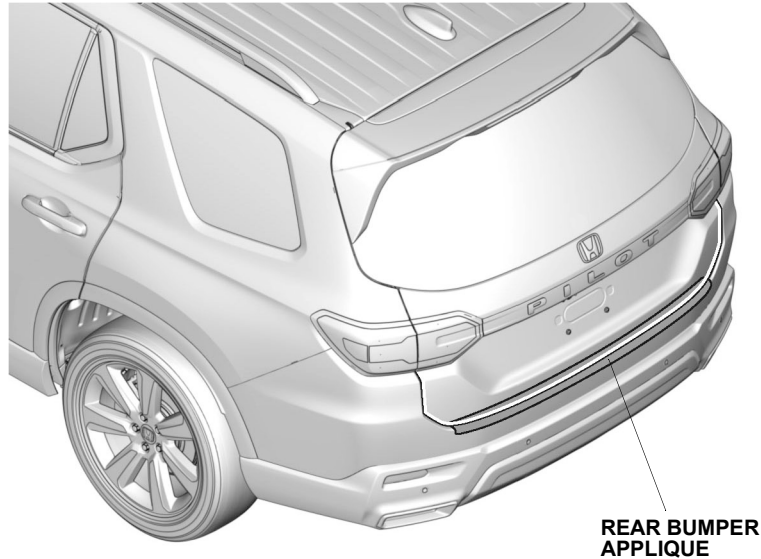
INSTALLATION INSTRUCTIONS

Accessory
REAR BUMPER APPLIQUE

Application
**2023 PILOT
MODEL SERIES**

Publications No.
VERSION 1
Issue Date
NOV 2022

GENERAL VIEW



QM60201AA

FOR YOUR SAFETY (Read carefully.)

Warning Symbols

Safety: Your safety, and the safety of others, is important. To help you make informed decisions about service procedures, we have provided safety messages where appropriate. Of course, it is not practical or possible to warn you about all the hazards associated with servicing a vehicle - you must use your own good judgment.

You will find important safety messages preceded by one of the following symbols:

*All symbols are not used in all installation instructions.

⚠ DANGER

You will be killed or seriously hurt if you do not follow the instructions.

⚠ WARNING

You can be killed or seriously hurt if you do not follow the instructions.

⚠ CAUTION

You can be hurt if you do not follow the instructions.

NOTICE

Gives advice to prevent damage to the product, vehicle, the environment or other property.

NOTE

Gives helpful information or instructions to be followed when installing this product.

Germain Honda of College Hills

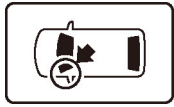


Indicates a prohibited action.

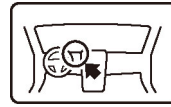
Procedure and Location Icons

These icons indicate the work location and the worker's point of view.

*All icons are not used in all installation instructions.



The location on the vehicle.



The location in the vehicle.
(Instrument panel.)



Wear eye protection.



Wear heavy gloves.



Use an assistant.



Place the part on a blanket.



Work perpendicular.



Remove any burrs.



Use touch-up paint and allow to dry.



Tighten to the specified torque.



Apply firm pressure while rolling, especially at the ends, to set the adhesive.



Press firmly.



Clean with isopropyl alcohol.



Return the original part to the customer.
(Do not reuse.)

Safety: General

- Be careful not to damage the vehicle or the parts.
- The illustrations may differ slightly from the actual accessory.

Safety: Accessory

- Do not install the accessory on a dirty surface or in direct sunlight.
- Make sure the ambient air temperature is 60°F (15°C) or above when installing accessories that use adhesive material.
- When applying adhesive material, make sure it is lined up properly before attaching. Once the adhesive material touches the surface, do not try to remove it. If you do, you could damage the part.

Germain Honda of College Hills

- Cover nearby parts with a shop towel to prevent getting them wet.
- Always wear gloves when working with 3M protective tape application solution.
- Use 3M protective tape application solution with a spray bottle.
- Do not wash the vehicle for 24 hours to allow the adhesive to cure.

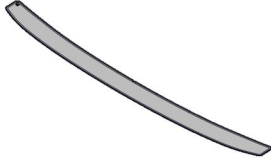
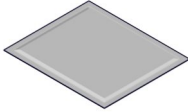
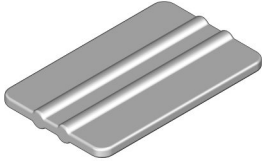
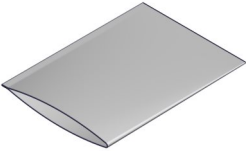
PARTS LIST

Rear Bumper Applique Kit

(P/N 08P48-T90-100)

(P/N 08P48-T90-P00)

(*: The part differs depending on the kit.)

Rear bumper applique	*Alcohol wipe (P/N 08P48-T90-100)	*Applicator (P/N 08P48-T90-100)	*Felt sleeve (P/N 08P48-T90-100)
			

Germain Honda of College Hills

REQUIRED TOOLS AND SUPPLIES

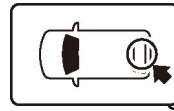
- Masking tape
- Felt-tip pen
- Gloves
- 3M Protective tape application solution

INSTALLATION

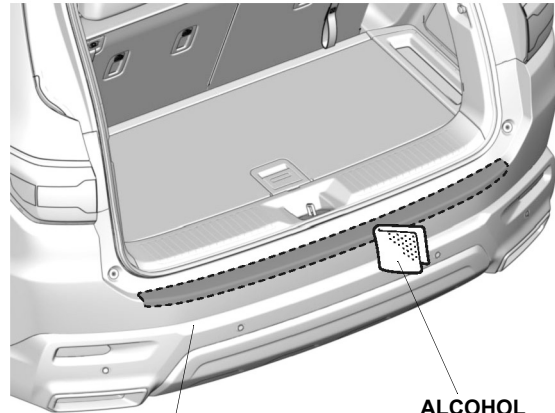
1. Clean the attaching area.

NOTE

Allow to dry thoroughly.



Shop towel



ALCOHOL
WIPE

REAR BUMPER

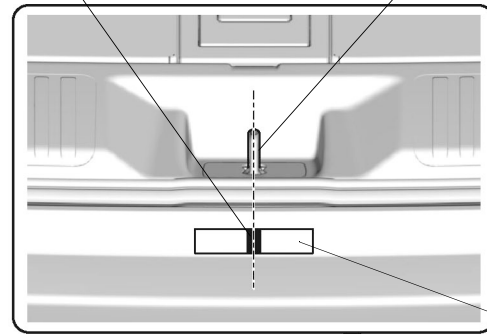
QM60202AA

2. Attach masking tape.

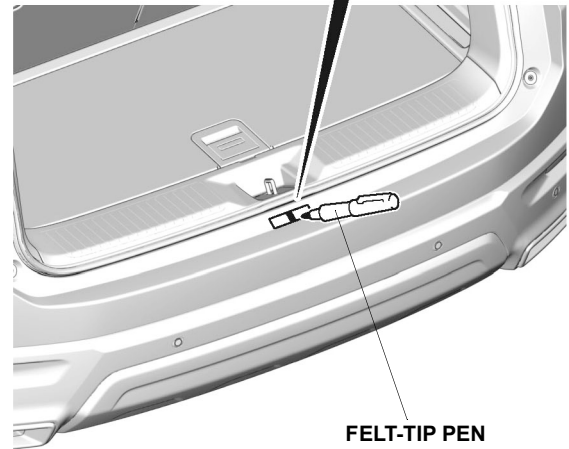
Germain Honda of College Hills

MARK
(Line up with the
center of the striker.)

STRIKER



**MASKING
TAPE**

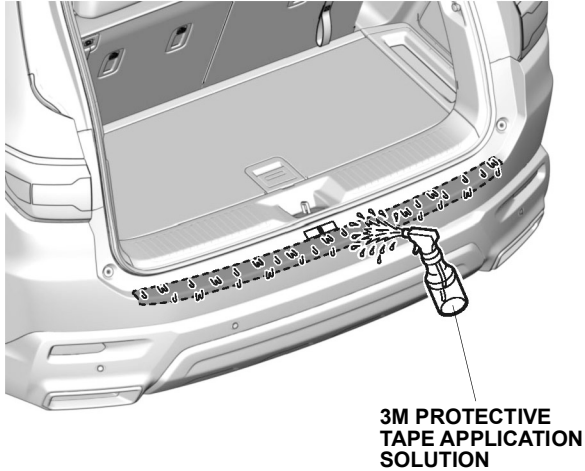


FELT-TIP PEN

QM60203AA

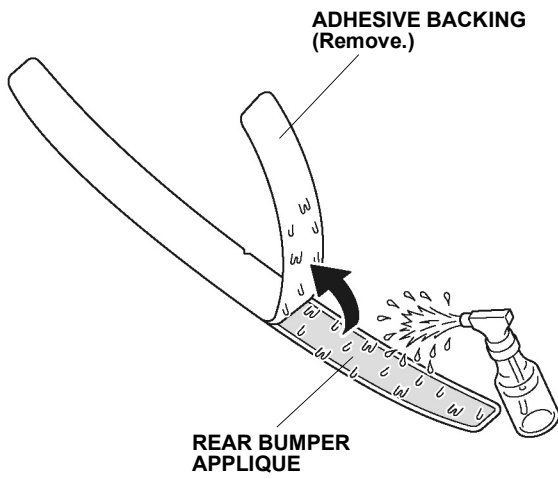
3. Mark the masking tape.
4. Spray the rear bumper.

Germain Honda of College Hills



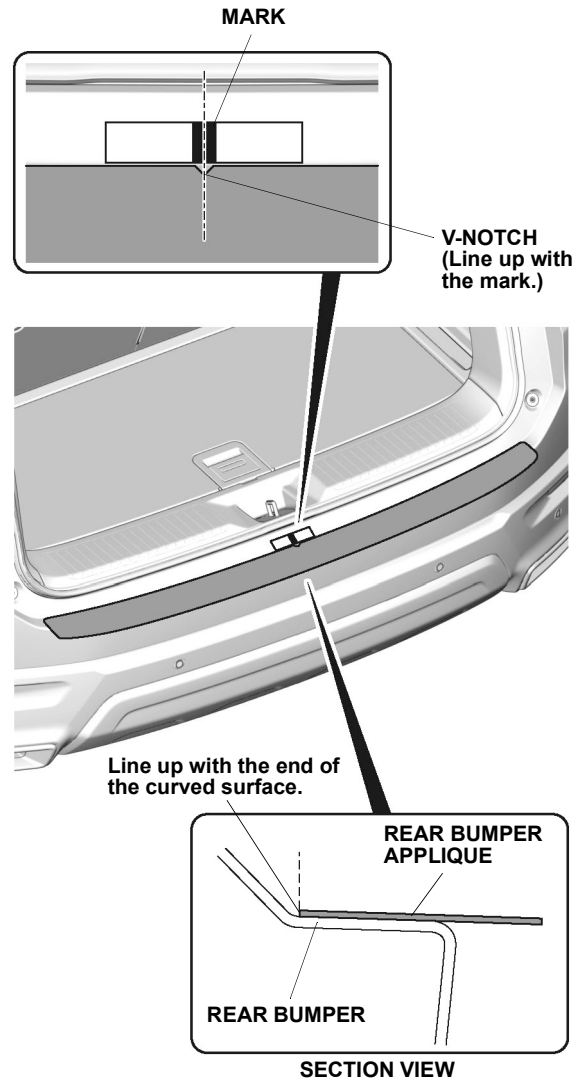
QM90511AA

5. Remove the adhesive backing.



QM90512AA

6. Spray the rear bumper applique.
7. Line up the rear bumper applique.



QM60205AA

Germain Honda of College Hills

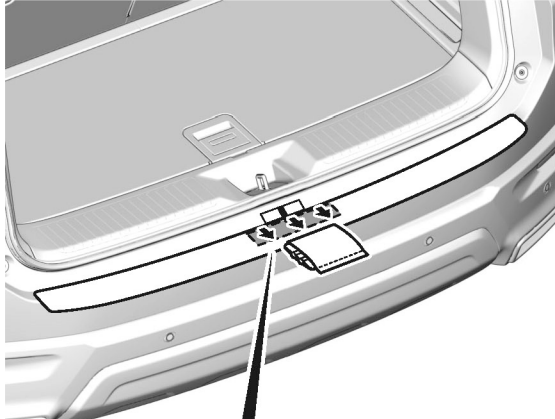
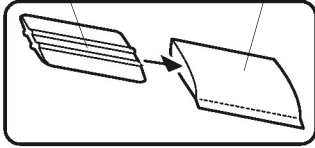
8. Secure the rear bumper applique.

NOTE
<ul style="list-style-type: none">• Move the felt sleeve in one direction only.• Inspect the rear bumper applique for bubbles and rework if needed.

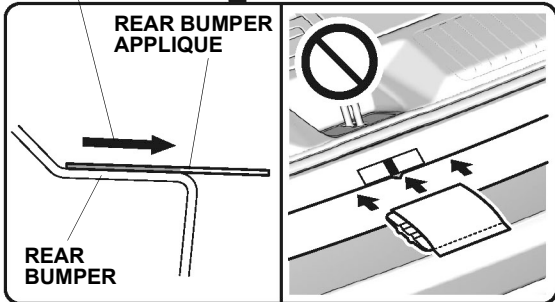
- Move the felt sleeve in one direction only.
- Inspect the rear bumper applique for bubbles and rework if needed.

Germain Honda of College Hills

APPLICATOR FELT SLEEVE



Work from the front to the rear.

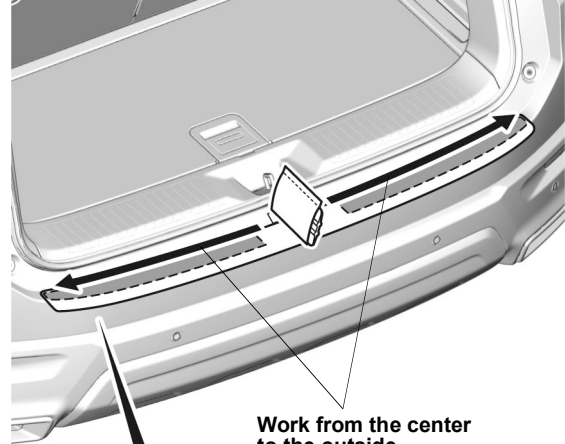


SECTION VIEW

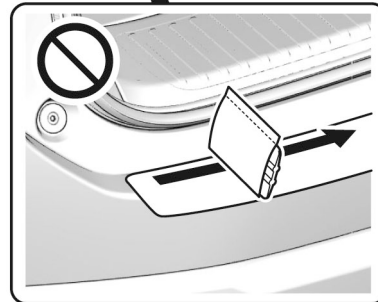
9. Secure the rear bumper applique.

NOTE

- Move the felt sleeve in one direction only.
- Inspect the rear bumper applique for bubbles and rework if needed.



Work from the center to the outside.



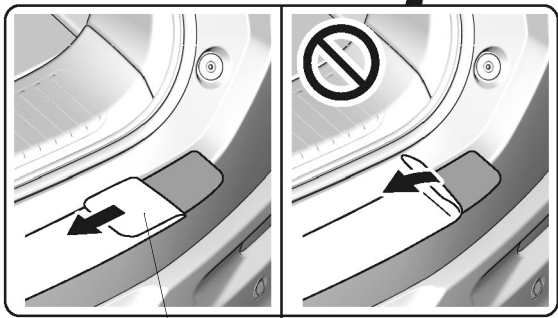
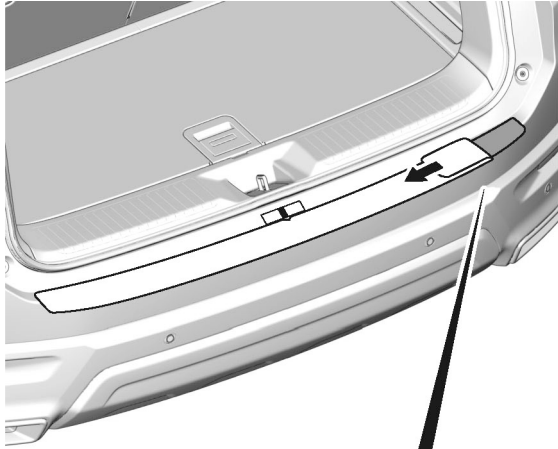
QM60206CA

10. Remove the protective film.

NOTE

Do not pull up on the protective film.

Germain Honda of College Hills



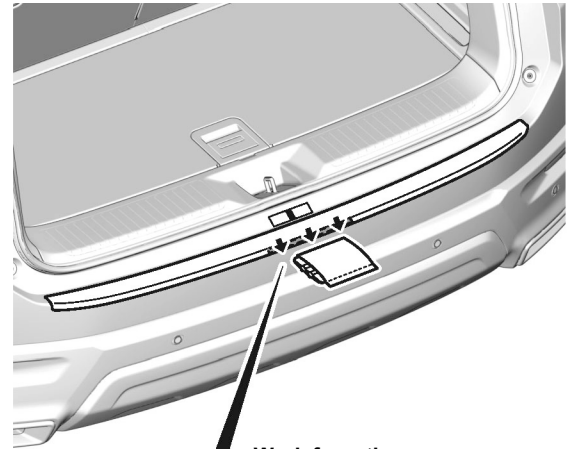
PROTECTIVE FILM
(Remove.)

QM60208BA

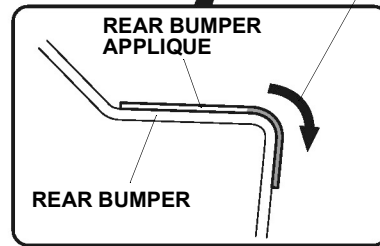
11. Secure the rear bumper applique.

NOTE

- Move the felt sleeve in one direction only.
- Inspect the rear bumper applique for bubbles and rework if needed.



Work from the upper side to the lower side.



SECTION VIEW

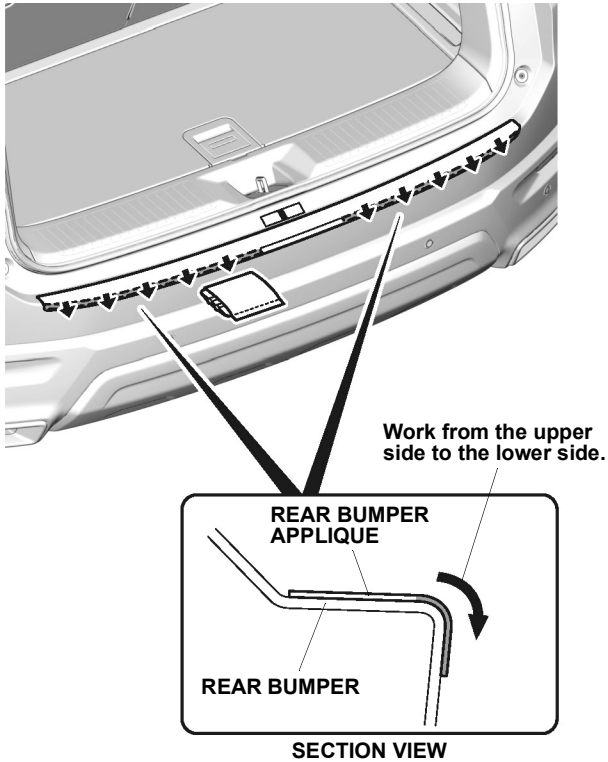
QM90601AA

12. Secure the rear bumper applique.

NOTE

- Move the felt sleeve in one direction only.
- Inspect the rear bumper applique for bubbles and rework if needed.

Germain Honda of College Hills

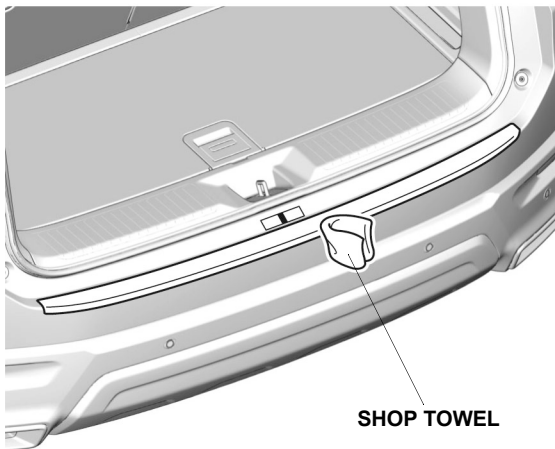


QM60207BA

13. Wipe off the 3M protective tape application solution.

NOTE

Allow to dry thoroughly.



QM90602BA

14. Remove the masking tape.
15. Check that all parts are installed properly.