

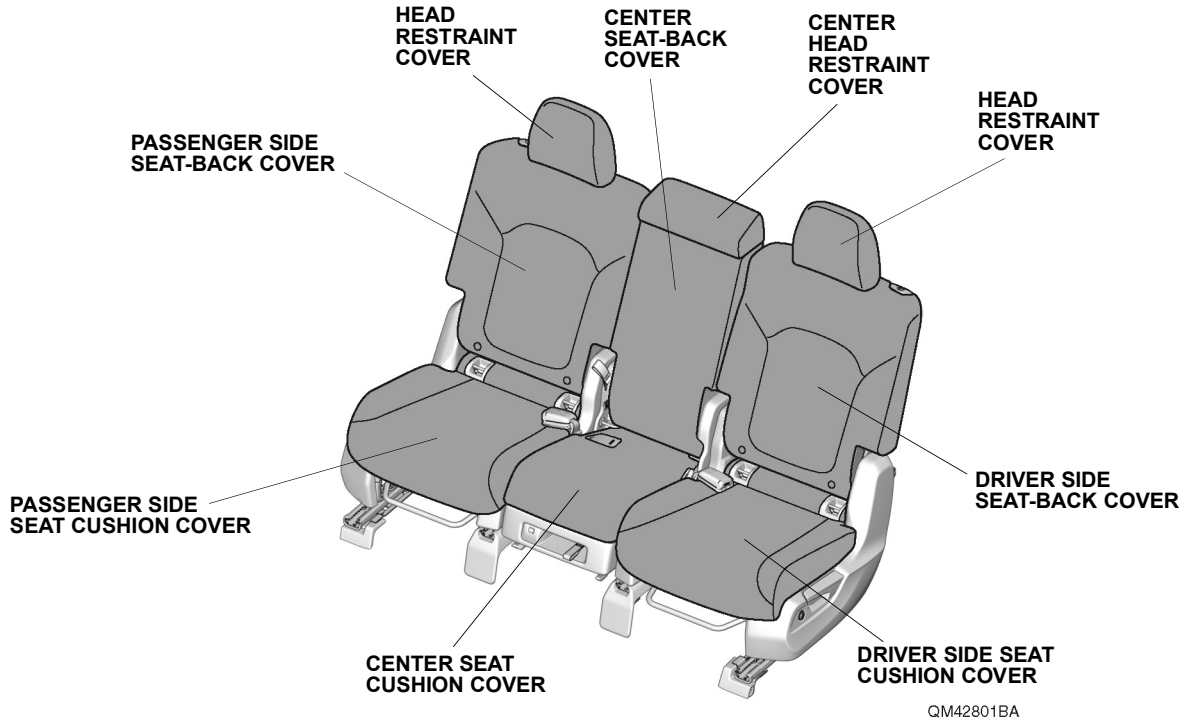
Germain Honda of College Hills



INSTALLATION INSTRUCTIONS

Accessory SECOND ROW SEAT COVERS	Application 2023 PILOT MODEL SERIES	Publications No. VERSION 1
		Issue Date NOV 2022

GENERAL VIEW



FOR YOUR SAFETY (Read carefully.)

Warning Symbols

Safety: Your safety, and the safety of others, is important. To help you make informed decisions about service procedures, we have provided safety messages where appropriate. Of course, it is not practical or possible to warn you about all the hazards associated with servicing a vehicle - you must use your own good judgment.

You will find important safety messages preceded by one of the following symbols:

*All symbols are not used in all installation instructions.

⚠ DANGER

You will be killed or seriously hurt if you do not follow the instructions.

⚠ WARNING

You can be killed or seriously hurt if you do not follow the instructions.

⚠ CAUTION

You can be hurt if you do not follow the instructions.

NOTICE

Gives advice to prevent damage to the product, vehicle, the environment or other property.

NOTE

Gives helpful information or instructions to be followed when installing this product.

Germain Honda of College Hills

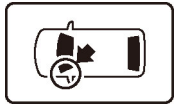


Indicates a prohibited action.

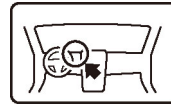
Procedure and Location Icons

These icons indicate the work location and the worker's point of view.

*All icons are not used in all installation instructions.



The location on the vehicle.



The location in the vehicle.
(Instrument panel.)



Wear eye protection.



Wear heavy gloves.



Use an assistant.



Place the part on a blanket.



Work perpendicular.



Remove any burrs.



Use touch-up paint and allow to dry.



Tighten to the specified torque.



Apply firm pressure while rolling, especially at the ends, to set the adhesive.



Press firmly.



Clean with isopropyl alcohol.



Return the original part to the customer.
(Do not reuse.)

Safety: General

- Observe all safety notes and precautions described in the service information, in addition to those described in this Installation Instruction. Be extremely careful for your safety and safety of others.
- Be careful not to damage the vehicle or the parts.
- Note the locations of the parts before removing them so they can be properly installed in their original positions.
- The illustrations may differ slightly from the actual accessory.

PARTS LIST

Second Row Seat Covers Kit

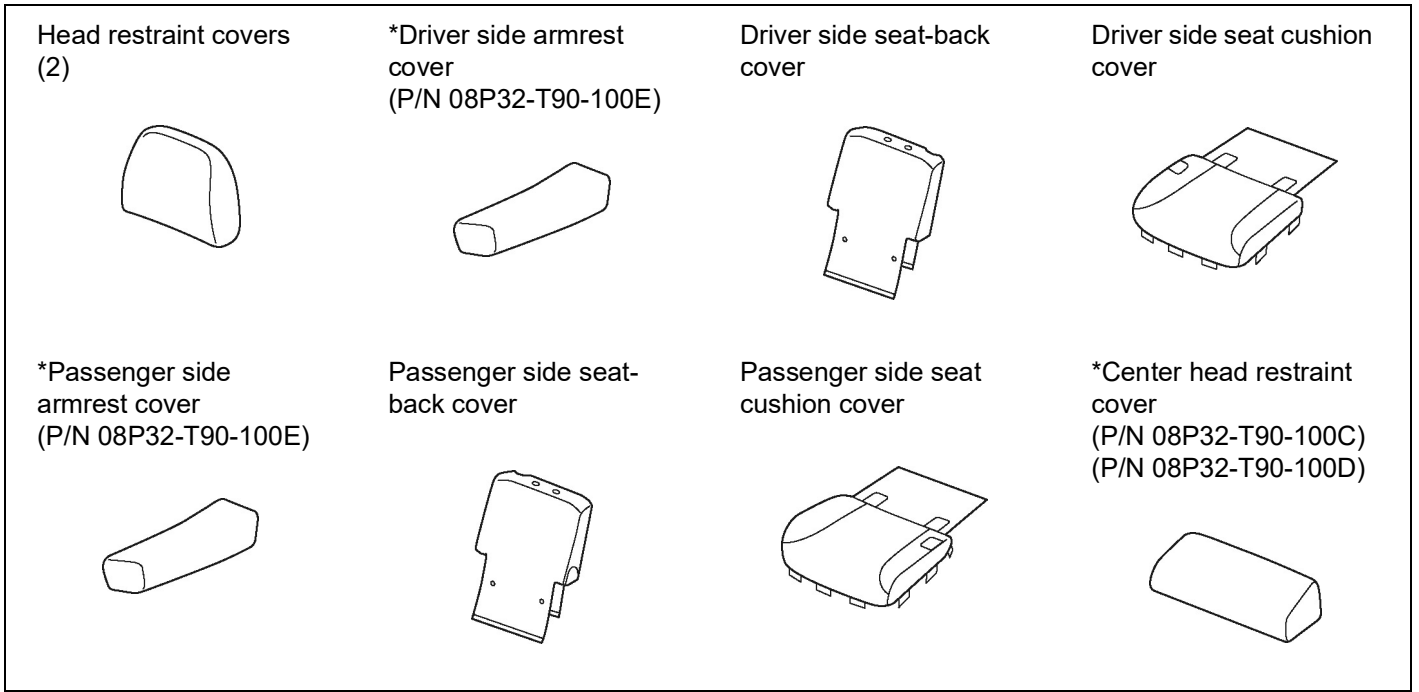
(P/N 08P32-T90-100C)

(P/N 08P32-T90-100D)

(P/N 08P32-T90-100E)

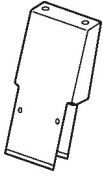
(*: The part differs depending on the kit.)

Germain Honda of College Hills

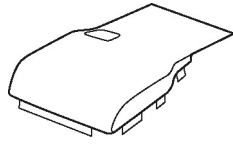


Germain Honda of College Hills

*Center seat-back cover
(P/N 08P32-T90-100C)
(P/N 08P32-T90-100D)



*Center seat cushion cover
(P/N 08P32-T90-100C)
(P/N 08P32-T90-100D)

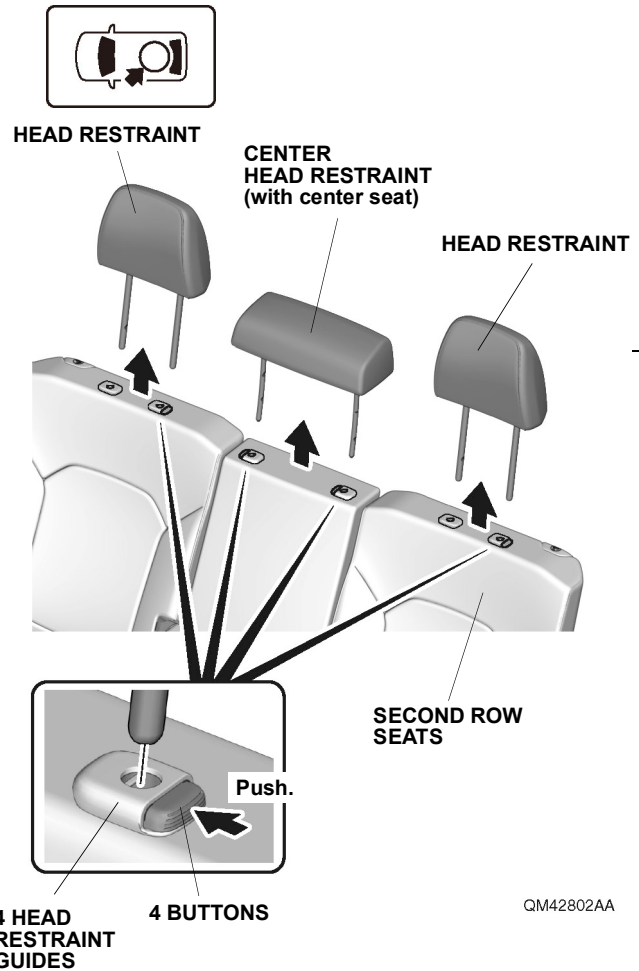


REQUIRED TOOLS AND SUPPLIES

- Scissors

INSTALLATION

1. Make sure to identify the installation position of each seat cover by referring to the position (identification) label of the cover.
2. Remove the head restraints.



3. Choose one of these options.

- With armrest

Germain Honda of College Hills

Go to step 4

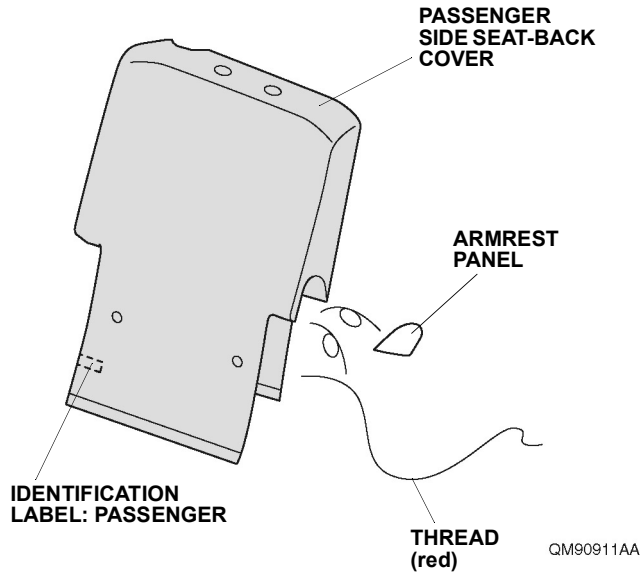
- Without armrest

Go to step 5

4. Remove the armrest panel.

NOTE

- Make sure to check the identification label before installation.
- Be careful to only clip the red stitches.

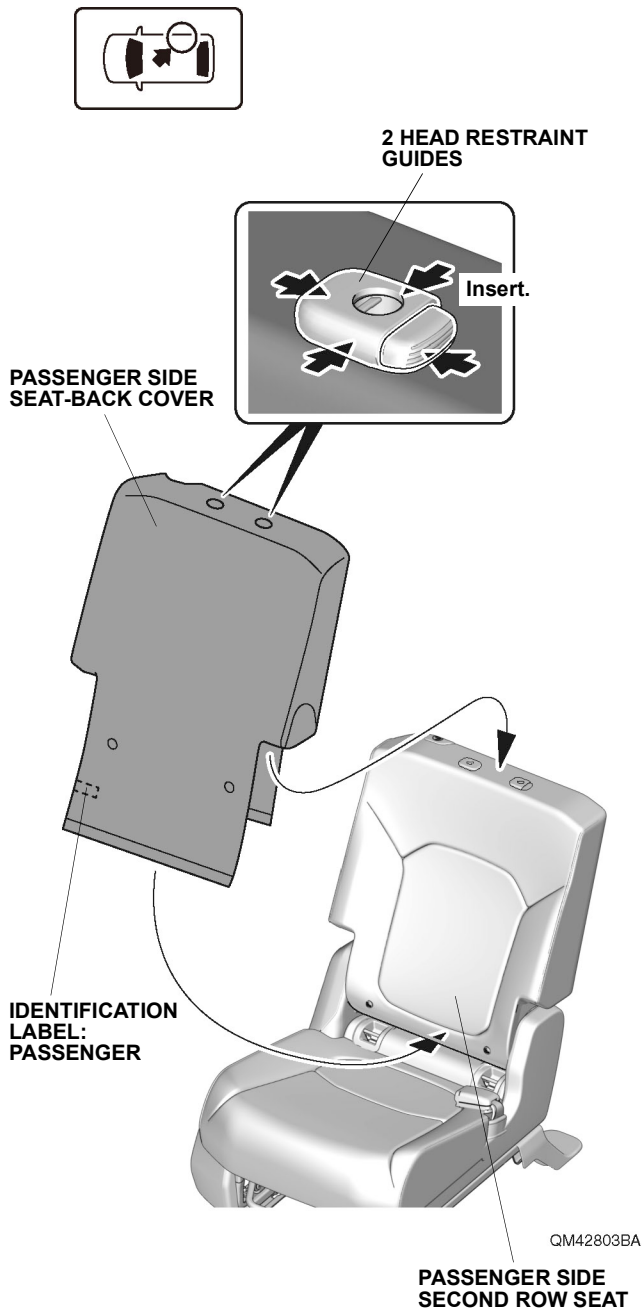


5. Install the passenger side seat-back cover.

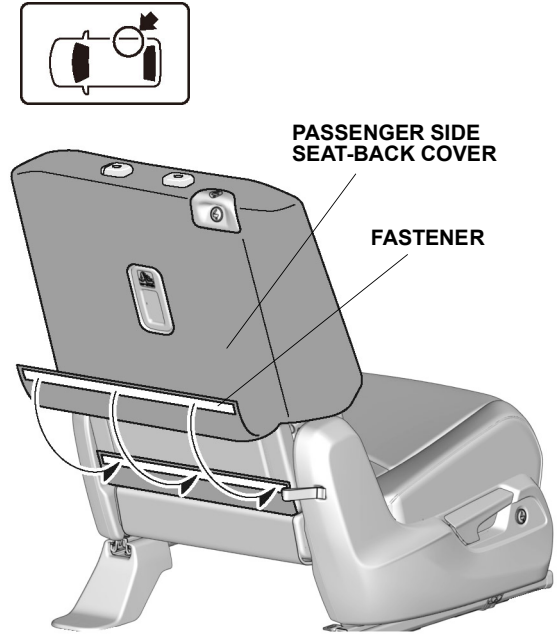
NOTE

Make sure to check the identification label before installation.

Germain Honda of College Hills



6. Secure the passenger side seat-back cover.

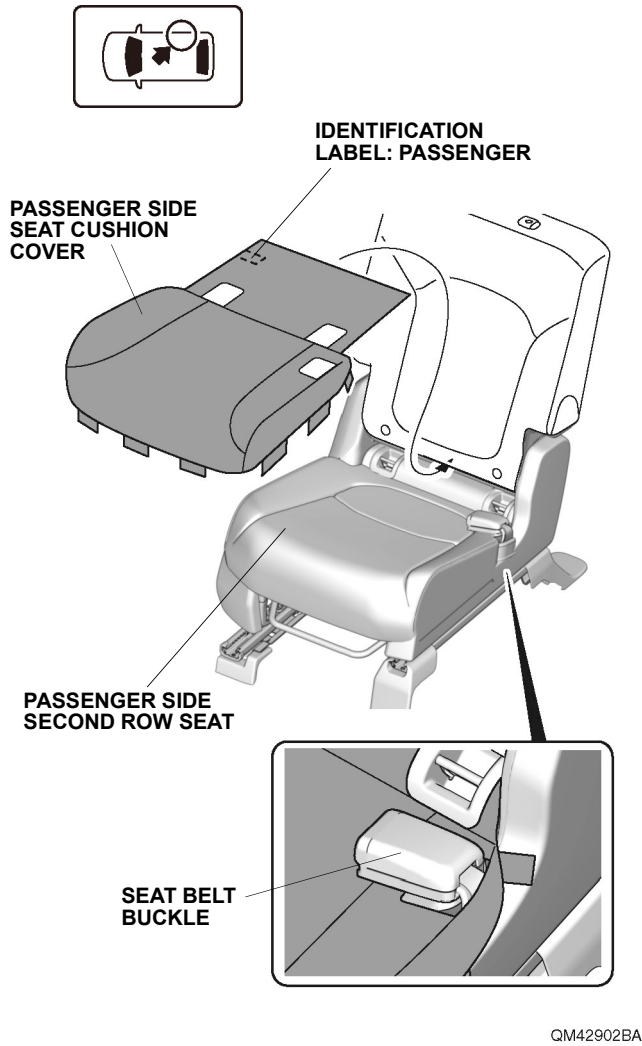


7. Install the passenger side seat cushion cover.

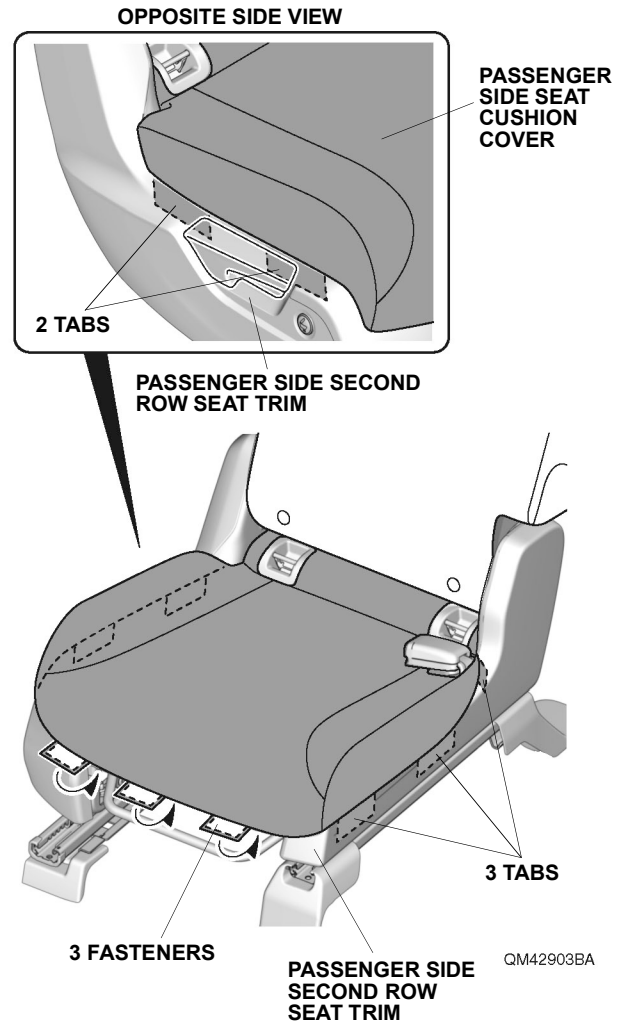
NOTE

Make sure to check the identification label before installation.

Germain Honda of College Hills

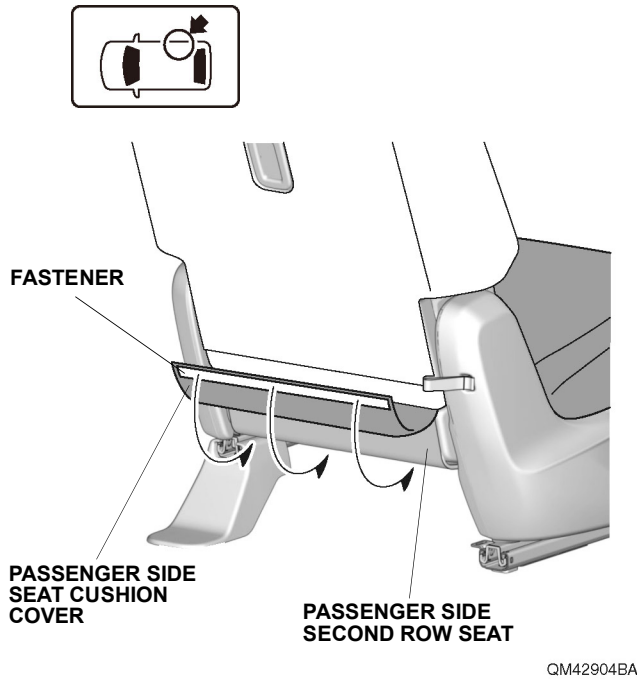


8. Secure the passenger side seat cushion cover.

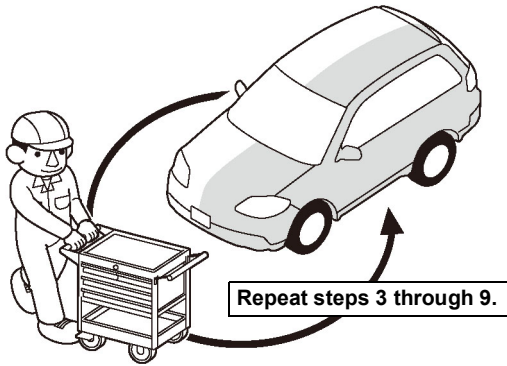
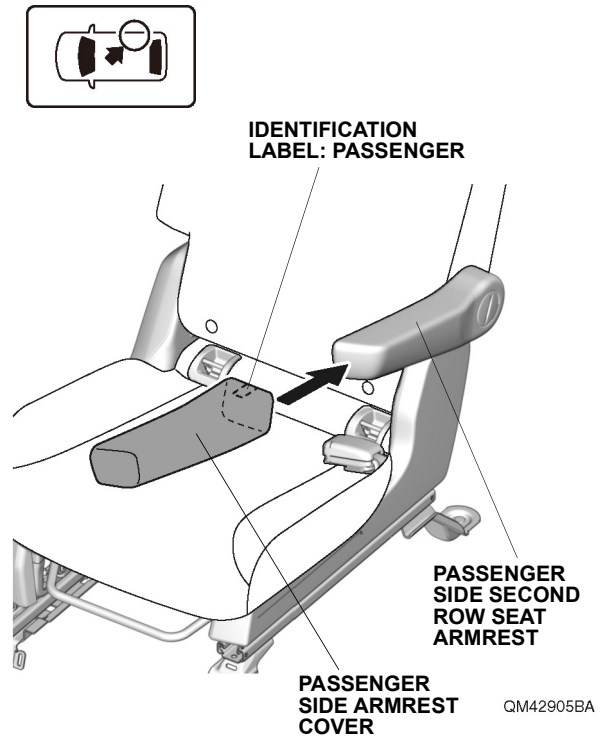


9. Secure the passenger side seat cushion cover.

Germain Honda of College Hills



10. Repeat the same procedures on the other side.



11. Choose one of these options.

• With armrest	Go to step 12
• Without armrest	Go to step 14

12. Install the passenger side armrest cover.

NOTE

Make sure to check the identification label before installation.

Germain Honda of College Hills

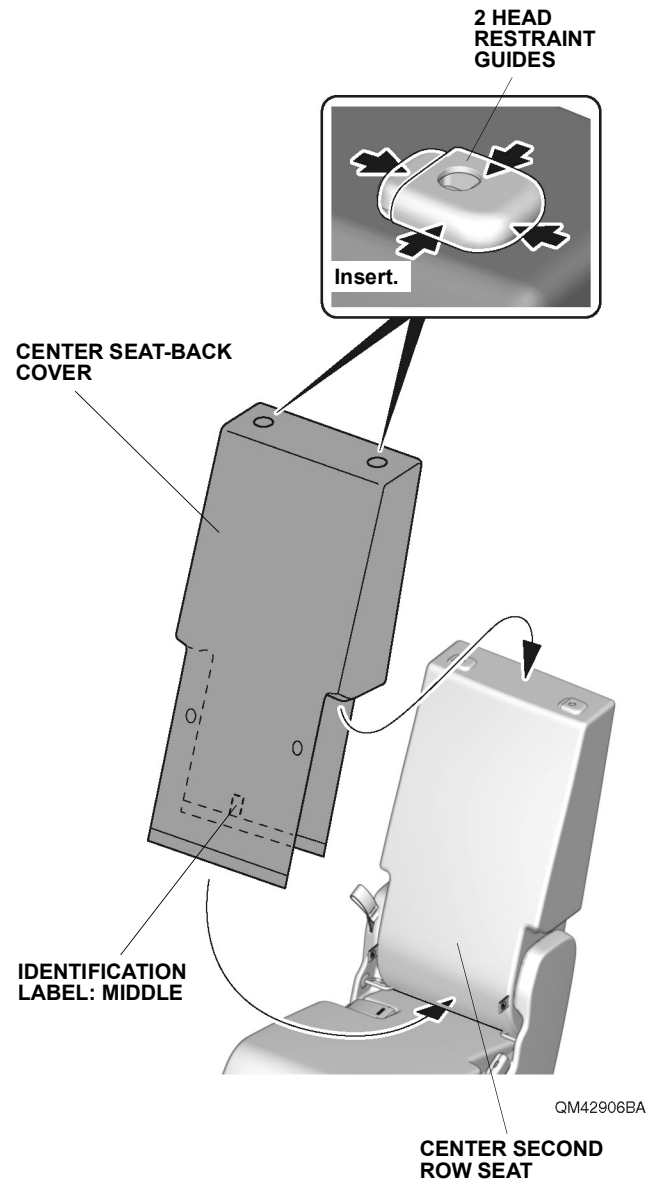
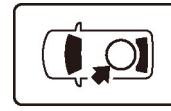
13. Repeat step 12 on the other side.

Go to step 21

14. Install the center seat-back cover.

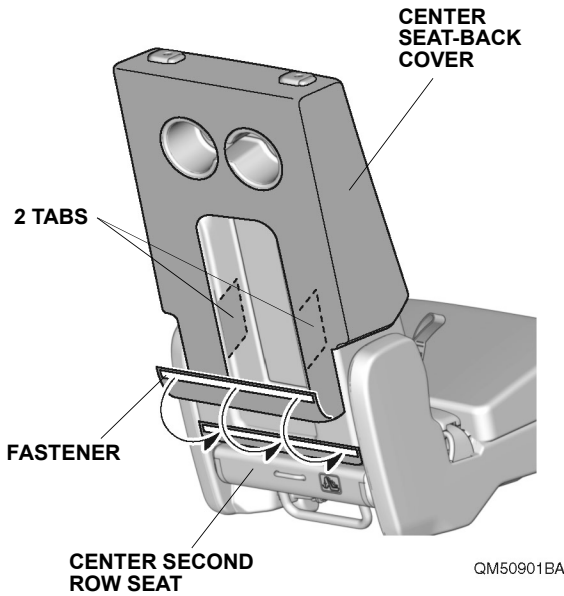
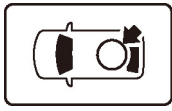
NOTE

- Make sure to check the identification label before installation.
- If the center second row seat is not in the in-use position of the vehicle, check in the seat storage area under the cargo lid. If the customer has removed it from the vehicle, give the center seat cover to them to install at a later time.

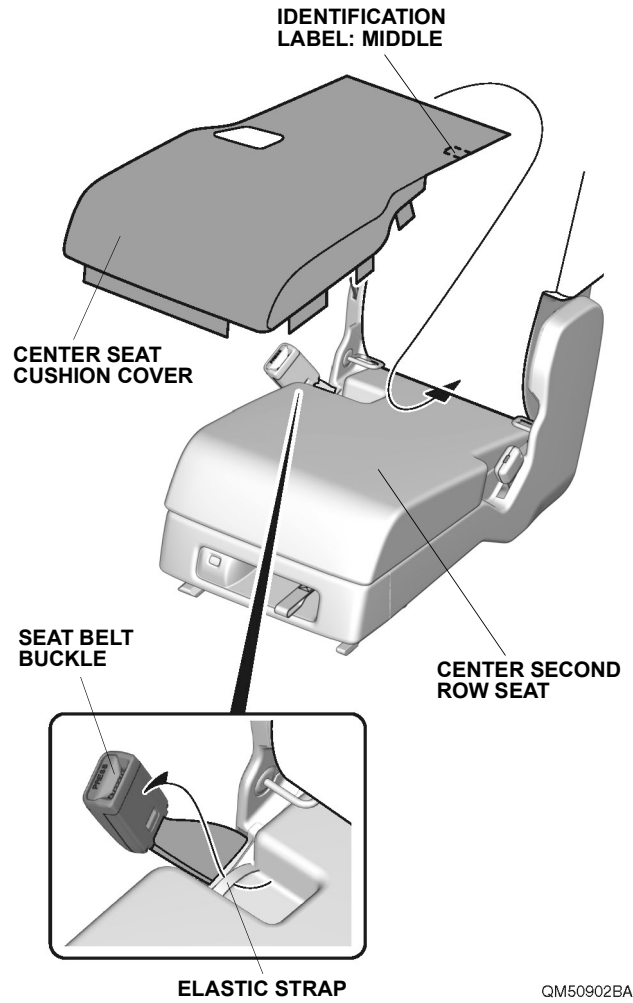
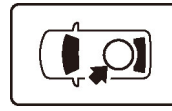


15. Secure the center seat-back cover.

Germain Honda of College Hills



16. Release the seat belt buckle.



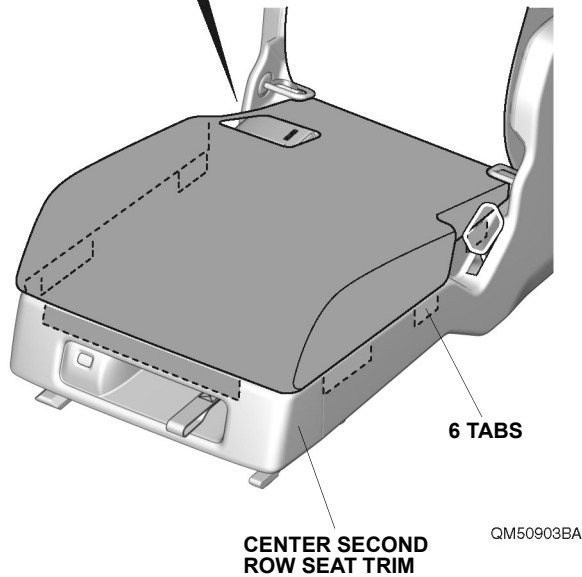
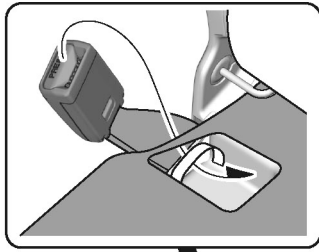
17. Install the center seat cushion cover.

NOTE

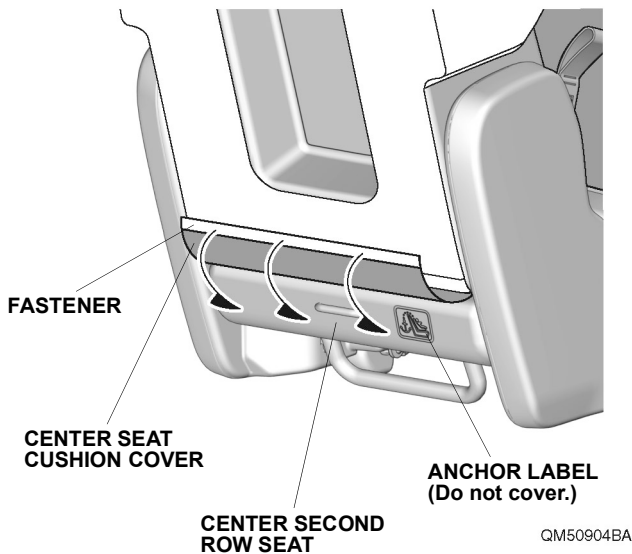
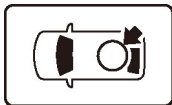
Make sure to check the identification label before installation.

18. Secure the center seat cushion cover.

Germain Honda of College Hills



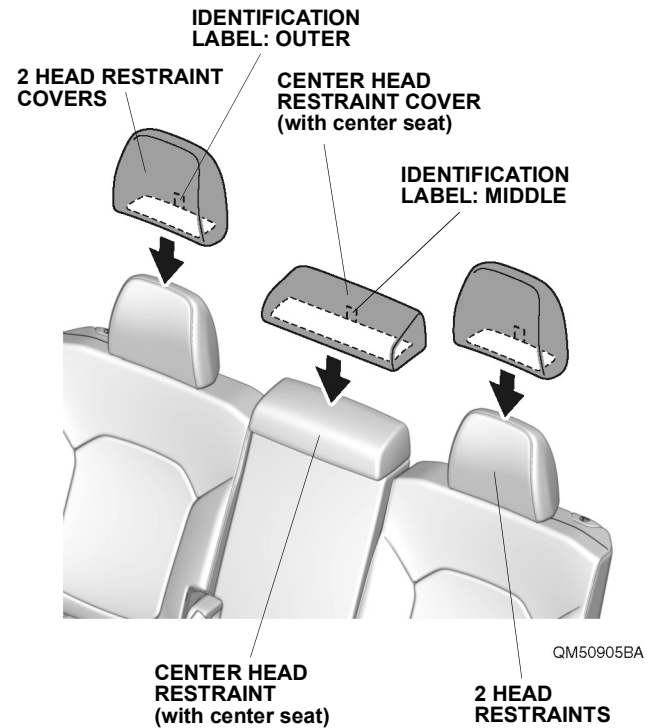
19. Secure the seat belt buckle.
20. Secure the center seat cushion cover.



21. Install the head restraints.
22. Install the head restraint covers.

NOTE

Make sure to check the identification label before installation.



23. Check that all parts are installed properly.