



## INSTALLATION INSTRUCTIONS

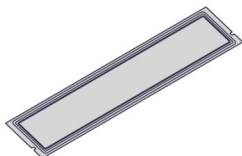
Accessory  
DOOR SILL  
PROTECTION FILM  
P/N 08P04-TG7-100

Application  
2022 PILOT

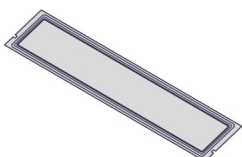
Publications No.  
**VERSION 1**  
Issue Date  
**JUL 2021**

### PARTS LIST

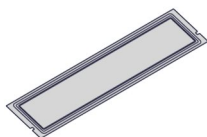
Left front door sill protection film  
(Identification mark: FR-L)



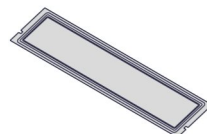
Right front door sill protection film  
(Identification mark: FR-R)



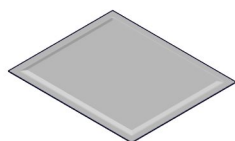
Left rear door sill protection film  
(Identification mark: RR-L)



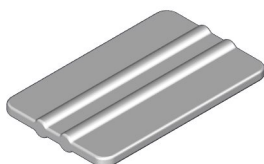
Right rear door sill protection film  
(Identification mark: RR-R)



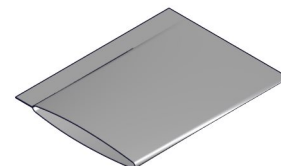
4 Alcohol wipes



Applicator



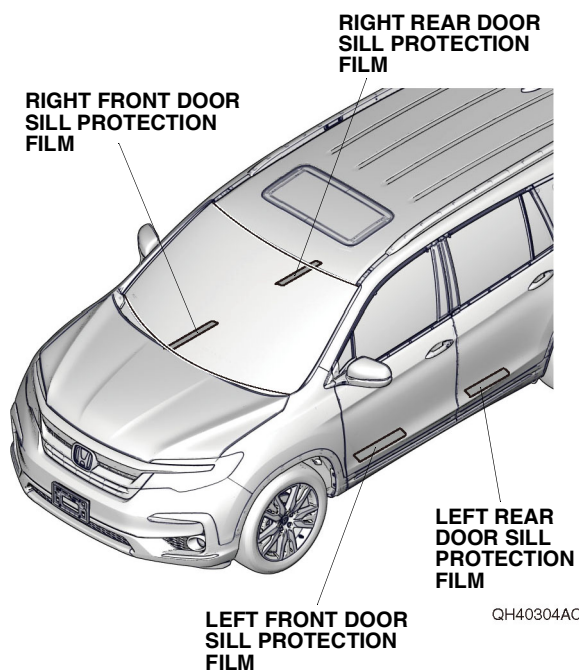
Felt sleeve



### TOOLS AND SUPPLIES REQUIRED

- Shop towel
- Spray bottle
- 3M protective tape application solution
- Masking tape
- Felt-tip pen
- Ruler
- Gloves

### Illustration of the Door Sill Protection Film Installed on the Vehicle



## INSTALLATION

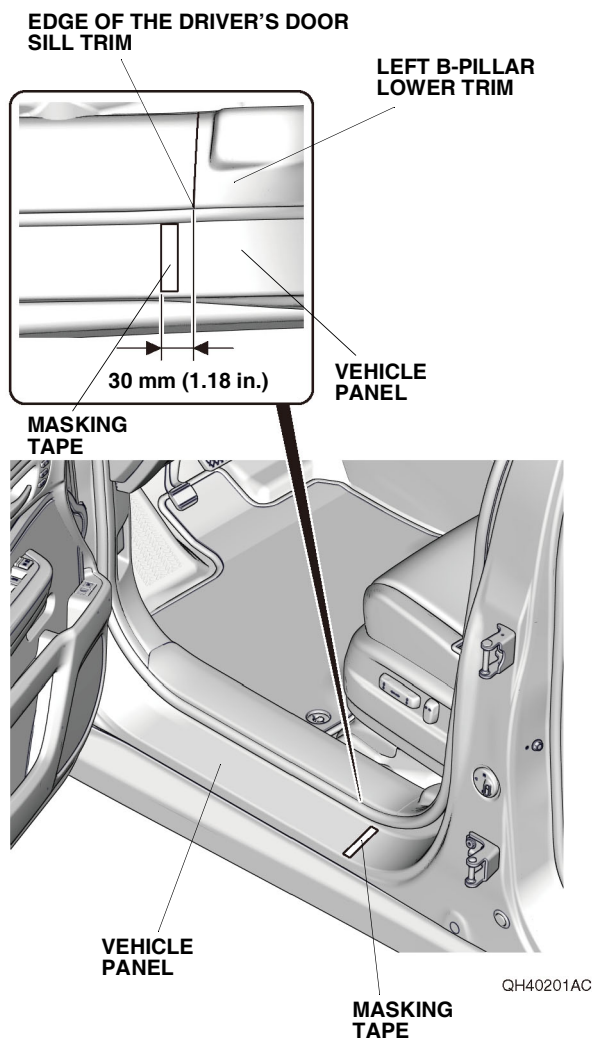
**Customer Information:** The information in this installation instruction is intended for use only by skilled technicians who have the proper tools, equipment, and training to correctly and safely add equipment to your vehicle. These procedures should not be attempted by “do-it-yourselfers.”

### NOTE:

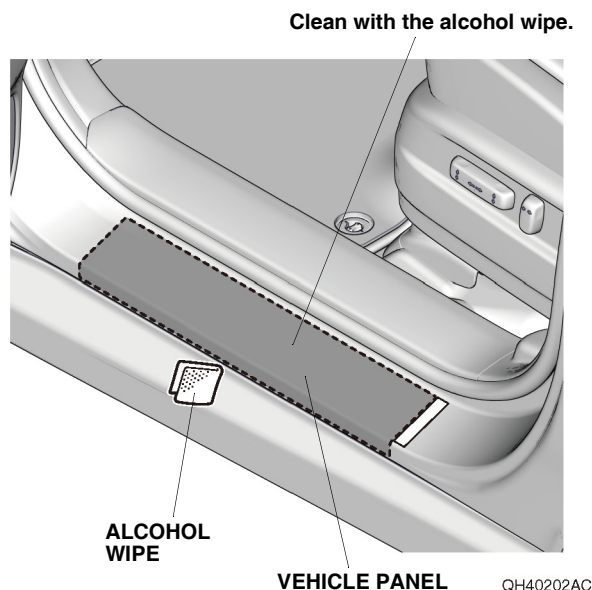
- Always wear gloves when working with 3M Protective tape application solution.
- Be careful not to damage the body paint finish.
- This kit should only be installed if the ambient air temperature is 60°F (15°C) or above.
- To allow the adhesive to cure, do not wash the vehicle for 24 hours. Make sure the customer is aware of this.

### Installing the Door Sill Protection Film

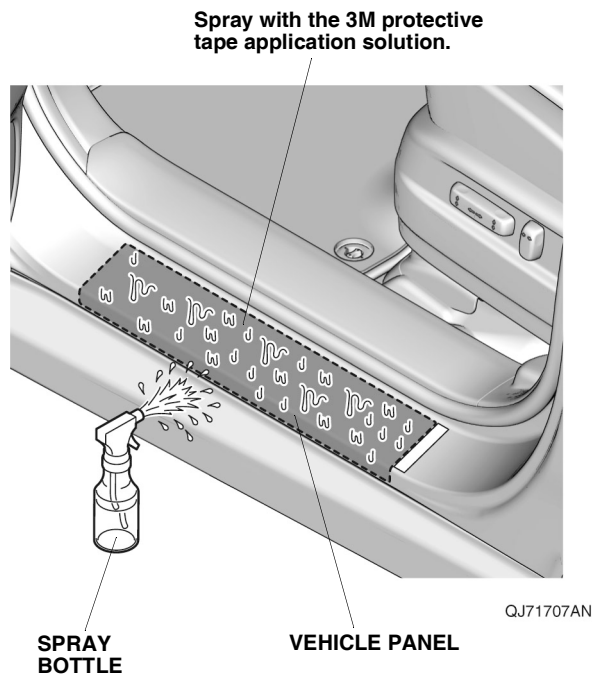
1. Open the left front door, and apply masking tape to the vehicle panel as shown.



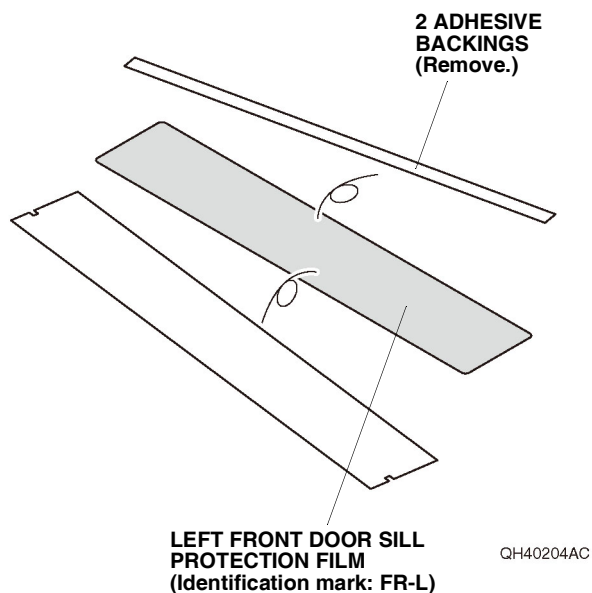
2. Using the alcohol wipe, thoroughly clean the vehicle panel where the left front door sill protection film will attach.



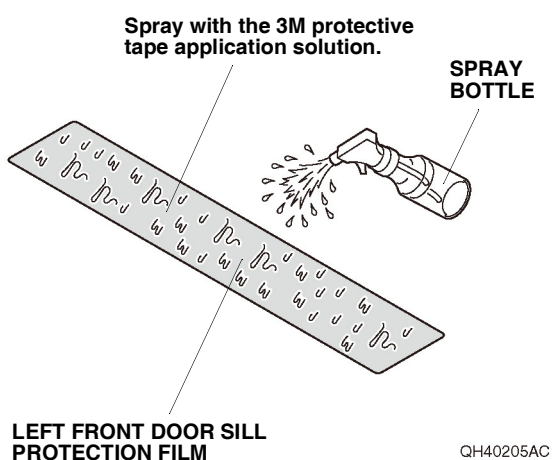
3. Using a spray bottle with the 3M protective tape application solution, spray the vehicle panel where the left front door sill protection film will attach.



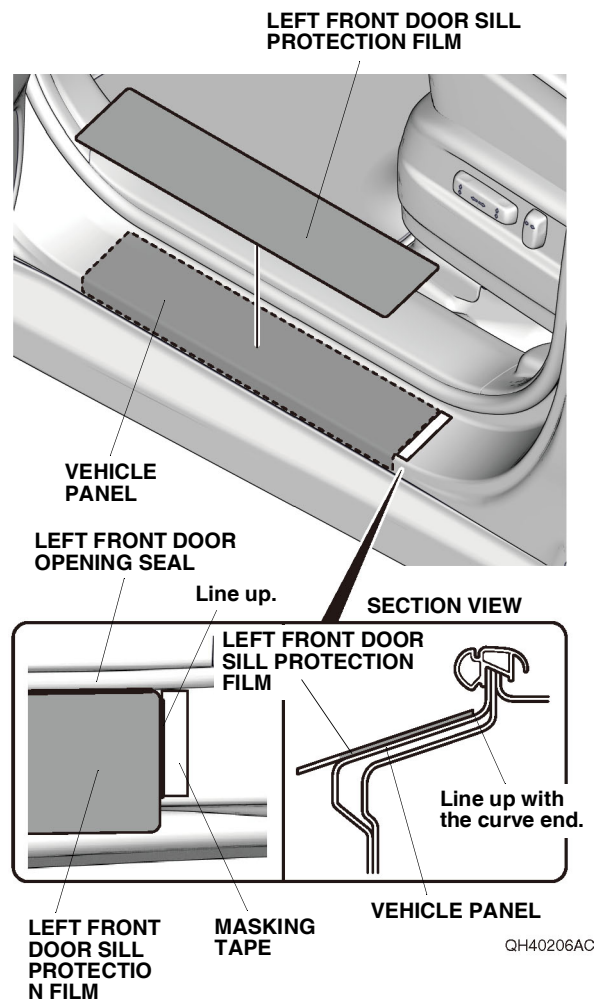
- Remove the adhesive backings from the left front door sill protection film.  
NOTE: Check the identification mark of the left front door sill protection film.



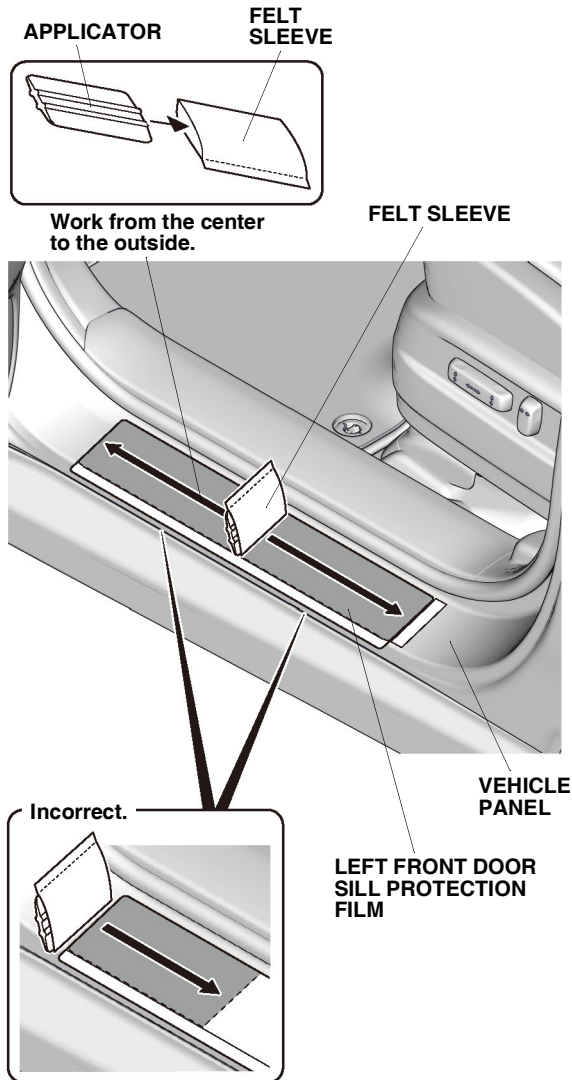
- Spray the left front door sill protection film with the 3M protective tape application solution.



- Line up the left front door sill protection film with the curve end and masking tape as shown. Then, attach it to the vehicle panel.



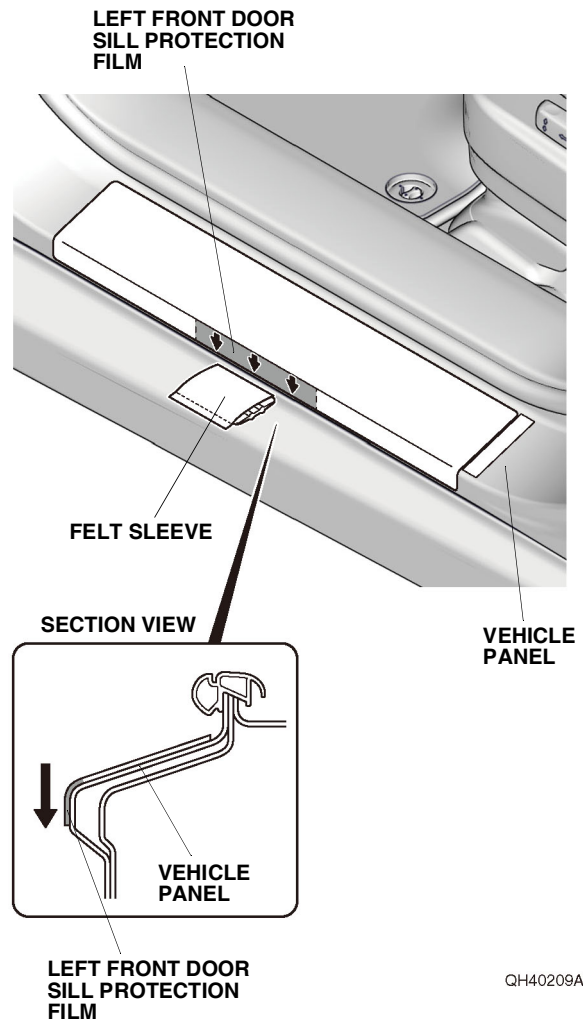
7. Insert the applicator into the felt sleeve.



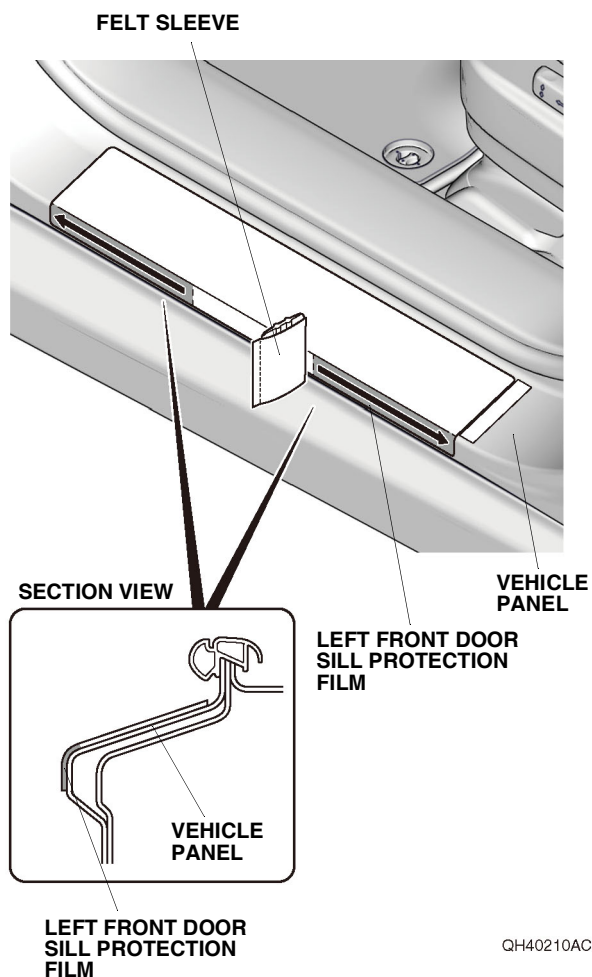
QH40208BC

8. Starting from the inside and working outward, use the felt sleeve to smooth out the left and right sides of the upper section of the left front door sill protection film. Move the felt sleeve in one direction only. If you see an air bubble, stop and gently peel up that section to work out the bubble. Work slowly, and keep pressure against the left front door sill protection film.

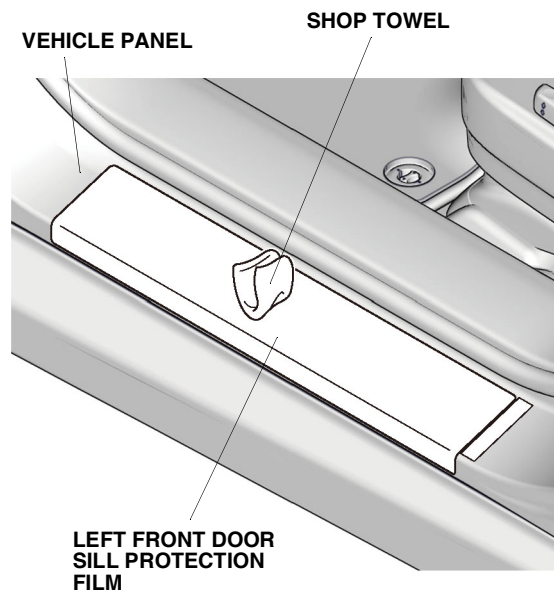
9. Repeat step 8 at the rear side of the lower section on the left front door sill protection film.



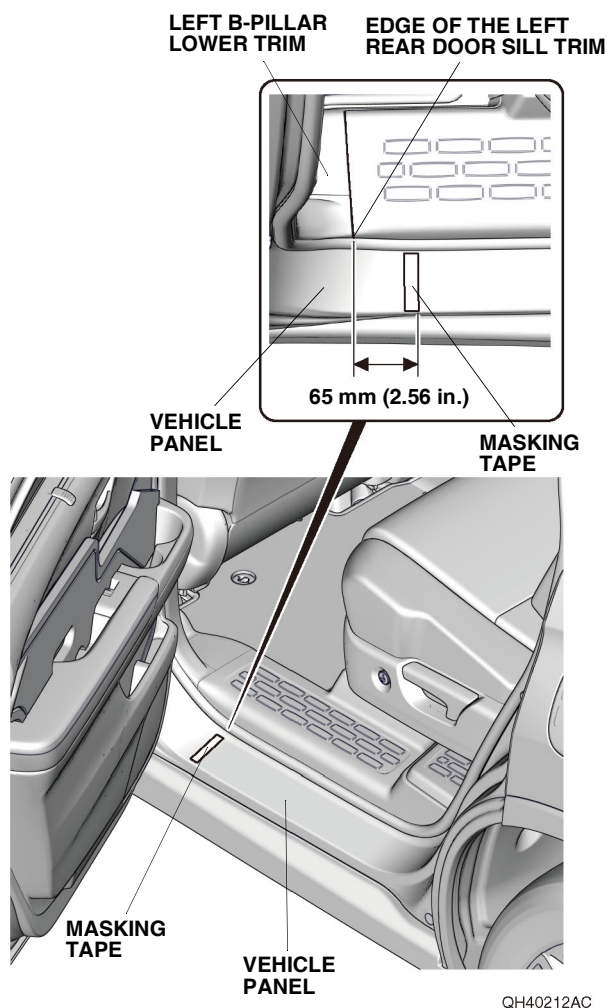
- Starting from the center and working outward, use the felt sleeve to smooth out the left and right sides of the lower section on the left front door sill protection film. Move the felt sleeve in one direction only. If you see an air bubble, stop and gently peel up that section to work out the bubble. Work slowly, and keep pressure against the left front door sill protection film.



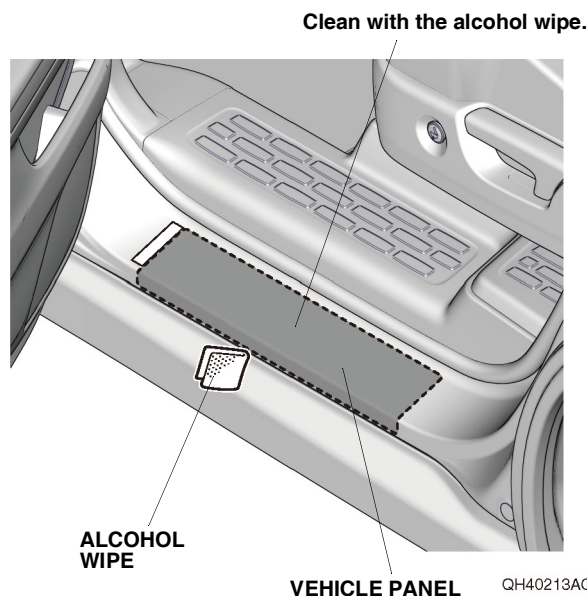
- Using a shop towel, wipe off the 3M protective tape application solution. Allow the left front door sill protection film to dry thoroughly. Remove the masking tape.



12. Open the left rear door, and apply masking tape to the vehicle panel as shown.

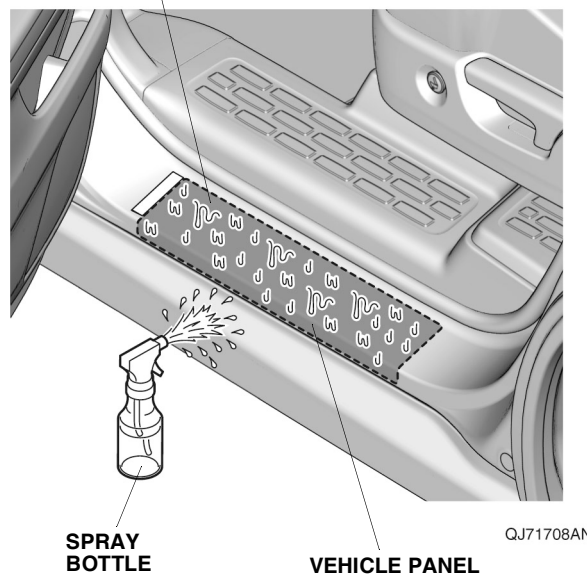


13. Using the alcohol wipe, thoroughly clean the vehicle panel where the left rear door sill protection film will attach.

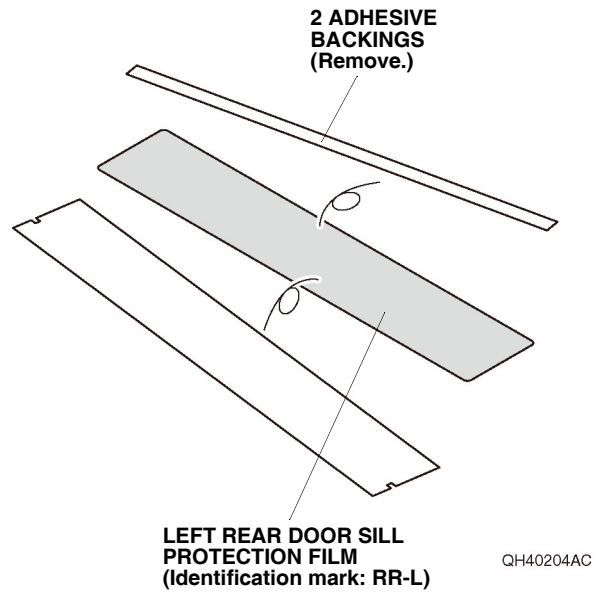


14. Using a spray bottle with the 3M protective tape application solution, spray the vehicle panel where the left rear door sill protection film will attach.

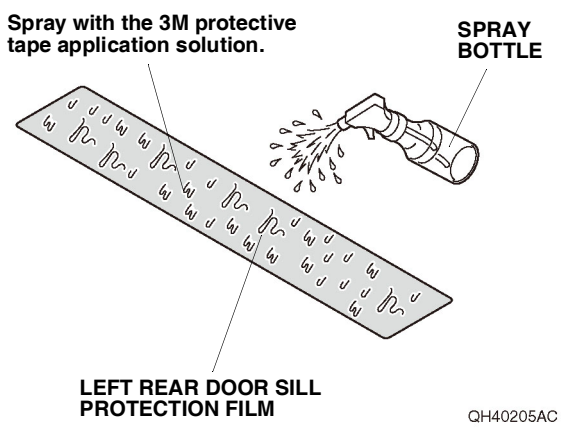
**Spray with the 3M protective tape application solution.**



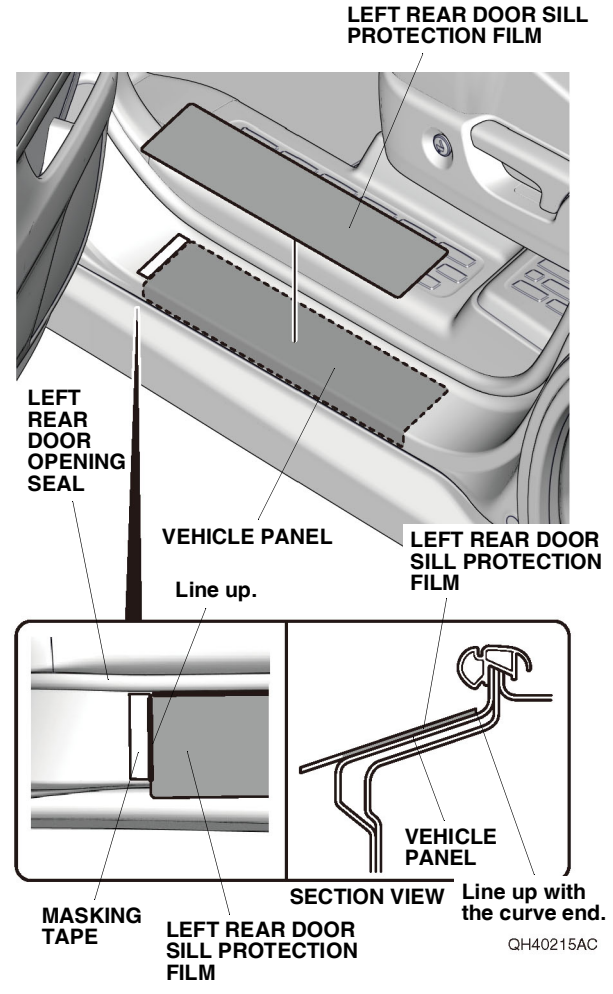
15. Remove the adhesive backings from the left rear door sill protection film.  
 NOTE: Check the identification mark of the left rear door sill protection film.



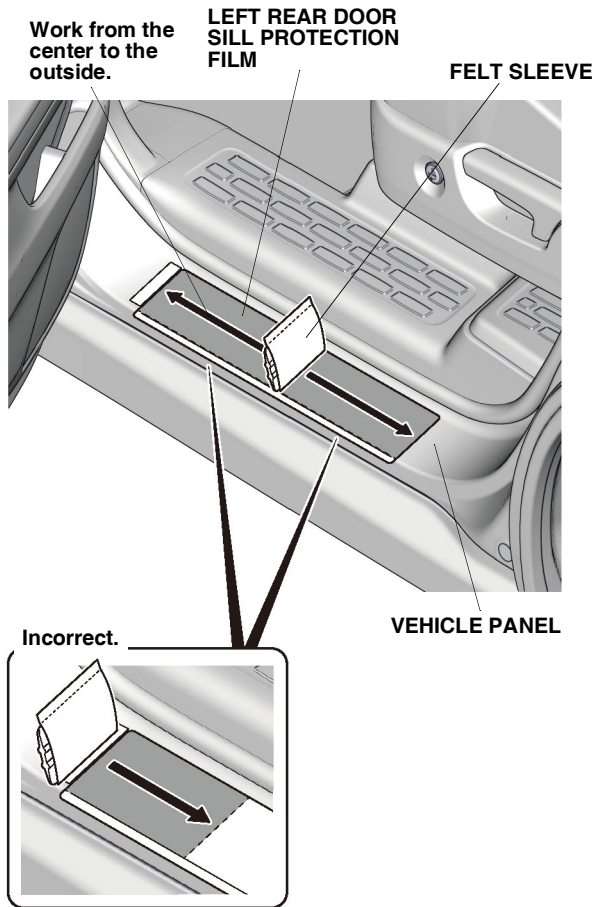
16. Spray the left rear door sill protection film with the 3M protective tape application solution.



17. Line up the left rear door sill protection film with the curve end and masking tape as shown. Then, attach it to the vehicle panel.

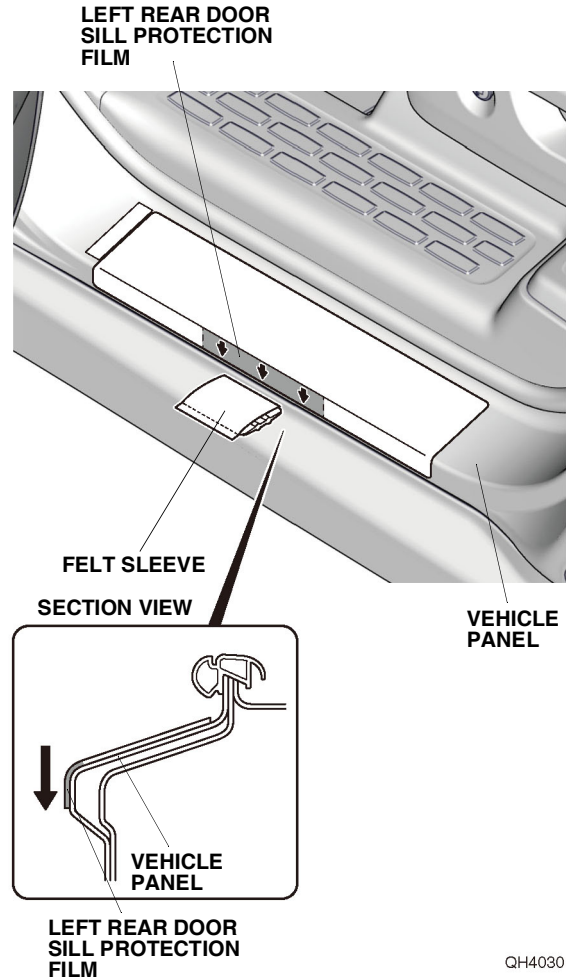


18. Starting from the inside and working outward, use the felt sleeve to smooth out the left and right sides of the upper section of the left rear door sill protection film. Move the felt sleeve in one direction only. If you see an air bubble, stop and gently peel up that section to work out the bubble. Work slowly, and keep pressure against the left rear door sill protection film.



QH40217BC

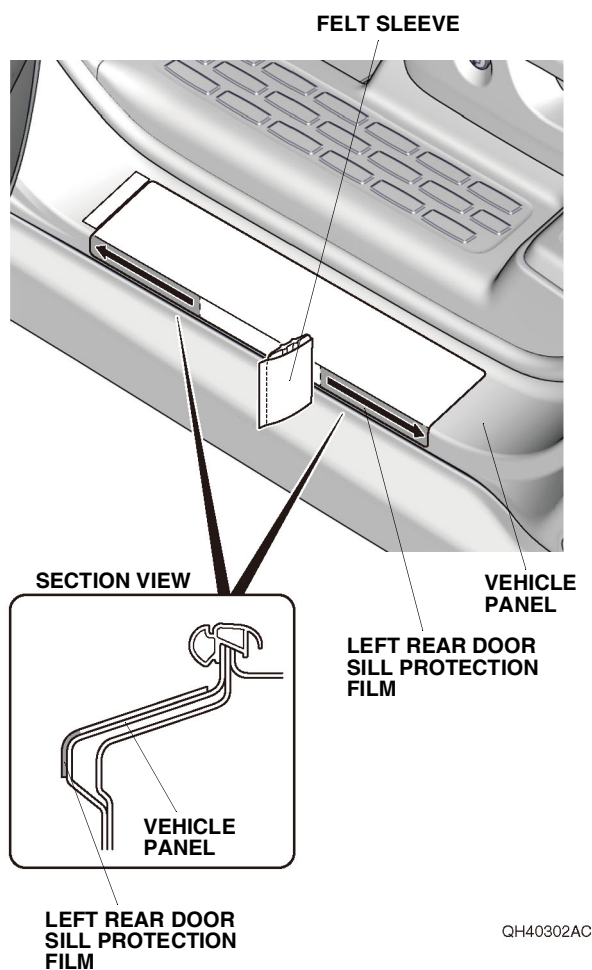
19. Starting from the center and working outward, use the felt sleeve to smooth out the left and right sides of the upper section on the left rear door sill protection film. Move the felt sleeve in one direction only. If you see an air bubble, stop and gently peel up that section to work out the bubble. Work slowly, and keep pressure against the left rear door sill protection film.



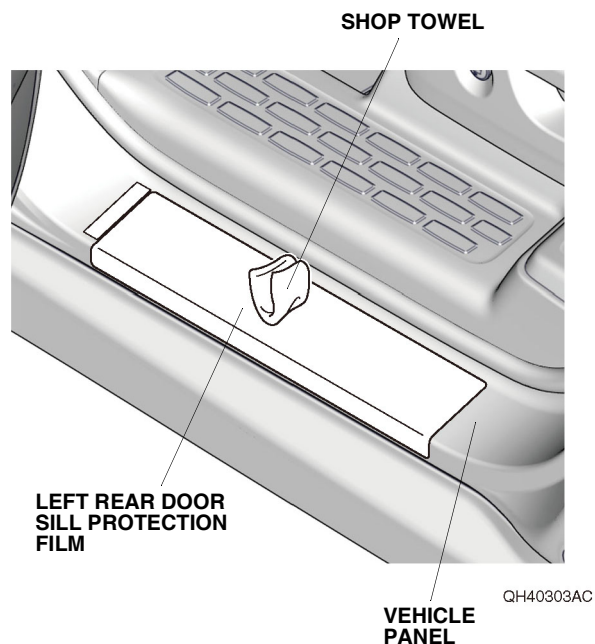
QH40301AC



20. Repeat step 18 at the rear side of the lower section on the left rear door sill protection film.



21. Using a shop towel, wipe off the 3M protective tape application solution. Allow the left rear door sill protection film to dry thoroughly. Remove the masking tape.



22. Repeat steps 1 through 21 on the right side of the vehicle.