



## INSTALLATION INSTRUCTIONS

Accessory  
BUMPER TRIM

Application  
2022 PILOT

Publications No.  
VERSION 1

Issue Date  
JUL 2021

### PARTS LIST

**Bumper Trim Kit**  
P/N 08F23-TG7-100A  
P/N 08F23-TG7-100B

Left front bumper trim



Right front bumper trim



Left rear bumper trim



Right rear bumper trim



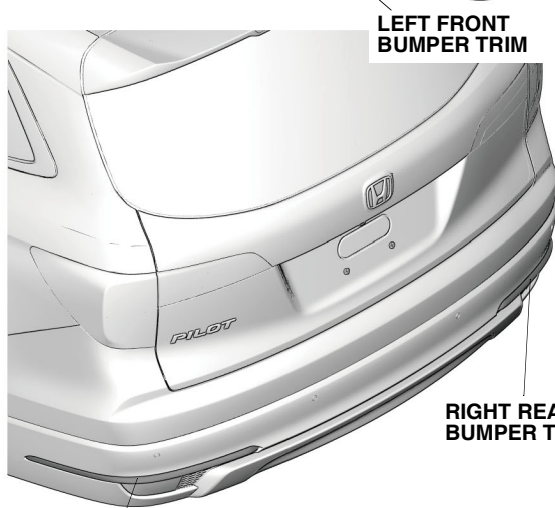
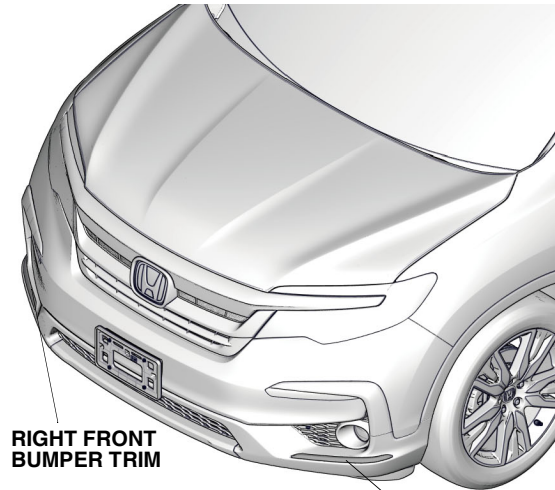
### TOOLS AND SUPPLIES REQUIRED

- Phillips screwdriver
- 10 mm Open end wrench
- Masking tape
- Blanket
- 10 mm Socket
- Ratchet
- 5 mm Hex wrench
- Shop towel
- Flat-tip screwdriver

*The following tools are available through the Honda Tool and Equipment Program. On the iN, click on Service > Service Bay > Tool and Equipment Program, then enter the number under "Search." Or, call 888-424-6857.*

- Trim Tool Set (T/N SOJATP2014)
- Plastic Trim Tool (T/N SILTRIMTL10)

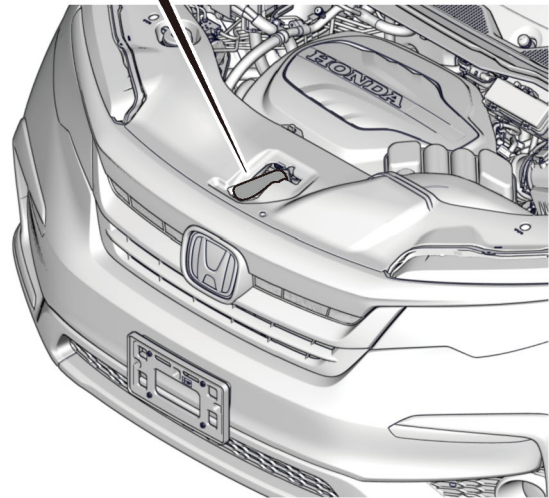
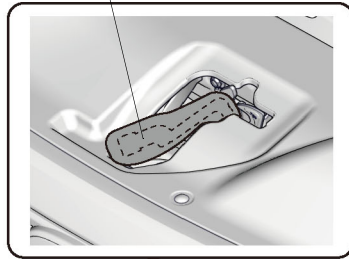
## Illustration of the Bumper Trim on the Vehicle



QH40601AN

1. Disconnect the negative cable from the battery:
  - Wrap a shop towel around the hood latch.

**HOOD LATCH**  
(Wrap with a shop towel.)

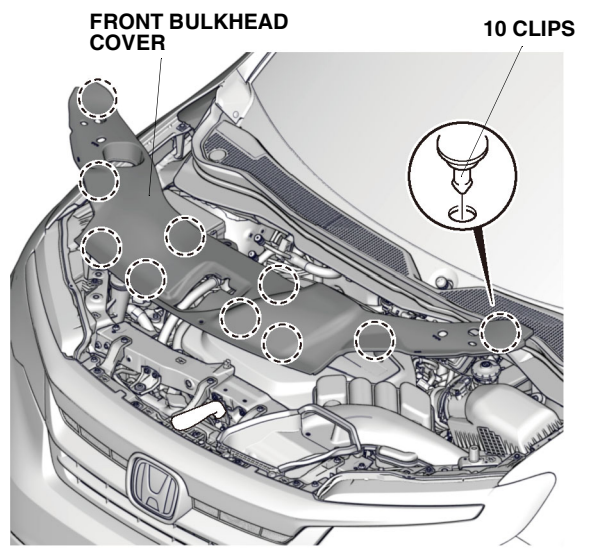


QH21201AB

## INSTALLATION

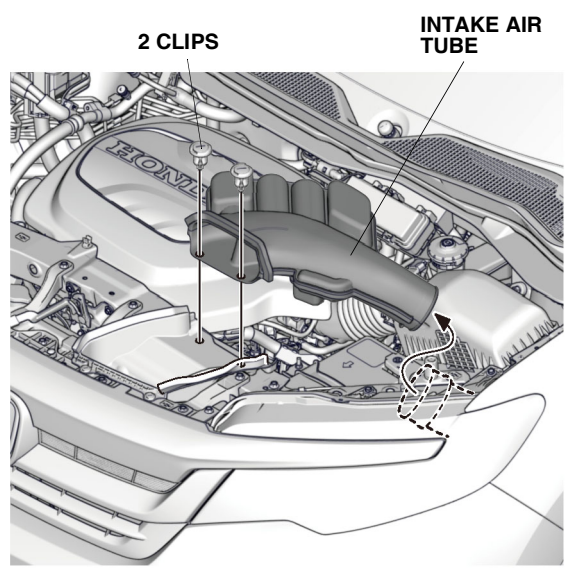
**Customer Information:** The information in this installation instruction is intended for use only by skilled technicians who have the proper tools, equipment, and training to correctly and safely add equipment to your vehicle. These procedures should not be attempted by “do-it-yourselfers.”

- Remove the front bulkhead cover.



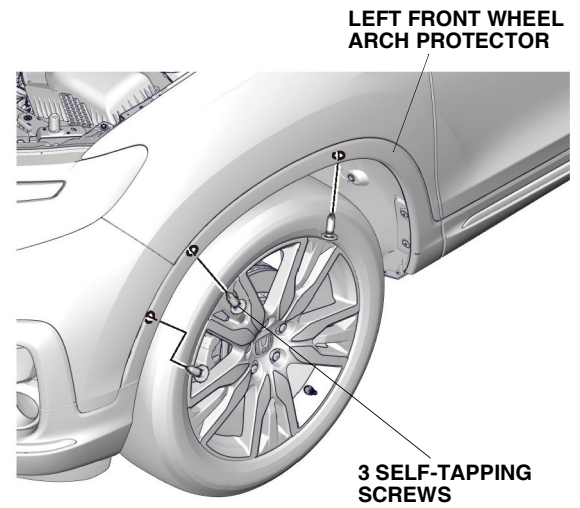
QH21202AB

- Remove the intake air tube.
- Disconnect the negative cable from the battery.



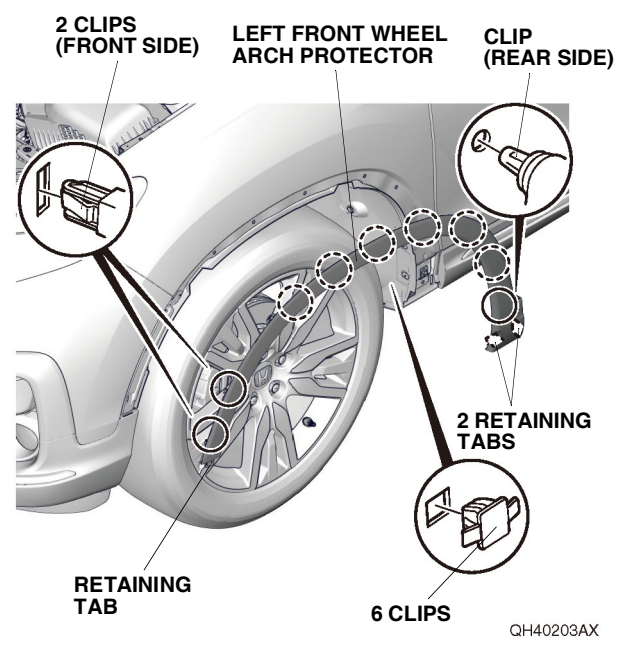
QH21203AB

- Remove the three self-tapping screws.



QH40202AX

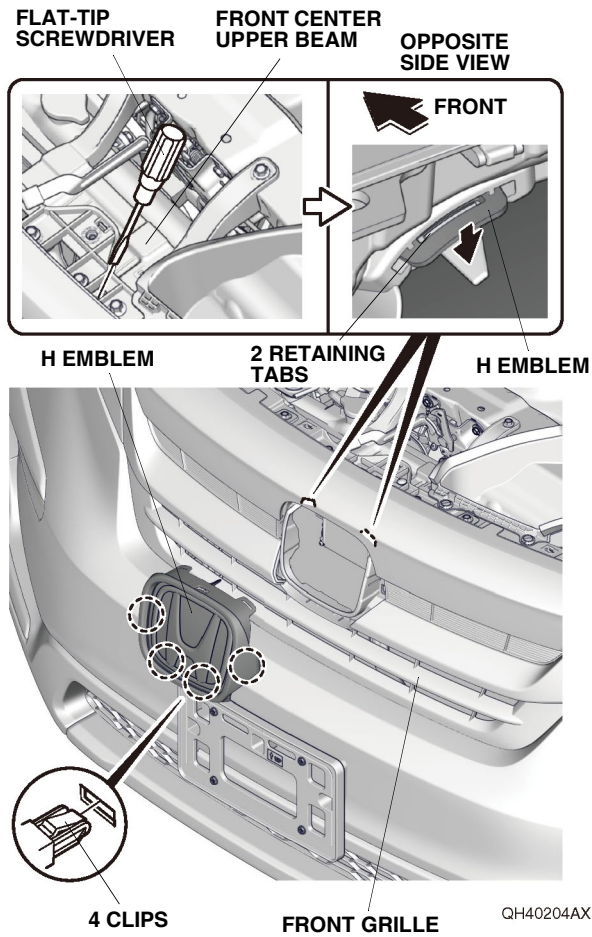
- Remove the left front wheel arch protector.



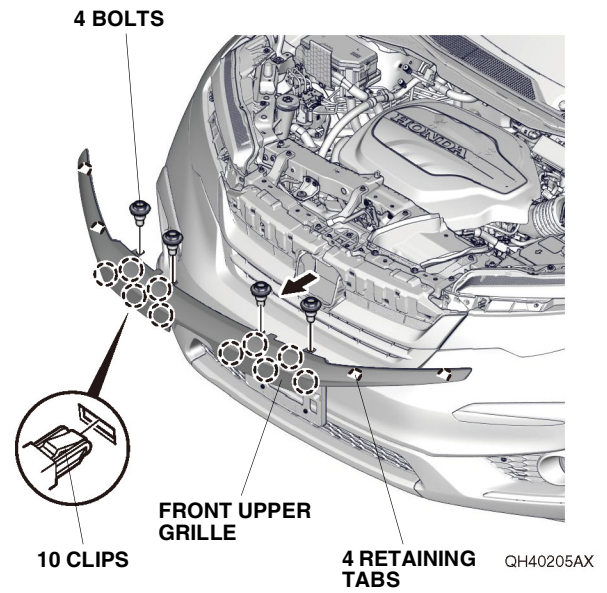
QH40203AX

- Repeat steps 2 and 3 on the right side of the vehicle.
- Remove the front bumper:

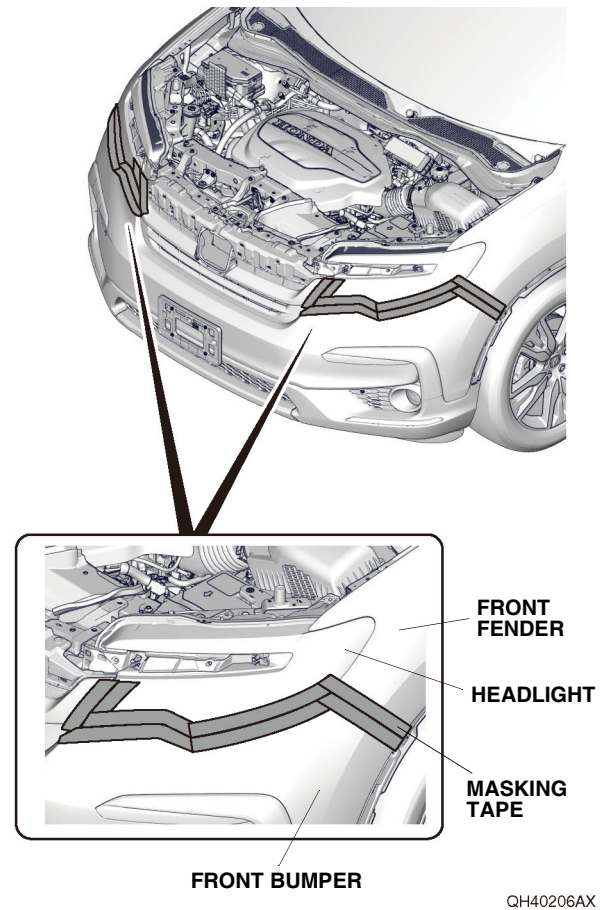
- Using a flat-tip screwdriver, remove the H emblem.



- Remove the front upper grille.

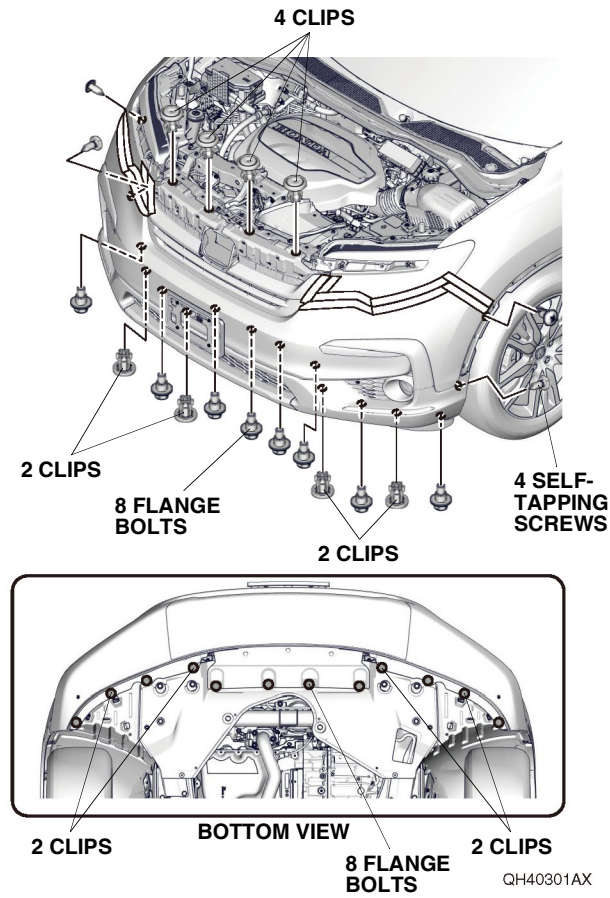


- Apply masking tape as shown.

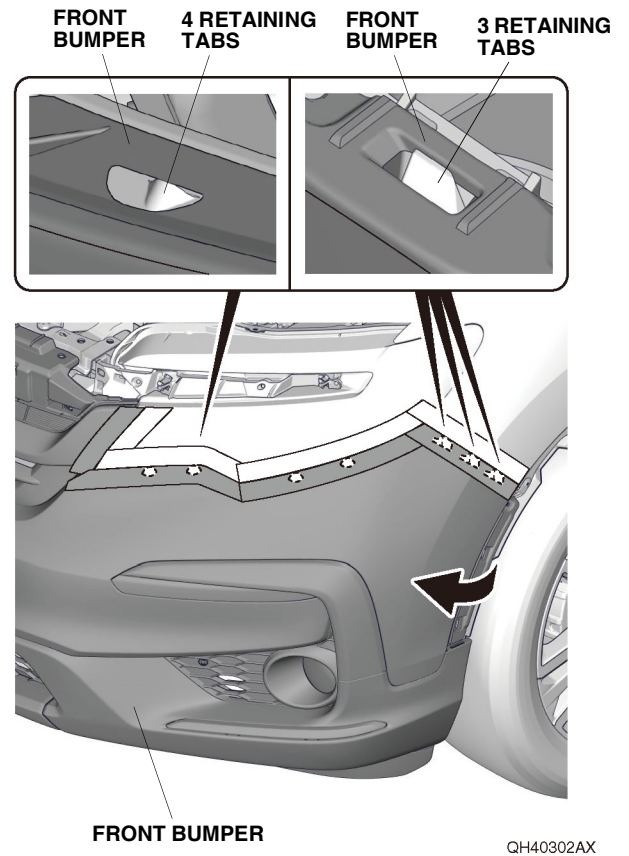




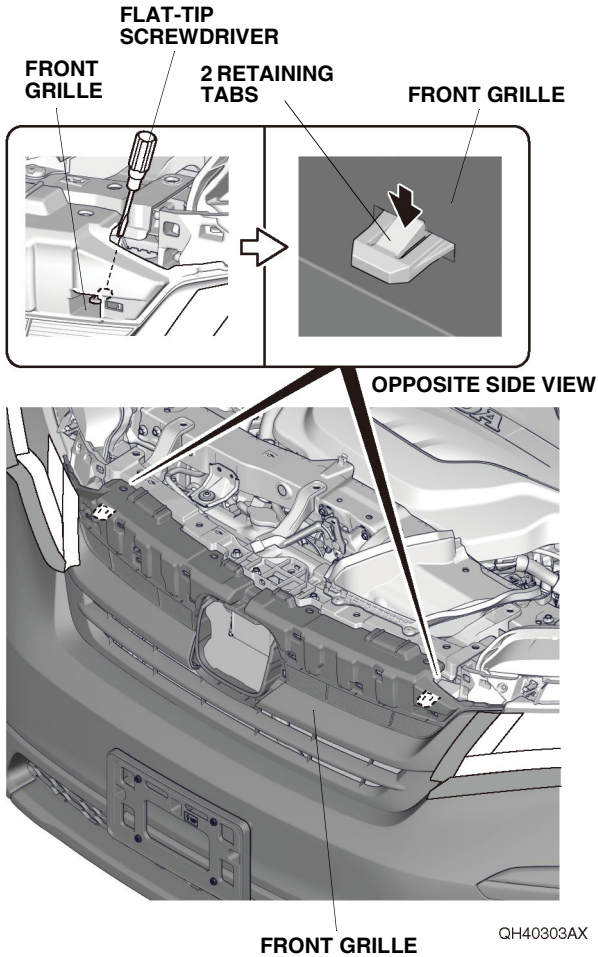
- Remove the four self-tapping screws, eight clips, and eight flange bolts.



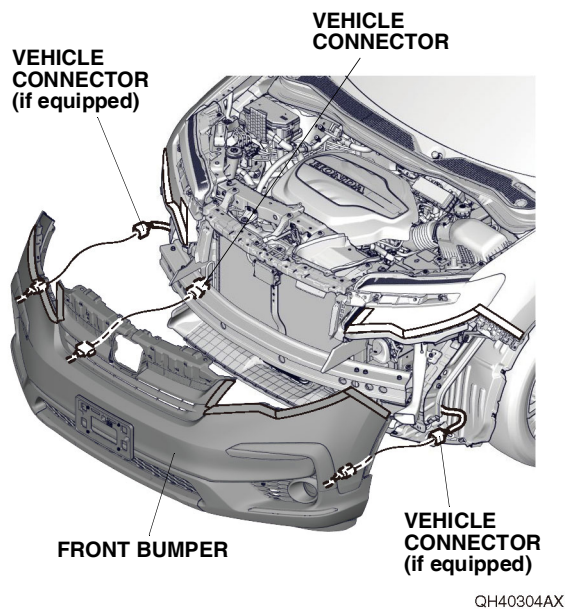
- With the help of an assistant, release the seven retaining tabs on each side.



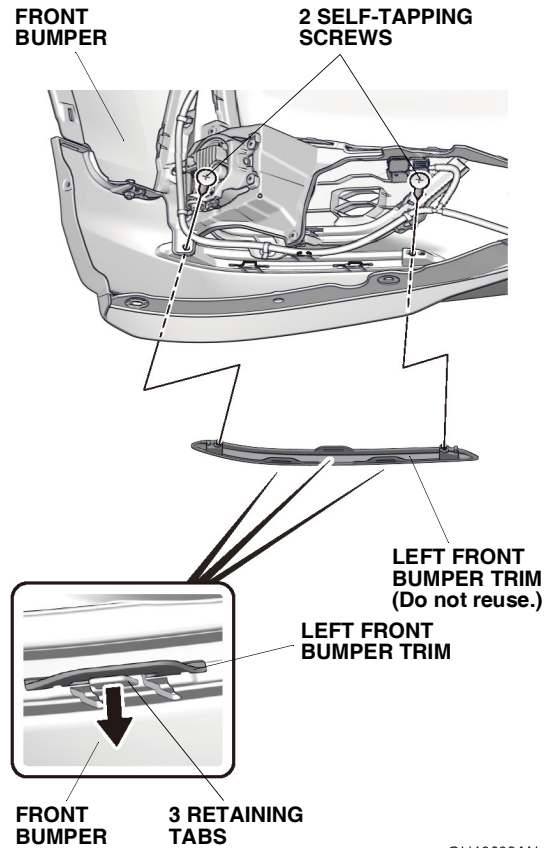
- Release the front grille.



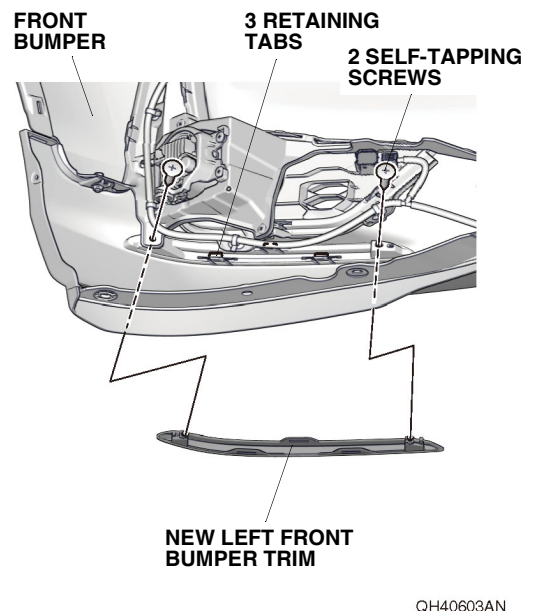
- With the help of an assistant, remove the front bumper, and unplug the vehicle connectors.
- Place the front bumper on a blanket.



6. Remove the left front bumper trim from the front bumper.

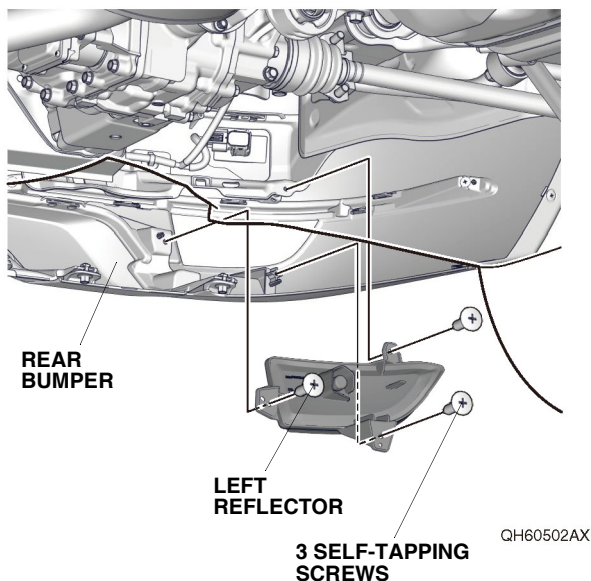


7. Install the new left front bumper trim to the front bumper with two self-tapping screws and three retaining tabs.

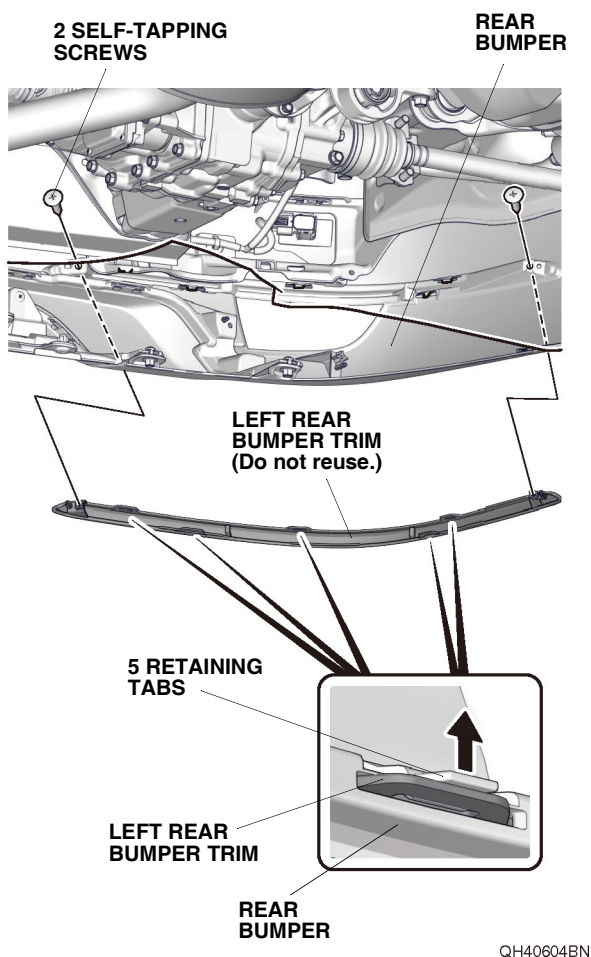


8. Repeat steps 6 and 7 on the right side of the front bumper.

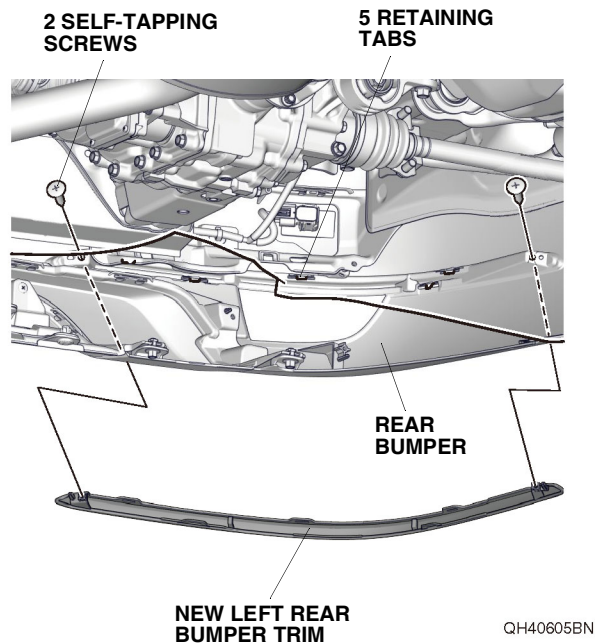
9. Remove the left rear reflector from the rear bumper.



10. Remove the left rear bumper trim from the rear bumper.



11. Install the new left rear bumper trim to the rear bumper with two self-tapping screws and five retaining tabs.



12. Repeat steps 9 through 11 on the right side of the vehicle.
13. Check that all wire harnesses are routed properly and all connectors are plugged in.
14. Install all removed parts except for the front bulkhead cover and the intake air tube.
15. Connect the negative cable to the battery.
16. Install the front bulkhead cover and the intake air tube.
17. Press and hold the audio unit power button for 2 seconds to restore the audio and navi (if equipped) system functions.
18. Set the clock on vehicles without navigation.
19. If necessary, restore the systems back to normal operation as described in the service information.