



## INSTALLATION INSTRUCTIONS

Accessory  
**RUNNING BOARD LIGHTS**  
 P/N 08L33-TG7-100A  
 P/N 08L33-TG7-100C

Application  
**2020 PILOT**

Publications No.  
**VERSION 1**  
 Issue Date  
**JUL 2019**

### PARTS LIST

Left running board



Right running board



Left bracket A



Right bracket A



Left bracket C



Right bracket C



16 Flange bolts



19 Wire ties  
 (Some may not be used)



Fuse label



2 Aluminum tapes



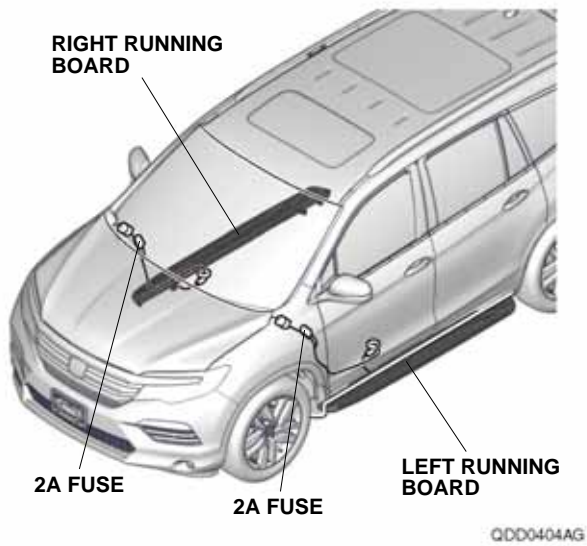
### TOOLS AND SUPPLIES REQUIRED

- Ratchet
- 10 mm Open end wrench
- Isopropyl alcohol
- Shop towel
- File
- 13 mm Socket
- Torque wrench
- Utility knife
- Diagonal cutters
- Touch-up paint

*The following tool is available through the Honda Tool and Equipment Program. On the iN, click on Service > Service Bay > Tool and Equipment Program, then enter the number under "Search". Or, call 888-424-6857.*

- Trim Tool Set (T/N SOJATP2014)
- Plastic Trim Tool (T/N SILTRIMTL10)

## Illustration of the Running Board Lights on the Vehicle

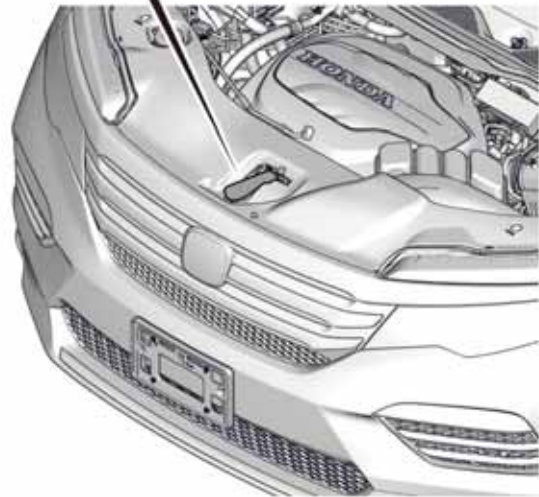
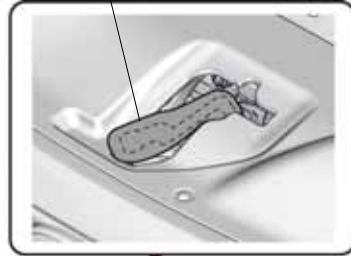


## INSTALLATION

**Customer Information:** The information in this installation instruction is intended for use only by skilled technicians who have the proper tools, equipment, and training to correctly and safely add equipment to your vehicle. These procedures should not be attempted by “do-it-yourselfers.”

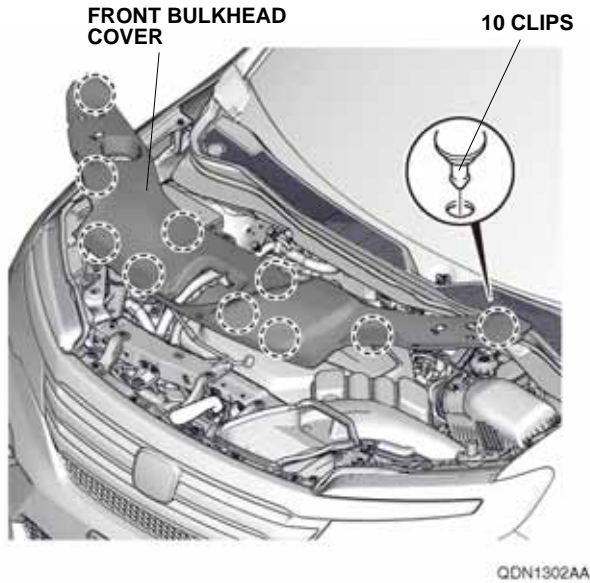
1. Wrap a shop towel around the hood latch.

HOOD LATCH  
(Wrap with a shop towel.)

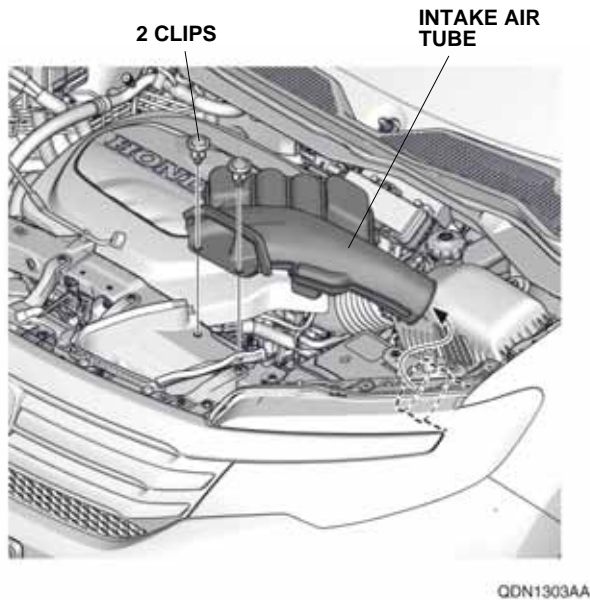


QDN1301AA

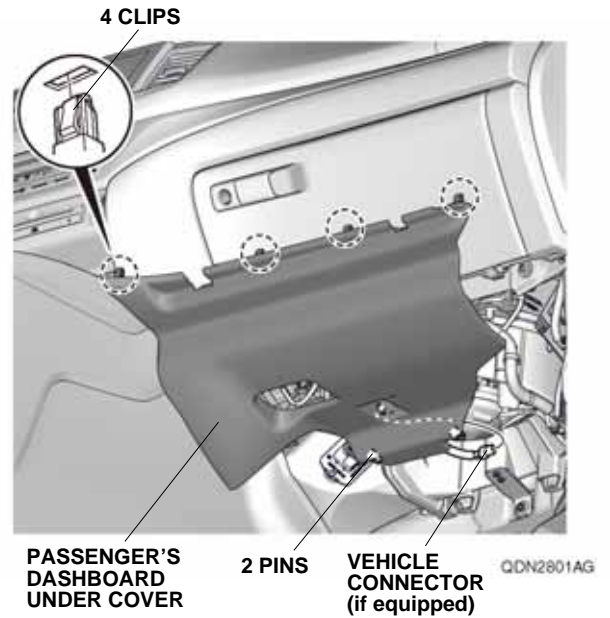
- Remove the front bulkhead cover.



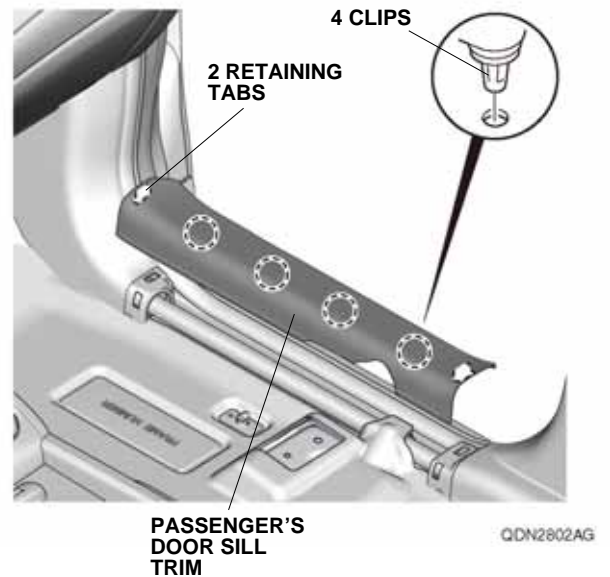
- Remove the intake air tube.
- Disconnect the negative cable from the battery, then wait at least 3 minutes before starting work.



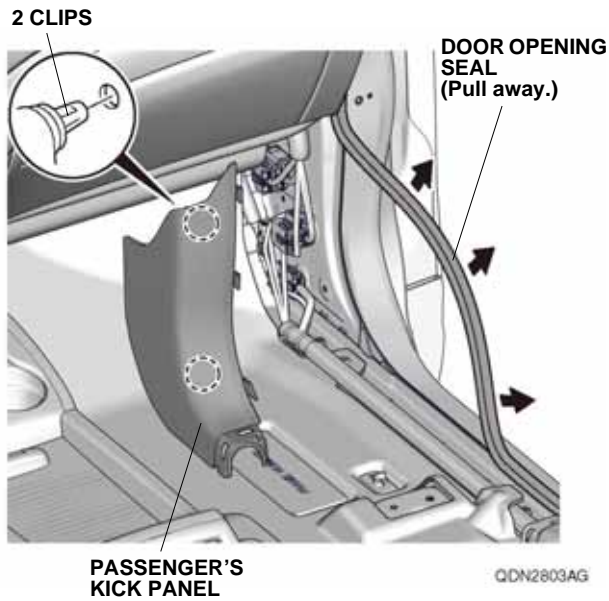
- Remove the passenger's dashboard under cover and unplug the vehicle connector.



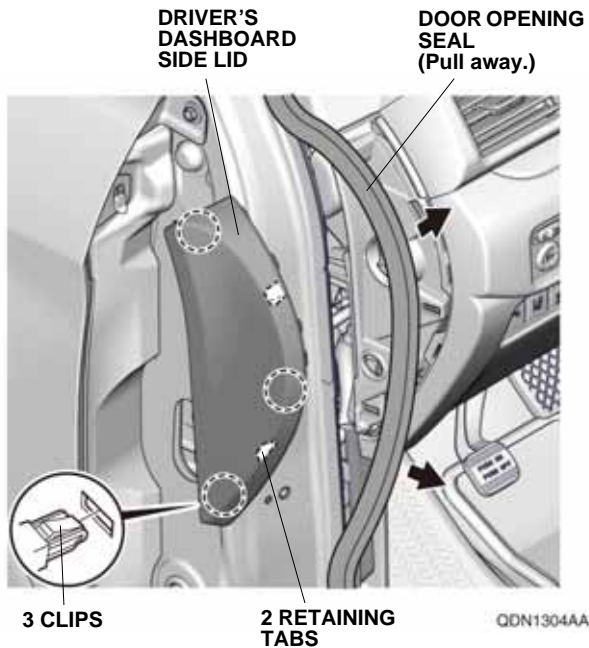
- Remove the passenger's door sill trim.



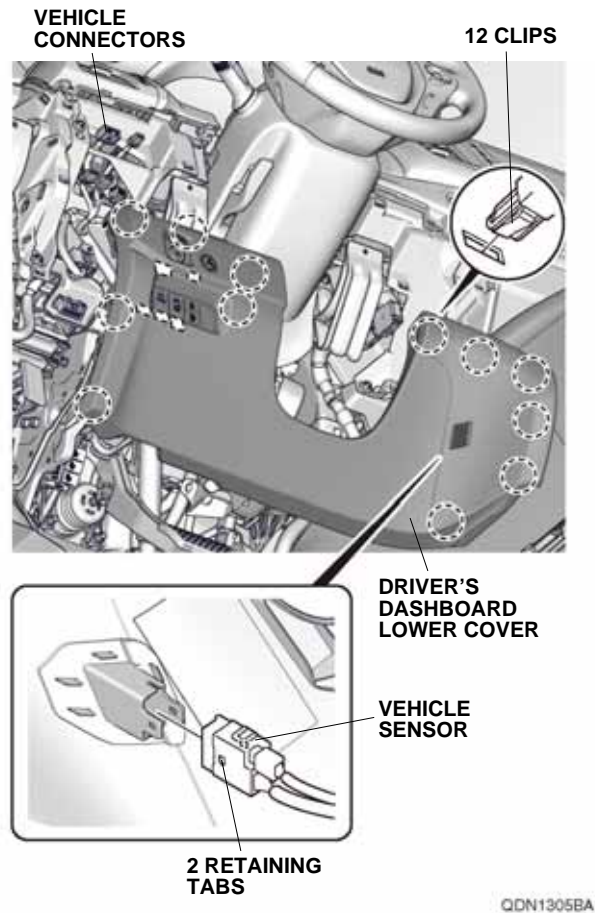
4. Pull away the door opening seal, and remove the passenger's kick panel.



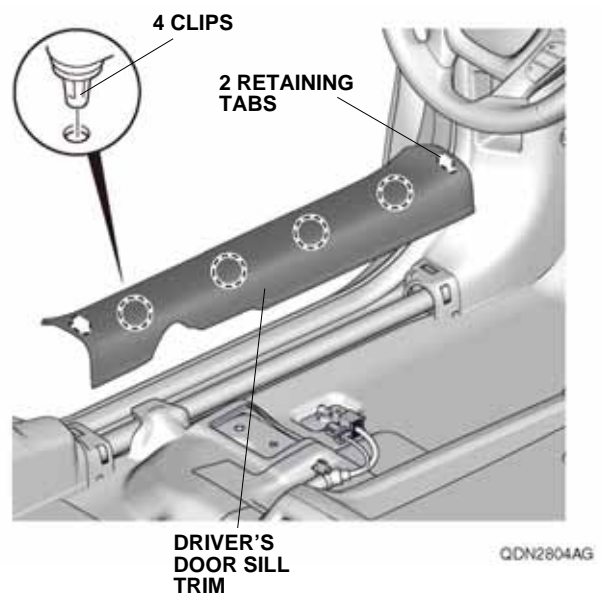
5. Pull away the door opening seal, and remove the driver's dashboard side lid.



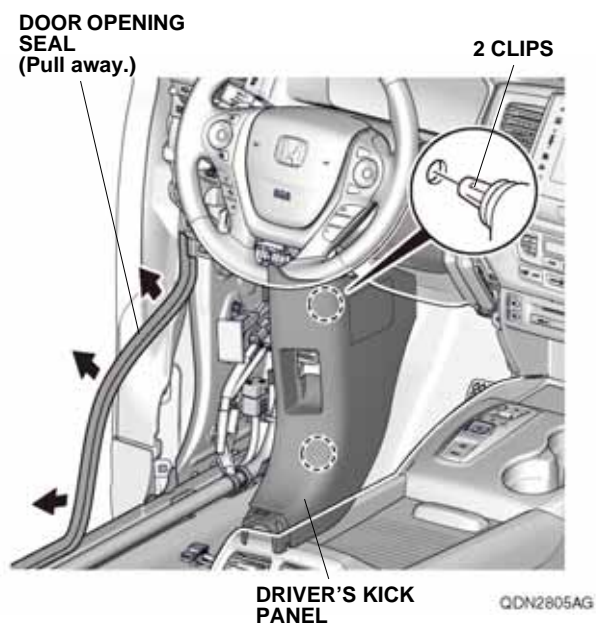
6. Remove the driver's dashboard lower cover, unplug the vehicle connectors, and release the vehicle sensor.



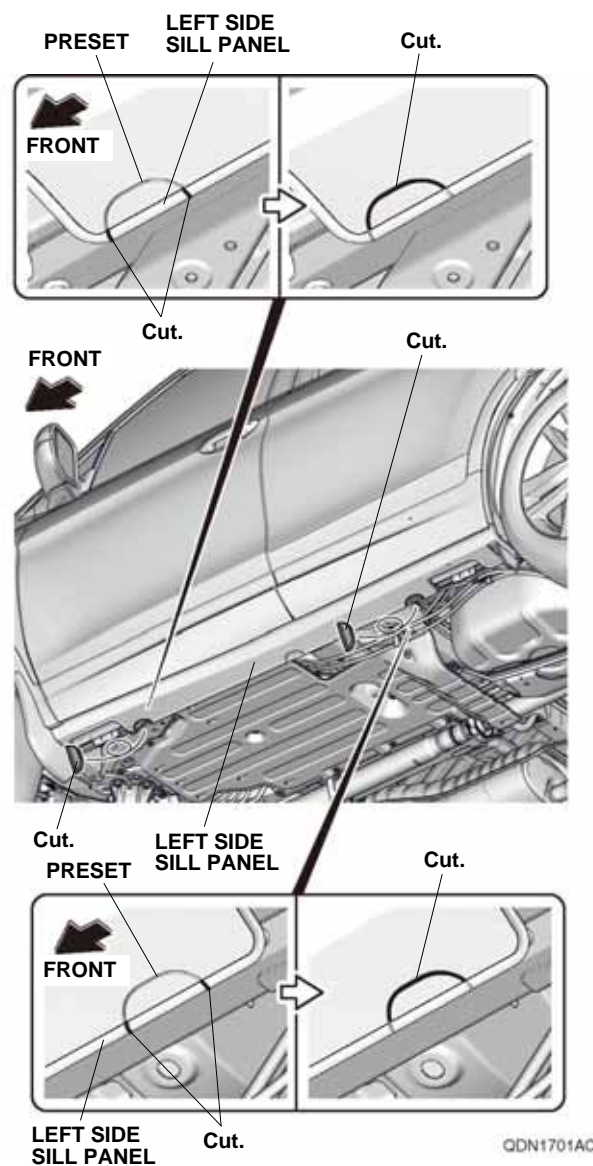
7. Remove the driver's door sill trim.



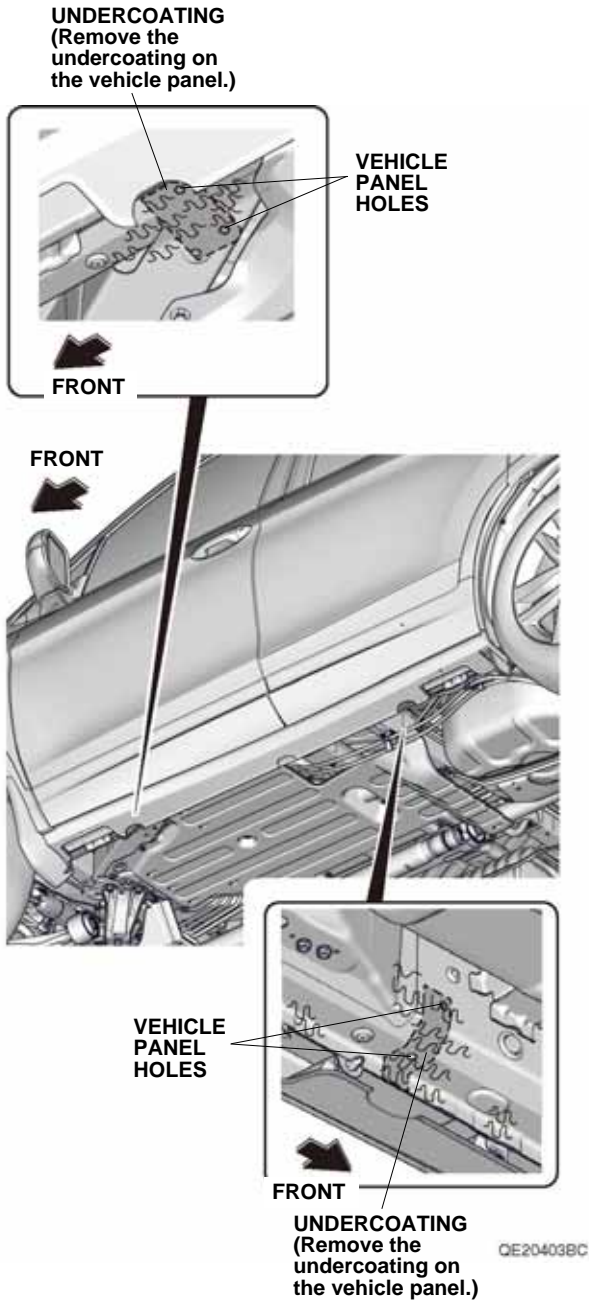
8. Pull away the door opening seal, and remove the driver's kick panel.



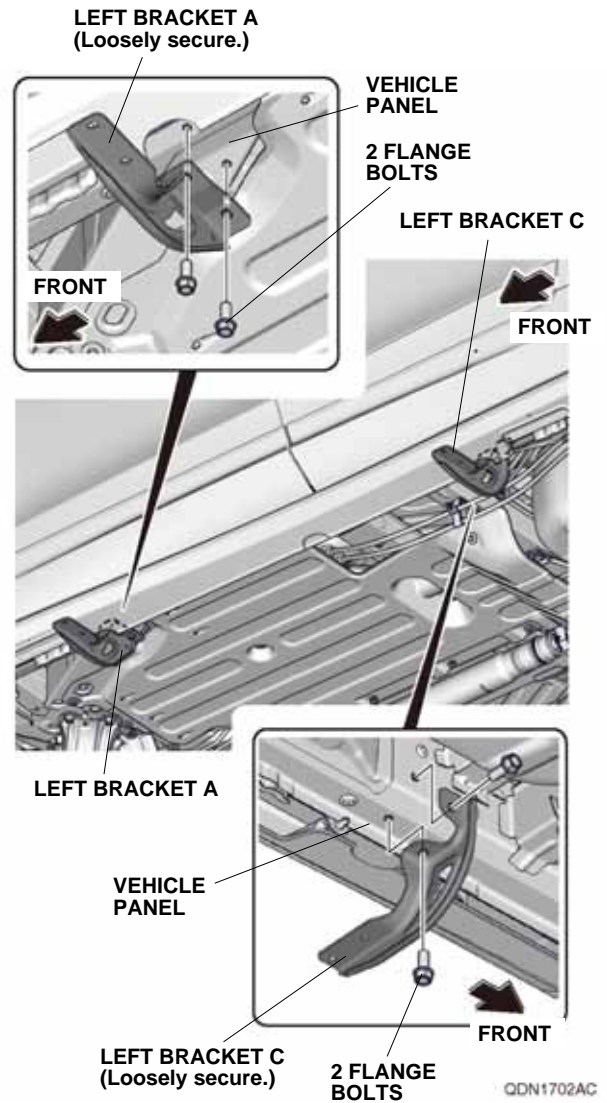
9. Locate the two presets in the left side sill panel. Using a utility knife, cut out the left side sill panel along each preset. Remove any burrs.



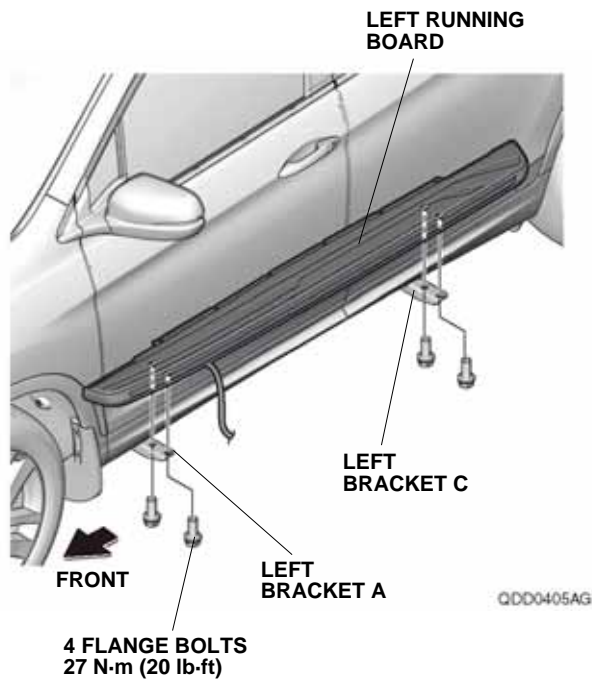
10. Remove the undercoating in the areas shown. Apply touch-up paint to the areas where you removed the undercoating, and allow them to dry thoroughly.



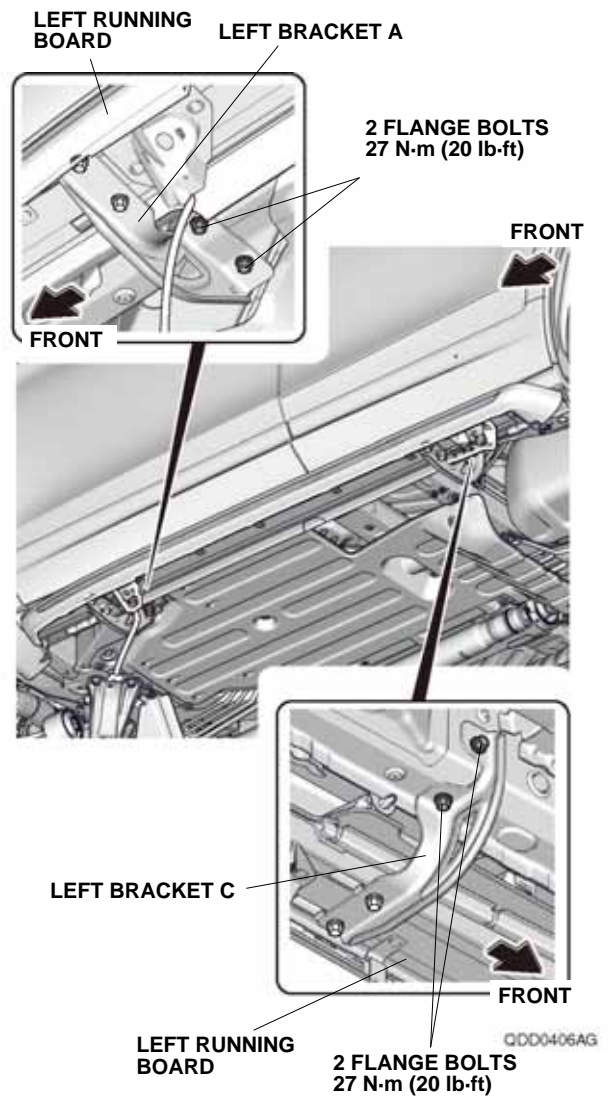
11. Loosely secure the left bracket A and left bracket C to the vehicle panel with four flange bolts.



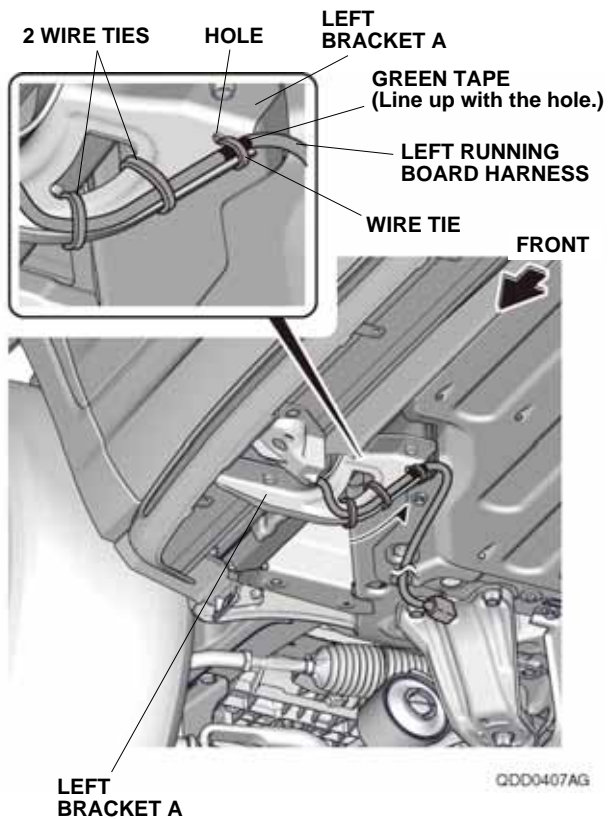
12. Secure the left running board to the left bracket A and left bracket C with four flange bolts. Torque the flange bolts to 27 N·m ( 20 lb·ft).  
NOTE: Have an assistant help you when installing the running board.



13. Tighten the four flange bolts loosely installed in step 11. Torque the flange bolts to 27 N·m (20 lb·ft).

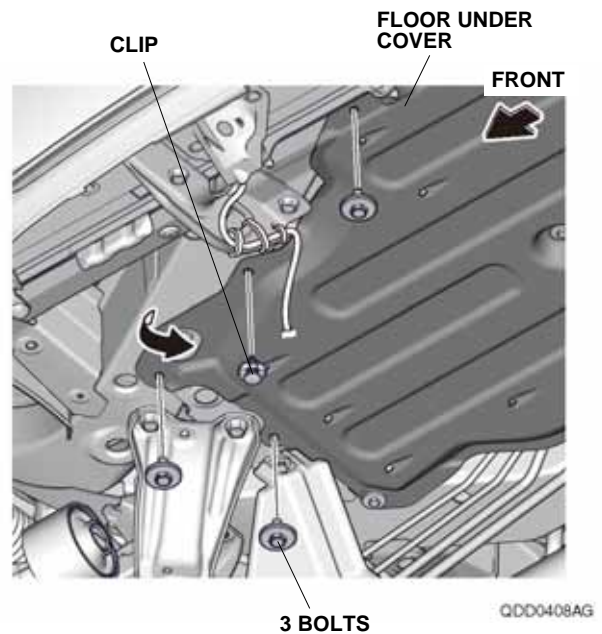


- Line up the green tape on the left running board harness with the hole on the left bracket A, and secure the left running board harness to the left bracket A with one wire tie.



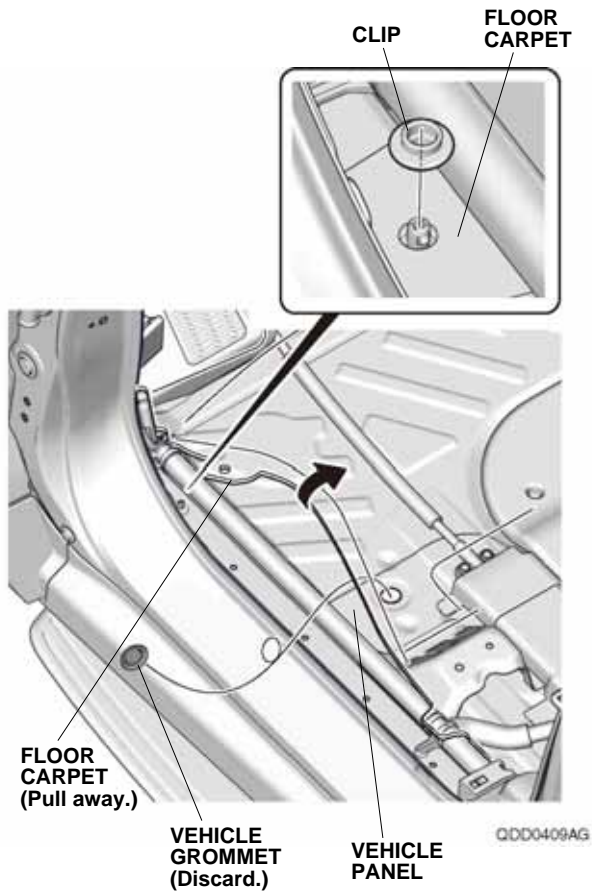
- Secure the left running board harness to the left bracket A with two wire ties.
- Repeat steps 9 through 15 on the right side of the vehicle.

- Remove the one clip and three bolts to release the floor under cover.



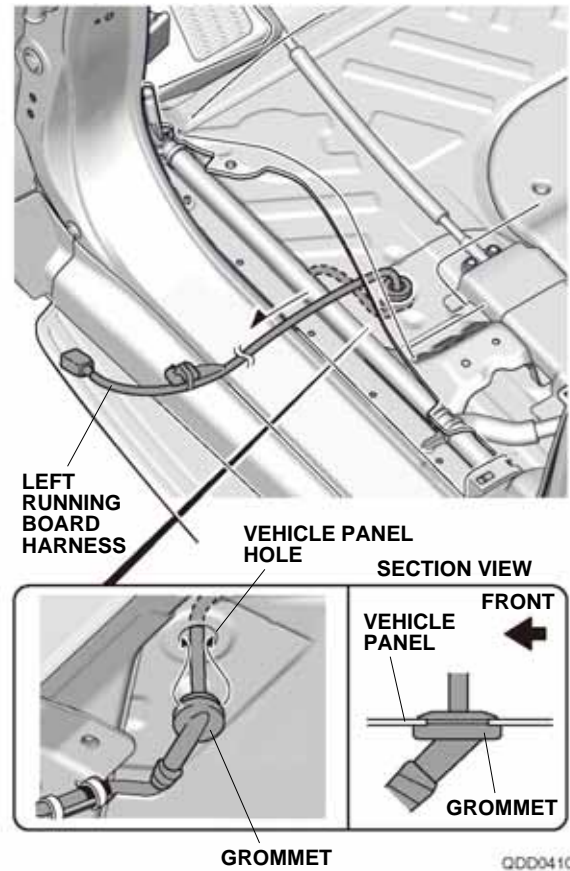


18. Remove the clip on the driver's side, and pull away the floor carpet.

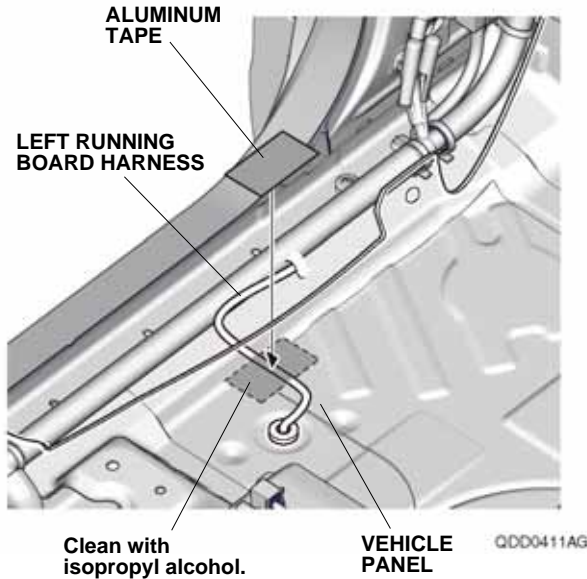


19. Locate the vehicle grommet, and remove it from the vehicle panel.

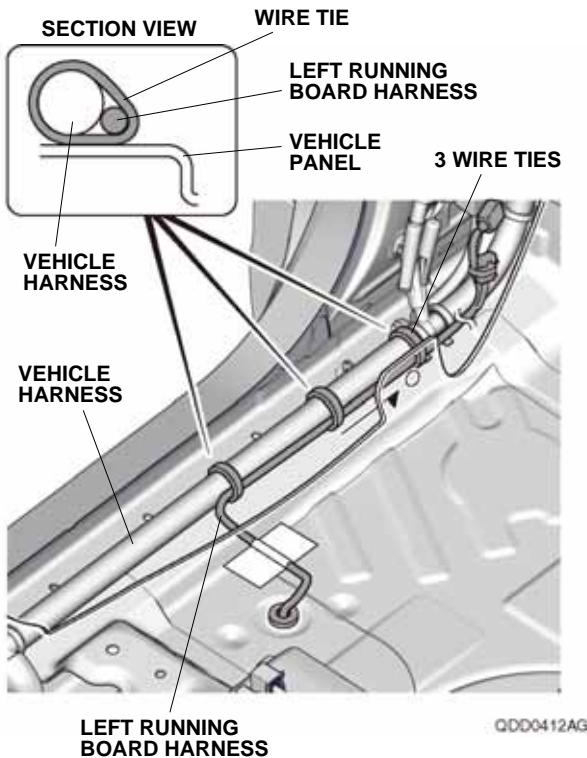
20. Route the left running board harness through the vehicle panel hole, and seat the grommet on the left running board harness in the vehicle panel hole.  
NOTE: Do not pull on the left running board harness when installing the grommet.



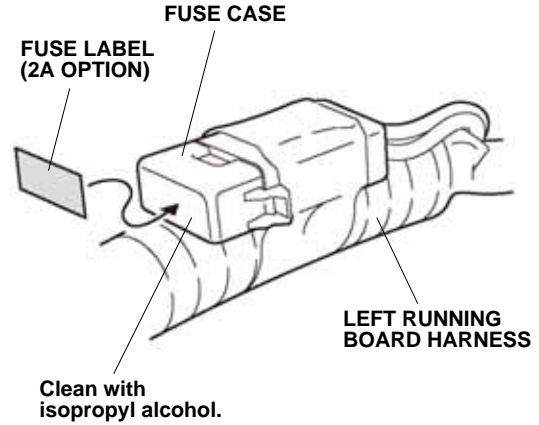
21. Using isopropyl alcohol on a shop towel, thoroughly clean the vehicle panel where the aluminum tape will attach.



22. Secure the left running board harness to the vehicle panel with one aluminum tape as shown.
23. Route and secure the left running board harness to the vehicle harness with three wire ties.



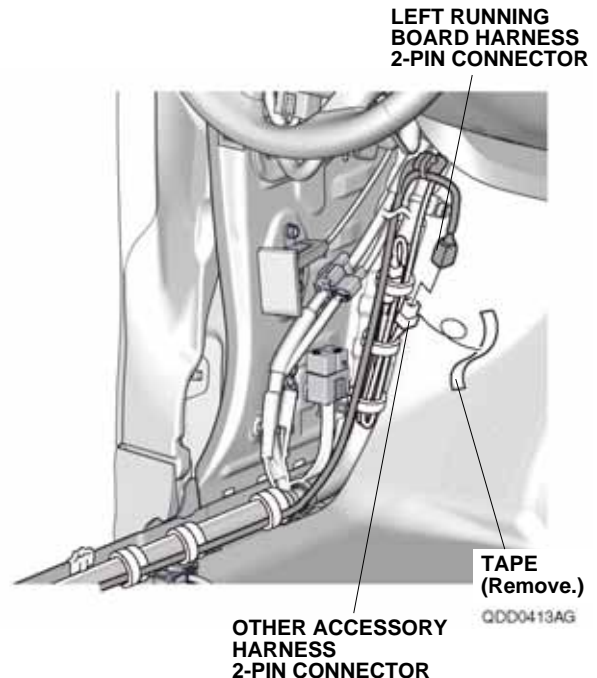
24. Using isopropyl alcohol on a shop towel, thoroughly clean the fuse case where the fuse label will attach. Attach the fuse label (2A OPTION) to the fuse case on the left running board harness.



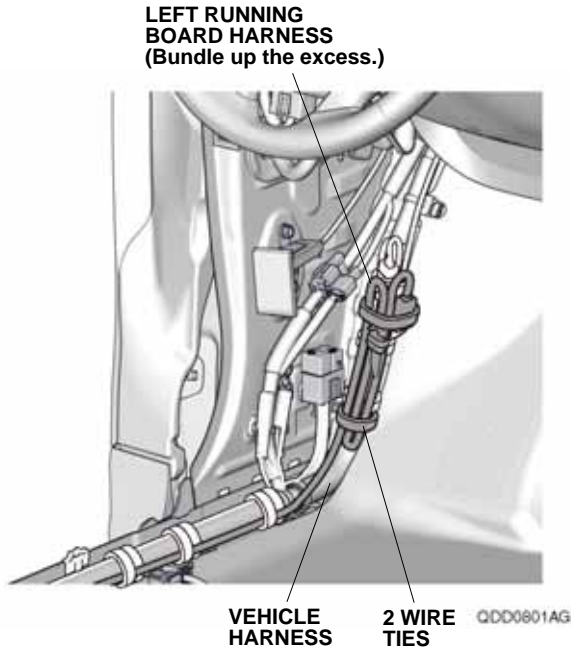
**If the vehicle is equipped with the other accessory harness, continue with step 25; otherwise, go to step 27.**

### With Other Accessory Harness

25. Remove the tape from the other accessory harness 2-pin connector, and plug the other accessory harness 2-pin connector to the left running board harness 2-pin connector.

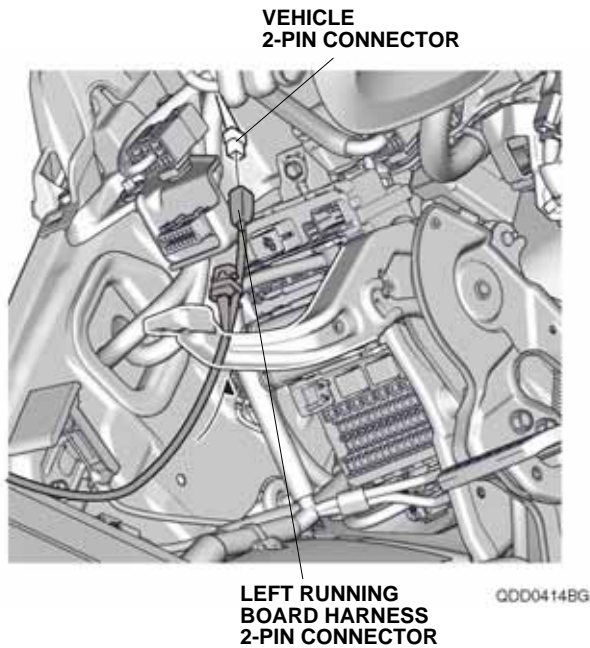


26. Bundle up the excess left running board harness, and secure it to the vehicle harness with two wire ties. Go to step 30.

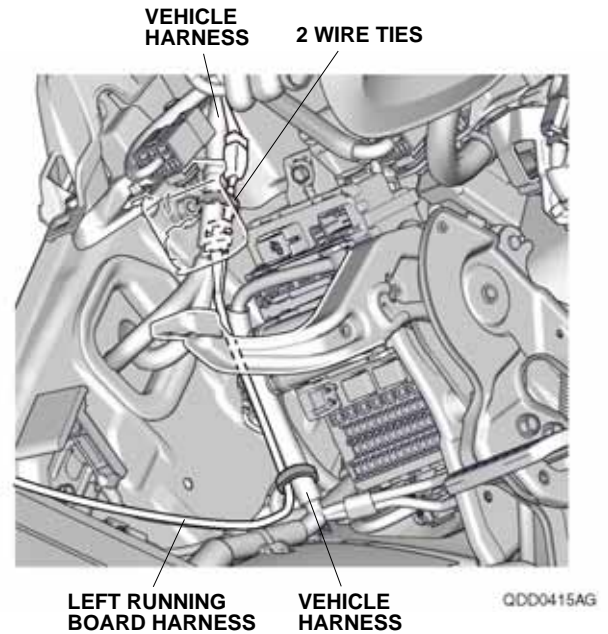


## Without Other Accessory Harness

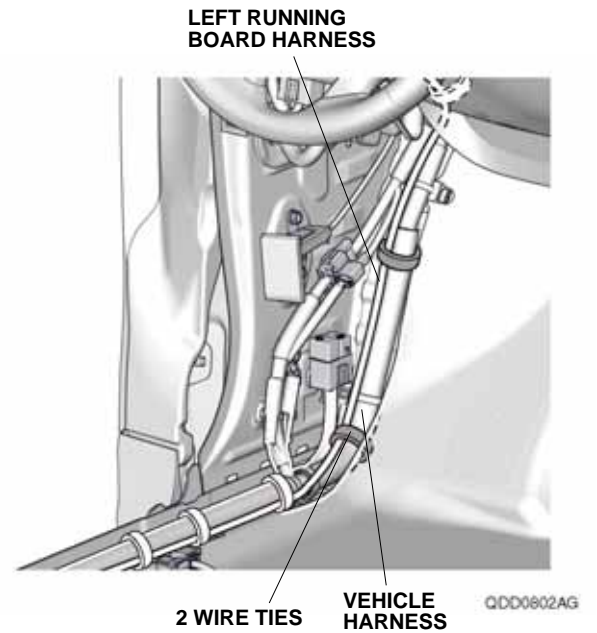
27. Route the left running board harness, and plug the vehicle 2-pin connector to the left running board harness 2-pin connector.



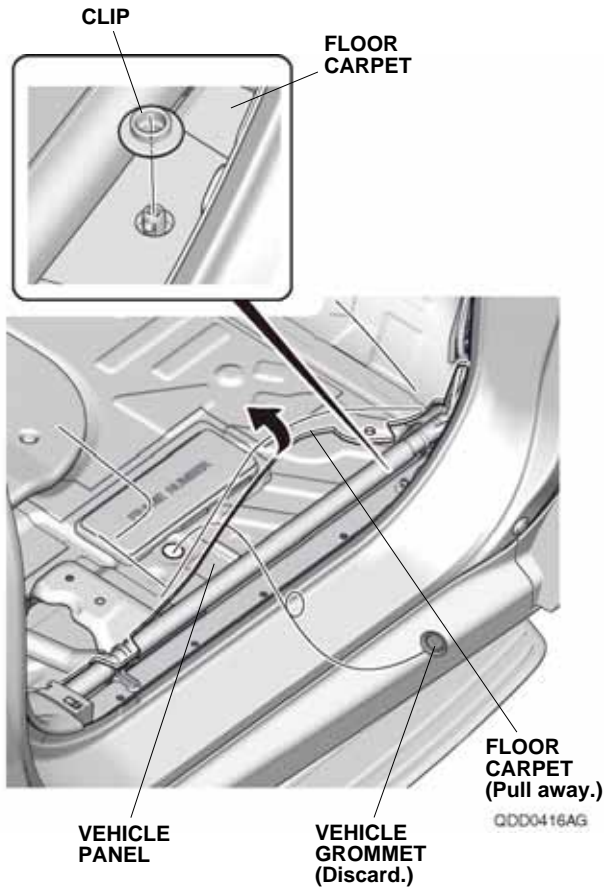
28. Secure the left running board harness to the vehicle harness with two wire ties.



29. Secure the left running board harness to the vehicle harness with two wire ties.



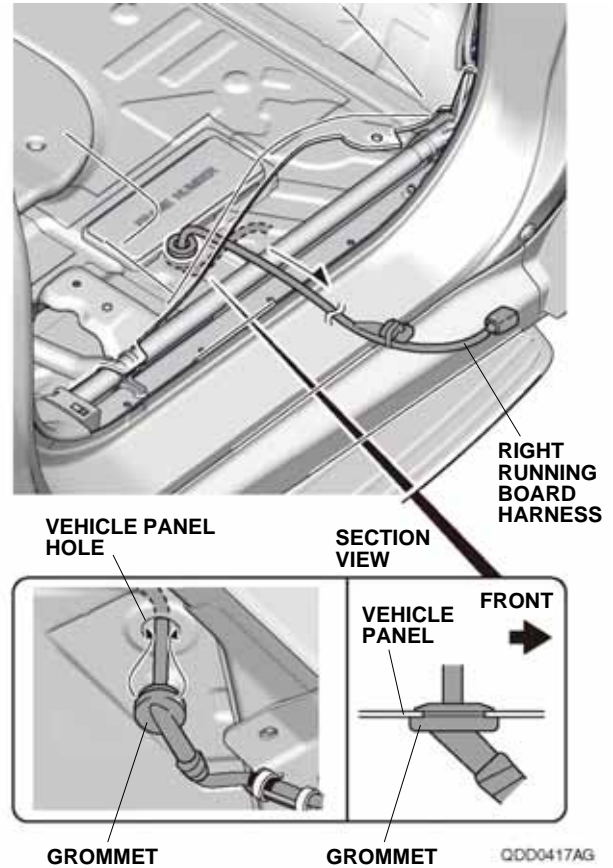
30. Remove the clip on the passenger's side, and pull away the floor carpet.



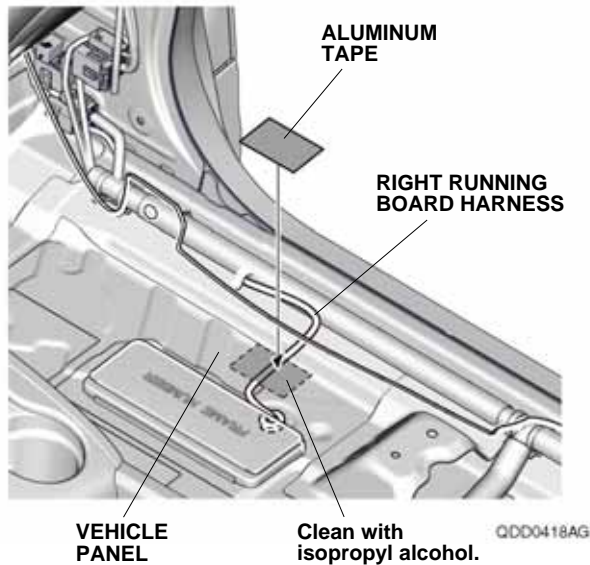
31. Locate the vehicle grommet, and remove it from the vehicle panel.

32. Route the right running board harness through the vehicle panel hole, and seat the grommet on the right running board harness in the vehicle panel hole.

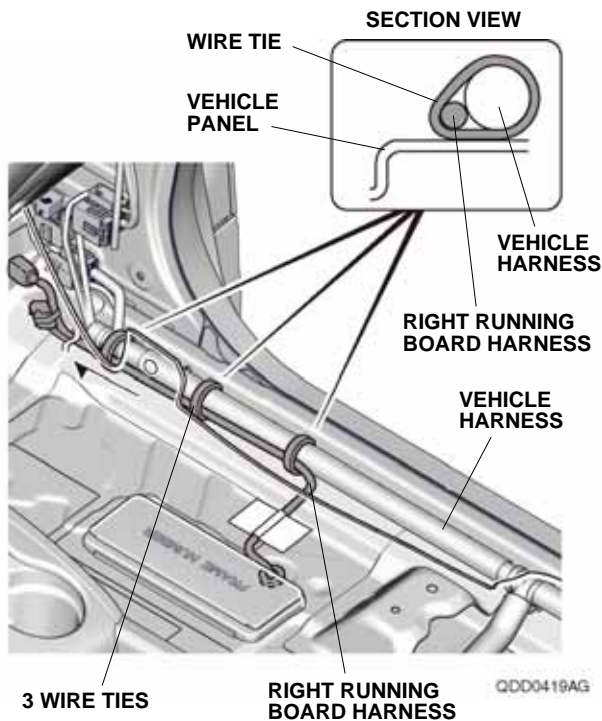
NOTE: Do not pull on the right running board harness when installing the grommet.



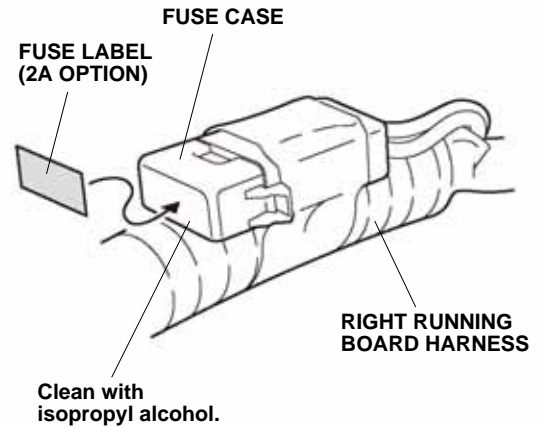
33. Using isopropyl alcohol on a shop towel, thoroughly clean the vehicle panel where the aluminum tape will attach.



34. Secure the right running board harness to the vehicle panel with one aluminum tape as shown.
35. Route and secure the right running board harness to the vehicle harness with three wire ties.



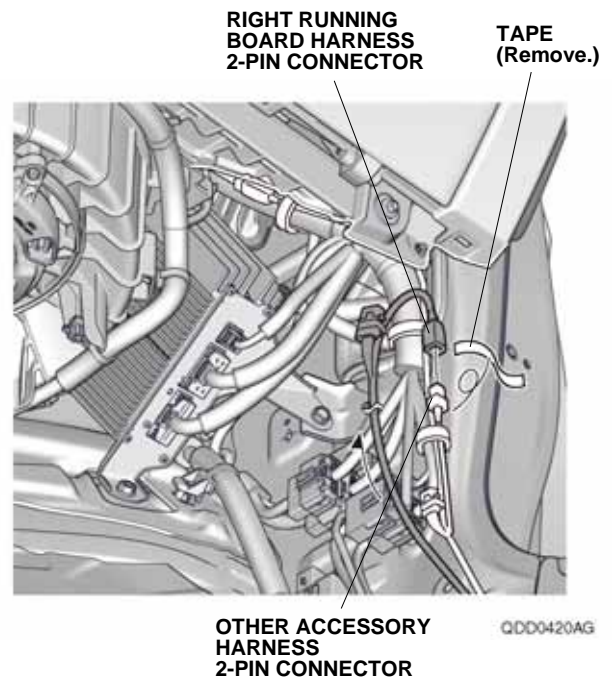
36. Using isopropyl alcohol on a shop towel, thoroughly clean the fuse case where the fuse label will attach. Attach the fuse label (2A OPTION) to the fuse case on the right running board harness.



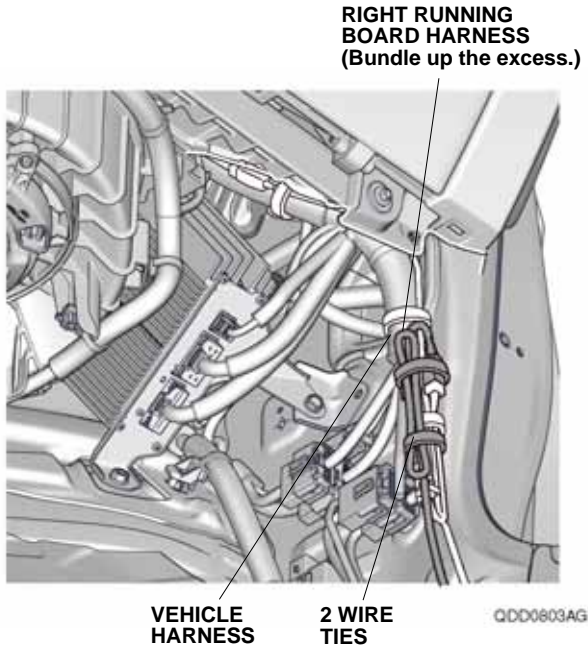
**If the vehicle equipped with other accessory harness, continue with step 37; otherwise, go to step 39.**

### With Other Accessory Harness

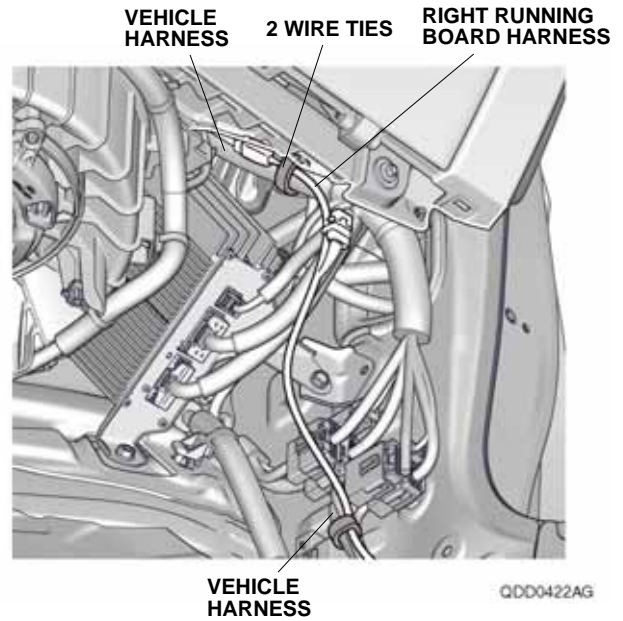
37. Remove the tape from the other accessory harness 2-pin connector, and plug the other accessory harness 2-pin connector to the right running board harness 2-pin connector.



38. Bundle up the excess right running board harness, and secure it to the vehicle harness with two wire ties. Go to step 41.



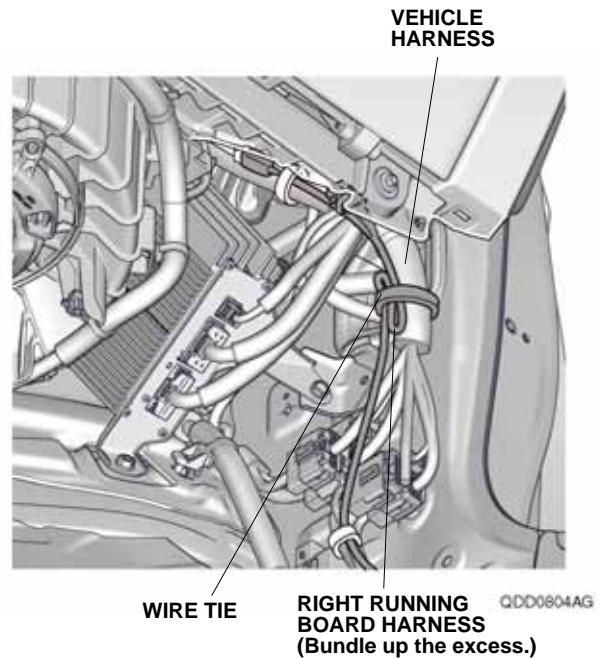
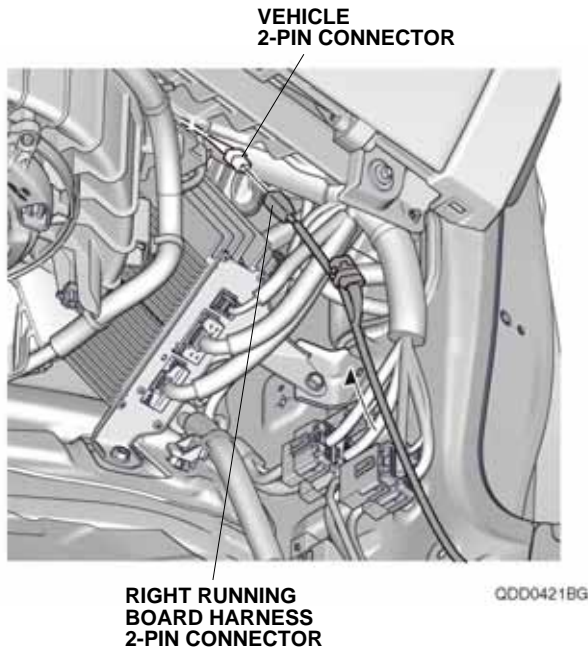
40. Secure the right running board harness to the vehicle harness with two wire ties.



41. Bundle up the excess right running board harness, and secure it to the vehicle harness with one wire tie.

## Without Other Accessory Harness

39. Route the right running board harness, and plug the vehicle 2-pin connector to the right running board harness 2-pin connector.



42. Check that all wire harnesses are routed properly and all connectors are plugged in.
43. Install all removed parts except for the front bulkhead cover and the intake air tube.
44. Connect the negative cable to the battery.
45. Install the front bulkhead cover and the intake air tube.
46. Press and hold the audio unit power button for two seconds to restore the audio and navi (if equipped) system functions.
47. Set the clock on vehicles without navigation.
48. If necessary, restore the systems back to normal operation as described in the service information.

## **Check the Operation of the Running Board Lights**

49. Light on the running board will turn on when the door is opened.
50. Light on the running board will turn off after closing the door for a period of time.
51. Light on the running board will turn on when the key on the driver's side is unlocked.