



## INSTALLATION INSTRUCTIONS

Accessory  
**FOG LIGHTS**  
 P/N 08V31-TG7-100A

Application  
**2020 PILOT**

Publications No.  
**VERSION 1**  
 Issue Date  
**JUL 2019**

### PARTS LIST

Left fog light



Right fog light



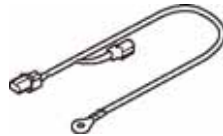
Combination light switch



Fog light harness



Ground harness



18 Wire ties  
 (2 Not used)



2 Wire ties with holder



10A Fuse



Relay



### TOOLS AND SUPPLIES REQUIRED

Phillips screwdriver

Flat-tip screwdriver

Ratchet

10 mm Socket

10 mm Open end wrench

Diagonal cutters

Masking tape

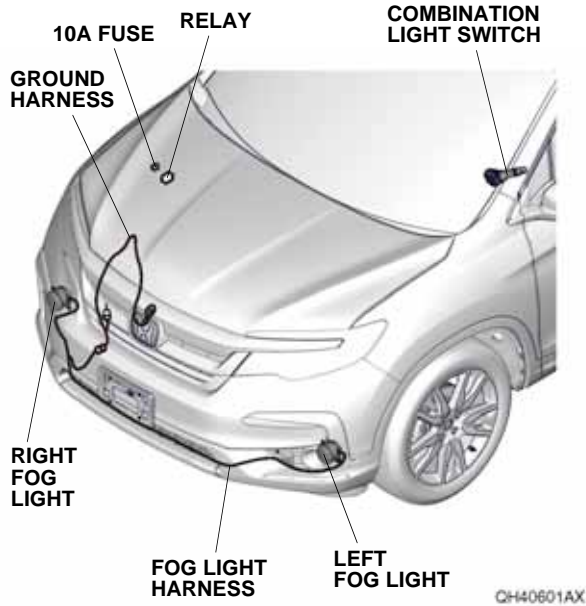
Blanket

Shop towel

*The following tools are available through the Honda Tool and Equipment Program. On the iN, click on: Service > Service Bay > Tool and Equipment Program, then enter the number under "Search". Or, call 888-424-6857.*

- Trim Tool Set (T/N SOJATP2014)
- Plastic Trim Tool (T/N SILTRIMTL10)

## Illustration of the Fog Lights on the Vehicle

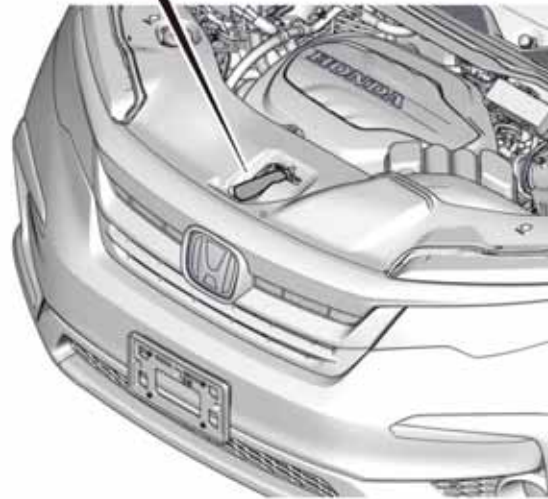
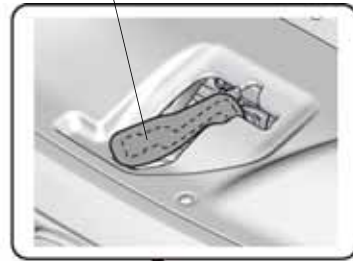


## INSTALLATION

**Customer Information:** The information in this installation instruction is intended for use only by skilled technicians who have the proper tools, equipment, and training to correctly and safely add equipment to your vehicle. These procedures should not be attempted by “do-it-yourselfers.”

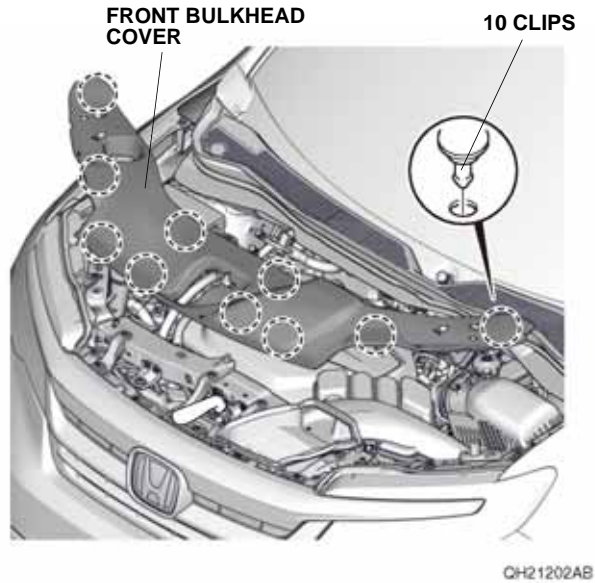
1. Disconnect the negative cable from the battery:
  - Wrap a shop towel around the hood latch.

**HOOD LATCH**  
(Wrap with a shop towel.)

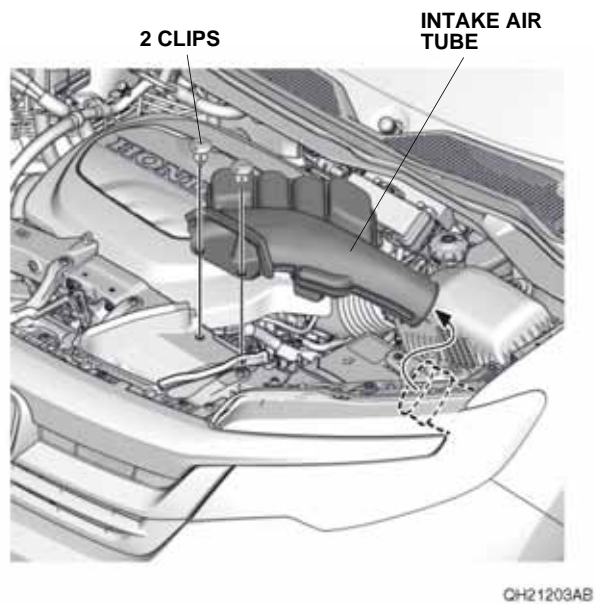


QH21201AB

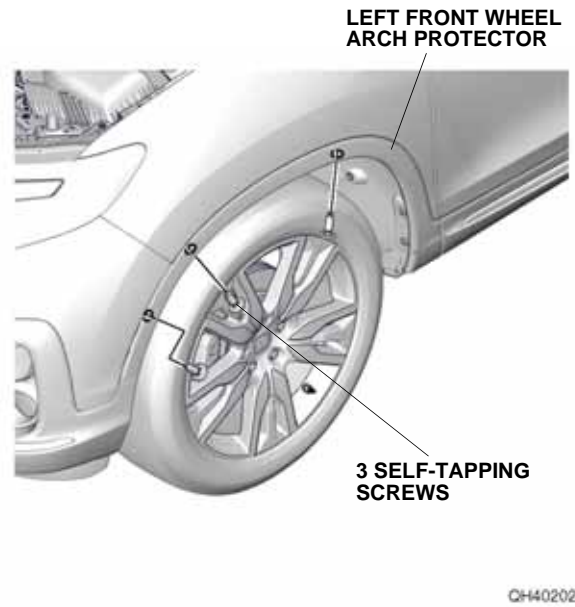
- Remove the front bulkhead cover.



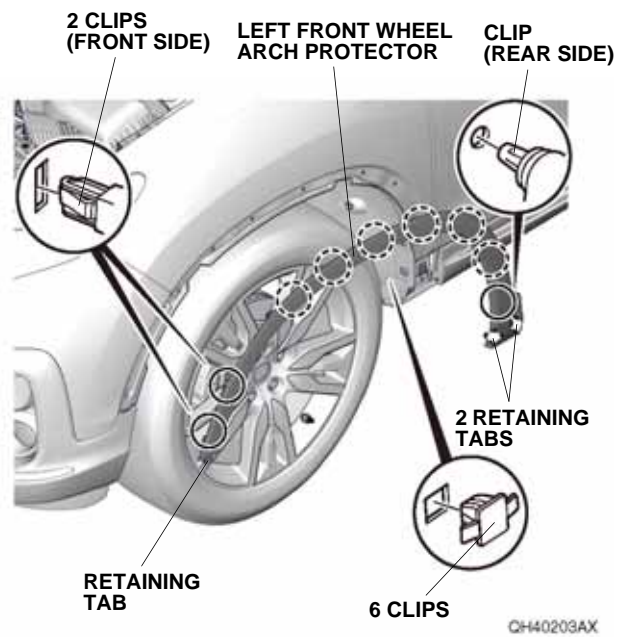
- Remove the intake air tube.
- Disconnect the negative cable from the battery.



2. Remove the three self-tapping screws.

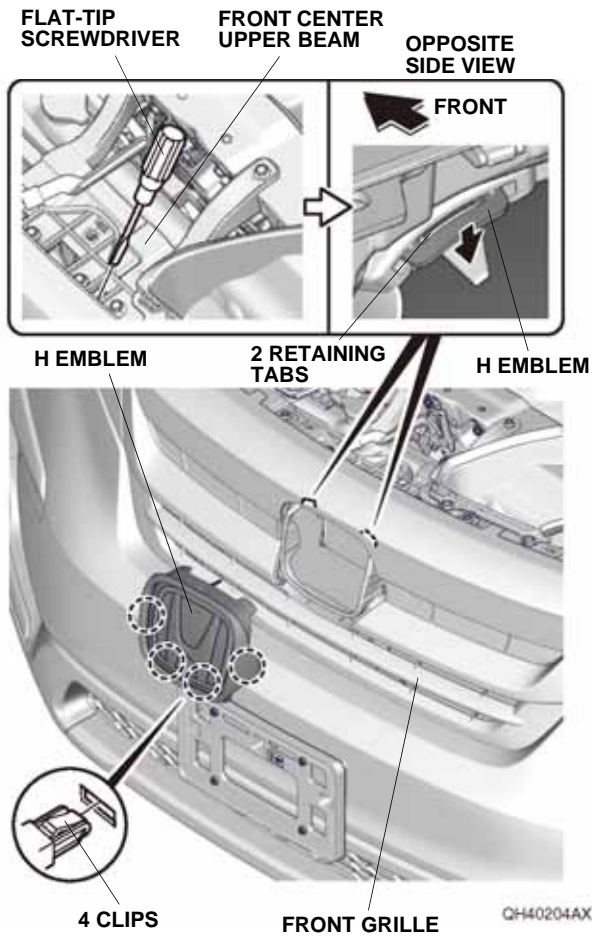


3. Remove the left front wheel arch protector.

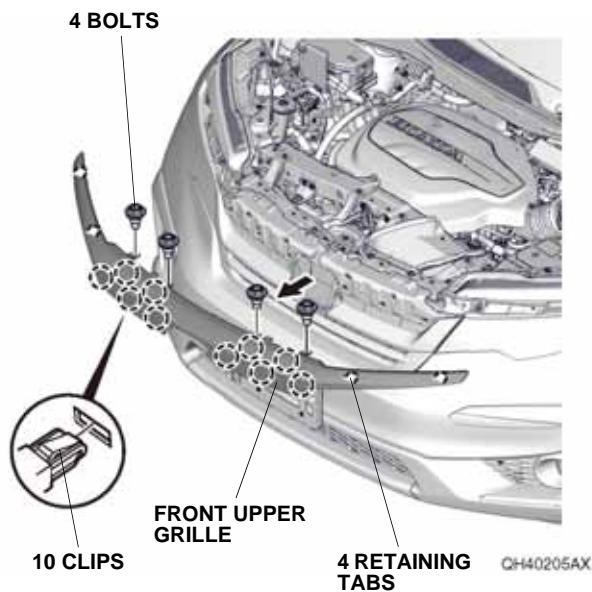


4. Repeat steps 2 and 3 on the right side of the vehicle.

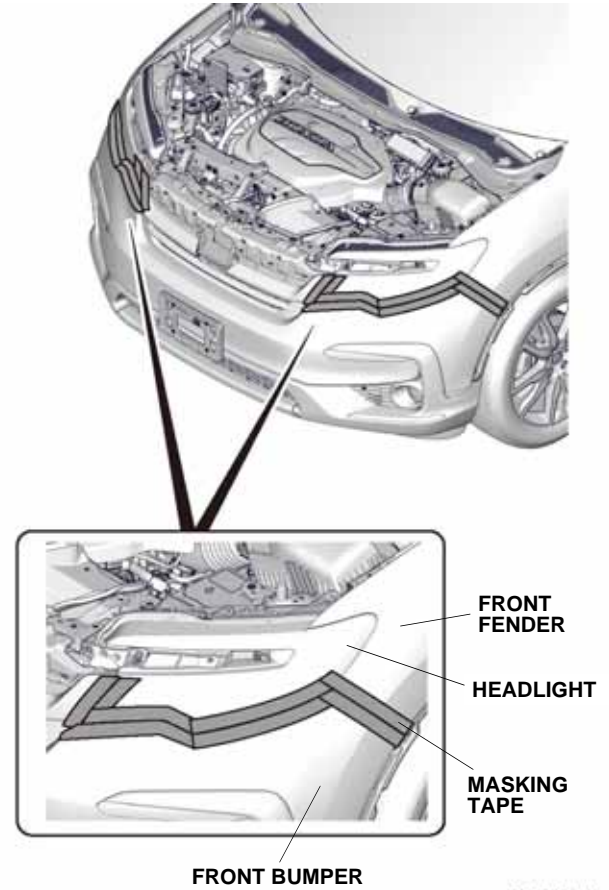
5. Remove the front bumper:
- Using a flat-tip screwdriver, remove the H emblem.



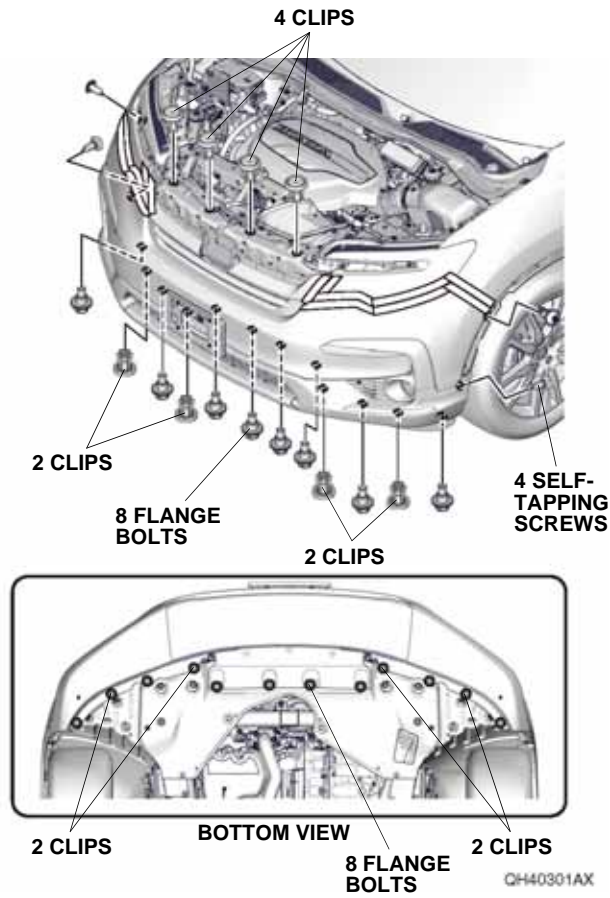
- Remove the front upper grille.



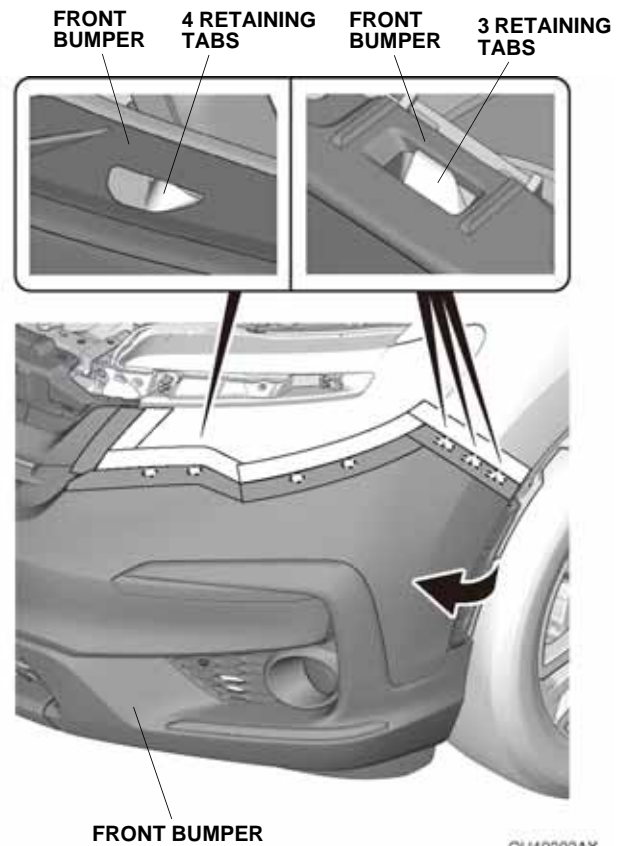
- Apply masking tape as shown.



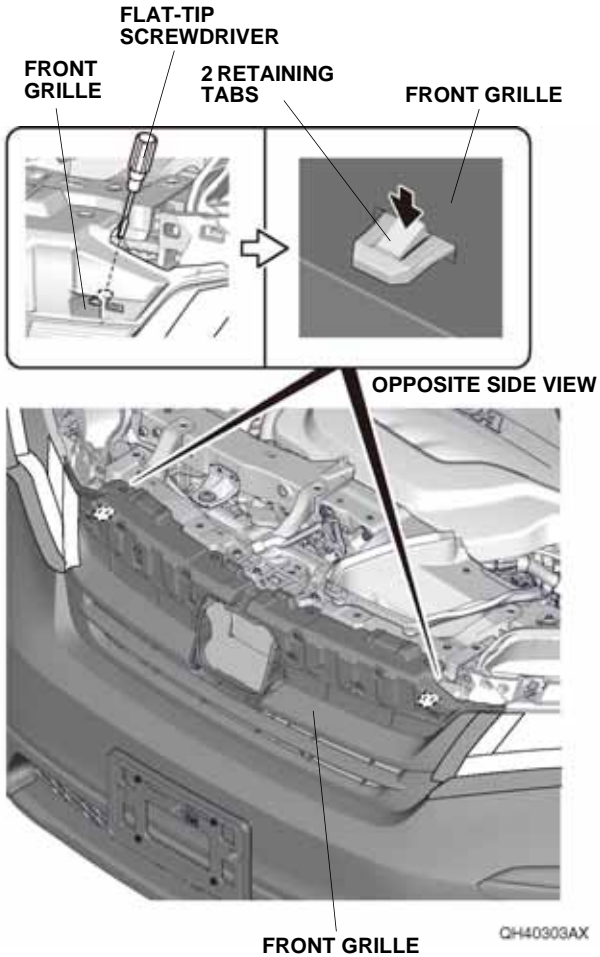
- Remove the four self-tapping screws, eight clips, and eight flange bolts.



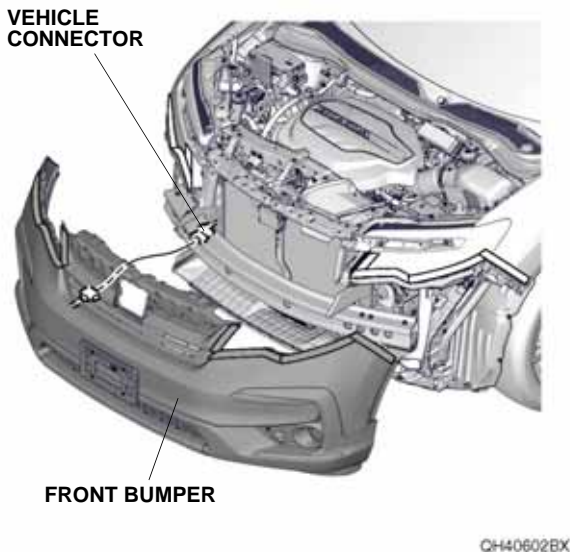
- With the help of an assistant, release the seven retaining tabs on each side.



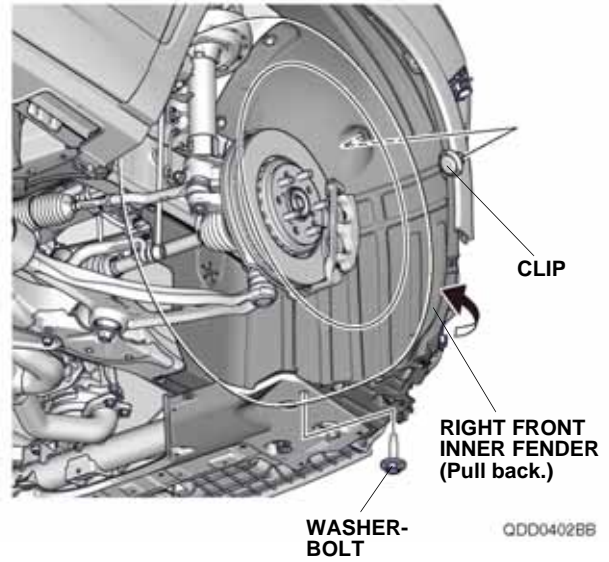
- Release the front grille.



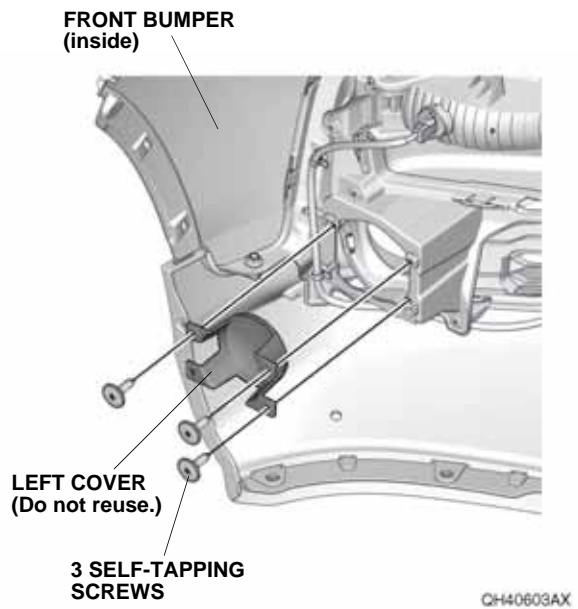
- With the help of an assistant, remove the front bumper, and unplug the vehicle connectors.
- Place the front bumper on a blanket.



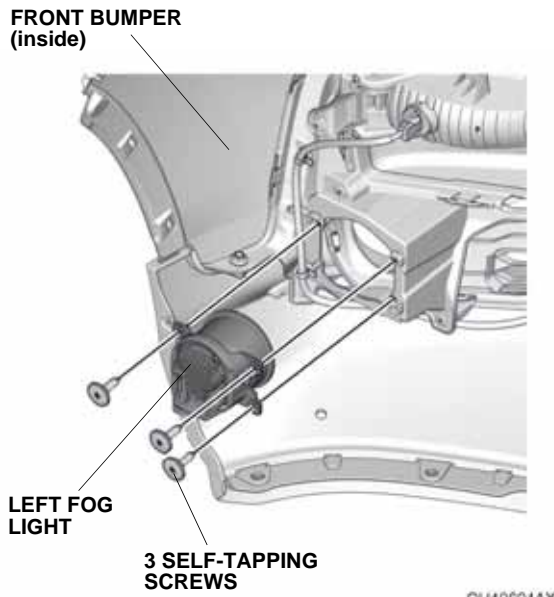
6. Remove one washer-bolt and one clip, and pull back the right front inner fender as shown.



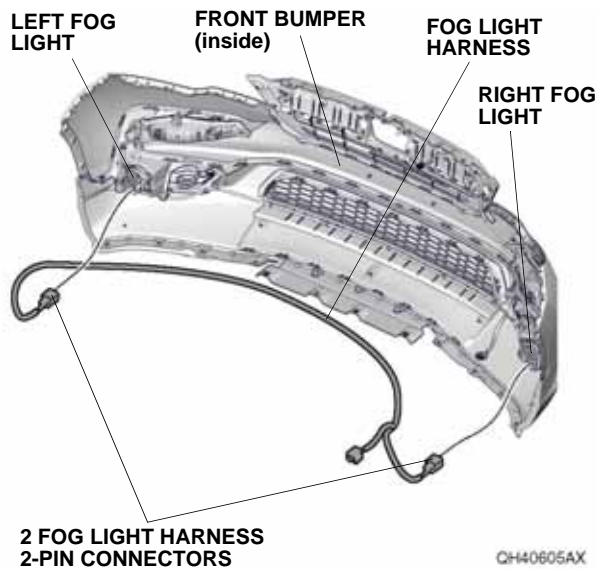
7. Remove the left cover from the front bumper.



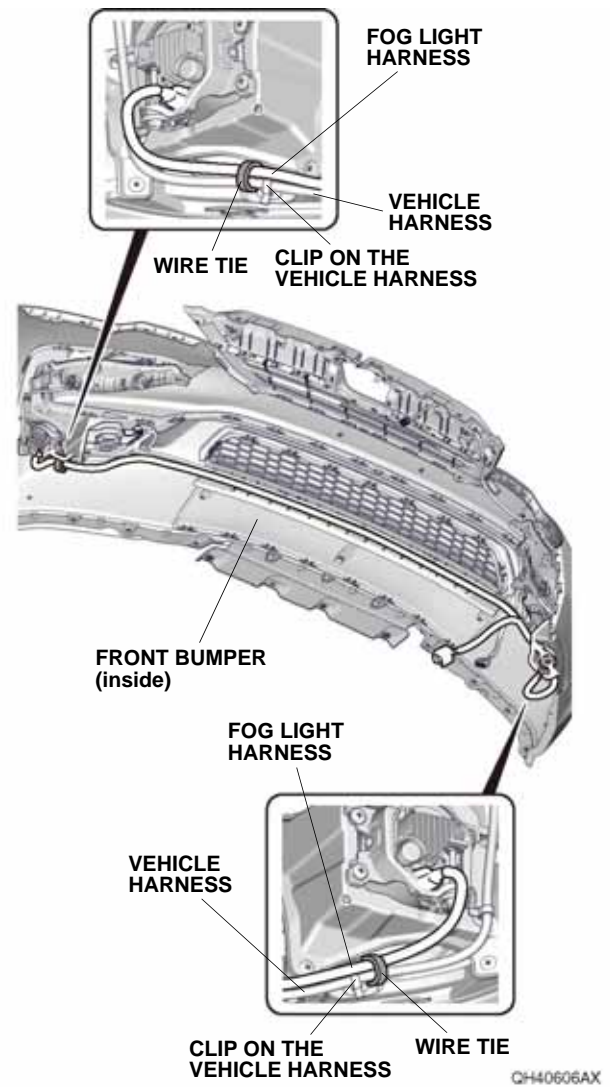
8. Install the left fog light to the front bumper with three self-tapping screws removed in step 7.



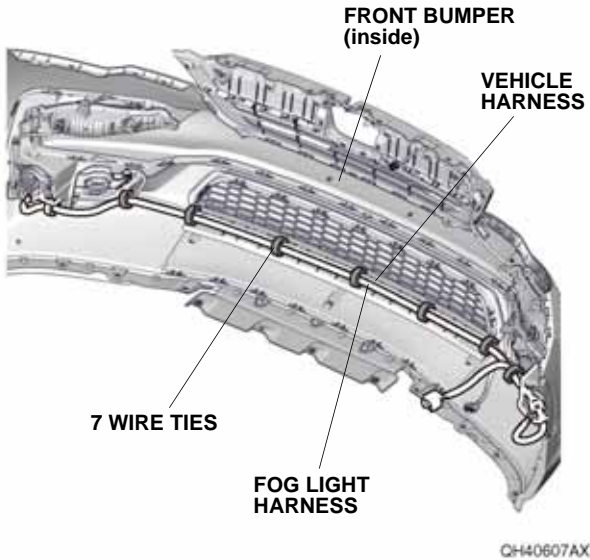
9. Repeat steps 7 and 8 to install the right fog light to the right side of the front bumper.
10. Plug the two fog light harness 2-pin connectors into the left and right fog lights.



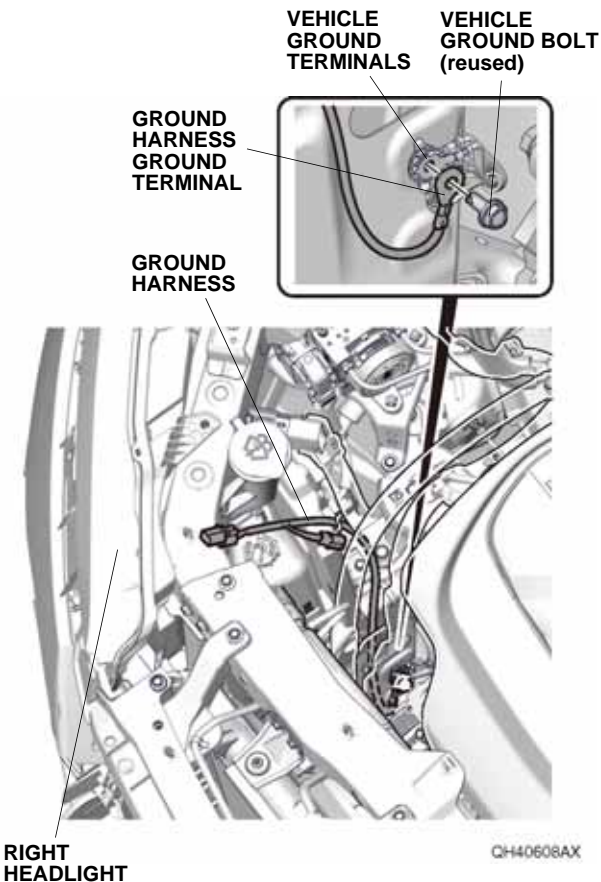
11. Secure the fog light harness to the vehicle harness with two wire ties as shown.



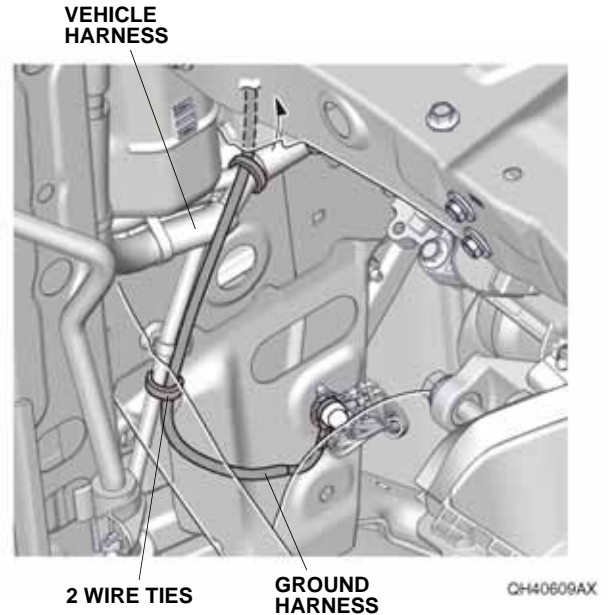
12. Secure the fog light harness to the vehicle harness with seven wire ties.



13. Remove the vehicle ground bolt, and secure the ground harness ground terminal to the vehicle ground terminals.  
NOTE: Do not put the ground terminal caulking on top of one another.



14. Route the ground harness along the vehicle harness, and secure it to the vehicle harness with two wire ties.

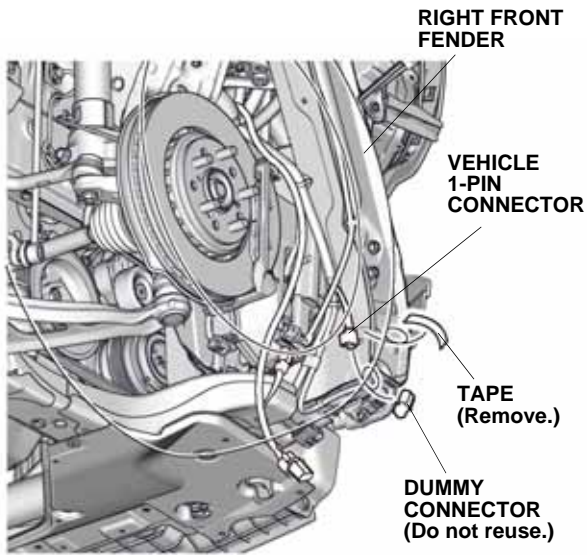


15. Route the ground harness down the right front inner fender area, and secure it to the vehicle harness with one wire tie.



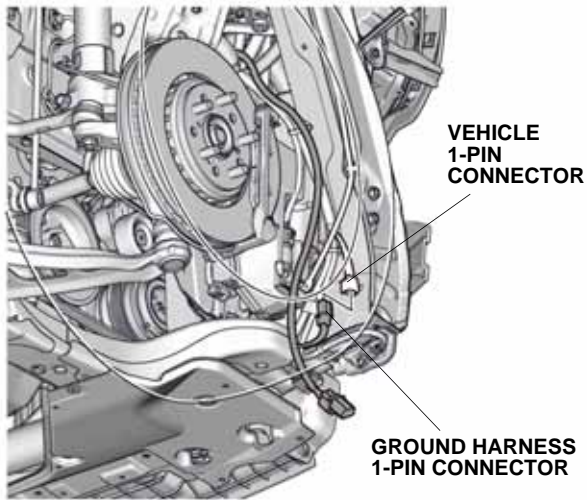


16. Remove the tape to free the vehicle 1-pin connector, remove the dummy connector.



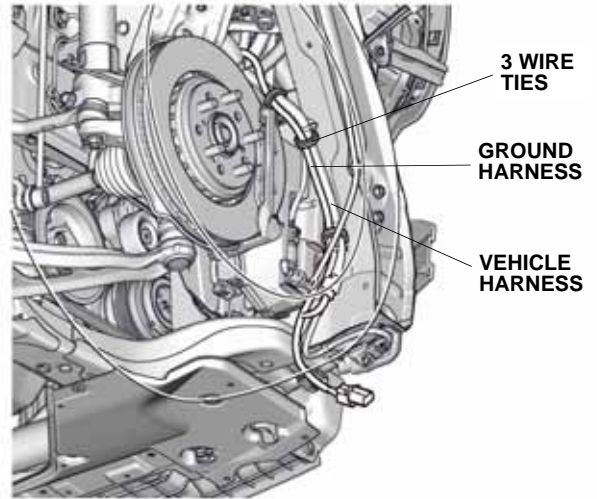
QE20603AB

17. Plug the ground harness 1-pin connector into the vehicle 1-pin connector.



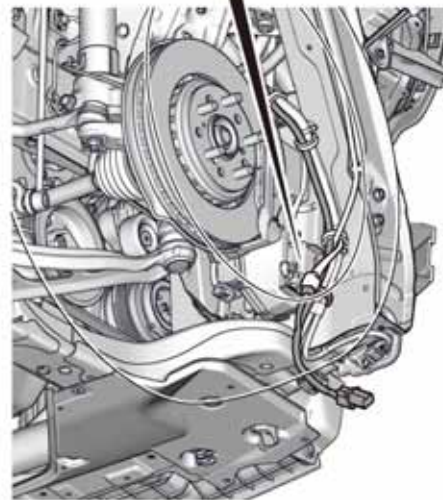
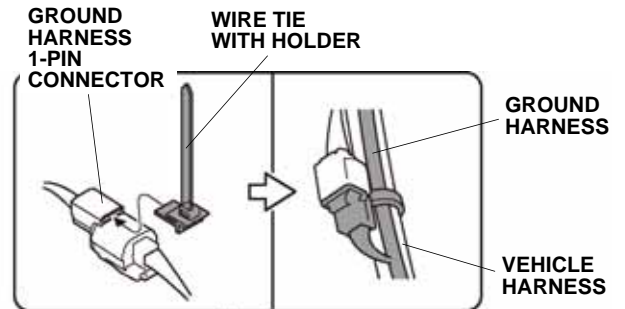
QE20604AB

18. Secure the ground harness to the vehicle harness with three wire ties.



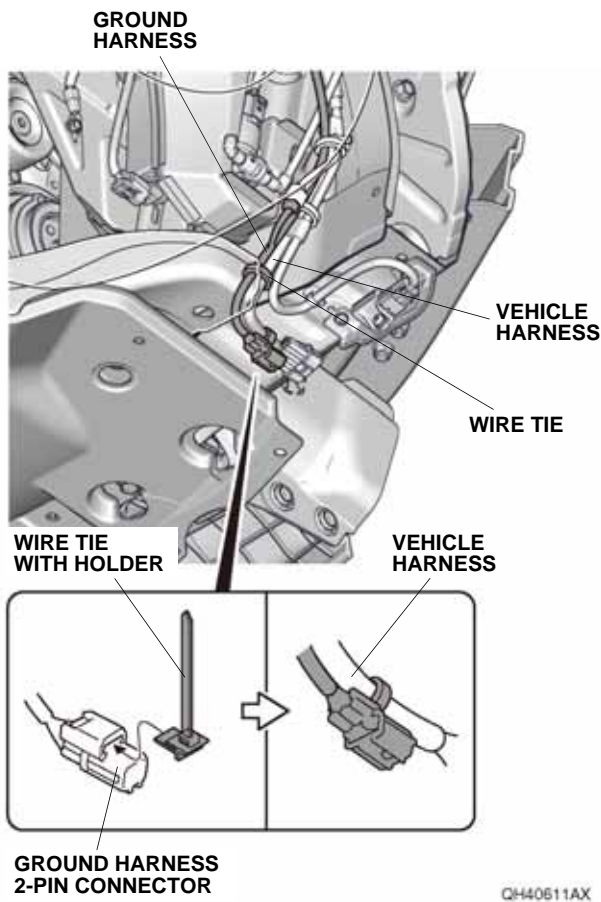
QE20605AB

19. Install the wire tie with holder to the ground harness 1-pin connector, and secure the 1-pin connectors and ground harness to the vehicle harness with one wire tie with holder as shown.



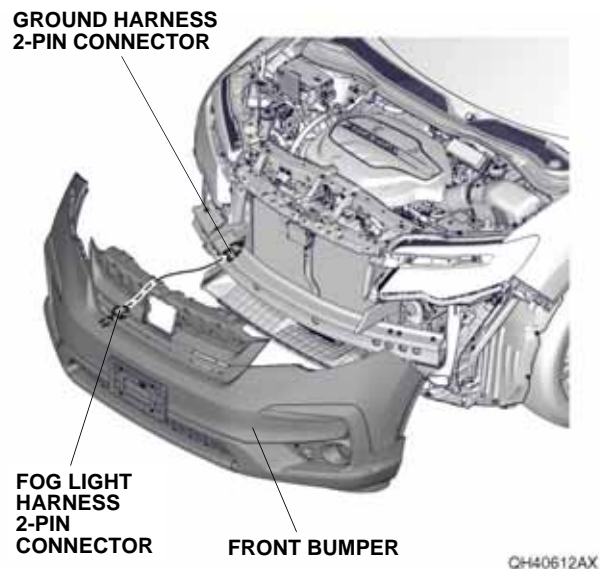
QE20606AB

20. Install the wire tie with holder to the ground harness 2-pin connector, and secure it to the vehicle harness with one wire tie with holder as shown.

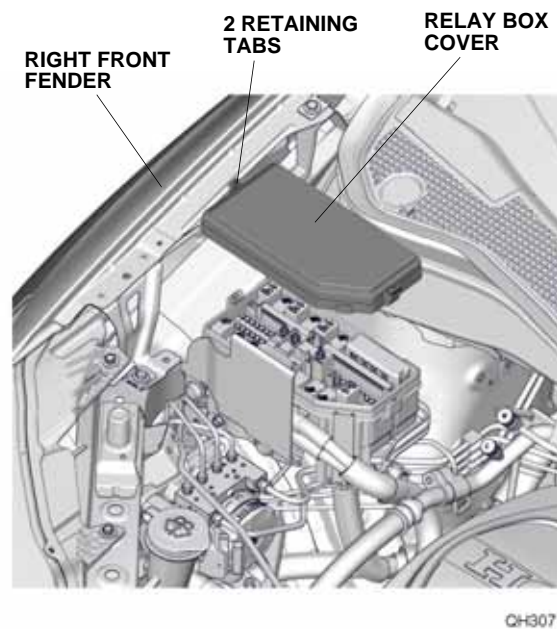


21. Secure the ground harness to the vehicle harness with one wire tie.

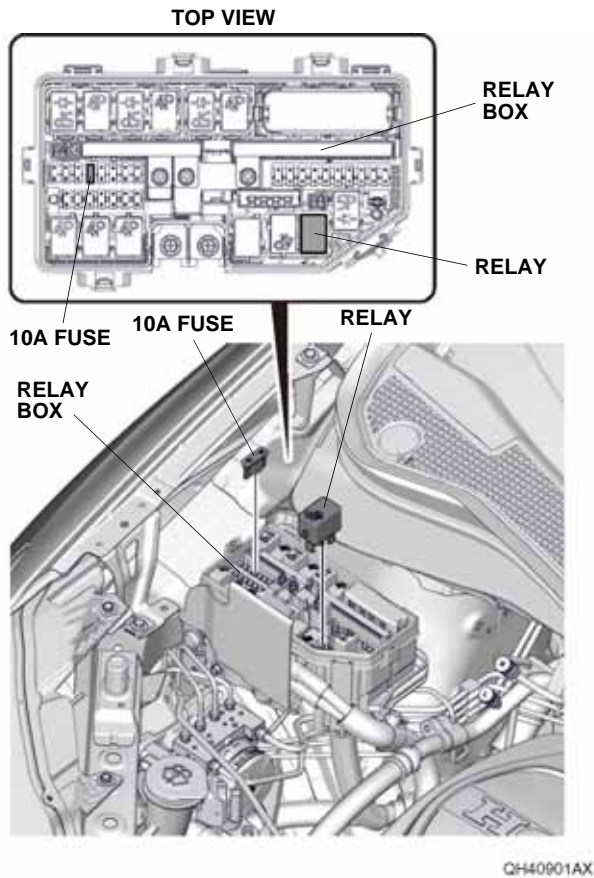
22. With the help of an assistant, bring the front bumper close to the vehicle, and plug the fog light harness 2-pin connector into the ground harness 2-pin connector. Install the front bumper.



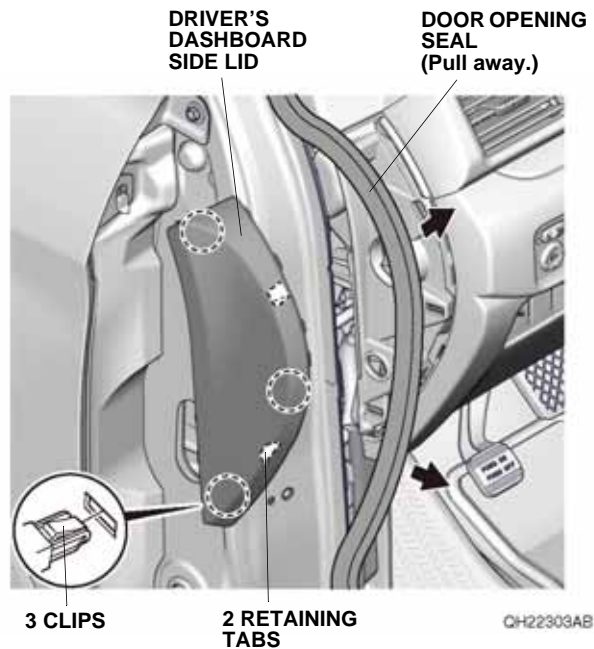
23. Under the hood, remove the relay box cover.



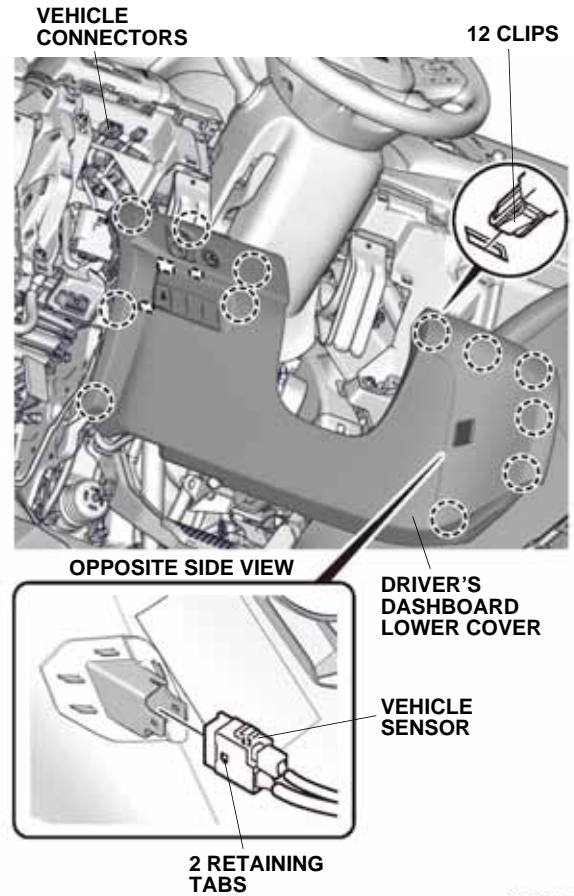
24. Plug the relay and 10A fuse into the relay box in the slot shown.



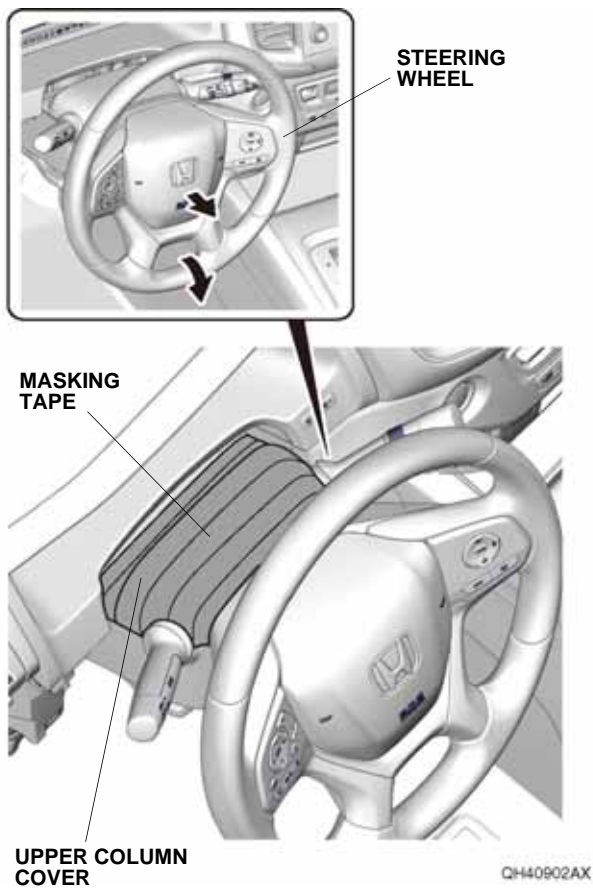
25. Pull away the door opening seal, and remove the driver's dashboard side lid.



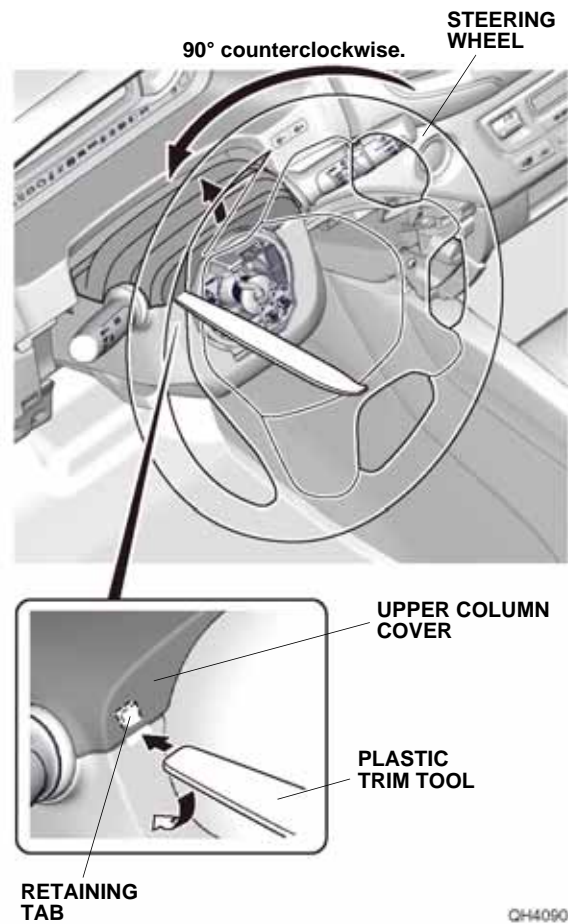
26. Remove the driver's dashboard lower cover, and unplug the vehicle connectors, and release the vehicle sensor.



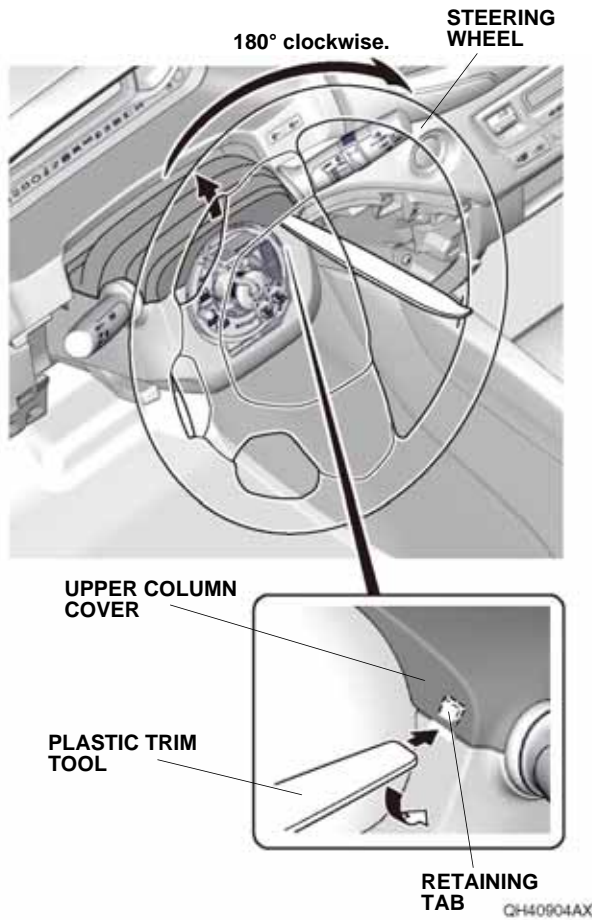
27. Lower and pull out the steering wheel. Apply masking tape to the upper column cover as shown.



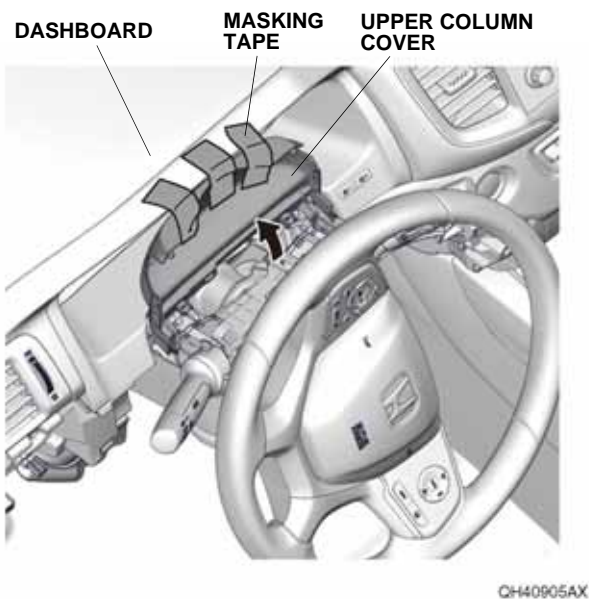
28. Connect the negative cable to the battery, then turn the ignition to ON. Turn the steering wheel 90° counterclockwise. Using a plastic trim tool, release the upper column cover.



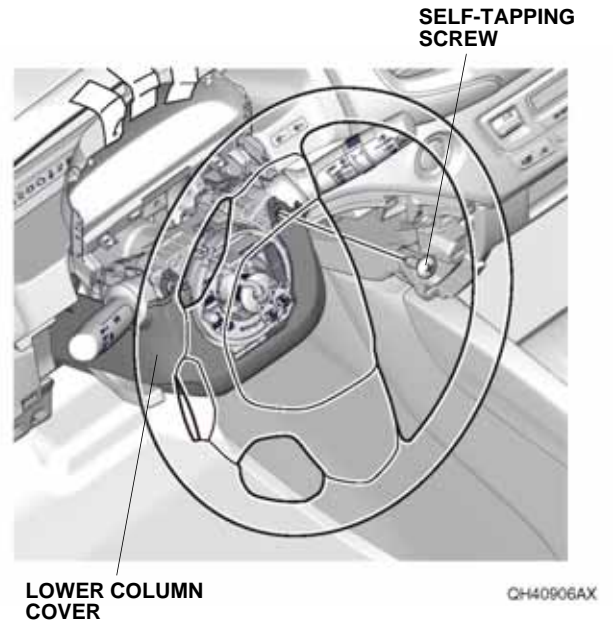
29. Turn the steering wheel 180° clockwise. Using a plastic trim tool, release the upper column cover.



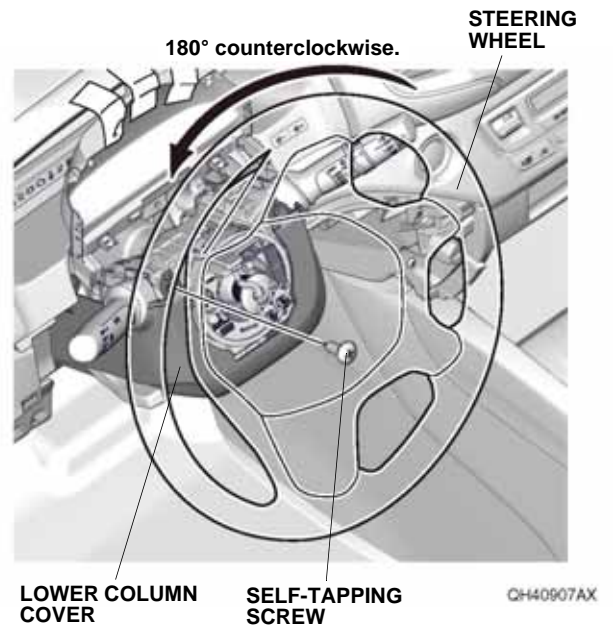
30. Release the upper column cover, and secure it to the dashboard with the masking tape.



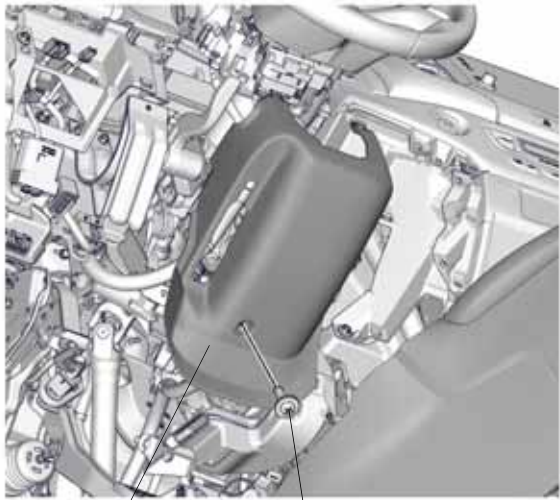
31. Remove the one self-tapping screw from the lower column cover.



32. Turn the steering wheel 180° counterclockwise, and remove the other self-tapping screw from the lower column cover.



33. Remove the lower column cover.



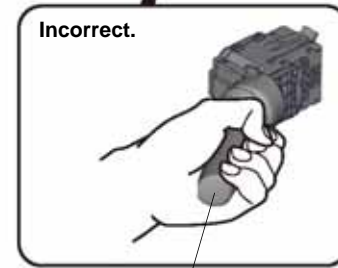
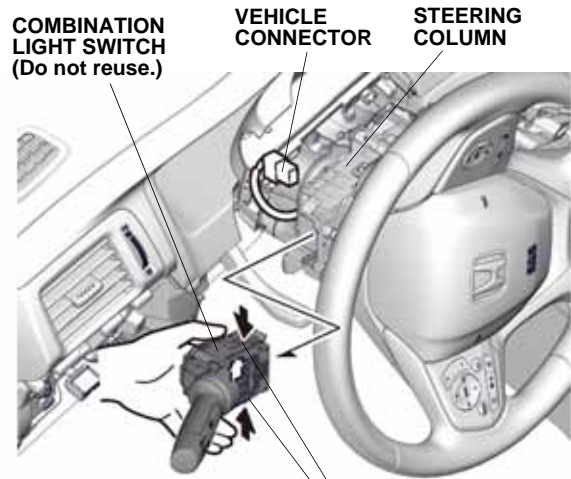
LOWER COLUMN COVER

SELF-TAPPING SCREW

QH40908AX

34. Turn the ignition to OFF, then disconnect the negative cable from the battery.

35. Unplug the vehicle connector from the combination light switch.



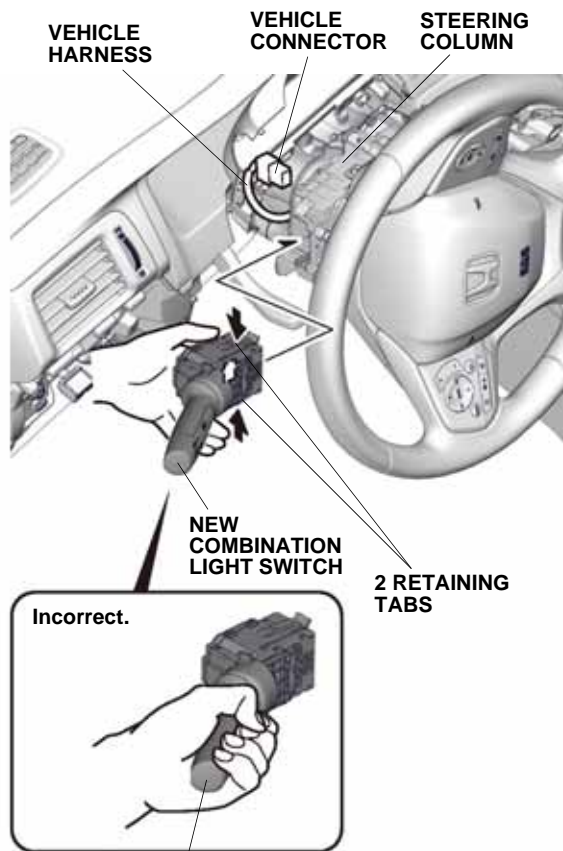
Do not pull on the lever.

QH40909AX

36. Push in on the two retaining tabs, slide the combination light switch out, and remove it from the steering column.  
NOTE: Do not pull on the lever.

37. Install the new combination light switch to the steering column. Make sure both retaining tabs are locked in place.

NOTE: Do not pull on the lever.



Do not push on the lever.

GH40910AX

38. Plug the vehicle connector into the new combination light switch. Make sure the vehicle harness is not being stretched.
39. Check that all wire harnesses are routed properly and all connectors are plugged in.
40. Install all removed parts except for the front bulkhead cover and the intake air tube.
41. Connect the negative cable to the battery.
42. Install the front bulkhead cover and the intake air tube.
43. Press and hold the audio unit power button for 2 seconds to restore the radio and navi (if equipped) system functions.
44. Set the clock on vehicles without navigation.
45. If necessary, restore the systems back to normal operation as described in the service information.

## Check the Operation of the Fog Lights

46. Turn the headlight switch to the AUTO or "D" position (headlights on low beam).
47. Turn on the fog light switch (indicator is on).
48. If the fog lights do not turn on, check the fuse and all the connectors, including the ground cable.

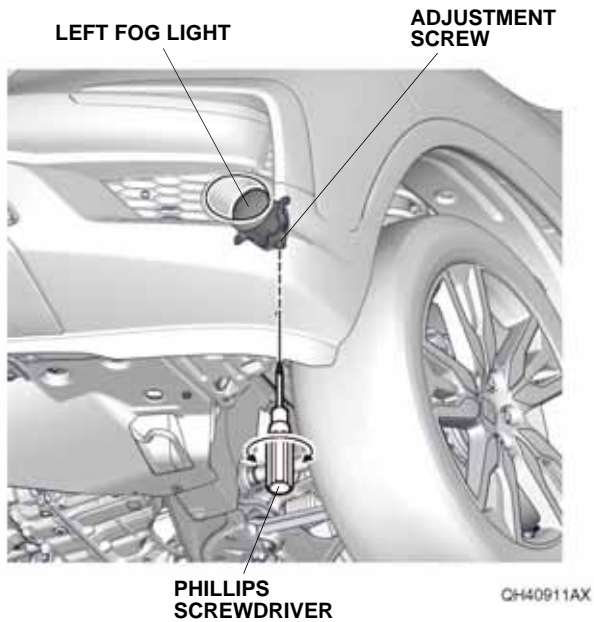
		HEADLIGHT SWITCH			
		OFF	☺	AUTO/☺	☺
				Low	High
FOG LIGHT SWITCH	OFF	-	-	-	-
	☺	-	-	ON	-

QD72302AG

NOTE: The fog light lenses may cloud when the outside temperature is cold; this is normal and should go away in warm weather.

## How to Aim the Fog Lights

49. Adjust the fog light aim by turning the adjustment screw in or out until the correct aim is obtained. Adjust the aim according to local laws and regulations.



## LED REPLACEMENT

NOTE: The LED bulb is a part of the fog light assembly, and it cannot be replaced by itself.