



## INSTALLATION INSTRUCTIONS

Accessory  
**CARGO NET**  
 P/N 08L96-TG7-100

Application  
**2020 PILOT**

Publications No.  
**VERSION 1**  
 Issue Date  
**JUL 2019**

### PARTS LIST

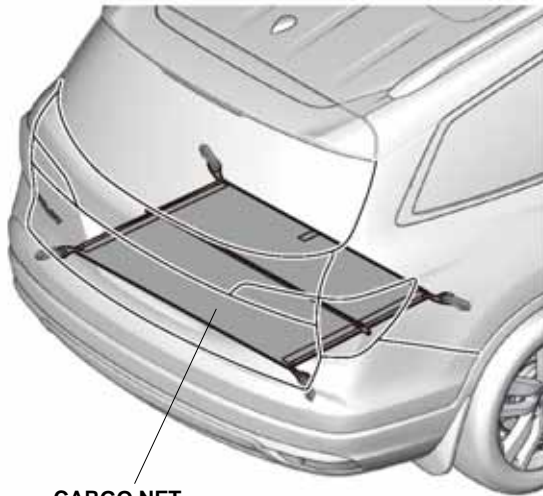
Cargo net



4 Snaps



### Illustration of the Cargo Net in the Vehicle



CARGO NET

QDN1005AG

### INSTALLATION

**Customer Information:** The information in this installation instruction is intended for use only by skilled technicians who have the proper tools, equipment, and training to correctly and safely add equipment to your vehicle. These procedures should not be attempted by “do-it-yourselfers.”

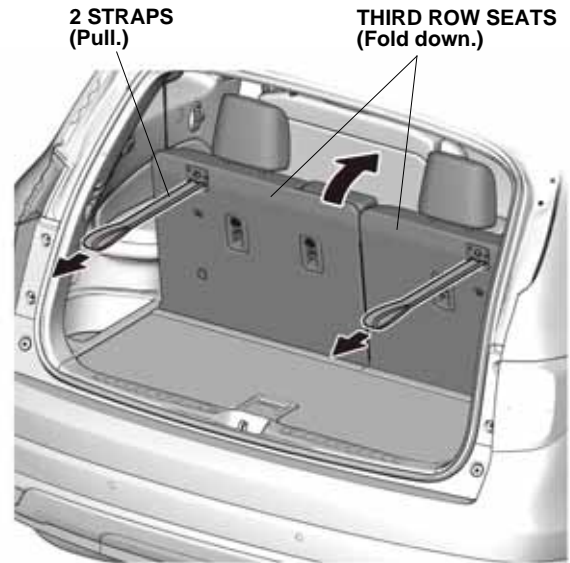
NOTE: Be careful not to damage the body.

#### Installing the Cargo Net

The cargo net can be installed in two positions.

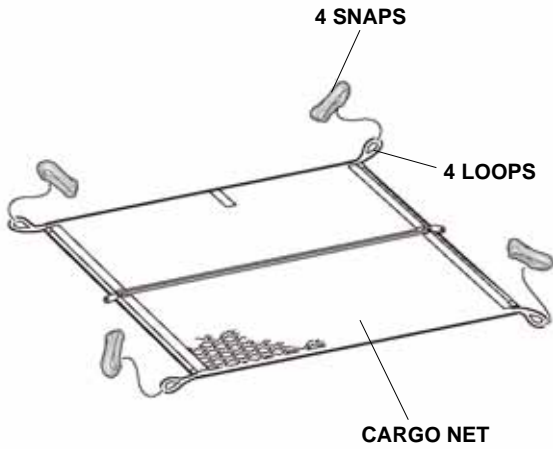
#### Horizontal Position:

- Pull each strap, and fold down the left and right third row seats.



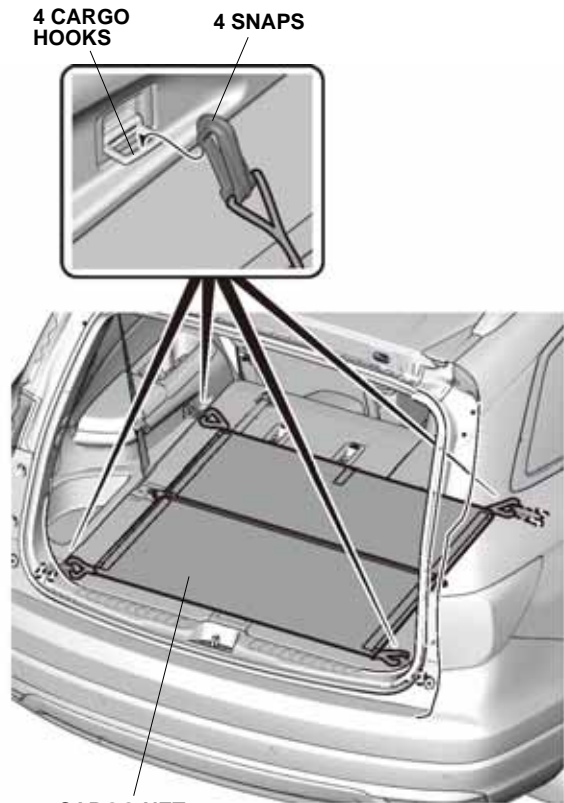
QDN0702AC

- Attach four snaps to the cargo net at the loops shown.



QDN1001AG

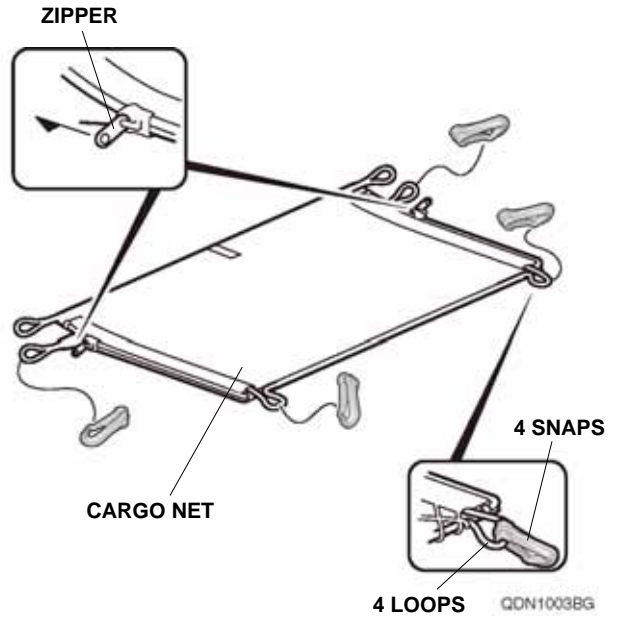
- Attach four snaps from the cargo net to the cargo hooks shown.



QDN1002AG

## Vertical Position:

- Fold the cargo net in half, and zip up the zipper on each side. Attach four snaps to the cargo net at the loops shown.



QDN1003BG

- Attach two loops from the cargo net to the two hooks.  
Attach two upper snaps into the attached two loops.  
Attach two lower snaps from the cargo net to two cargo hooks.

