



## INSTALLATION INSTRUCTIONS

Accessory  
**REAR WELCOME LIGHTS**  
 P/N 08V27-TG7-100A

Application  
**2019 PILOT**

Publications No.  
**VERSION 1**  
 Issue Date  
**JUN 2018**

### PARTS LIST

Right light  
 (Identification mark: RH)



Left light  
 (Identification mark: LH)



Welcome light harness  
 (May not be used)



Subharness



Right trim  
 (Identification mark: RH)



Left trim  
 (Identification mark: LH)



Right bracket  
 (Identification mark: RH)



Left bracket  
 (Identification mark: LH)



Right retainer  
 (Identification mark: RH)



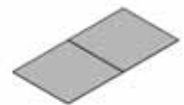
Left retainer  
 (Identification mark: LH)



9 Wire ties  
 (Some may not be used)



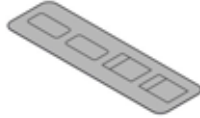
3 Aluminum tapes



Urethane tape  
(May not be used)



Fuse label



Connector clip  
(May not be used)



2 Self-tapping screws



2 Clips A  
(long)  
(Some may not be used)



Clip B  
(short)  
(May not be used)



3 Bolts



3 Spring nuts



## TOOLS AND SUPPLIES REQUIRED

Phillips screwdriver

Scissors

10 mm Open end wrench

10 mm Socket

Ratchet

5 mm Hex wrench

Blanket

Isopropyl alcohol

Shop towel

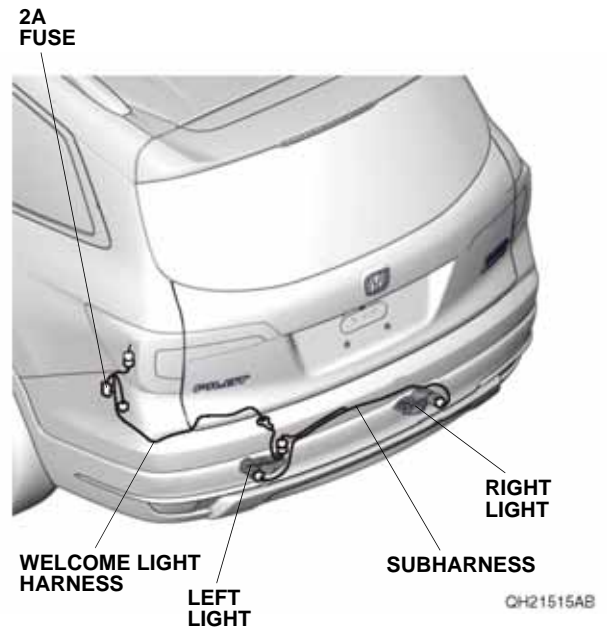
Masking tape

Diagonal cutters

*The following tools are available through the Honda Tool and Equipment Program. On the iN, click on Service > Service Bay > Tool and Equipment Program, then enter the number under "Search." Or, call 888-424-6857.*

- Trim Tool Set (T/N SOJATP2014)
- Plastic Trim Tool (T/N SILTRIMTL10)

## Illustration of the Rear Welcome Lights on the Vehicle



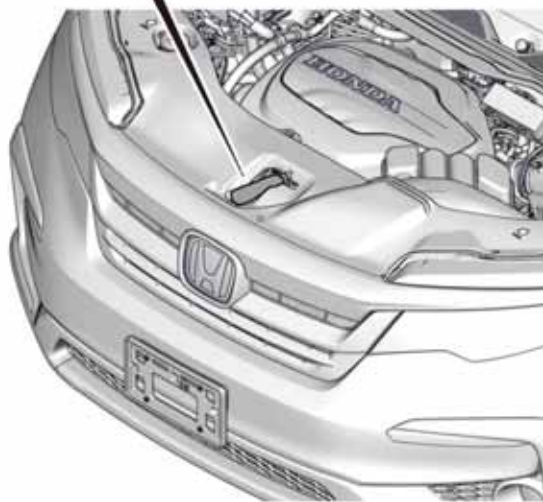
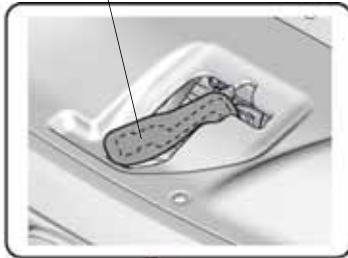
## INSTALLATION

**Customer Information:** The information in this installation instruction is intended for use only by skilled technicians who have the proper tools, equipment, and training to correctly and safely add equipment to your vehicle. These procedures should not be attempted by “do-it-yourselfers.”

**NOTE:** If installing backup sensors kit, install the backup sensors kit first.

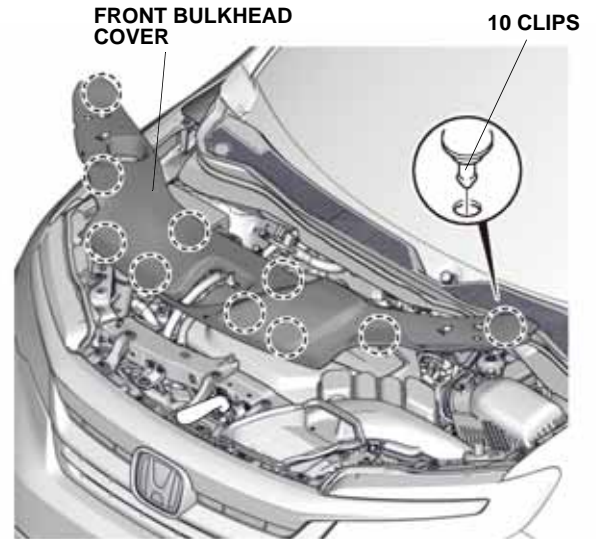
1. Open the tailgate.
2. Disconnect the negative cable from the battery:
  - Wrap a shop towel around the hood latch.

**HOOD LATCH**  
(Wrap with a shop towel.)



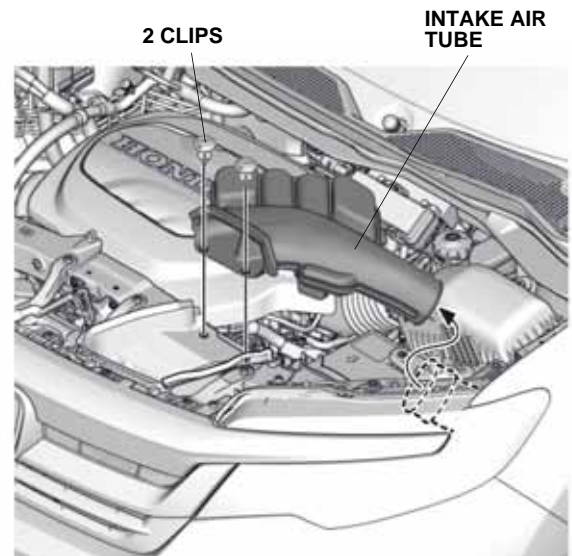
QH21201AB

- Remove the front bulkhead cover.



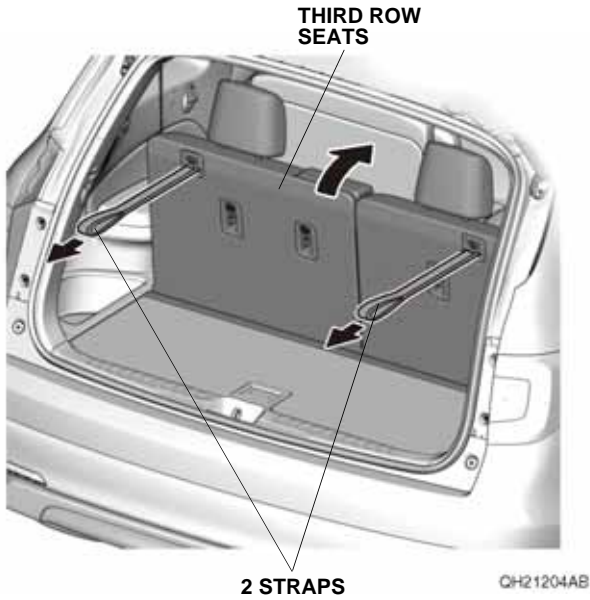
QH21202AB

- Remove the intake air tube.
- Disconnect the negative cable from the battery.

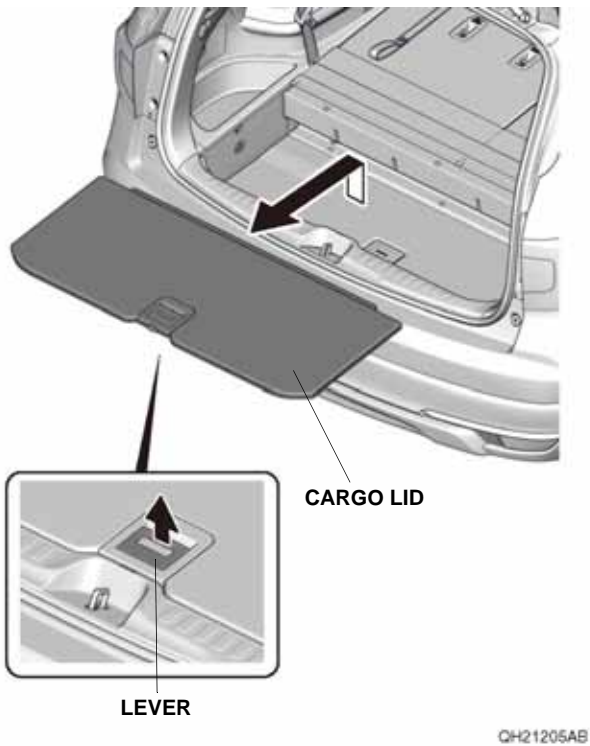


QH21203AB

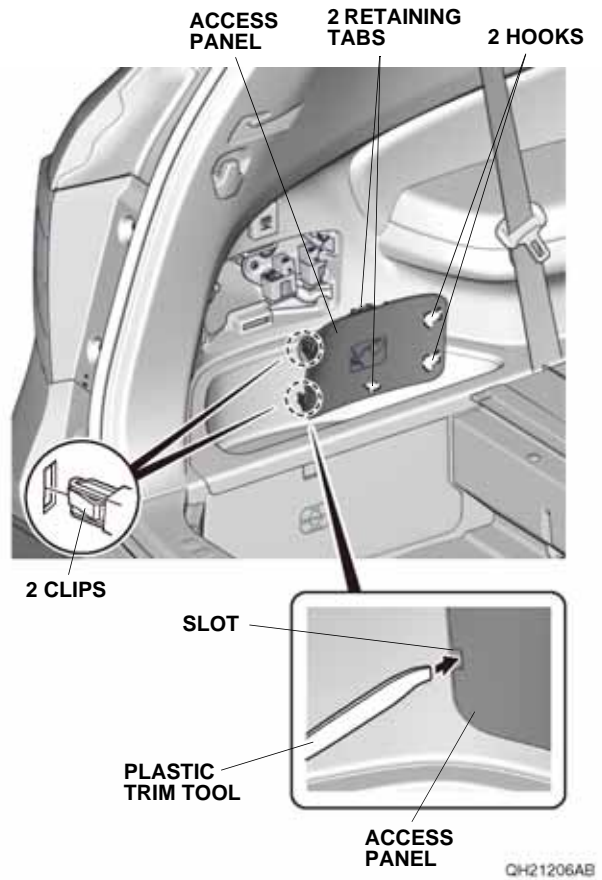
3. Pull each strap, and fold down the third row seats.



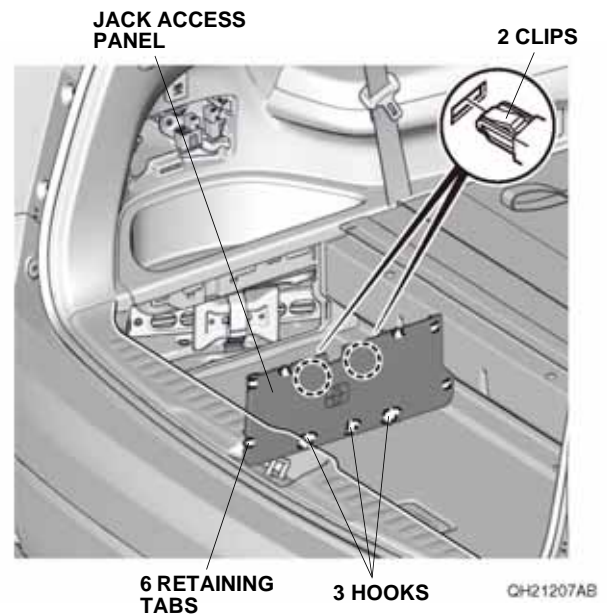
4. Remove the cargo lid.



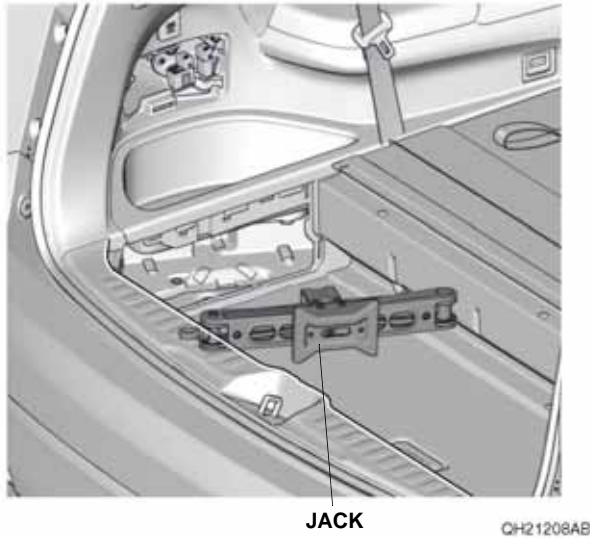
5. Using a plastic trim tool, and remove the access panel.



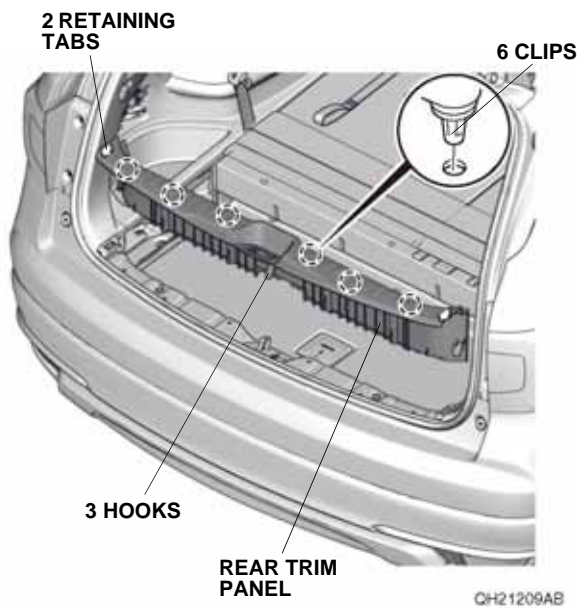
6. Remove the jack access panel.



7. Remove the jack.



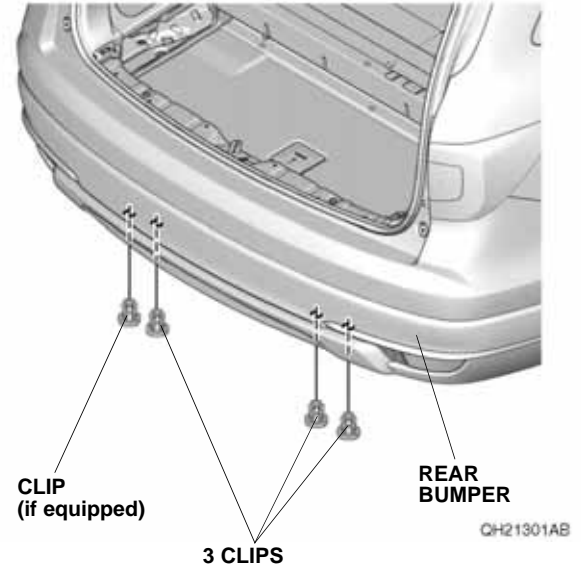
8. Remove the rear trim panel.



If the vehicle is equipped with accessory backup sensors, go to step 10; otherwise, continue with step 9.

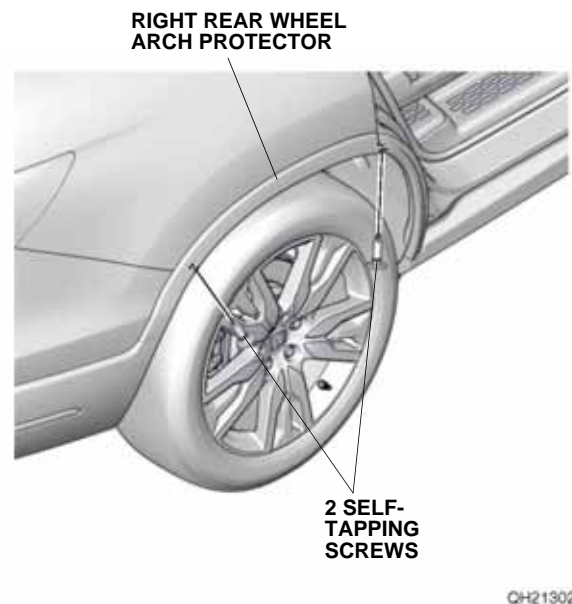
### Without accessory backup sensors

9. Remove the three clips. If the vehicle is equipped with the standard hands-free access power tailgate or accessory hands-free access power tailgate (without accessory trailer hitch), remove the four clips. Go to step 15.



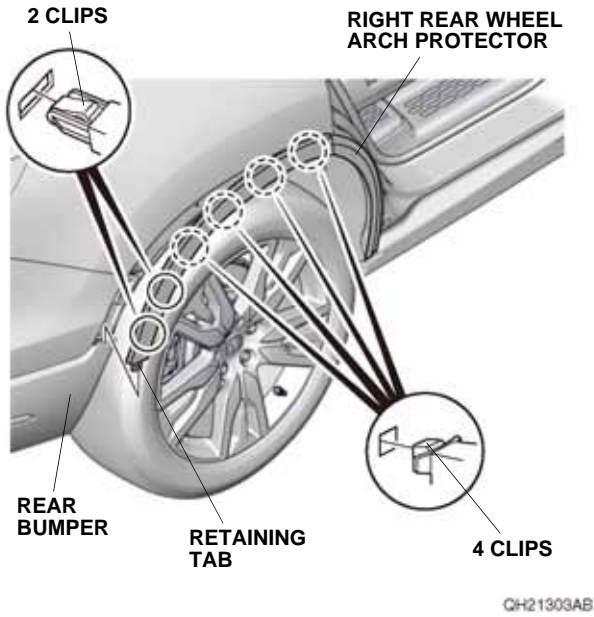
### With accessory backup sensors

10. Open the right rear door.



11. Remove the two self-tapping screws.

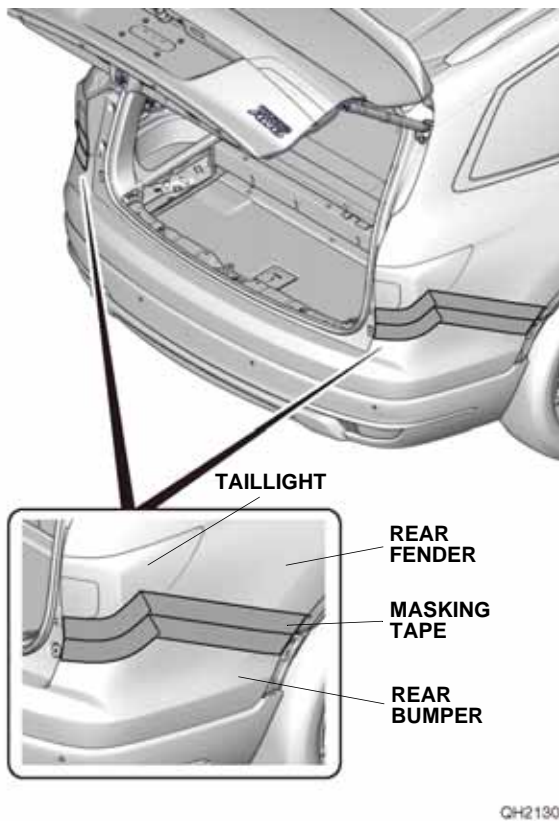
12. Release the right rear wheel arch protector.



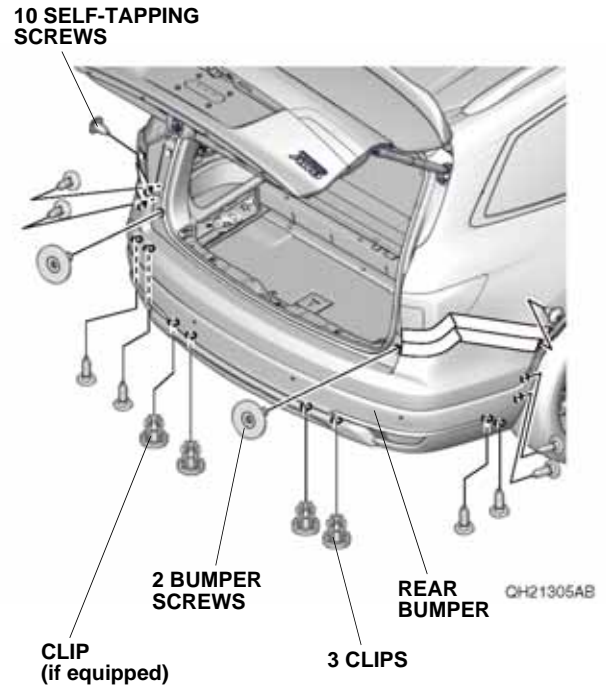
13. Repeat steps 10 through 12 on the left side of the vehicle.

14. Remove the rear bumper:

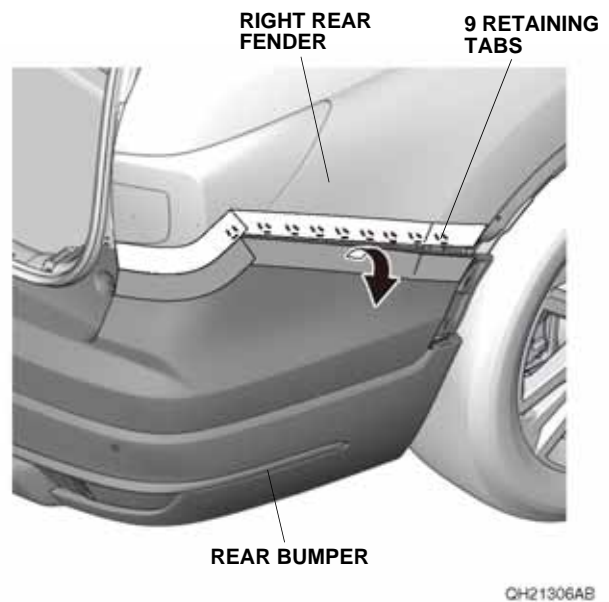
- Apply masking tape as shown.



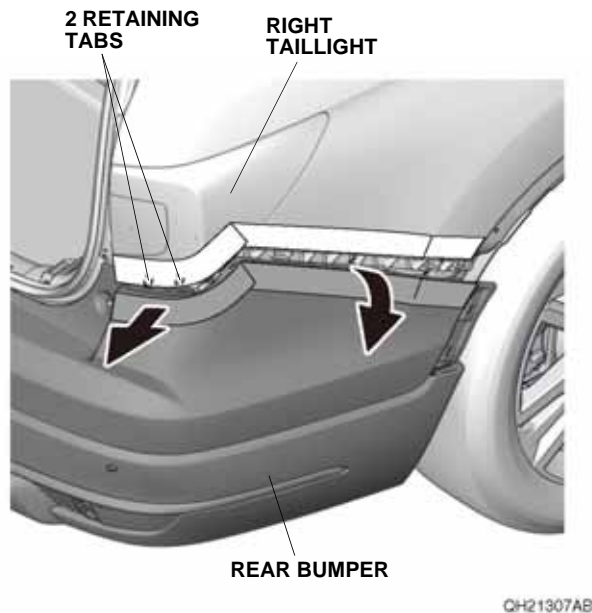
- Remove the two bumper screws, 10 self-tapping screws, and three clips. If the vehicle is equipped with the standard hands-free access power tailgate or accessory hands-free access power tailgate (without accessory trailer hitch), remove the two bumper screws, 10 self-tapping screws, and four clips.



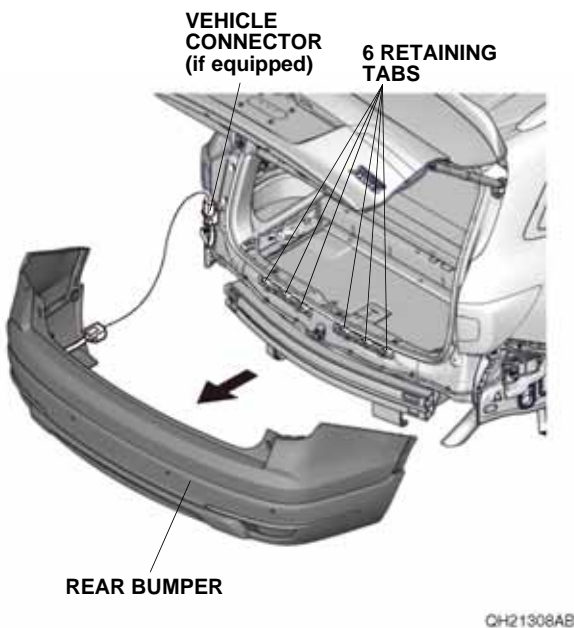
- With the help of an assistant, release the nine retaining tabs along the fenderwell on each side.



- With the help of an assistant, release the two retaining tabs on each side.



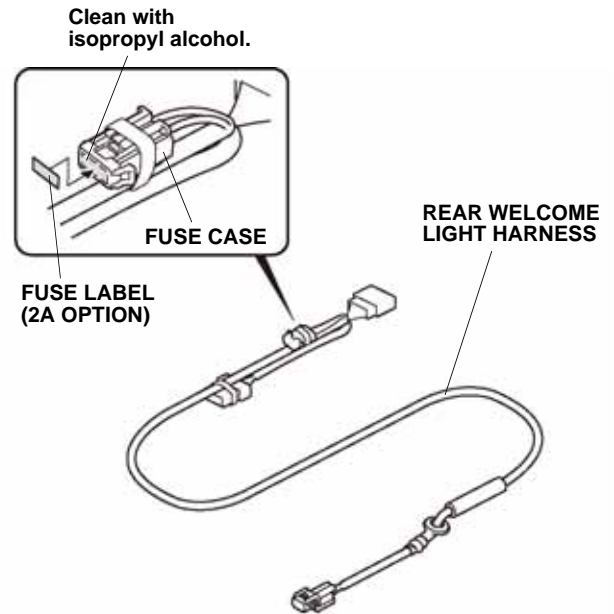
- With the help of an assistant, remove the rear bumper and unplug the vehicle connector (if equipped).
- Place the rear bumper on a blanket.



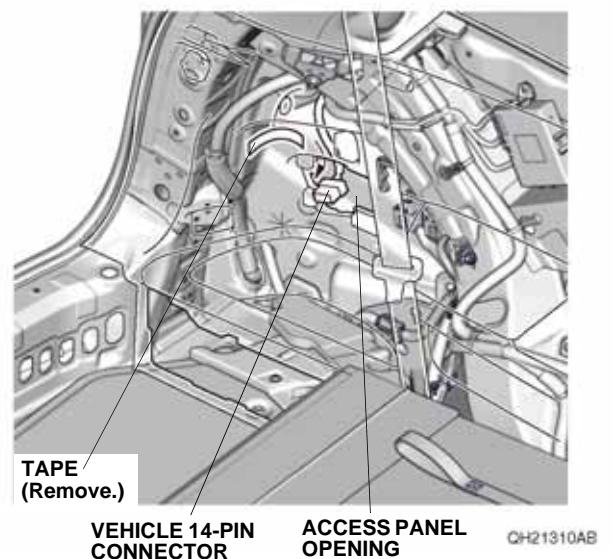
If the vehicle is equipped with accessory backup sensors, go to step 28; otherwise, continue with step 15.

### Without accessory backup sensors

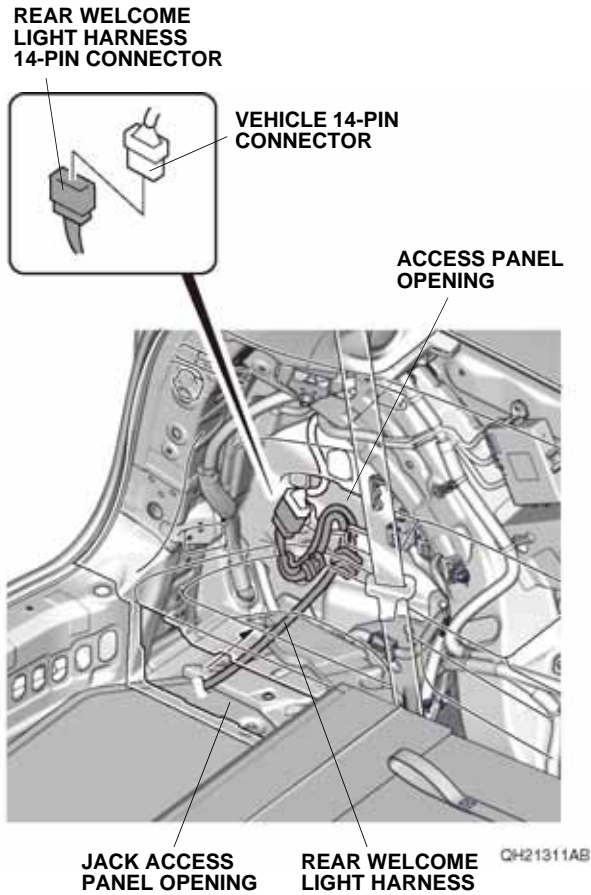
- Using isopropyl alcohol on a shop towel, thoroughly clean the fuse case where the fuse label will attach. Attach the fuse label (2A OPTION) to the fuse case on the rear welcome light harness.



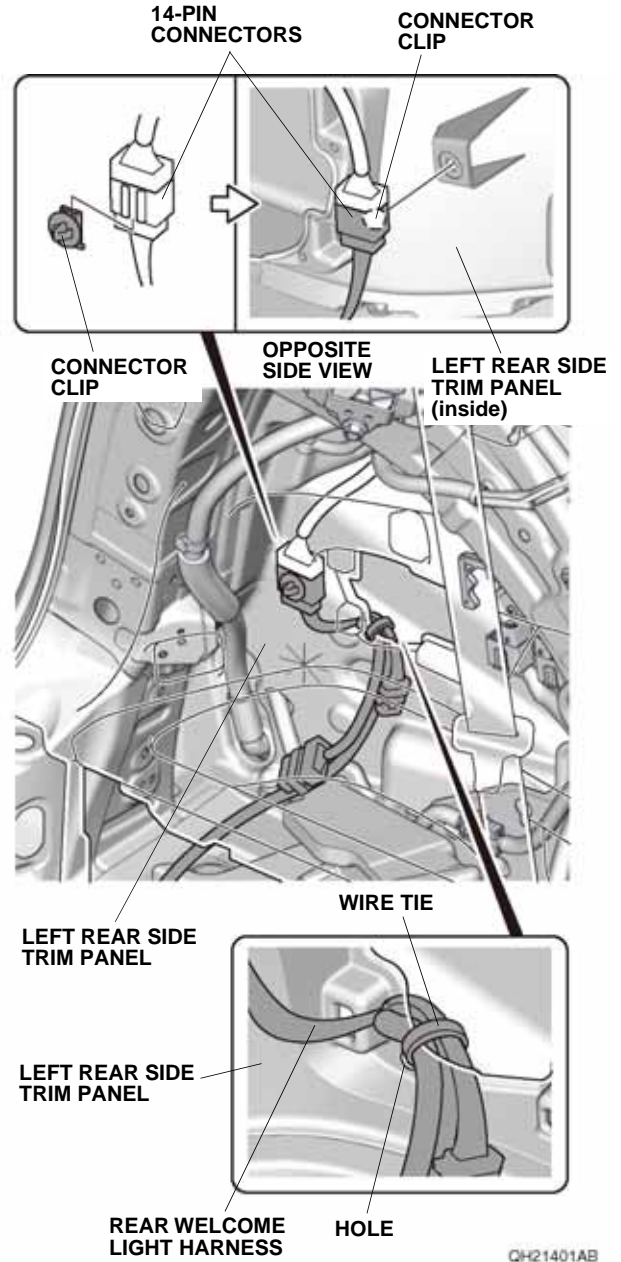
- Remove the tape to free the vehicle 14-pin connector, and pull it as shown. If the vehicle is equipped with accessory hands-free access power tailgate or accessory trailer harness, plug and secure the 14-pin connector as described in each installation instructions.



- Route the rear welcome light harness, and plug the vehicle 14-pin connector into the rear welcome light harness 14-pin connector.



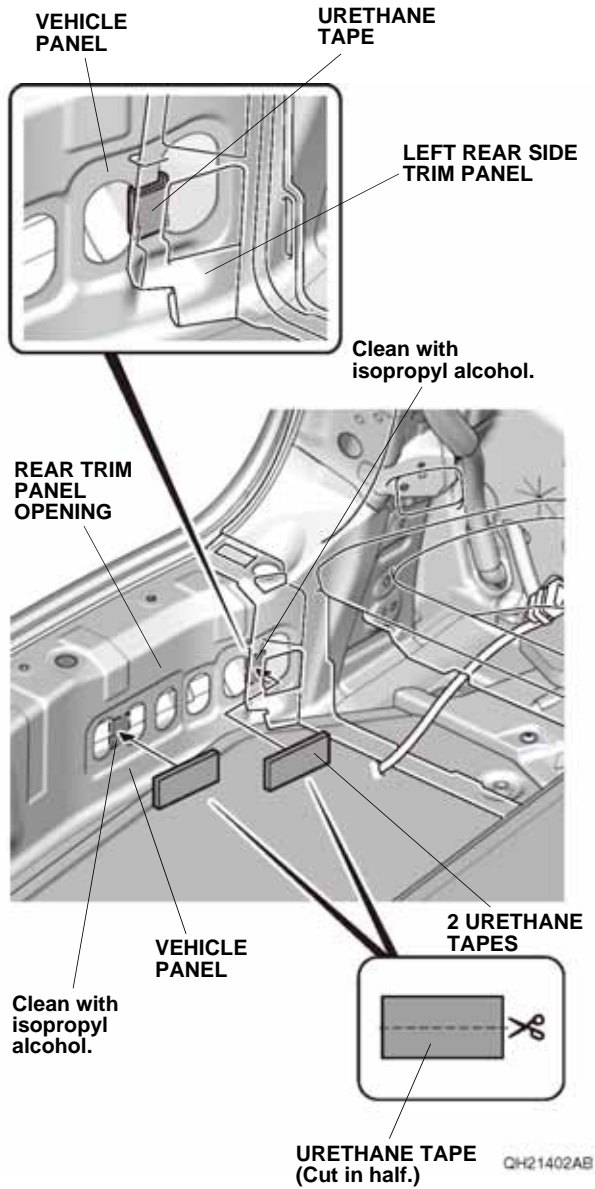
- Install the connector clip to the 14-pin connectors. Secure the 14-pin connectors to the left rear side trim panel with the connector clip on the 14-pin connectors.



- Secure the rear welcome light harness to the left rear side trim panel with one wire tie as shown.

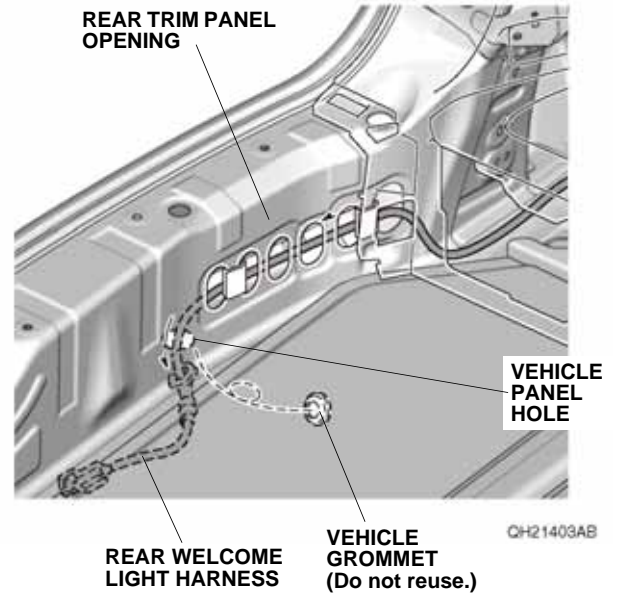


20. Using isopropyl alcohol on a shop towel, thoroughly clean the vehicle panel where the urethane tape will attach.



21. Using scissors, cut one urethane tape in half, and attach them to the vehicle panel as shown.

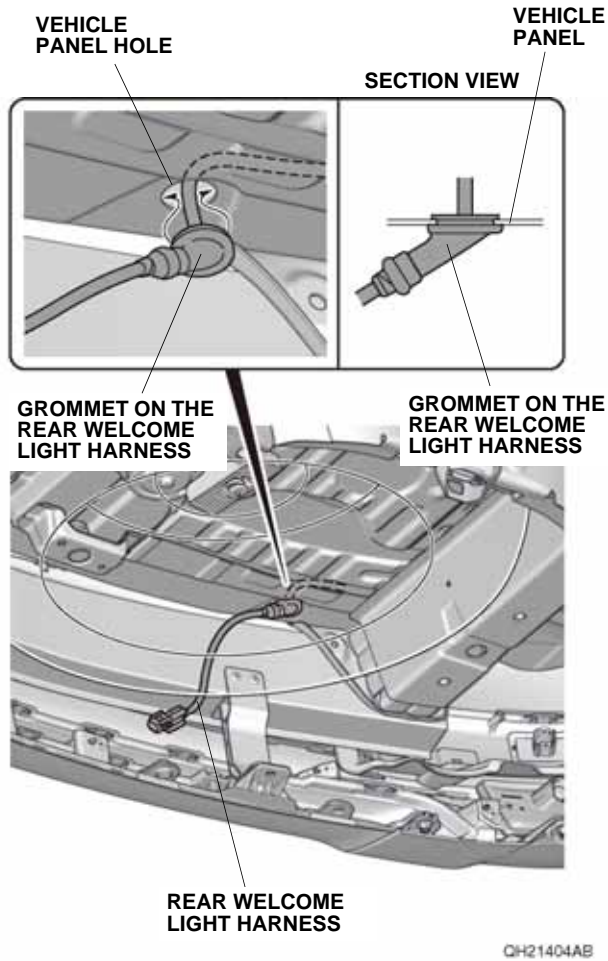
22. Remove the vehicle grommet. Route the rear welcome light harness through the vehicle panel hole as shown.



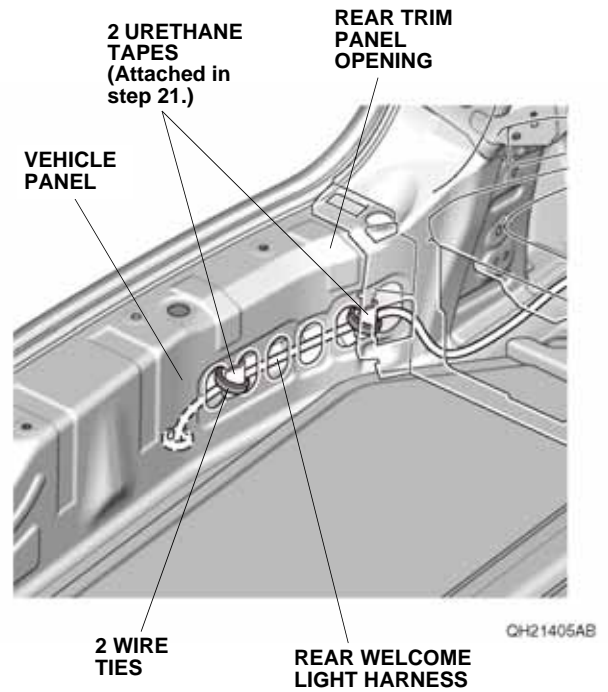
23. Secure the grommet on the rear welcome light harness to the vehicle panel hole.

NOTE:

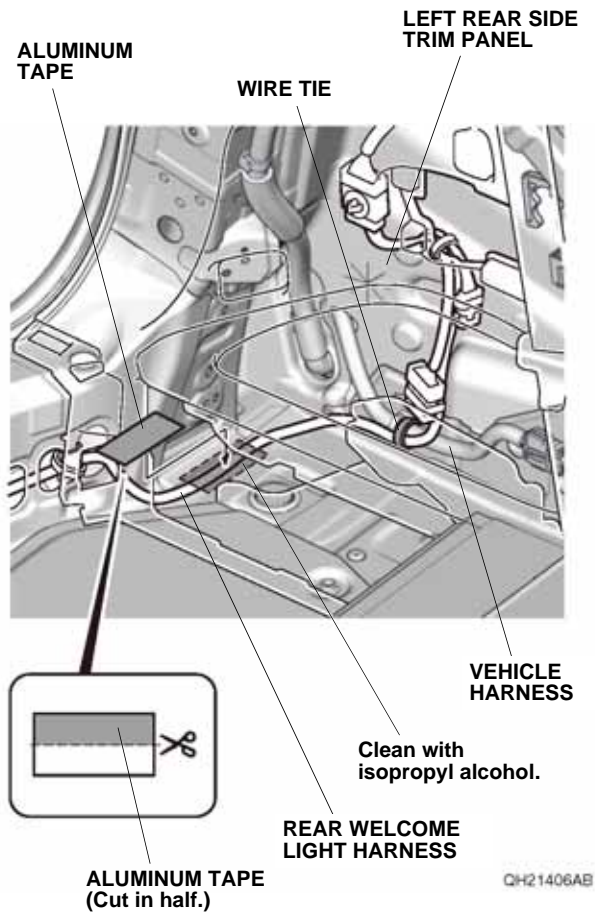
- Install the rear welcome light harness by holding the grommet.
- Make sure the grommet is seated properly.



24. Secure the rear welcome light harness to the vehicle panel with two wire ties as shown.

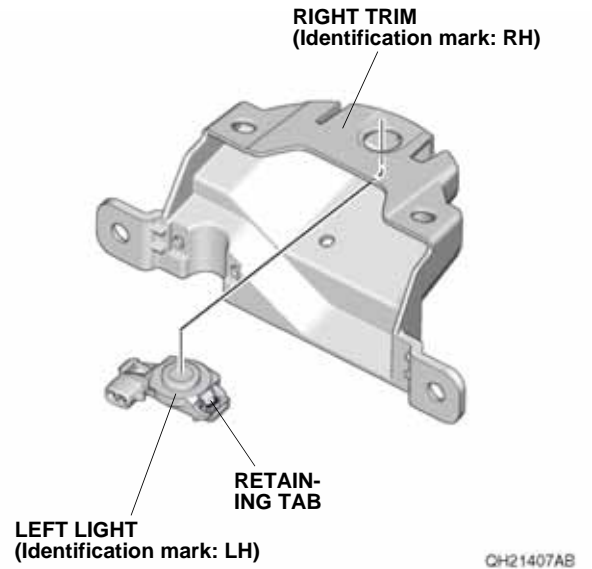


25. Using isopropyl alcohol on a shop towel, thoroughly clean the vehicle panel where the aluminum tape will attach.

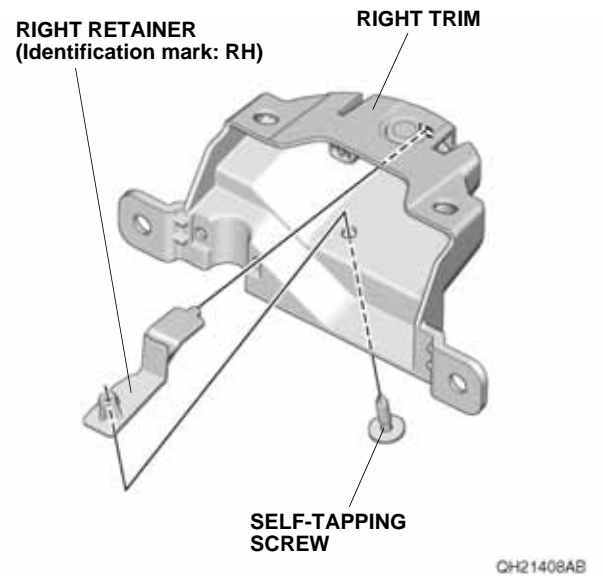


26. Using scissors, cut one aluminum tape in half, and secure the rear welcome light harness to the vehicle panel with one piece of aluminum tape as shown.
27. Secure the rear welcome light harness to the vehicle harness with one wire tie.

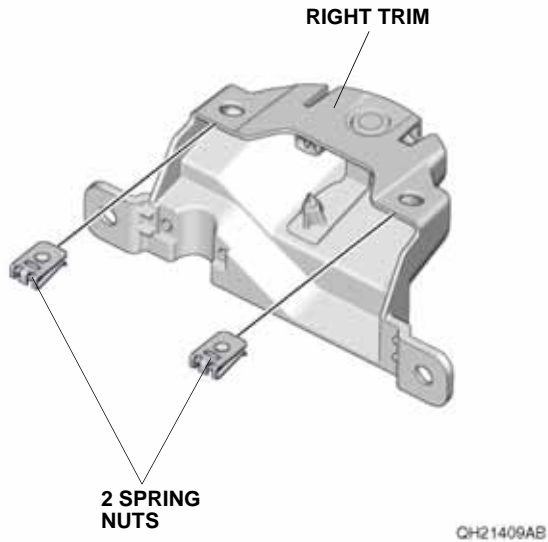
28. Install the left light to the right trim.  
NOTE: Make sure to check the identification marks before installation.



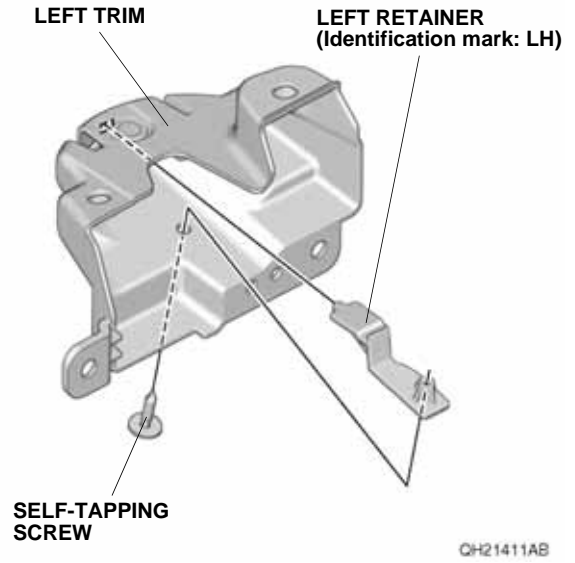
29. Install the right retainer to the right trim.  
NOTE: Make sure to check the identification mark before installation.



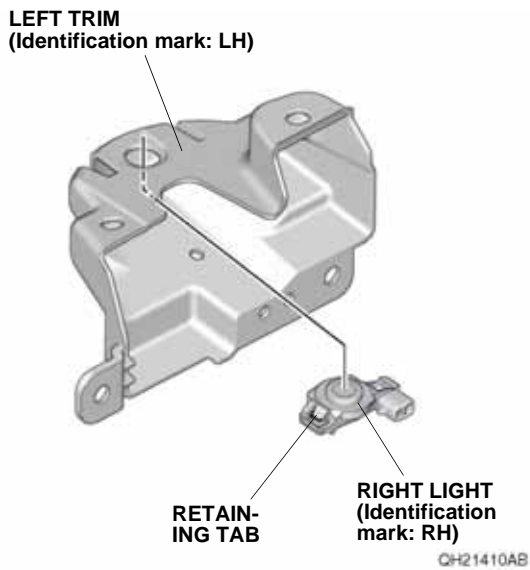
30. Install the two spring nuts to the right trim.  
NOTE: Make sure to install the two spring nuts in the correct orientation.



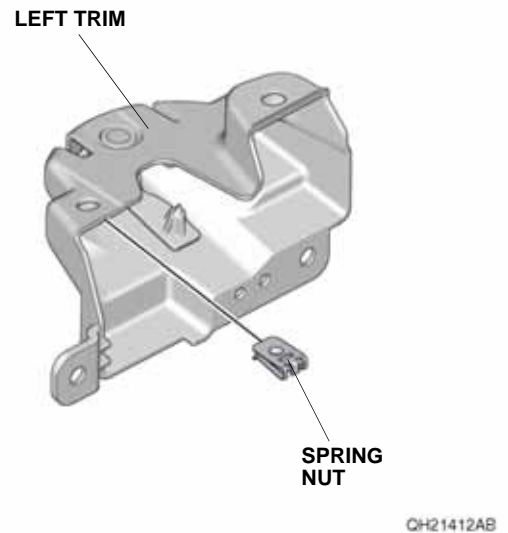
32. Install the left retainer to the left trim.  
NOTE: Make sure to check the identification mark before installation.



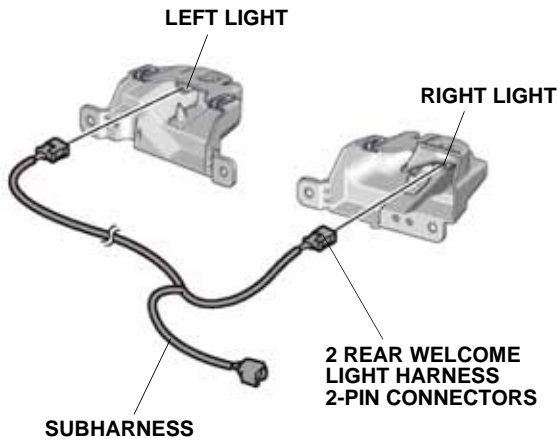
31. Install the right light to the left trim.  
NOTE: Make sure to check the identification marks before installation.



33. Install the spring nut to the left trim.  
NOTE: Make sure to install the spring nut in the correct orientation.

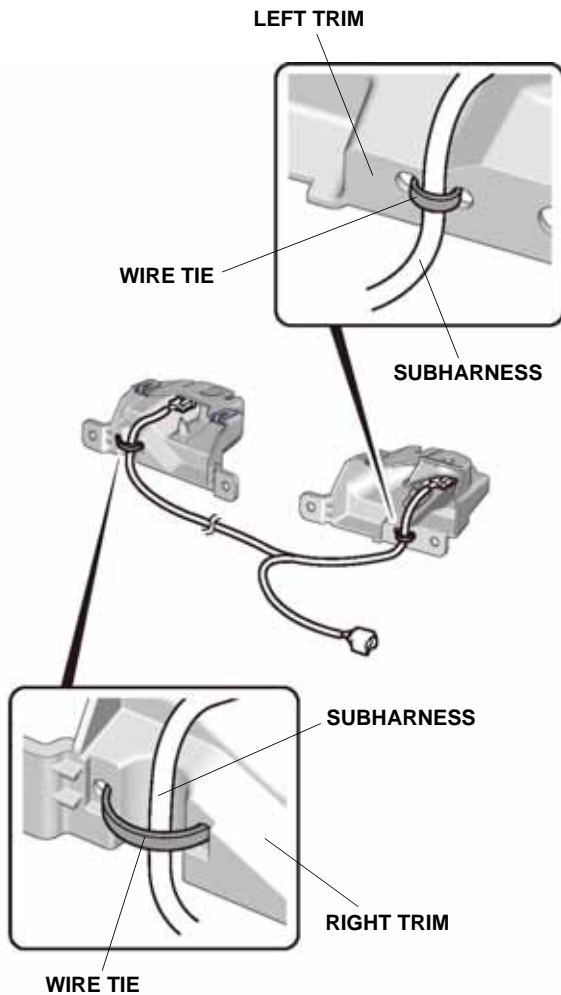


34. Plug the two subharness 2-pin connectors into the right light and left light.



QH21413AB

35. Secure the subharness to the right and left trims with two wire ties as shown.

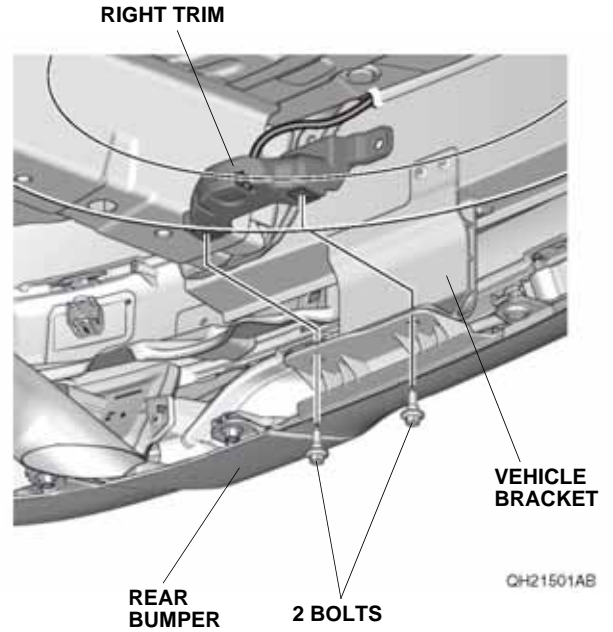


QH21414AB

If the vehicle is equipped with accessory backup sensors, go to step 47; otherwise, continue with step 36.

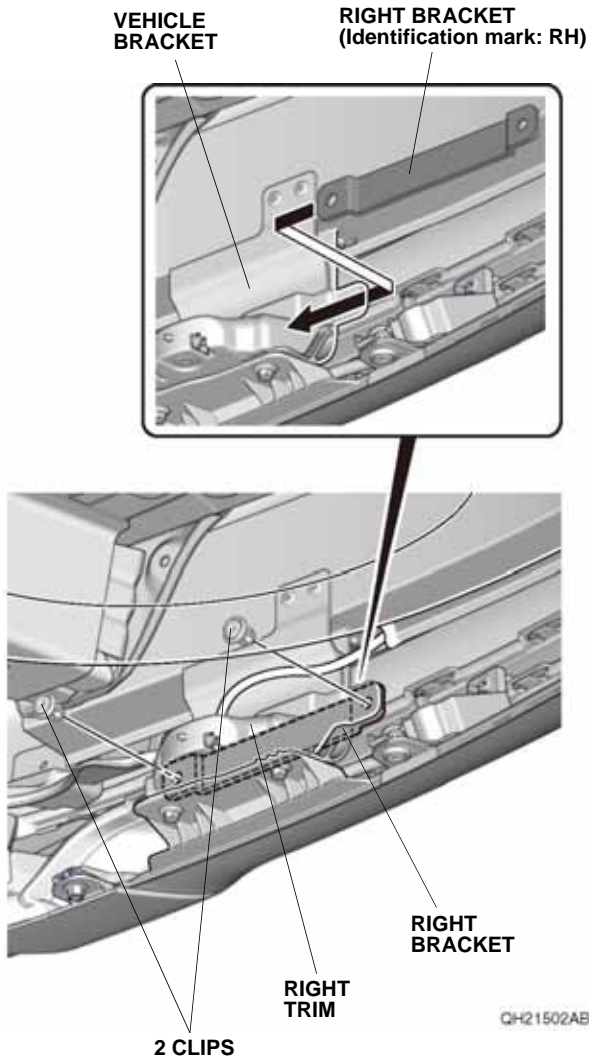
### Without accessory backup sensors

36. Install the right trim to the rear bumper with two bolts.



QH21501AB

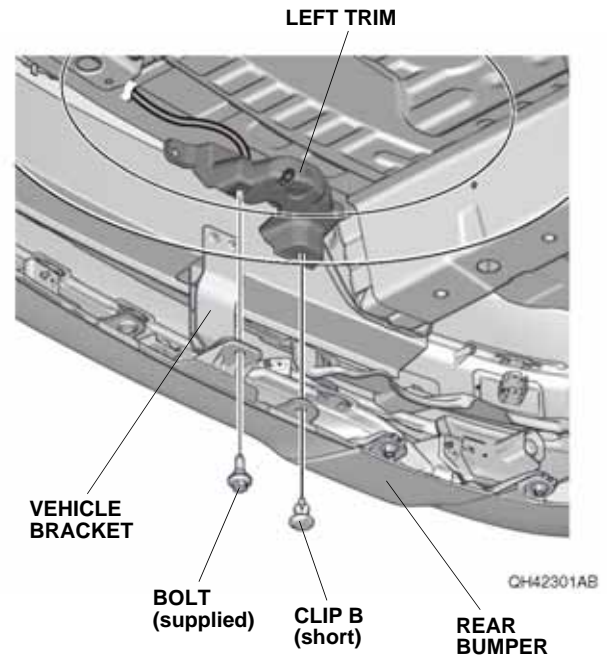
37. Install the right bracket to the right trim with two clips removed in step 9.  
NOTE: Make sure to check the identification mark before installation.



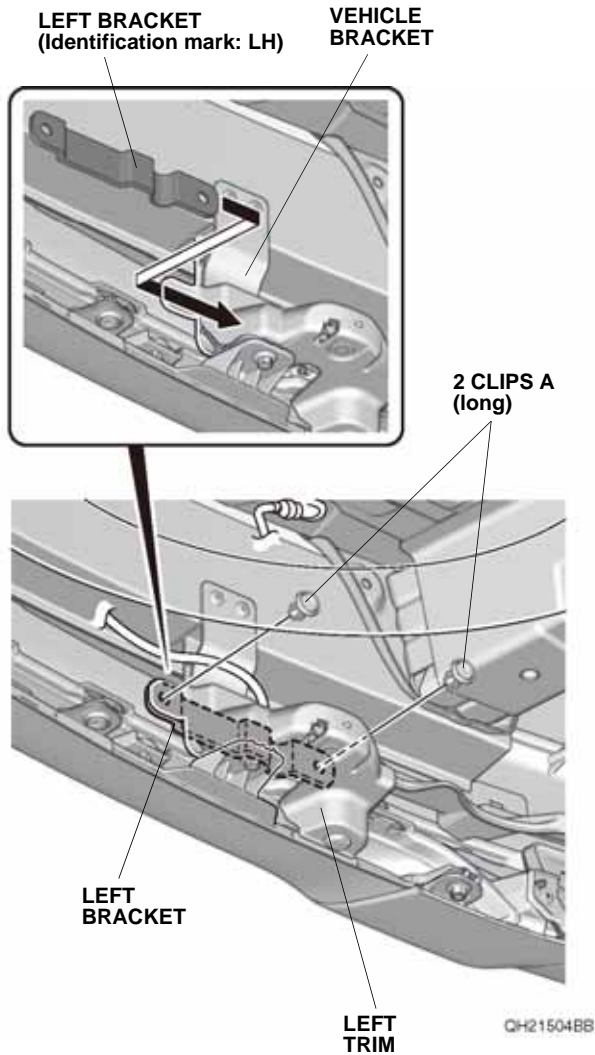
If the vehicle is equipped with standard hands-free access power tailgate or accessory hands-free access power tailgate (without accessory trailer hitch), go to step 40; otherwise, continue with step 38.

Without standard hands-free access power tailgate or accessory hands-free access power tailgate (without accessory trailer hitch)

38. Install the left trim to the rear bumper with one bolt and one clip B (short).

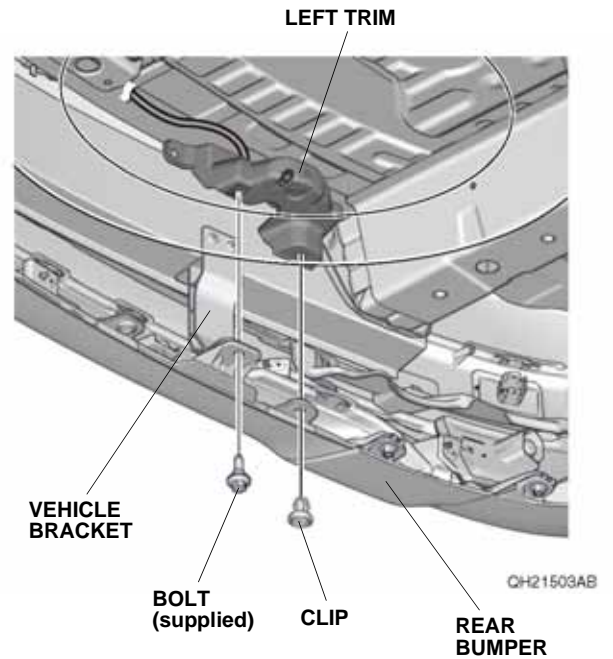


39. Install the left bracket to the left trim with two clips A (long). Go to step 42.  
NOTE: Make sure to check the identification mark before installation.

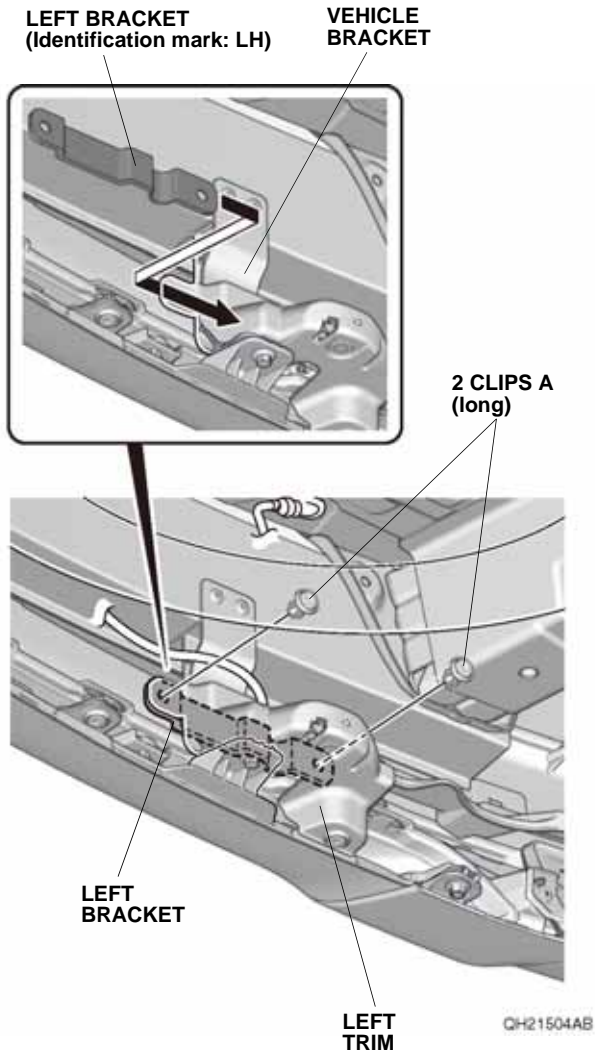


## With standard hands-free access power tailgate or accessory hands-free access power tailgate (without accessory trailer hitch)

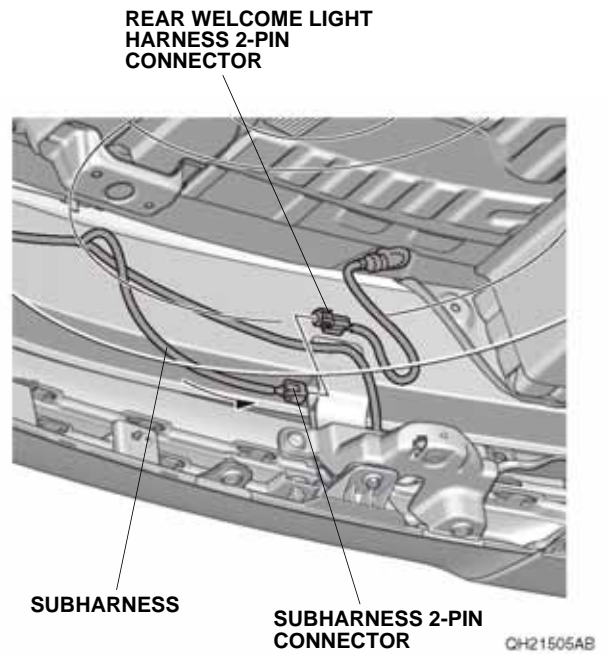
40. Install the left trim to the rear bumper with one bolt and one clip removed in step 9.



41. Install the left bracket to the left trim with two clips A (long).  
NOTE: Make sure to check the identification mark before installation.

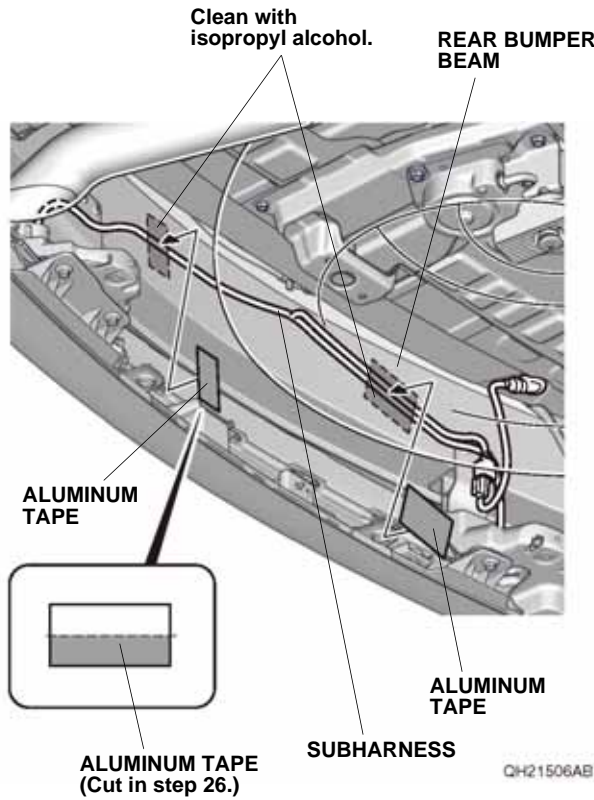


42. Route the subharness. Plug the rear welcome light harness 2-pin connector into the subharness 2-pin connector.

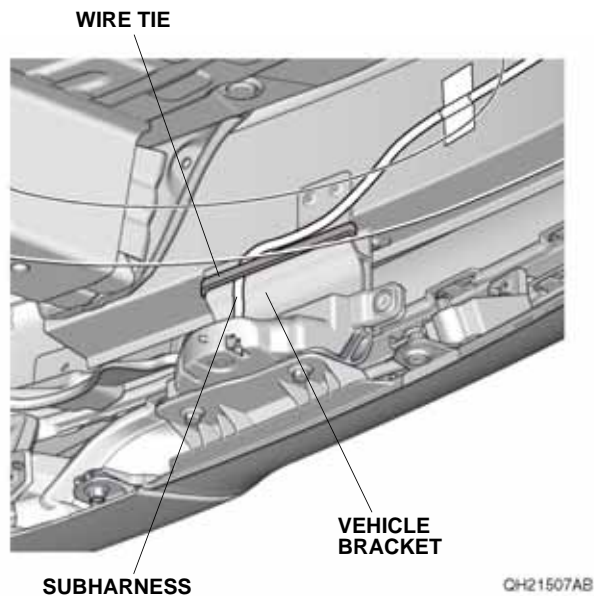




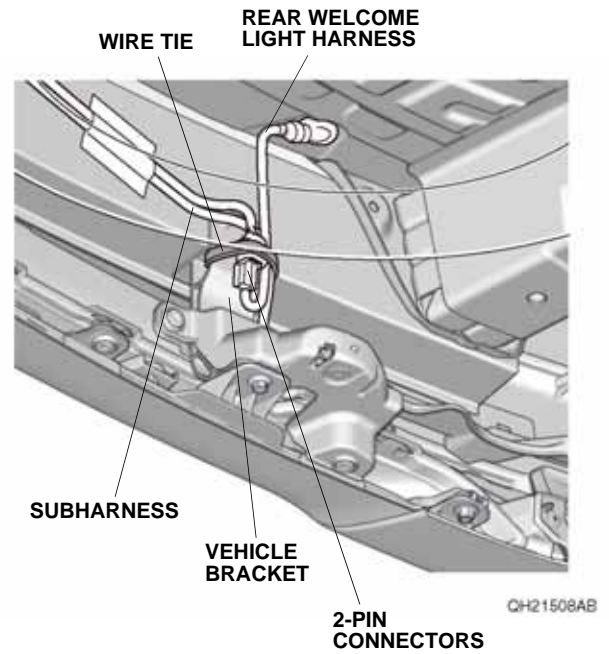
43. Using isopropyl alcohol on a shop towel, thoroughly clean the rear bumper beam where the aluminum tape will attach.



44. Secure the subharness to the rear bumper beam with one aluminum tape and the piece of aluminum tape cut in step 26 as shown.
45. Secure the subharness to the vehicle bracket with one wire tie as shown.

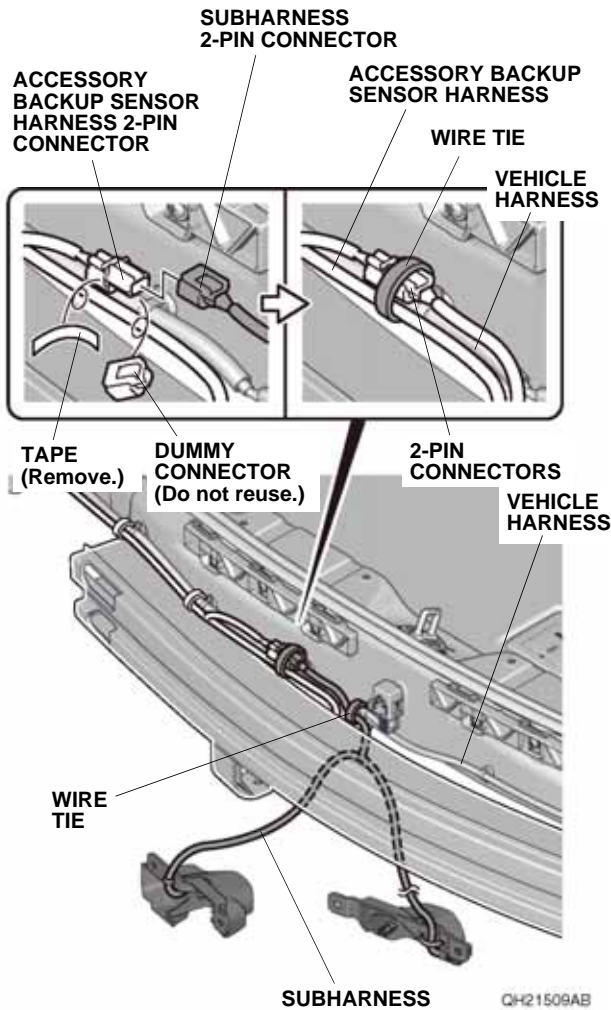


46. Secure the subharness, rear welcome light harness, and 2-pin connectors to the vehicle bracket with one wire tie as shown. Go to step 60.



## With accessory backup sensors

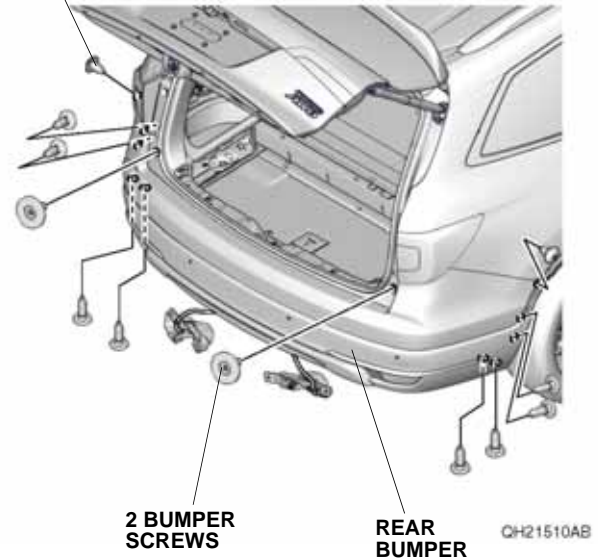
47. Remove the tape to free the accessory backup sensor harness 2-pin connector, and remove the dummy connector from the accessory backup sensor harness 2-pin connector.



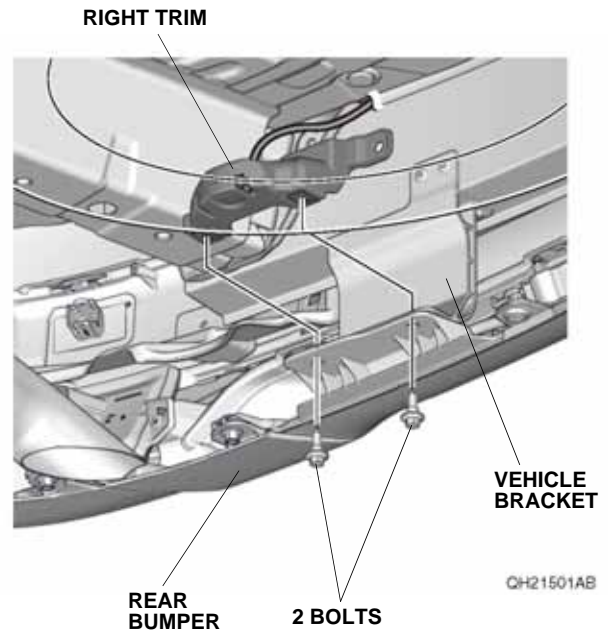
48. Plug the accessory backup sensor harness 2-pin connector into the subharness 2-pin connector.
49. Secure the 2-pin connectors, accessory backup sensor harness, and subharness to the vehicle harness with two wire ties.

50. With the help of an assistant, bring the rear bumper close to the vehicle. Install the rear bumper.

### 10 SELF-TAPPING SCREWS

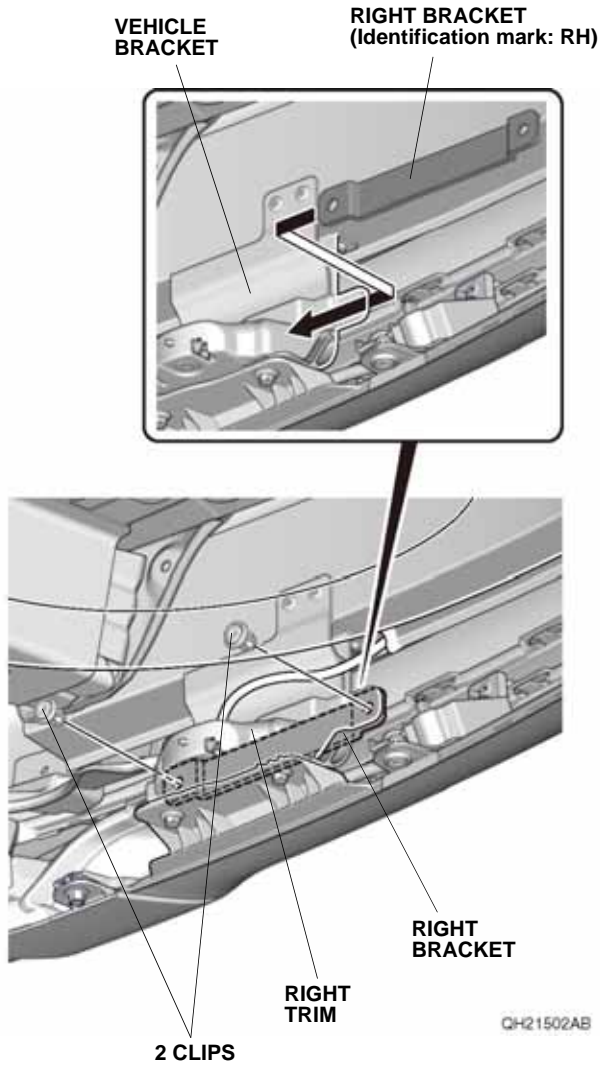


51. Install the right trim to the rear bumper with two bolts.



52. Install the right bracket to the right trim with the two clips removed in step 14.

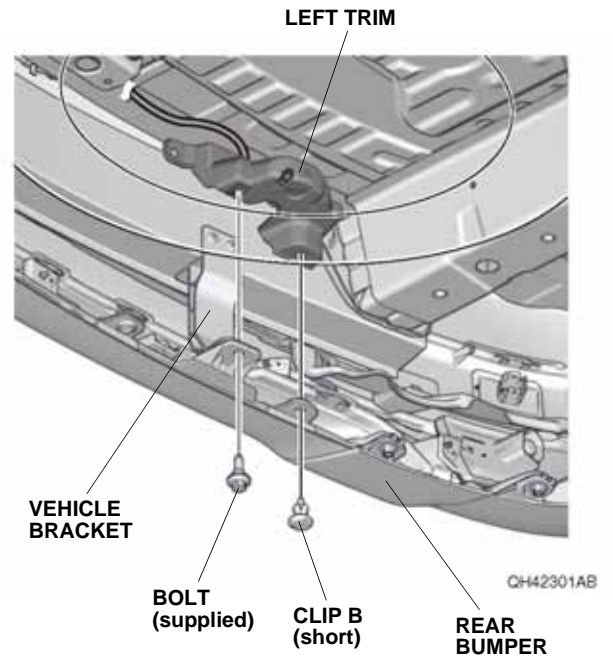
NOTE: Make sure to check the identification mark before installation.



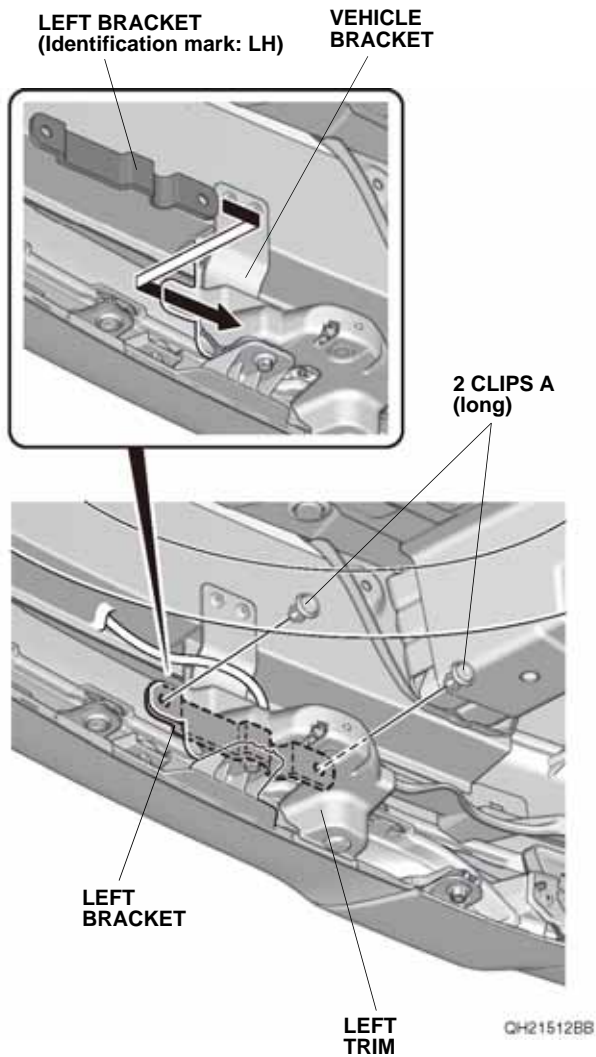
If the vehicle is equipped with standard hands-free access power tailgate or accessory hands-free access power tailgate (without accessory trailer hitch), go to step 55; otherwise, continue with step 53.

Without standard hands-free access power tailgate or accessory hands-free access power tailgate (without accessory trailer hitch)

53. Install the left trim to the rear bumper with one bolt and one clip B (short).

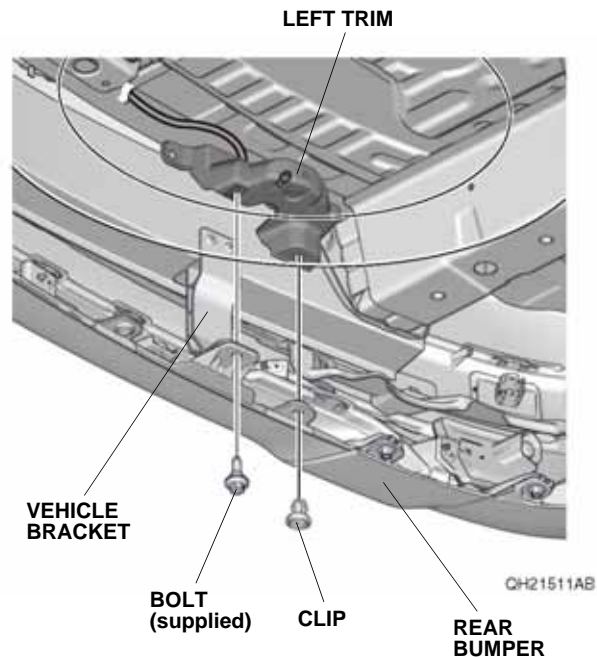


54. Install the left bracket to the left trim with two clips A (long). Go to step 57.  
NOTE: Make sure to check the identification mark before installation.

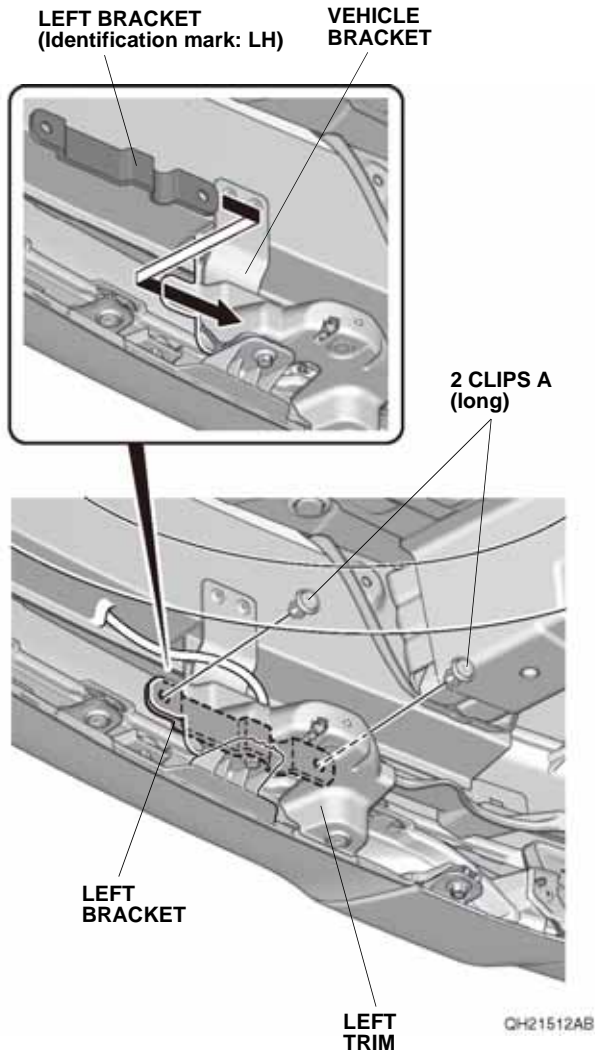


## With standard hands-free access power tailgate or accessory hands-free access power tailgate (without accessory trailer hitch)

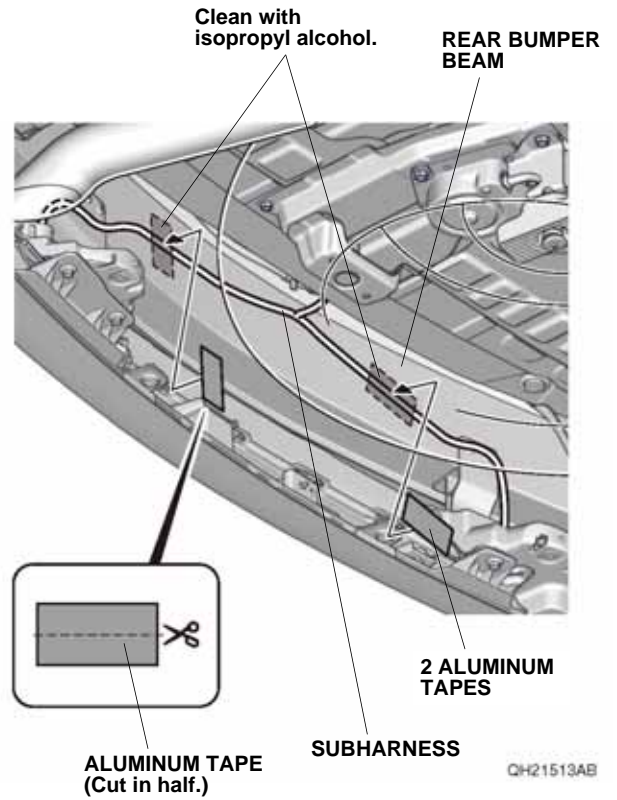
55. Install the left trim to the rear bumper with one bolt and one clip removed in step 14.



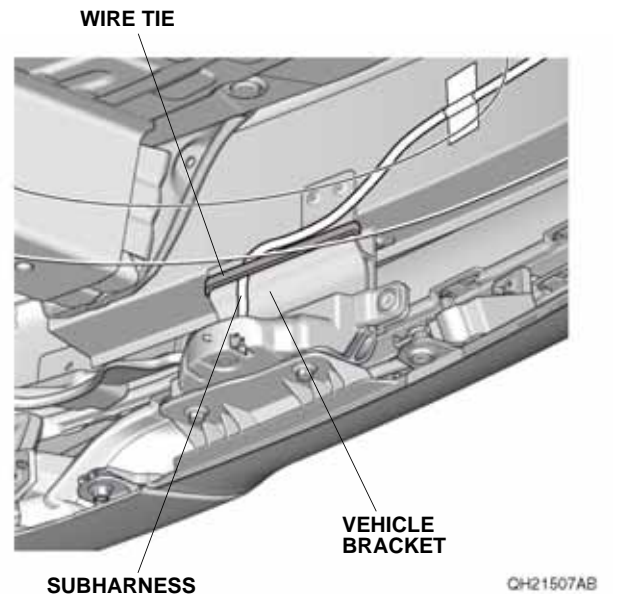
56. Install the left bracket to the left trim with two clips A (long).  
NOTE: Make sure to check the identification mark before installation.



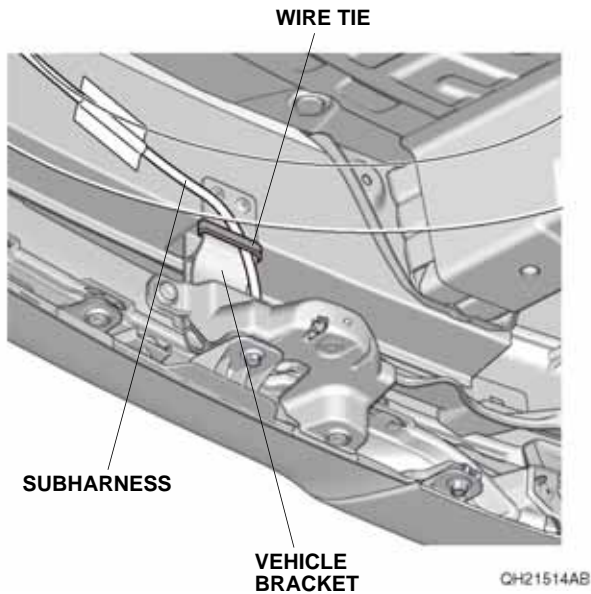
57. Using isopropyl alcohol on a shop towel, thoroughly clean the rear bumper beam where the aluminum tape will attach.



58. Using scissors, cut one aluminum tape in half, and secure the subharness to the rear bumper beam with two pieces of aluminum tape as shown.  
59. Secure the subharness to the vehicle bracket with one wire tie as shown.



60. Secure the subharness to the vehicle bracket with one wire tie as shown.



61. Check that all wire harnesses are routed properly and all connectors are plugged in.
62. Install all removed parts except for the front bulkhead cover and the intake air tube.
63. Connect the negative cable to the battery.
64. Install the front bulkhead cover and the intake air tube.
65. Press and hold the audio power button for 2 seconds to restore the audio and navi (if equipped) system functions.
66. Set the clock on vehicle without navigation.

### **Check the Operation of the Rear Welcome Lights**

67. Make sure the lights turn on when the tailgate is opened.
68. Make sure the lights turn on when Unlock is pushed on the remote or if the door is unlocked using the smart entry.
69. Make sure the lights turn off after the door has been closed for a period of time.